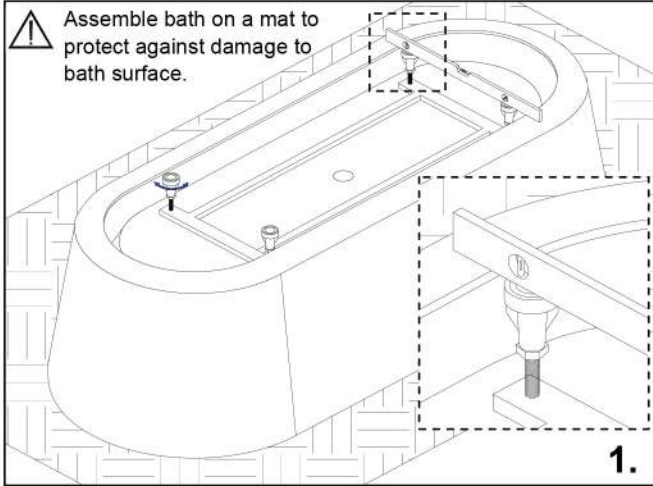
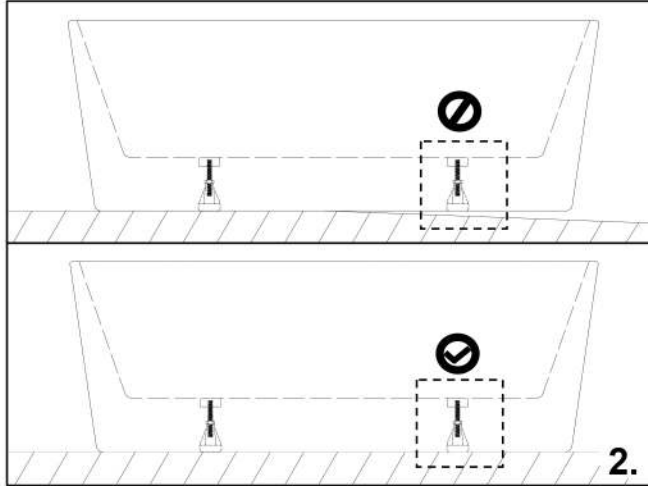


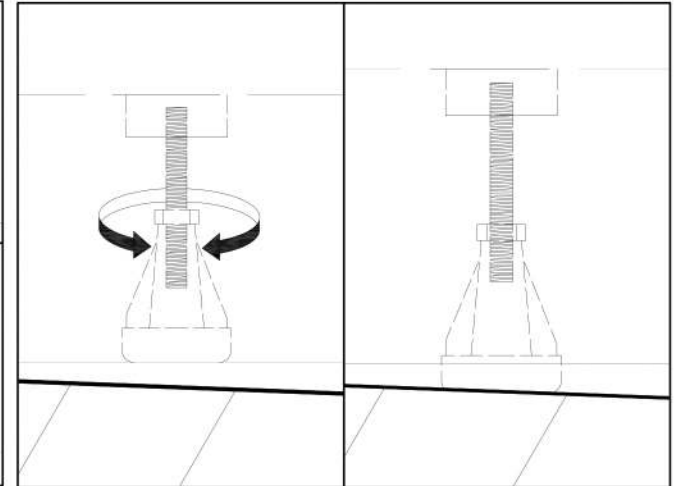
# Free Standing Acrylic Bathtub Installation Instructions



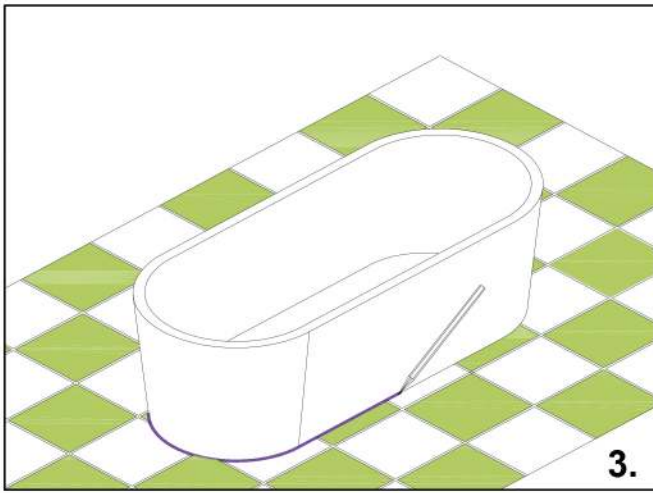
- Ensure legs are adjusted in line with the base of bath.



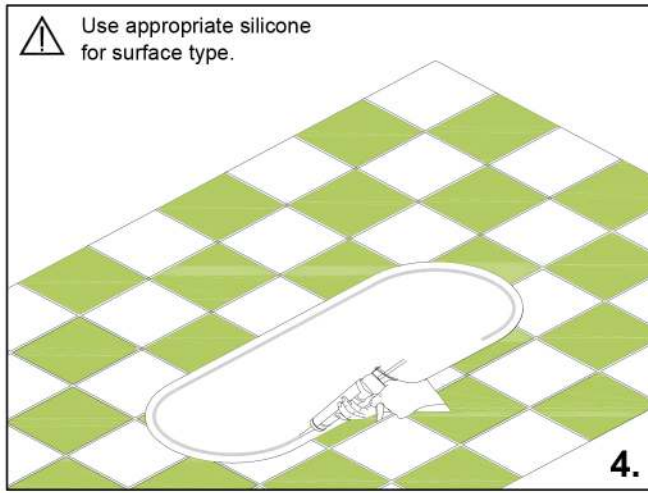
- Check that bath sits flat; if required adjust legs to compensate for floor level.



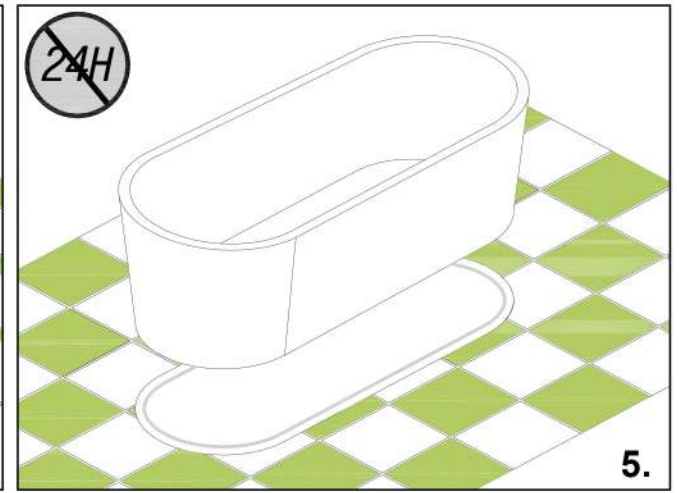
- Before step 3 set waste connection in position.




- With pencil trace outline of bath.



- Apply a thick bead of silicone within bath outline.

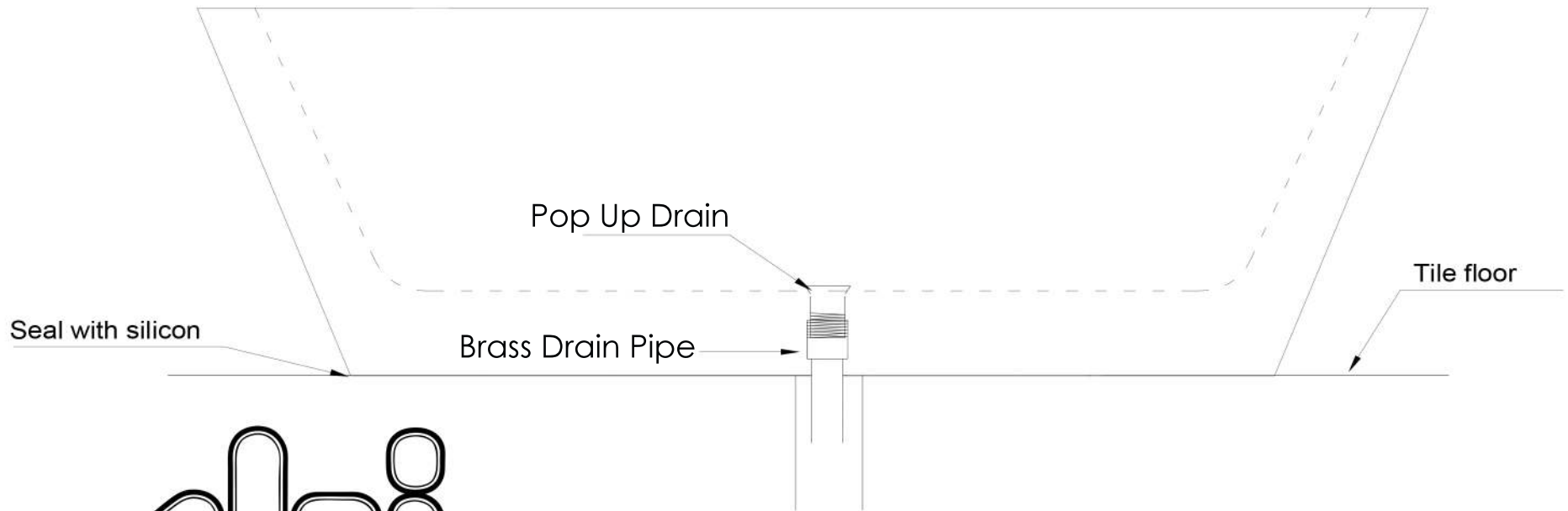


- Set bath in final position.

 This installation guide does not include details of waste connection; final decision about installation of waste connection should be taken by a suitably qualified person.

# Free Standing Acrylic Bathtub Installation Instructions

Align the tubs drain with the drain hole in your bathroom floor so that the long brass pipe that comes with your tub can slide right in. If your floor drain hole is not exactly in the desired location you can always purchase a flexible hose from your local hardware store to allow some location flexibility.



[www.alfibrand.com](http://www.alfibrand.com)