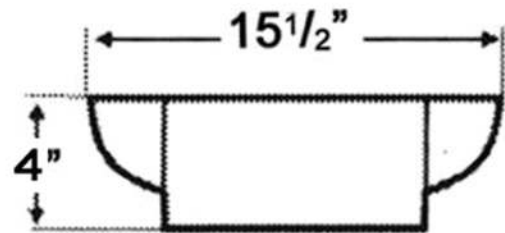
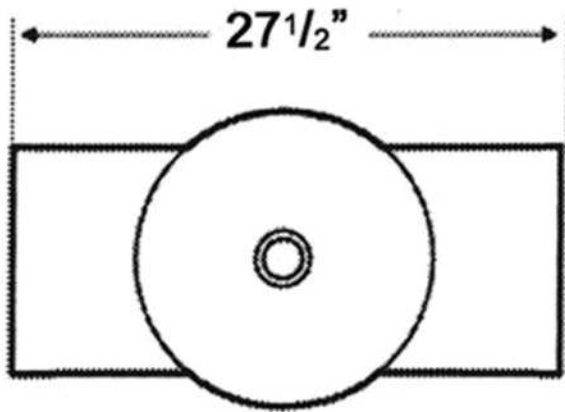


Whitehaus®

WHKN1112



Inside Bowl Dimensions
 $14\frac{1}{2}$ " x $15\frac{1}{2}$ " x 4"

LIVE WITH STYLE!