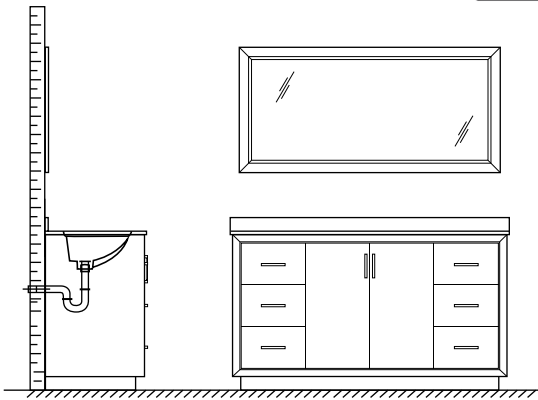
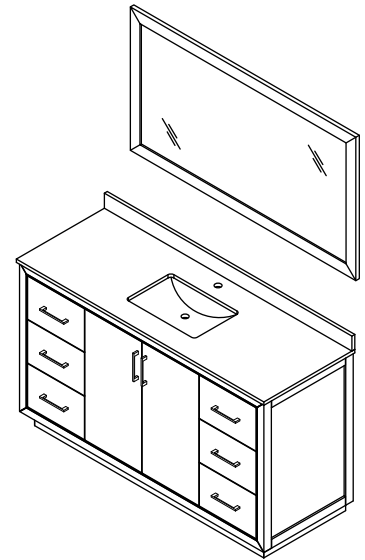


# WYNDHAM COLLECTION

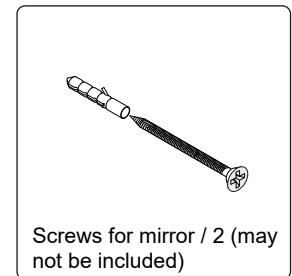
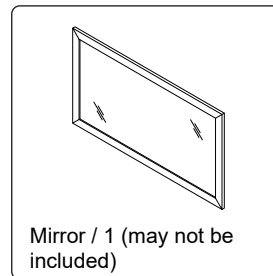
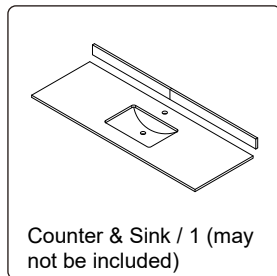
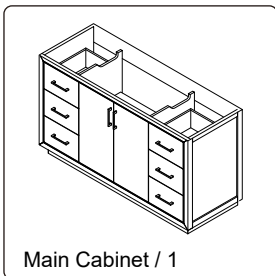


- Prior to installation please check received items against the "Packing List". Please report any missing items to your retailer immediately.
- Protect all surfaces from sharp objects, high heat sources, direct prolonged sunlight and chemical hazards.
- Professional installation recommended.
- Please install on a level surface. If minor door and drawer alignment is required, please follow the easy directions below.
- Backsplash comes in two pieces.

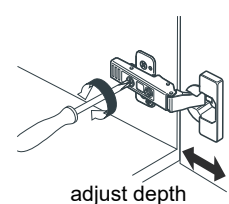
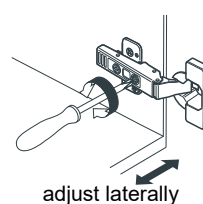
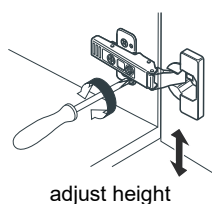
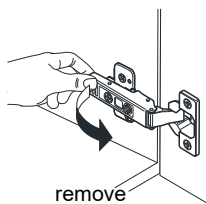
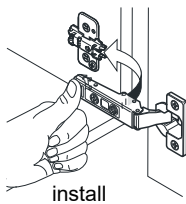


## PACKING LIST

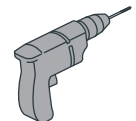
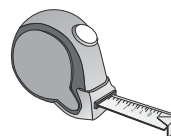
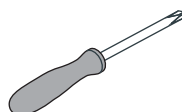
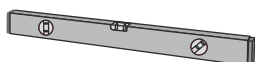
(Not all components may be included, depending upon your purchase)



## HOW TO ADJUST HINGES (if required)



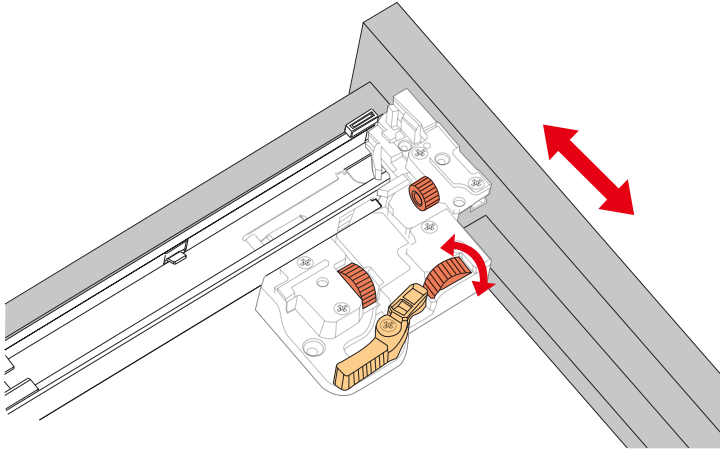
## REQUIRED TOOLS NOT IN BOX



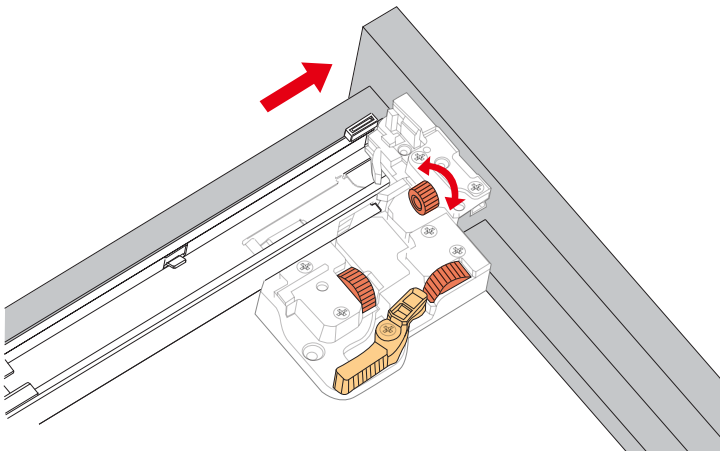
# WC-1111-60-SGL Installation Guide



# WYNDHAM COLLECTION



Side Adjustment



Depth Adjustment

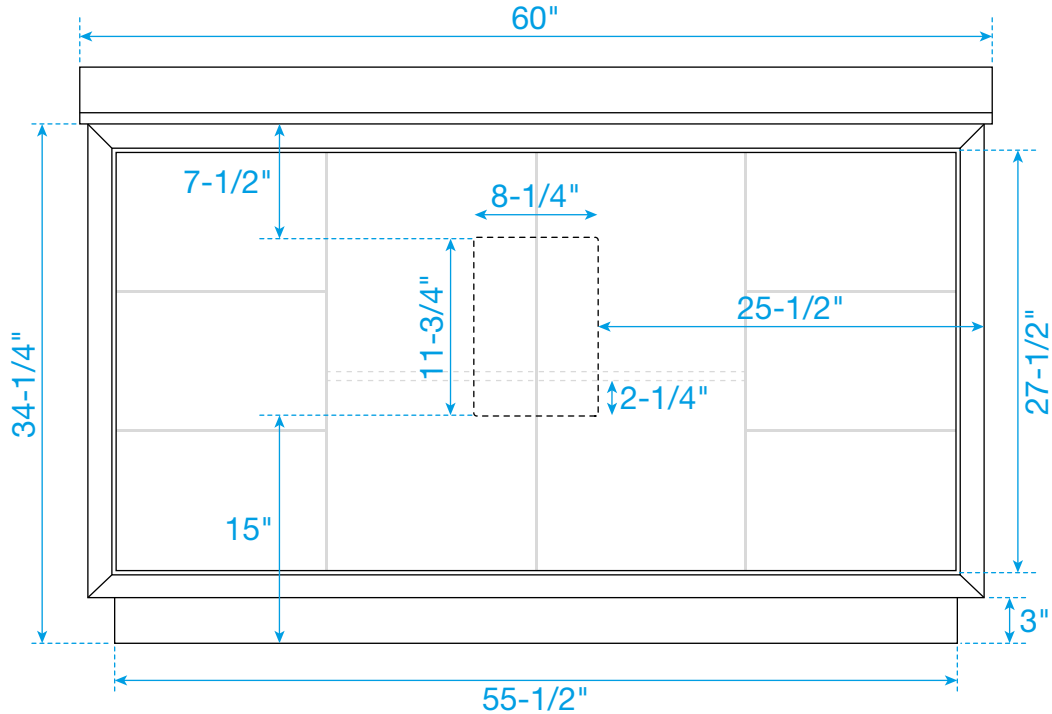


Scan the QR code with your phone to watch detailed video instructions or visit [www.wyndhamcollection.com/3dslides](http://www.wyndhamcollection.com/3dslides)

WC-1111-60-SGL  
Installation Guide

# WYNDHAM COLLECTION

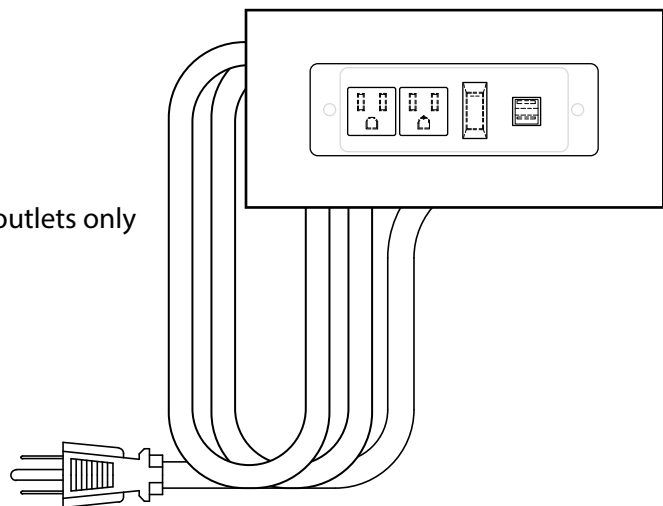
## Backboard Cutouts



\*Note: All measurements are  $\pm 1/4$ ".

## Electrical Outlets with Charging Hub

- Easy to install
- Long 5 foot plug in cord
- 2 electrical outlets, 125V 15A
- Tamper Resistant (TR) outlets
- Power reset switch
- 2 USB ports, 5V 2.1A Max
- Use with ground-fault circuit interrupter (GFCI) outlets only
- Residential use only
- Follow all applicable electrical codes
- ETL Listed
- Conforms to UL Standard 962A
- Certified to CAN/CSA Standard C22.2 No. 308



# WC-1111-60-SGL Installation Guide