



## VIGO INDUSTRIES INSTALLATION GUIDE FOR SHOWER ENCLOSURE (MODEL VG06071)

### **SAFETY PRECAUTIONS**

This Installation Guide uses the following symbols to indicate important information. Always observe the instructions indicated by these symbols.

### **WARNING**

Instructions that, if ignored, could result in death or serious personal injury caused by incorrect handling or installation of the product. These instructions must be observed for safe installation.

### **IMPORTANT**

Maintenance and other important non-personal injury and non-material damage instructions or statements that should be observed.

It is highly advised to dry fit the unit prior to any installation.

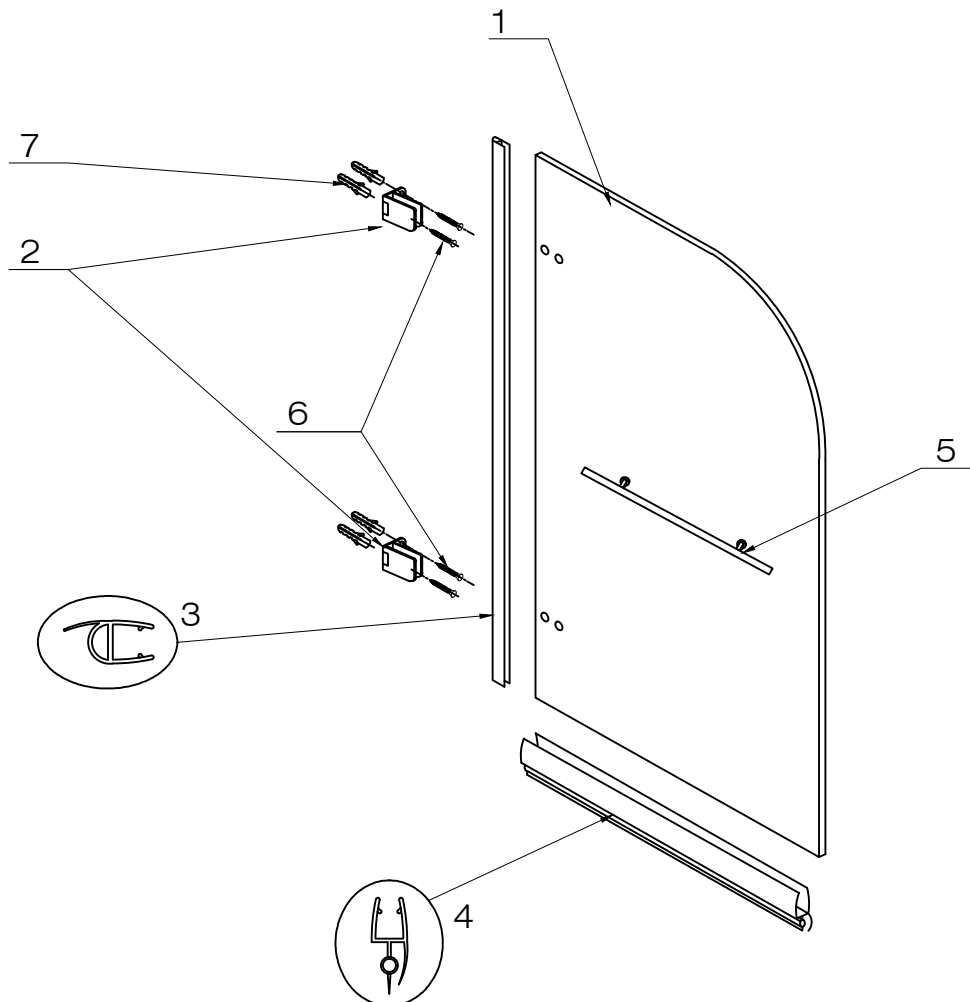
# INSTALLATION INSTRUCTIONS FOR STANDING SHOWER CABIN

## OWNER'S MANUAL

PLEASE READ INSTRUCTIONS BEFORE PROCEEDING

### Packing List

1. Door (1pc)
2. Hinge (2pc)
3. Side seal strip (1pc)
4. Door bottom seal strip (1pc + 1pc is extra)
5. Handle assembly (1pc)
6. Hex screw 1 5/8" (10pc)
7. Plastic anchor (white) (10pc)
8. Clear PVC shims (1 pack)



GLASS THICKNESS:8mm

NOTE: INSTALLATION MUST BE DONE BY A QUALIFIED, LICENSED PLUMBER.

**MODEL VG06071**

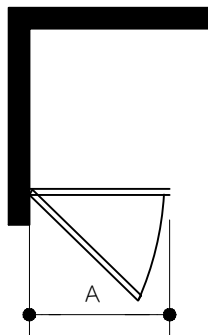
<p>1. DOOR 97027CL</p>	<p>2. HINGE ASSEMBLY 98071</p>	<p>3. SIDE SEAL STRIP WITH FLANGE 96017</p>	<p>4. DOOR BOTTOM SEAL STRIP 96018</p>	<p>5. DOOR HANDLES 98070</p>
<p>6. HEX SCREW 1 5/8" 98039</p>	<p>7. PLASTIC ANCHOR 98038</p>	<p>8. CLEAR PVC SHIM MISC</p>		

MODEL	DIMENSION "A"***	HEIGHT**	#3- DOOR (97027CL)
VG06071	34"	58"	34" X 57 3/8"

\*\* - WITH HARDWARE

\*\* - EXTERIOR SIZES

A DIMENSION WAS MEASURED AFTER SHOWER DOOR WAS COMPLETELY INSTALLED



**MODEL VG06071**

**! WARNING**

**WE STRONGLY RECOMMEND THAT A LICENSED PROFESSIONAL INSTALL THIS SHOWER CABIN AND INCLUDE THE ASSISTANCE OF A SECOND PERSON TO INSTALL THE DOOR UNIT. INSTALLATION OF THE SHOWER DOORS BY AN INEXPERIENCED PERSON MAY RESULT IN GLASS BREAKAGE AND, CONSEQUENTLY, CAUSE PERSONAL INJURY OR DEATH.**

**BEFORE STARTING**

Compare items on your invoice with what you have received. Carefully review the Packing List on page 2. If any items are missing contact Vigo Industries at 1-866-591-7792.

**REQUIRED TOOLS**

- Square and/or Phillips #1 and #2 screwdriver
- Flat head screwdriver
- Electric drill plus 1/4" and 5/16" drill bit (depending on wall)
- Level
- Measuring tape
- Pencil (non-permanent)
- Clear silicone caulking
- Utility knife
- Shims

**! WARNING**

- Handle fragile items with care to prevent injury or material damage.
- Glass on panels and doors is tempered glass and must never be cut to prevent personal injury.

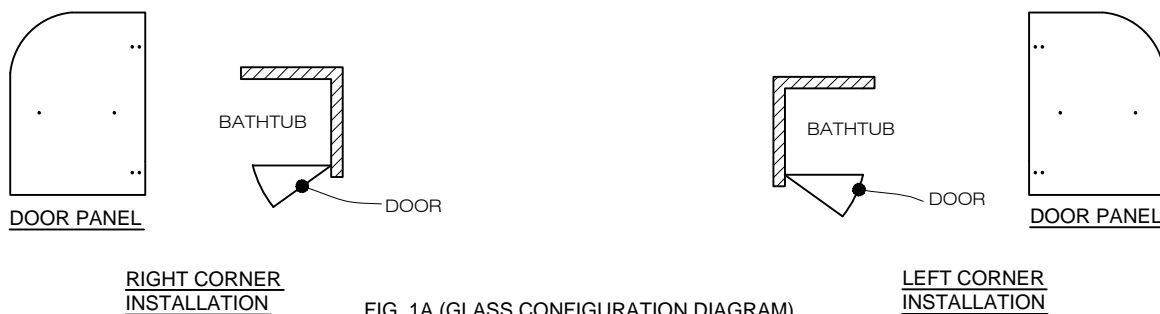
**⊘ IMPORTANT**

- Fiberglass or acrylic construction might not be sufficiently strong enough to support the shower door enclosure. You should use the wood framing from behind the face edge of the stall to provide a secure mounting to the door. Apply a bead of silicone between the walls and base of the stall.
- For optimum performance, you should install the shower door perfectly level on a level surface.
- When installing use heavy duty gloves.
- **FOR THE MATTE GLASS MODELS:** Oil secretions from skin will leave transparent spots on the matte side of the glass. Use a degreasing, non-abrasive cleaner to remove these secretions. The same will happen if you get silicone on the matte glass. Use a silicone remover to remove these stains.

**! NOTE: The design of this unit leaves open space in the back of the tub, leaving potential for water leakage.**

**IMPORTANT:**

**THE CLEAR GLASS MODEL HAS A REVERSIBLE DOOR AND CAN BE INSTALLED TO THE RIGHT OR LEFT SIDE. (SEE CONFIGURATION DIAGRAM BELOW)**

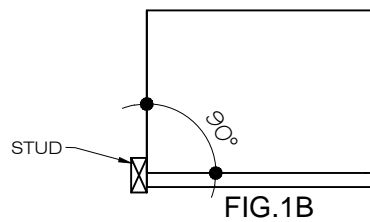


## PREPARATION STEPS TO FOLLOW BEFORE INSTALLATION

1. Remove the plastic layer from the base/tub border (if needed). Do NOT remove the plastic layer off the plastic platform of the base/tub.
2. Properly apply silicone to the wall and base joints.

### ⊘ IMPORTANT

- To prevent damage to the finish, you should protect the tub bottom with a cardboard protector before beginning the installation.
- Ensure that there is sufficient structural support behind the shower wall to hold the weight of the shower door. If there is insufficient support, then reinforce the shower walls with wooden studs prior to shower door installation. [SEE FIG.1B] (typical for right and left door installation)



### ⚠ CAUTION

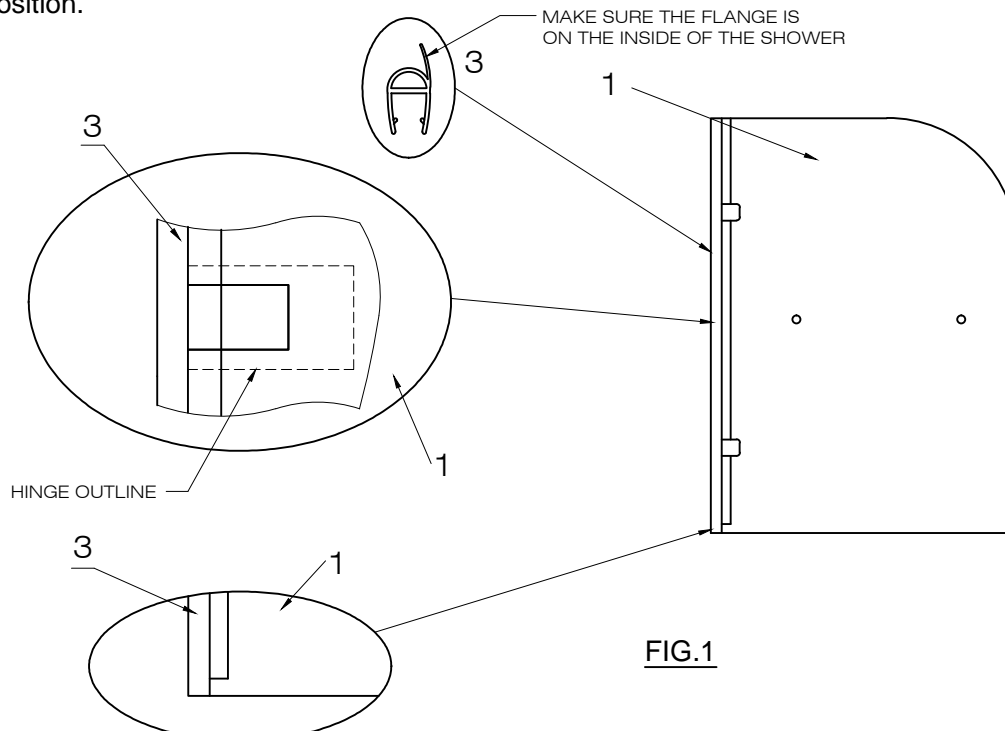
- **GASKETS NEED TO BE IN BETWEEN ALL GLASS AND METAL CONTACT. FAILURE TO DO SO CAN LEAD TO BREAKAGE AND POTENTIAL BODILY HARM.**

## INSTALLATION STEPS

### A. INSTALLING THE WATER SIDE SEAL STRIP

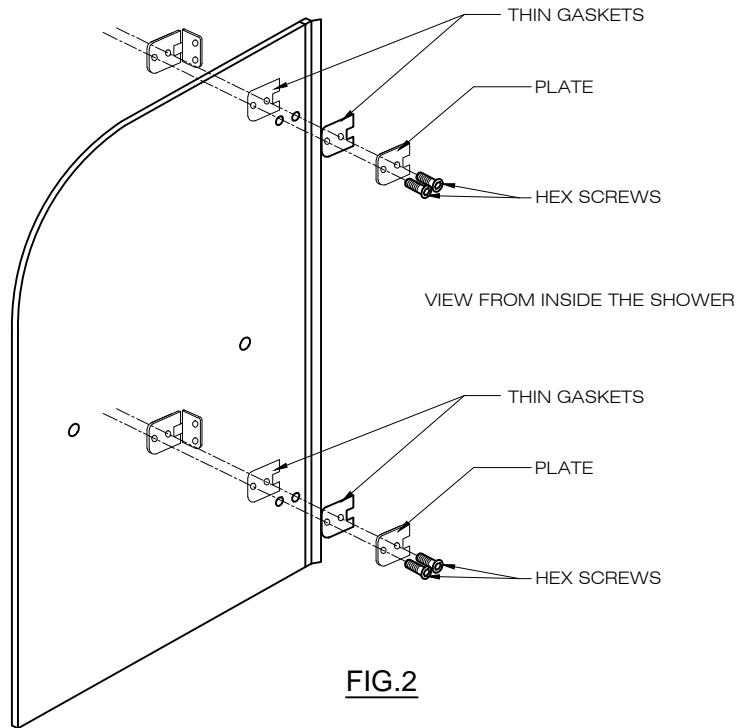
1. Clean all glass panel edges receiving seal strips with rubbing alcohol. [SEE FIG.1]
2. Cut seal strip (#3) according to seal strip diagram. [SEE FIG.1]
3. Install the side seal strip according to seal strip diagram, making sure that the flange is on the inside of the shower. [SEE FIG.1]

NOTE: If the seal strips are not flat, use a hair dryer to apply minimal heat and press the seal strip back into position.

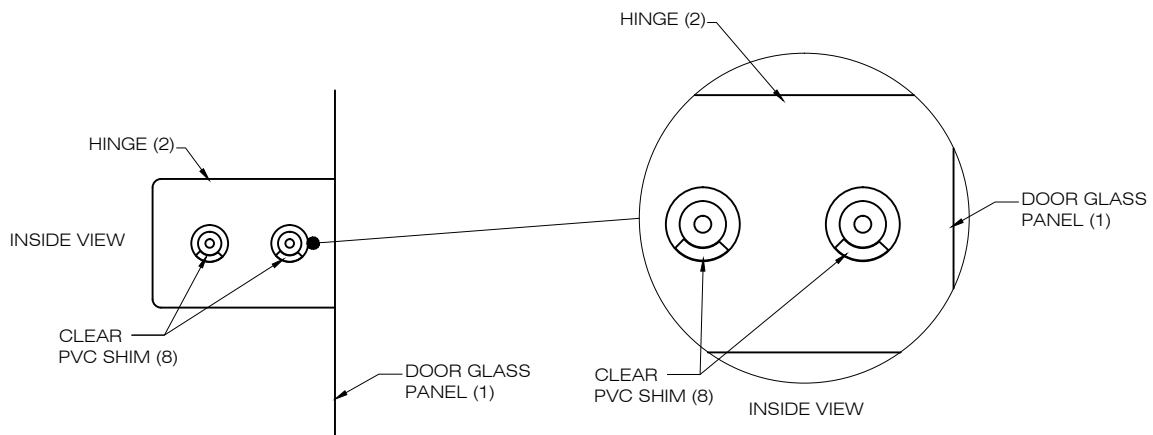


## B. HINGE INSTALLATION

1. Clean the glass surface where the hinges (#2) are to be installed with rubbing alcohol.
2. Position hinges on the door glass panel. Place a shim (#8) between the glass and the hinge on the bottom. The metal should not rest on the glass. [SEE FIG.3]
3. Place gaskets on each side of the door glass panel. Screw the hinges to the door glass panel with the hex key (supplied). [SEE FIG.2]



**FIG.2**



**FIG.3**

## C. INSTALLING THE DOOR

### WARNING

DOOR PANEL INSTALLATION REQUIRES TWO OR MORE PEOPLE TO ASSIST

1. Place the door on the shims raising the door up 5/8" to accommodate the bottom door seal strip. [SEE FIG.4]
2. Align the door correctly using a level. [SEE FIG 4]
3. Hold the door in the open position and mark two (2) holes on the wall for the mounting screws for each hinge. [SEE FIG.4A]
4. Remove the door and drill holes into the wall where marked. Place plastic anchors (#7) inside the holes.
5. Replace the door (#1) back on the shim and place it in the open position. Screw the door securely to the wall with 1 5/8" screws (#6). [SEE FIG.4A]

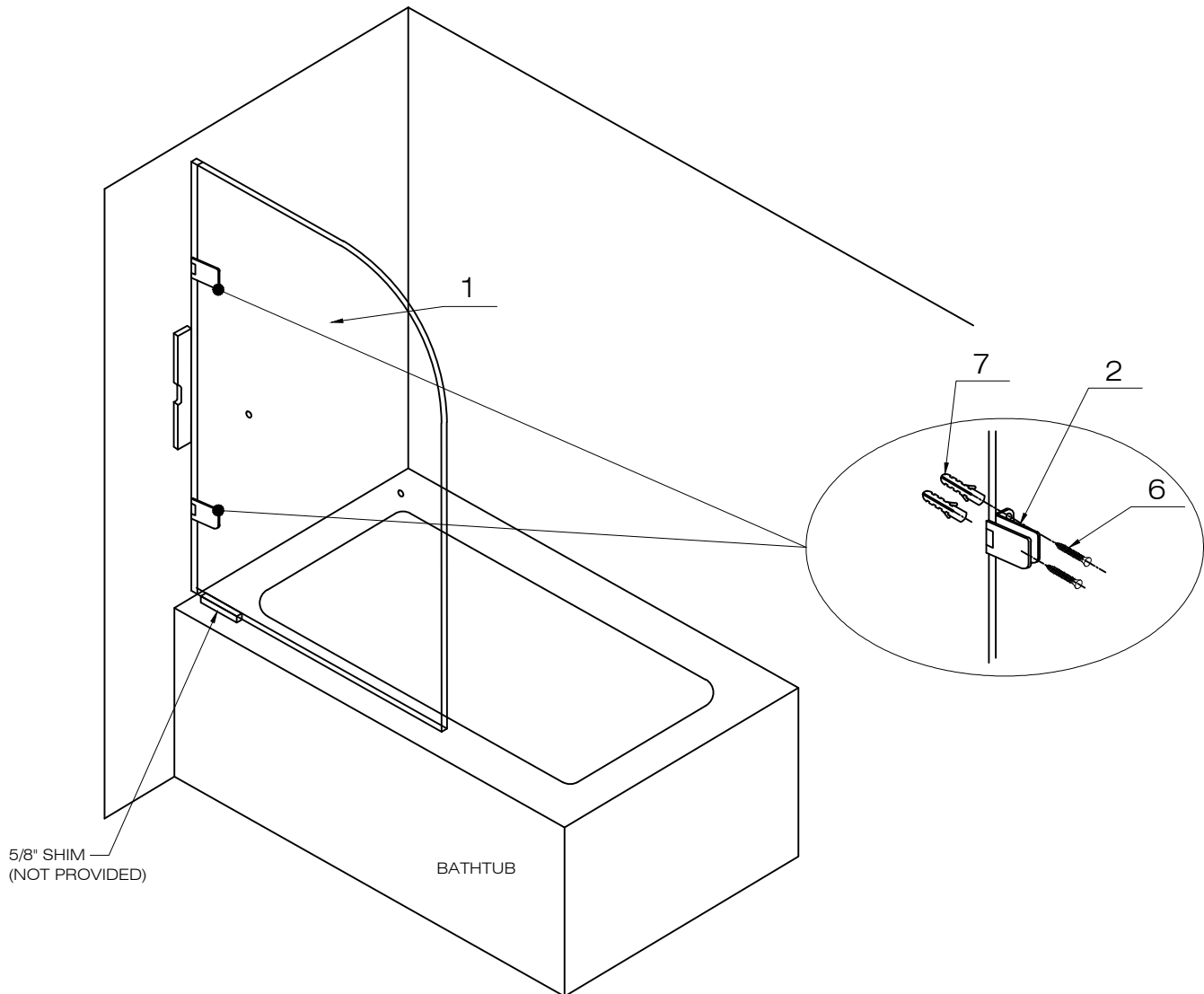
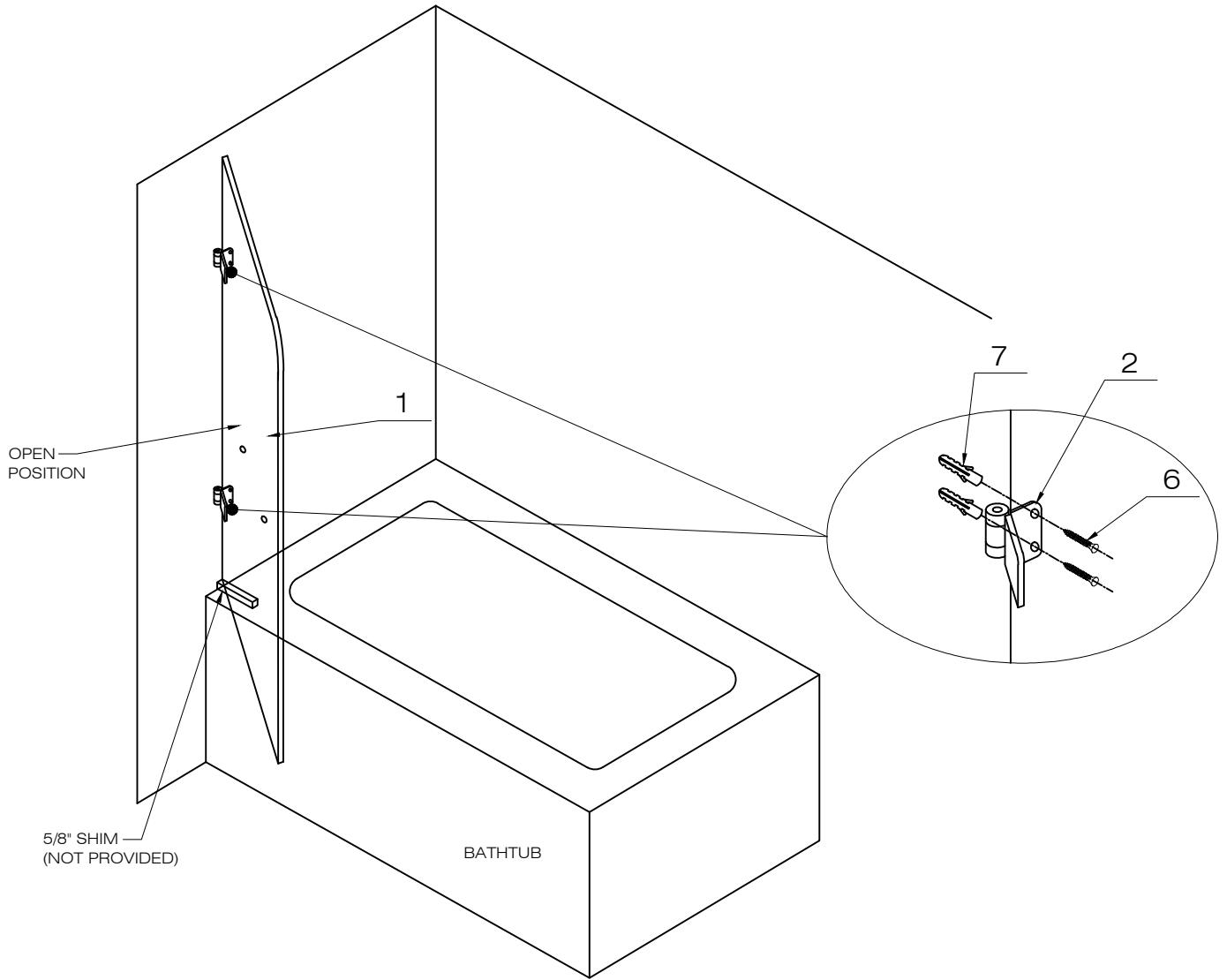


FIG.4

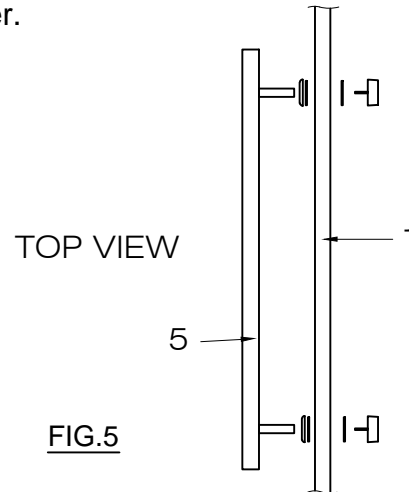
**MODEL VG06071**



**FIG.4A**

## D. INSTALLING THE HANDLE

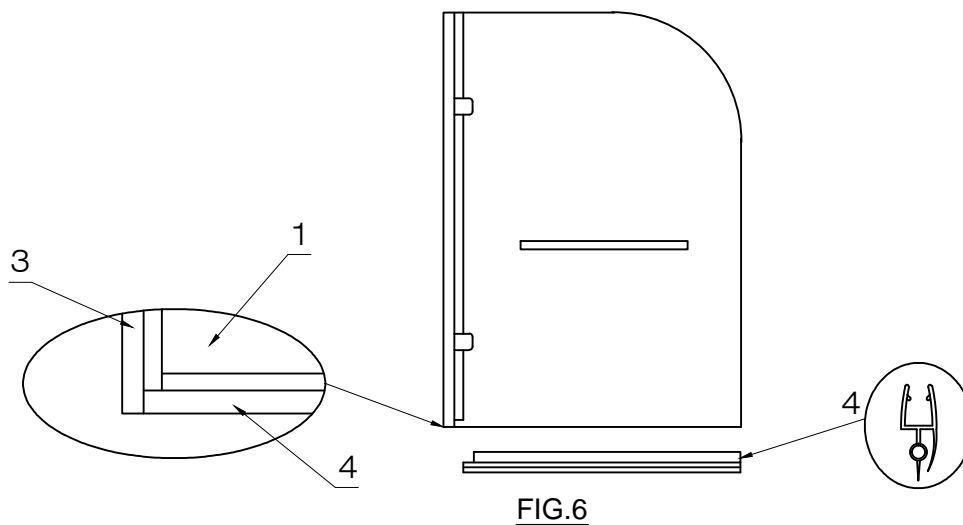
1. Unscrew the handle holders from the handle assembly (#5).
2. Place the handle to the position on the door. Place plastic washers (supplied) on each side of the door. [SEE FIG.12]
3. Tighten the handle nuts from inside the shower.



## E. INSTALLING THE DOOR BOTTOM SEAL STRIP

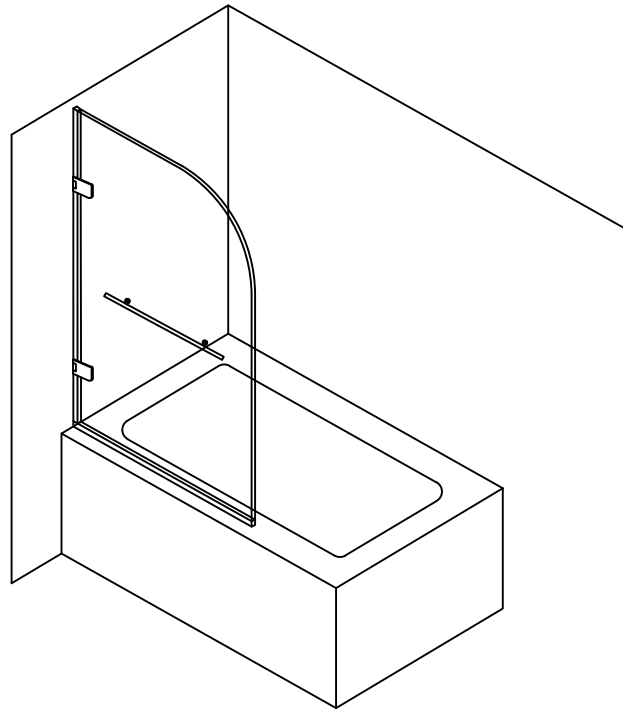
1. Clean the door glass panel (#1) edges where the door bottom seal strip (#4) is to be installed with rubbing alcohol.
2. The door bottom seal strip (#4) is cut already to the proper size.
3. Verify that the lip of the seal strip faces toward the inside of the shower cabin before seal strip installation.
4. Install the seal strip according to the diagram. [SEE FIG.6]

NOTE: If the seal strips are not flat, use a hair dryer to apply minimal heat and press the seal strip back into position.

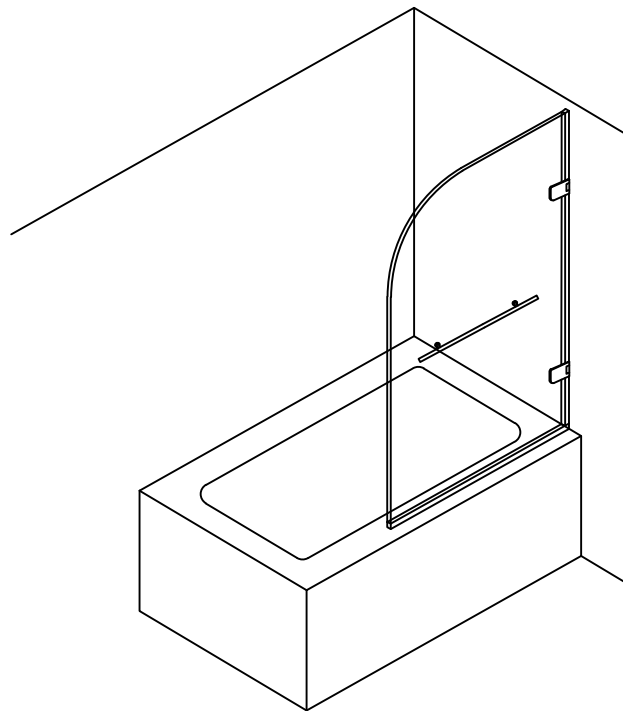


### ⚠ IMPORTANT

- WAIT 24 HOURS BEFORE USING SHOWER
- DO NOT ALLOW WATER TO DIRECTLY HIT DOOR SEAL STRIPS



LEFT CORNER  
INSTALLATION



RIGHT CORNER  
INSTALLATION

## CLEANING INSTRUCTIONS FOR THE SHOWER CABIN AND DOOR PANEL

- A. Use mild liquid household cleaners to keep metal surface bright and clean. Rinse well and dry with a clean cloth.
- B. Remove dust with a soft, damp cloth.
- C. Use rubbing alcohol to clean and remove grease, oil, paint, and ink.
- D. Accidental scratches or stains will rarely show. If they do show, they can be easily removed with a liquid automobile polish.
- E. Use squeegee to remove excess water from the glass panel after every use.

### **IMPORTANT**

- Do NOT use abrasive cleaners, scrapers, metal brushes, or any items/products that would scratch and/or dull surface.
- Do NOT allow surface to come into contact with acetone (nail polish remover), dry cleaning solution, lacquer thinner, gasoline, or any other similar product.