

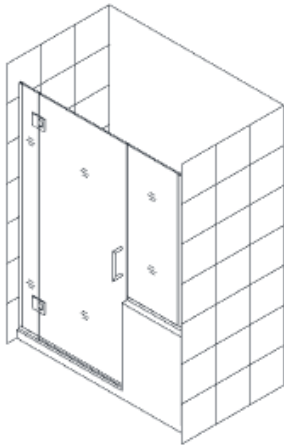


UNIDOOR X (STYLE M2)

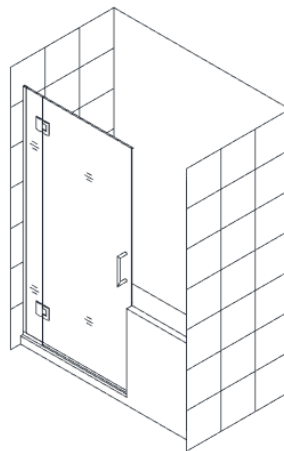
SHOWER DOOR & GLASS PANEL INSTALLATION INSTRUCTIONS

IMPORTANT

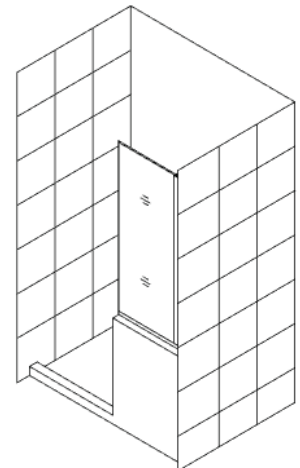
DreamLine® reserves the right to alter, modify or redesign products at any time without prior notice. For the latest up-to-date technical drawings, manuals, warranty information or additional details please refer to your model's web page on **DreamLine.com**



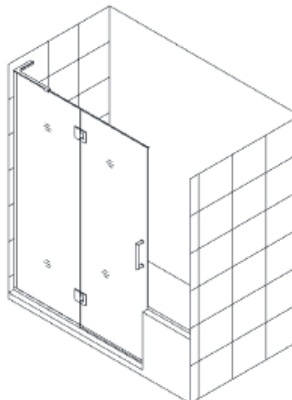
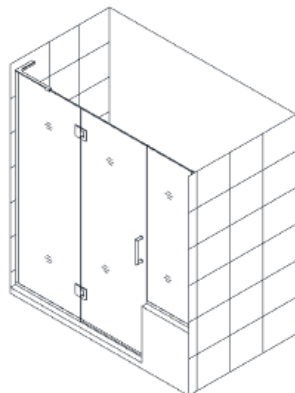
STYLE M2



STEP 1: INSTALL SHOWER DOOR



STEP 2: INSTALL PANEL



Please read these instructions carefully before installing. If you have any questions regarding installation, please contact our technical support specialists Monday through Friday 8:00 AM – 7:00 PM EST at Phone: **1-866-731-2244**, Fax: **1-866-857-3638** or e-mail our technical support group at **Support@DreamLine.com**

For more information about DreamLine® products please visit DreamLine.com

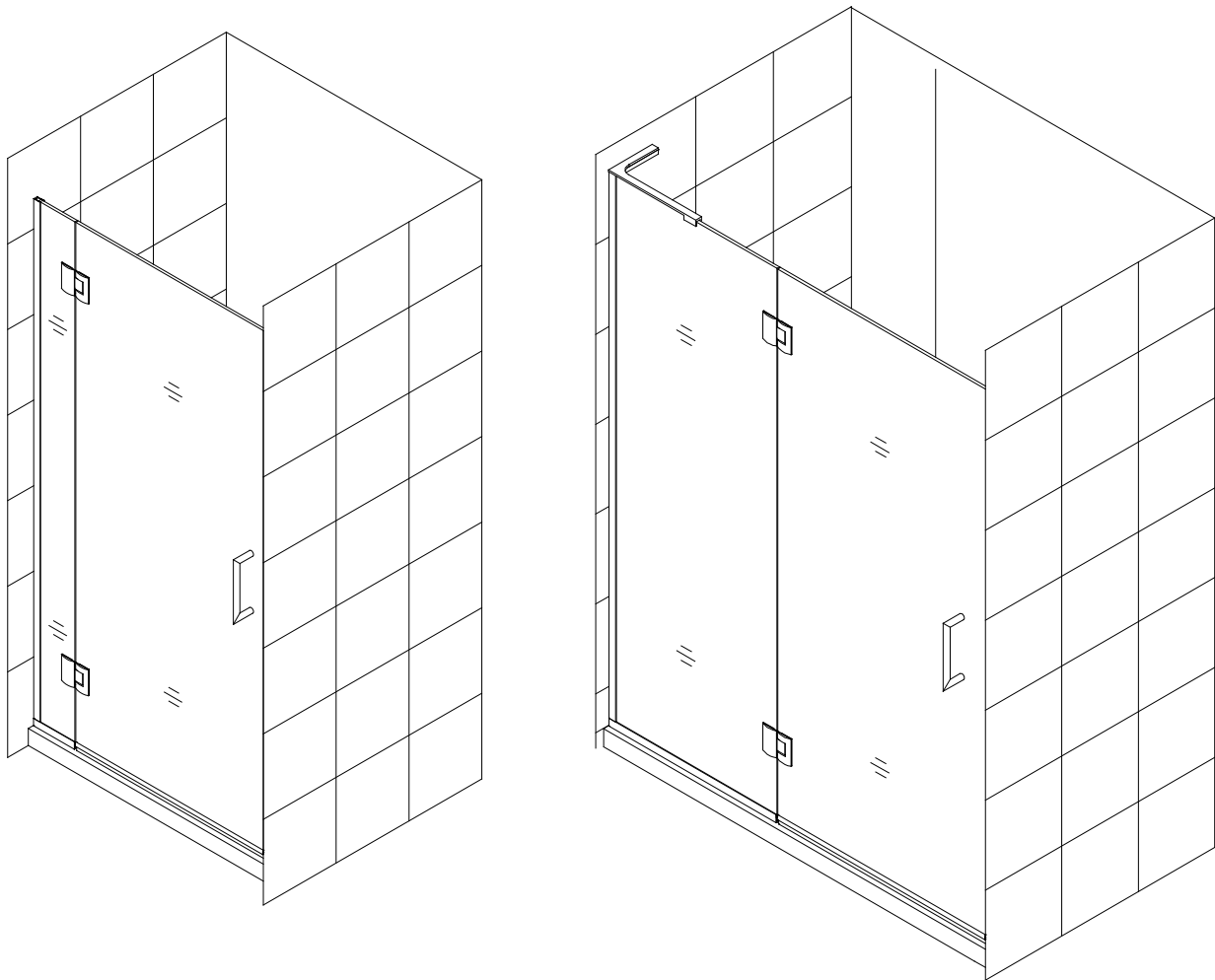


UNIDOOR-X Style M

GLASS-TO-GLASS HINGE SHOWER DOOR INSTALLATION

IMPORTANT

DreamLine® reserves the right to alter, modify or redesign products at any time without prior notice. For the latest up-to-date technical drawings, manuals or additional details please refer to your model's web page on DreamLine.com

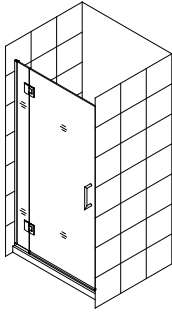


Right Hand Door installation shown

Please read these instructions carefully before installing. If you have any questions regarding installation, please contact our technical support specialists Monday through Friday 8:00 AM – 7:00 PM EST at Phone: 1-866-731-2244, Fax: 1-866-857-3638 or e-mail our technical support group at Support@DreamLine.com

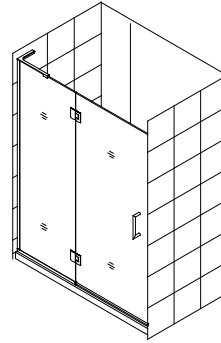
For more information about DreamLine® products please visit DreamLine.com

Model Numbers



UNIDOOR X Style M
with 6" hinge panel

D12372-##
D12472-##
D12572-##
D12672-##
D12772-##
D12872-##
D12972-##
D13072-##

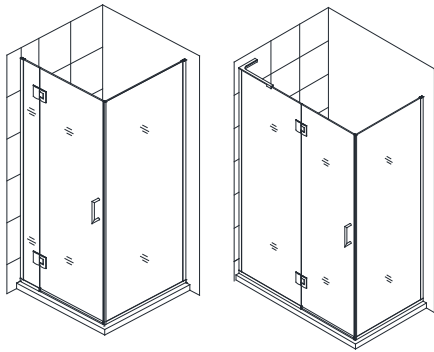


UNIDOOR X Style M
with 24" hinge panel
with Left or Right L-Bracket

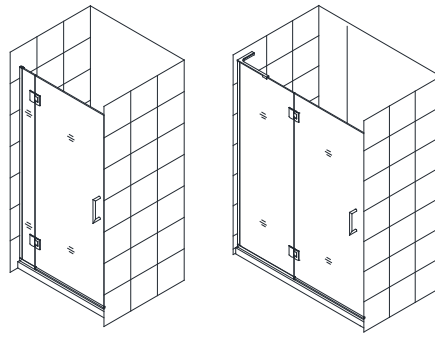
D32372L-##
D32372R-##
D32472L-##
D32472R-##
D32572L-##
D32572R-##
D32672L-##
D32672R-##
D32772L-##
D32772R-##
D32872L-##
D32872R-##
D32972L-##
D32972R-##
D33072L-##
D33072R-##

##- hardware finish
01- Chrome
04- Brushed Nickel
06- Oil Rubbed Bronze

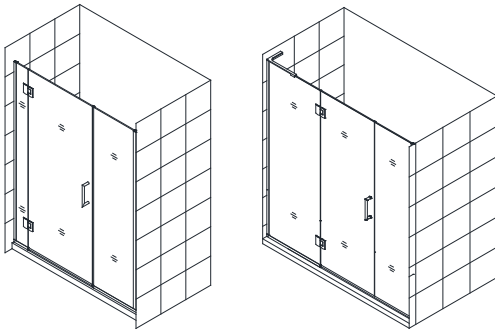
Used with the following Model Styles:



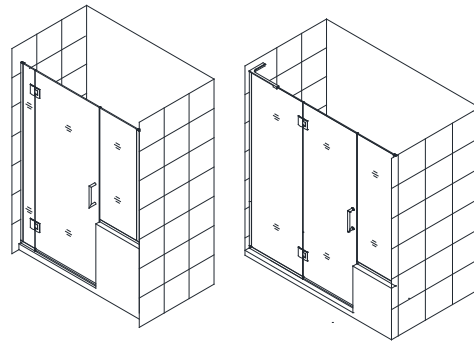
Style L1



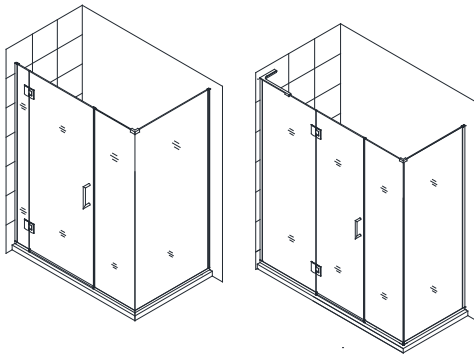
Style M



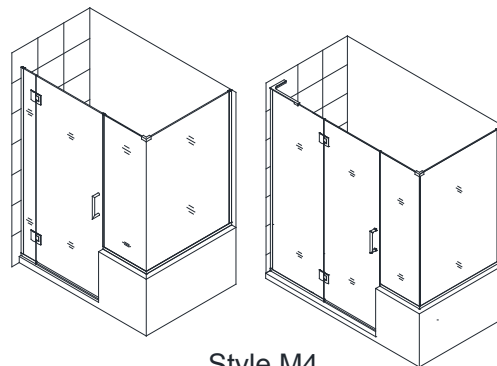
Style M1



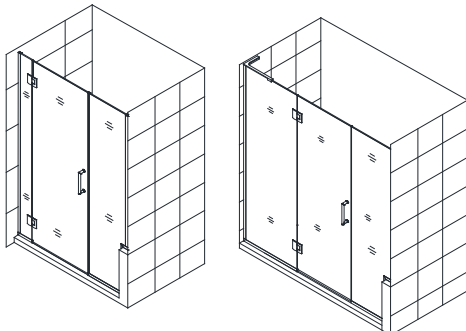
Style M2



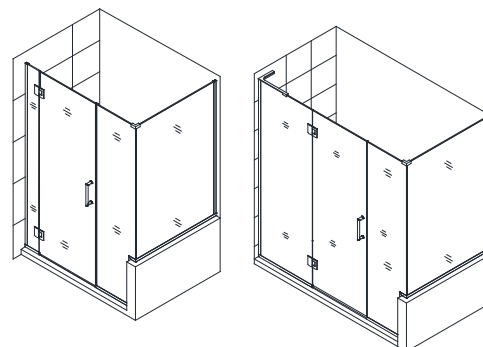
Style M3



Style M4



Style M5



Style M6

STYLE L1 *

UNIDOOR-X Shower door 23"~30" with 6" or 24" hinge panel and with 30"- 34" full height return panel secured using u-channel

STYLE M *

UNIDOOR-X Shower door 23"~30" with 6" or 24" hinge panel secured using u-channel

STYLE M1 *

UNIDOOR-X Shower door 23"~30" with 6" or 24" hinge panel and with 6", 6-1/2", 14", 14-1/2", 22" or 22-1/2" full height inline panel secured using u-channel

STYLE M2 *

UNIDOOR-X Shower door 23"~30" with 6" or 24" hinge panel with 12", 18", 24" or 26" inline buttress panel secured using u-channel

STYLE M3 *

UNIDOOR-X Shower door 23"~30" with 6" or 24" hinge panel, with 6", 6-1/2", 14", 14-1/2", 22" or 22-1/2" full height inline panel and 30" - 34" full height return panel secured using u-channel

STYLE M4 *

UNIDOOR-X Shower door 23"~30" with 6" or 24" hinge panel, with 12", 18", 24" or 26" in-line buttress panel and 30", 36" or 40" buttress return panel secured using u-channel

STYLE M5*

UNIDOOR-X Shower door 23"~30" with 6" or 24" hinge panel, with 12", 18", 24" or 30" notched in-line panel secured using u-channel

STYLE M6 *

UNIDOOR-X Shower door 23"~30" with 6" or 24" hinge panel, with 12", 18", 24" or 30" notched in-line panel and 30", 36" or 40" buttress return panel secured using u-channel

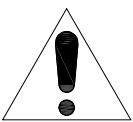
* For the panel installation instructions, please refer to the separate manual included in the panel glass packaging.

NOTE: The Unidoor series doors and enclosures are reversible for left or right hand installation. This manual will show the right hand installation. For a left hand installation, simply begin on the opposite wall and reverse the orientation of the parts as necessary.

Preparation

1. Prior to installation, examine all boxes and packages for shipping damage and compare the piece count with your packing slip. After opening all boxes and packages read this introduction carefully. Check that all of the needed parts are included in the package by checking off the components on the "Detailed Diagram of Shower Door Components". If the unit has been damaged, has a finishing defect, or has missing parts, please contact our customer support department within **3 business days** of the delivery date. **Please note that DreamLine® will not replace any damaged products or missing parts free of charge after 3 business days or if the product has been installed.** Feel free to contact DreamLine® if you have any questions, and please provide an order number, job name or other proof of purchase to help us identify your original order.
2. **Please note that you should consult your local building codes with questions on installation compliance standards. Building and plumbing codes may vary by location, and DreamLine is not responsible for code compliance standards for your project and will not accept any returns.**
3. If this unit is going to be installed in a new construction, please install all of the required plumbing and drainage before installing the shower. Use a competent and licensed (if required by local code) plumber for all plumbing installation.
4. Please make sure that prior to beginning the installation, the surfaces are leveled and solid and will be able to support the total weight of the unit. Also make sure the walls are at right angles. Irregular installation surface level, radius corners or improper angle of side walls will result in serious problems for your installation. Please, note that some adjustments and drilling might be necessary during the installation process.
5. Please protect all primary surfaces of the product during installation. Never set your glass down directly onto a tile floor. Leave corner protectors in place until it is necessary to remove them. Always use a piece of wood or cardboard to protect the bottom edge and corners of the glass prior to and during installation.
6. This unit must be installed upon a finished threshold and against finished walls.
7. **The hinge panel glass for this model should not be adjusted more than 1/4" for out-of-plumb within the u-channel.** This model does NOT have any adjustment for overall width. Verify that the model size ordered will fit the finished opening before beginning installation.
8. This model requires that you drill into the threshold for proper installation.

Professional installation recommended

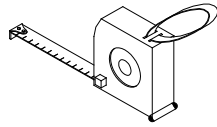


NOTE: DO NOT install the handle onto the door glass until instructed to do so. **DO NOT** attempt to lift the glass using the handle. This could result in damage to the glass and/or serious personal injury. Always use an assistant or a professional grade glass suction cup when handling heavy glass.

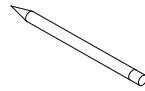
Tools



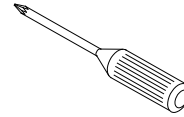
Level



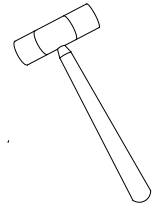
Tape Measure



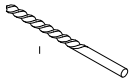
Pencil



Phillips Screwdriver



Hammer



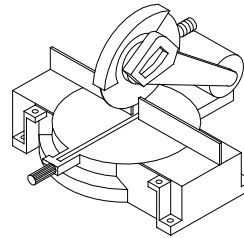
Drill bit
(Ø=5/16")



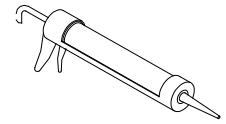
Drill bit
(Ø=1/8")



Power Drill



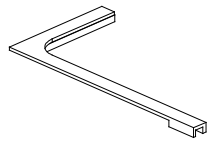
Miter saw



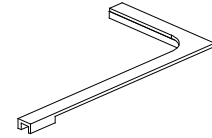
Caulk

NOTE: Unpack your unit carefully and inspect it. Lay it out and identify all parts using the detailed diagram and packing list in your manual as a reference. Before discarding the carton, check for small hardware bags that may have fallen to the bottom of the box. If any parts are damaged or missing, please contact DreamLine® for replacement. The shipping boxes may contain extra parts not used in your model configuration. Retain these installation instructions for future reference.

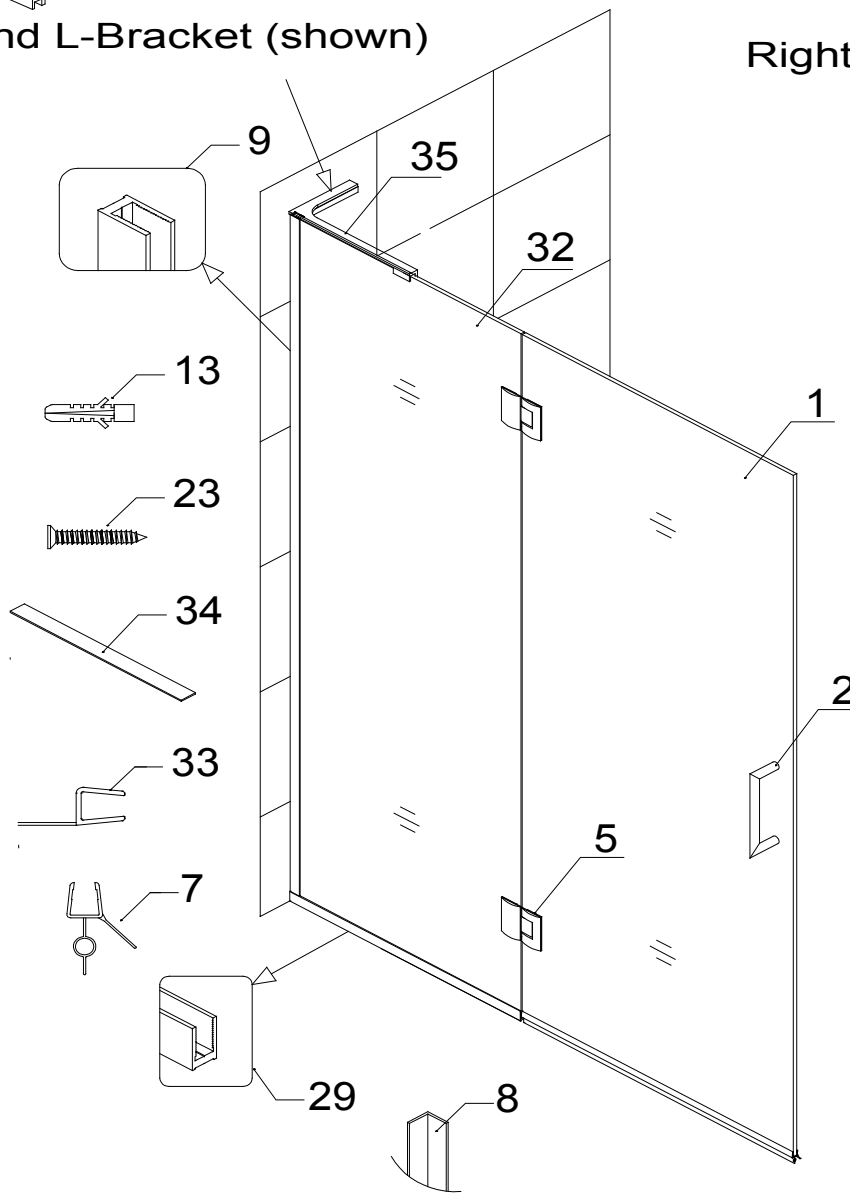
Detailed Diagram of shower door components



Left hand L-Bracket (shown)



Right hand L-Bracket



Packing List

01	Glass door	1pc	13	Ø5/16" Wall anchor	5pcs
02	Handle	1pc	23	Countersunk screw ST4.2x40	8pcs
05	Hinge	2pcs	29	U-channel 2 (44", bottom profile)	1pc
07	Bottom anti-water strip	1pc	32	Hinge panel glass (6" or 24")***	1pc
08	L-shaped strip *	1pc	33	Flanged anti-water strip	1pc
09	U-channel 1 (76", wall profile)	1pc	34	PVC glass spacer (0.5mm)	1pc
			35	L-Bracket (Left or Right) **	1pc

* L-shaped strip (#08) only used for style M configuration

** L-Bracket not included with 6" hinge panel glass

*** Hinge panel glass - the top hinge cutout is 7-7/8" to center, the bottom cutout is 8-3/8" to center.

Installation steps

Style "M" 6" & 24" In-Line Panel and Shower Door Installation

NOTE: The following shower door installation instructions should be used as a general guide and prerequisite to the installation of the UNIDOOR Style M, M1, M2, M3, M4, M5, M6 and L1 models. Before you begin the installation, please check your finished opening size and model dimensions to ensure proper placement of the Hinge panel glass (#32) and Glass door (#01). Specific size information can be found on our website at: DreamLine.com.

NOTE: There is a top and a bottom to the hinge panel glass (#32): the **top hinge cutout** is 7-7/8" to center, the **bottom hinge cutout** is 8-3/8" to center. This glass must be installed correctly for a successful installation.

NOTE: The 24" Hinge Panel Glass is the primary example shown throughout this installation manual. Use the following installations procedures when installing the 6" Hinge Panel glass with the exclusion of the L-Bracket (#35). See page 14 for more information about the L-bracket installation.

1. Trim the **0.5mm PVC glass spacer (#34)** into several 2" pieces. Insert three to four 2" pieces of the **0.5mm adjustment spacers (#34)** into the **U-channel 2 (#29) (bottom profile)**. These are used as setting blocks to protect the bottom of the glass.

• Slip the **U-channel 2 (#29)** (bottom profile) and uncut **U-channel 1 (#09) (76" wall profile)** onto the **Hinge panel glass (#32)** as shown.

• Place the **Hinge panel glass (#32)** with the U-channels 1 & 2 onto the threshold (Fig 1.2).

• Adjust the **Hinge Panel glass (#32)** and **U-channel 1 (#09) (76", wall profile)** against the wall ensuring that the **Hinge Panel glass (#32)** is level vertically and **U-channel 1 (#09)** is flush with the wall.

• Make certain that your **U-channel 2 (#29)** is parallel to the outside of your threshold. Use a level while adjusting your glass to verify that it is plumb.

See Fig. 1 For details

2. Mark the end of the **U-channel 2 (#29) (bottom profile)** opposite of the wall at the exposed vertical glass edge.

• Mark the top of **U-channel 1 (#09) (wall profile)** flush with the top of the glass (Fig 1.6).

• Mark the position of both u-channels on the wall and threshold from inside the shower area (Fig 1.5).

See Fig. 1 for details

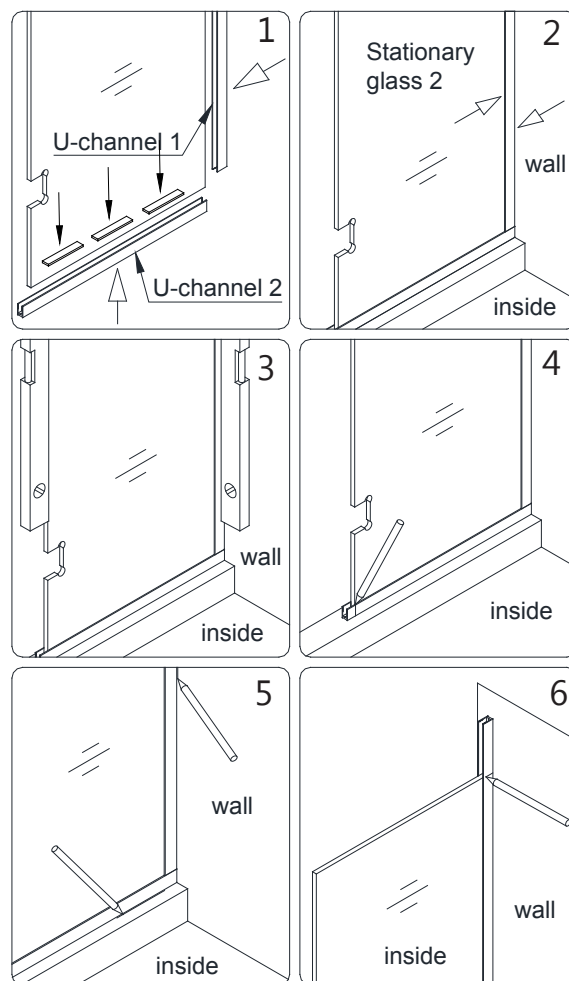
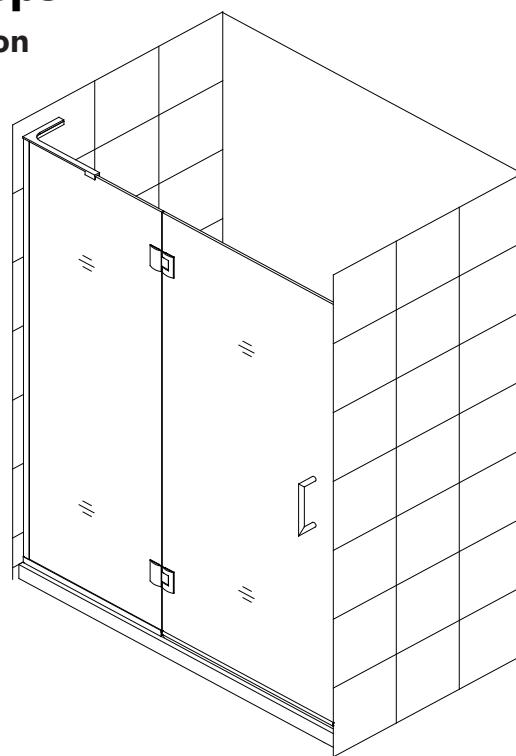


Fig 1

3. Remove both U-channels from the **Hinge Panel Glass 2 (#32)** and carefully set the glass aside. Cut the **U-channel 1 (76", wall profile) (#09)** at the top mark that was shown in Fig. 2.1
Cut the **U-channel 2 (44", bottom profile) (#29)** at the mark that was shown in Fig. 2.2

NOTE: It may be necessary to remove any burrs from the cut end of the U-channels with a metal file before placing the U-channel onto the glass.

See Fig. 2 for details

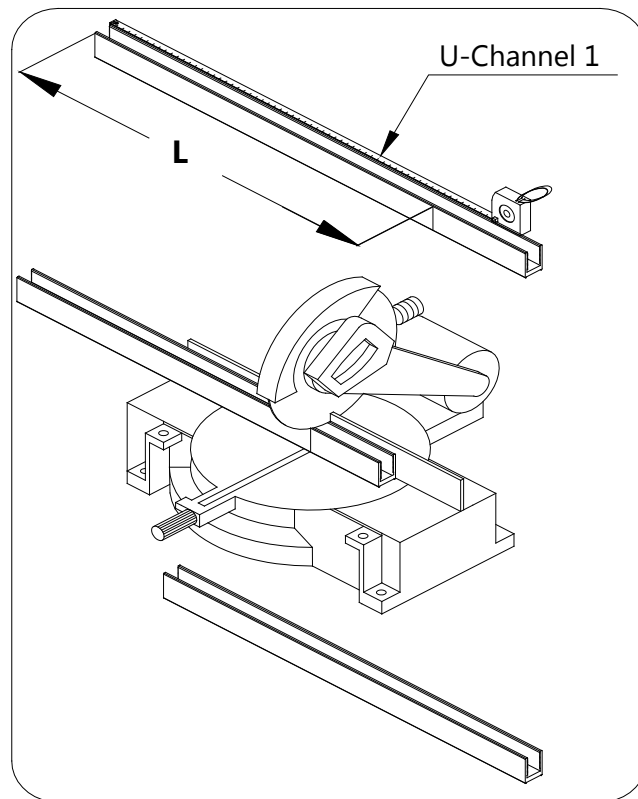
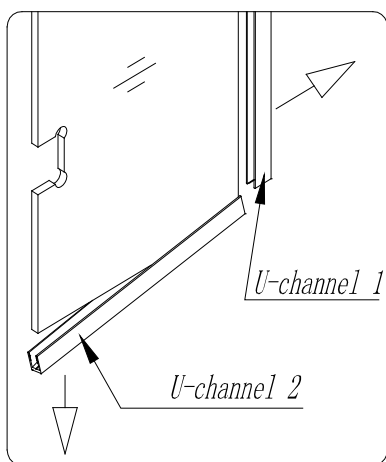


Fig 2.1

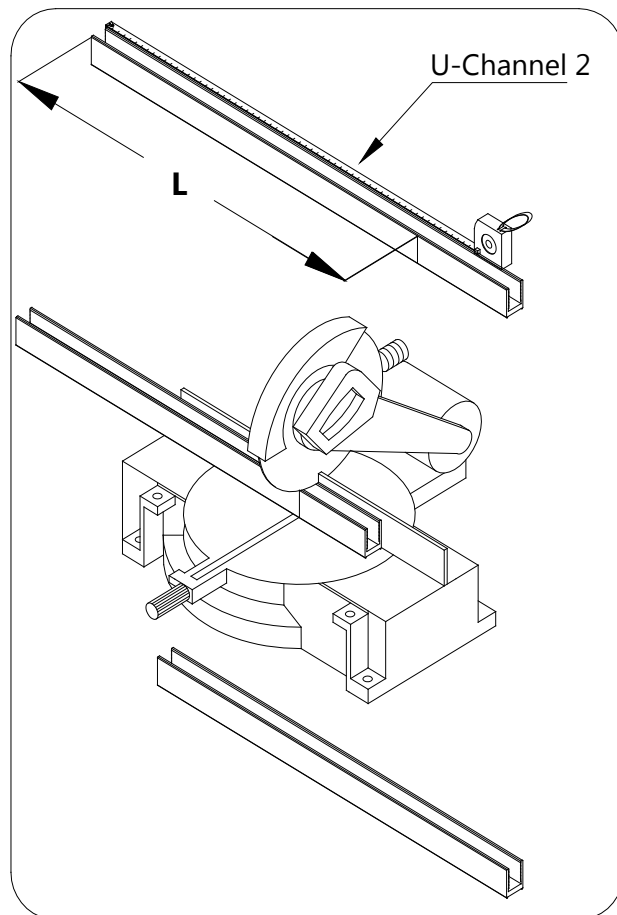


Fig 2.2

4. Position the **U-channel 2 (bottom profile) (#29)** onto the threshold along your line and mark the position of the holes for drilling. You need to use at least 3 holes for the **U-channel 2 (bottom profile) (#29)**: one near each end and one near the center.

- Drill the holes into the threshold using an **1/8" Ø** drill bit.
- Apply a bead of silicone to the bottom of the **U-channel 2 (bottom profile) (#29)** and attach it to the threshold using the **ST4.2 x 40mm screws (#23)**.

See Fig. 3 for details

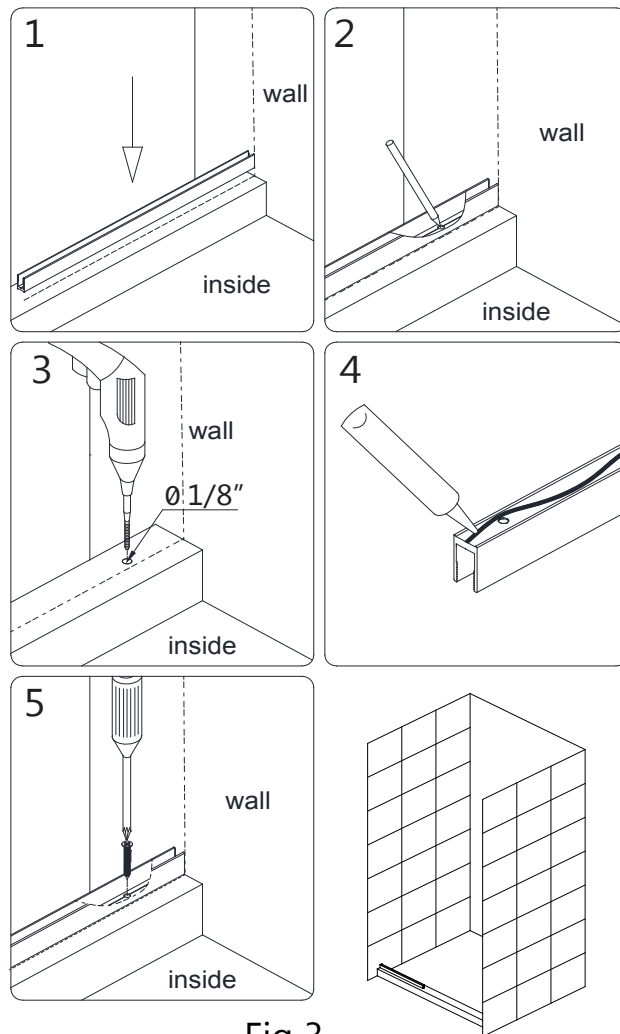


Fig 3

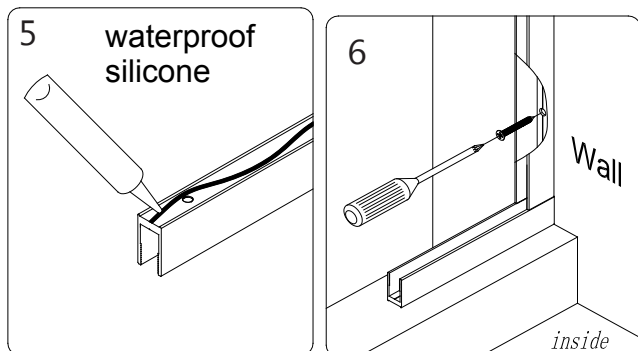
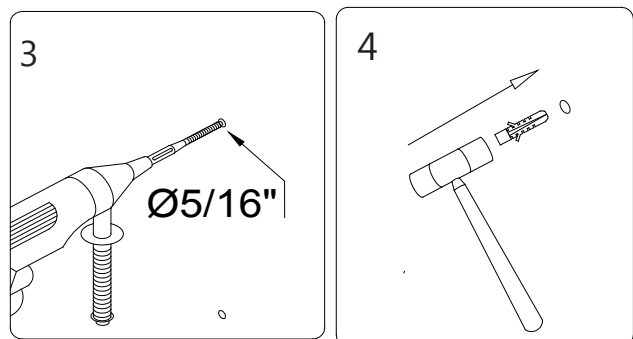
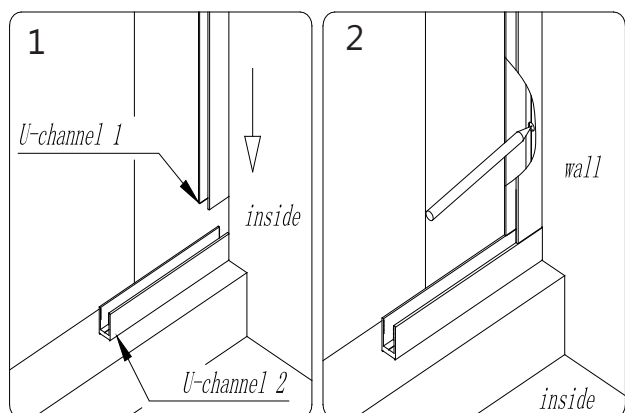
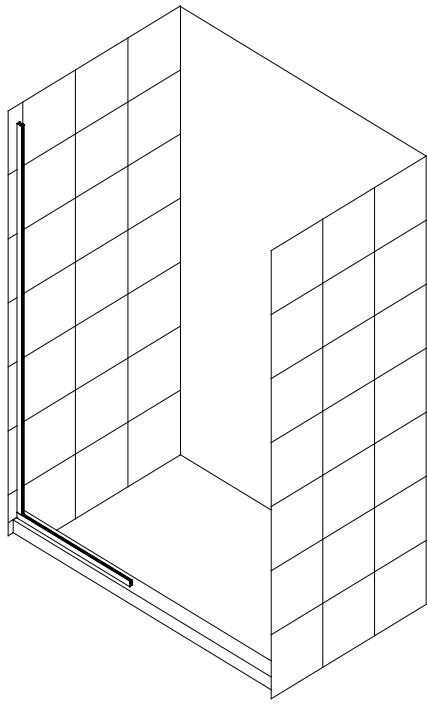


Fig 4

5. Next, position the **U-channel 1 (#09) (wall profile)** along your vertical line and mark the position of the holes for drilling. You need to use at least four holes for the **U-channel 1 (#09) (wall profile)**.

- Drill the holes into the wall using a **5/16" Ø** drill bit.
- Insert the **wall anchors (#13)** into your 5/16" holes.
- Apply silicone to the back of the **U-channel 1 (#09) (wall profile)** and attach it to the wall using the **ST4.2 x 40mm screws (#23)**.

See Fig. 4 for details



6. Apply good quality mildew resistant silicone into both u-channels.

- Add the **Adjustment spacers (#34)** from step#2 into to the bottom u-channel (Fig 5)

- Install the **Hinge Panel glass (#32)** into **U-channel 2 (#29) (bottom profile)** and the **U-channel 1 (#09) (wall profile)**. Apply silicone to the exposed end of the U-channel (Fig. 6).

See Fig. 5 for details

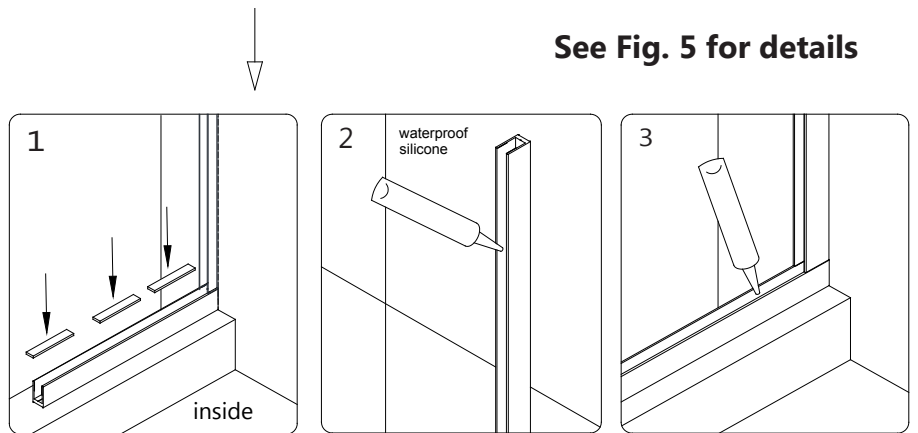


Fig 5

NOTE: There is a top and a bottom to the **Hinge panel glass (#32)**:

The **top hinge cutout** is 7-7/8" to center, the **bottom hinge cutout** is 8-3/8" to center. This glass must be installed correctly for a successful installation.

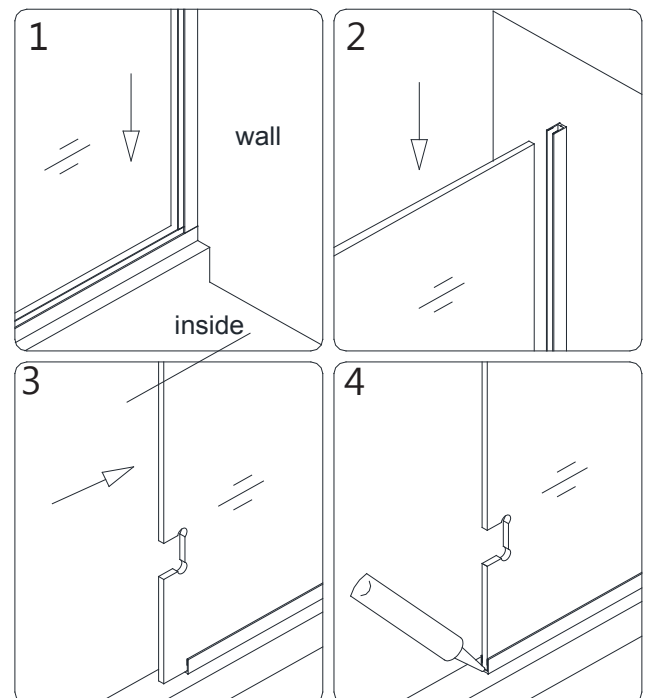
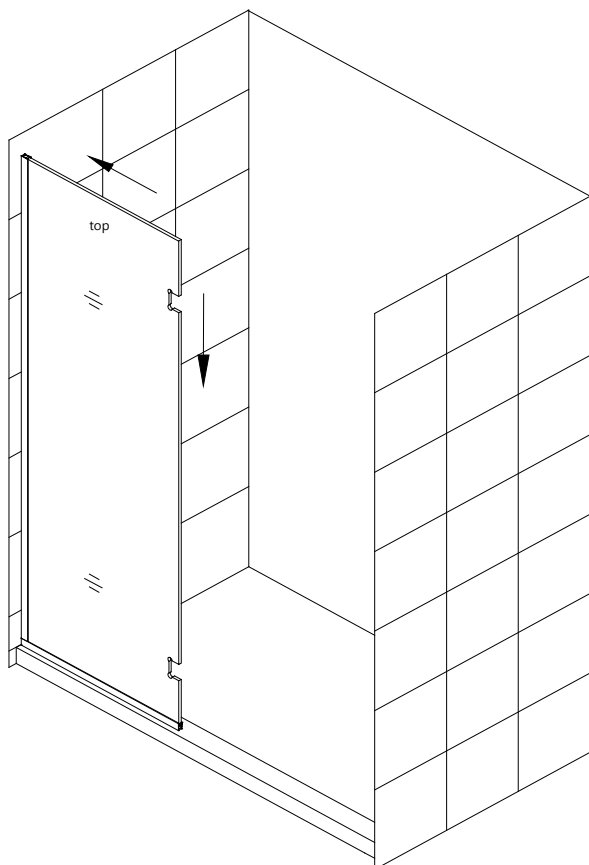


Fig 6

7. The **L-Bracket (#35)** is not included with the 6" hinge panel installation.

NOTE: If installing the **6" hinge panel glass (#32)**, it is **strongly recommended to allow the silicone to fully cure before hanging the door glass.**

If you are installing the **24" hinge panel glass (#32)**, continue onto step #8 for the installation of the **L-Bracket (#35)**.

See Fig. 7 for details

NOTE: If you have difficulty sliding the Stationary glass into the U-Channels, you can slightly tap on the Stationary glass with a rubber mallet and a piece of wood.

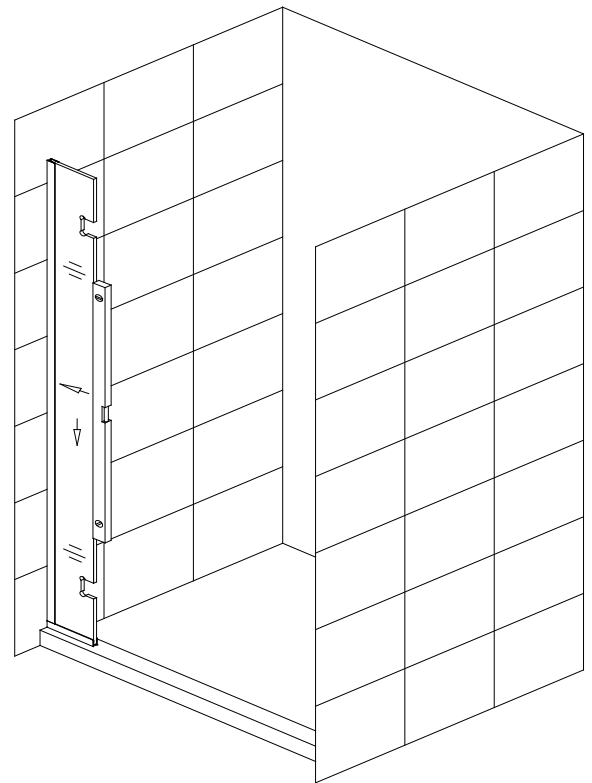
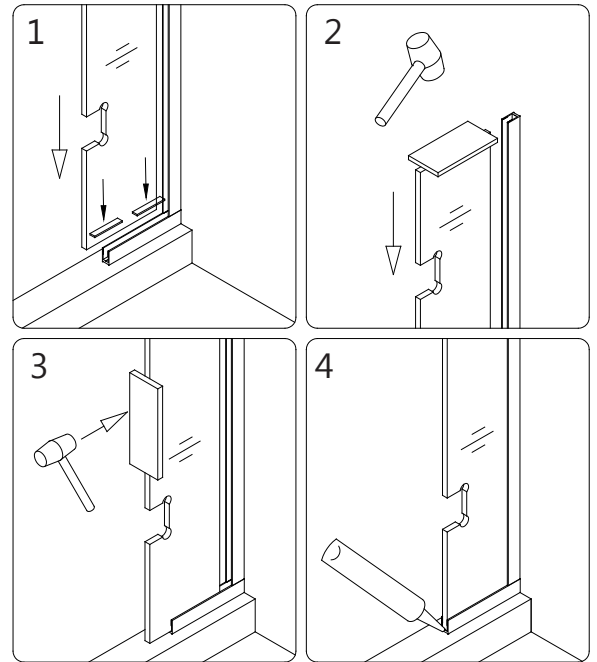
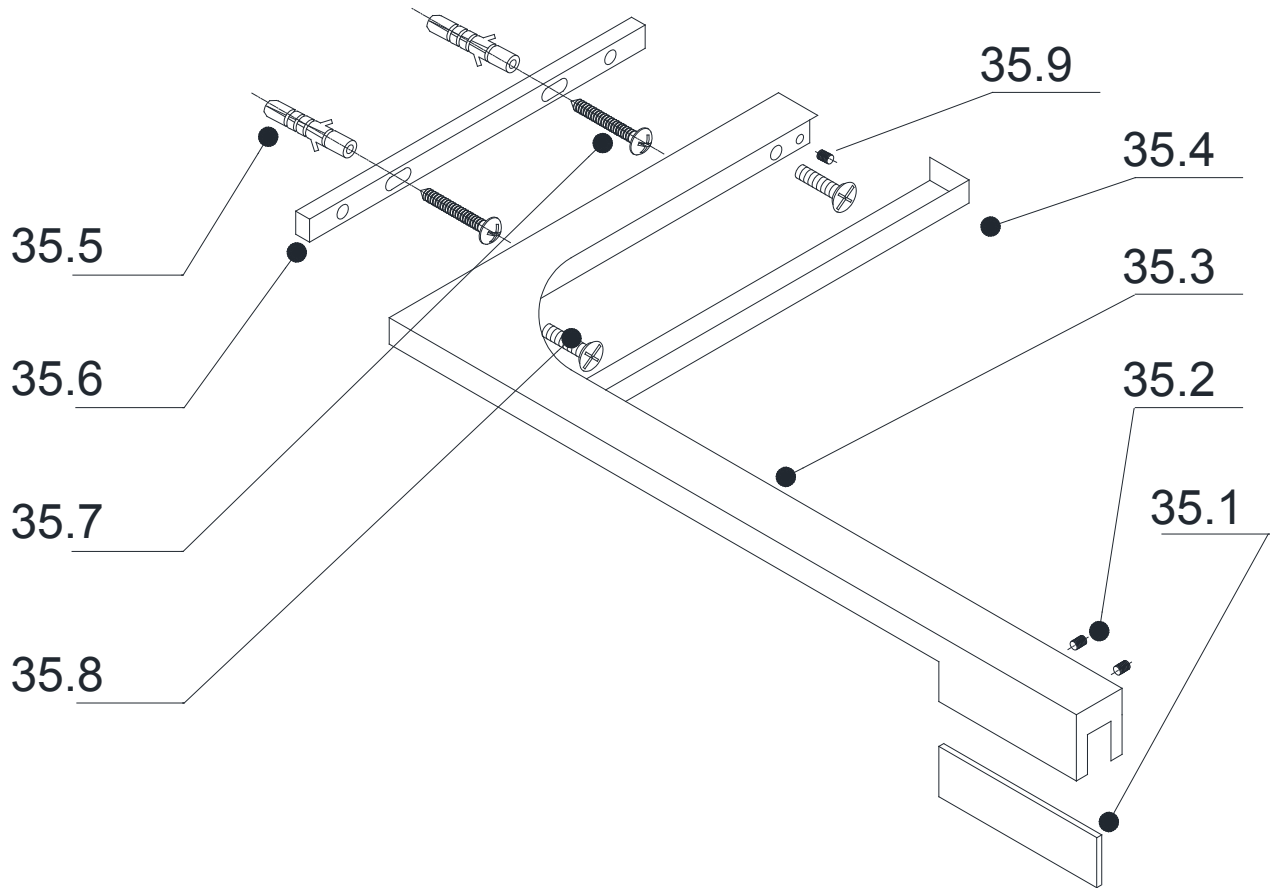


Fig 7

L- Bracket Assembly Parts List**



35.1	PVC spacer	1 pc	35.6	Wall plate	1 pc
35.2	Rubber tip set screw	2 pcs	35.7	Truss Head Screw ST 4.2 x 40	2 pcs
35.3	L-Bracket (left hand shown)	1 pc	35.8	Flat head Screw M5 x 14	2 pcs
35.4	Decorative cover	1 pc	35.9	Wall Plate adjutment set screw	2 pcs
35.5	Ø5/16" Wall anchor	6 pcs			

****L- Bracket Assembly not included with the 6" hinge panel**

Left hand bracket installation

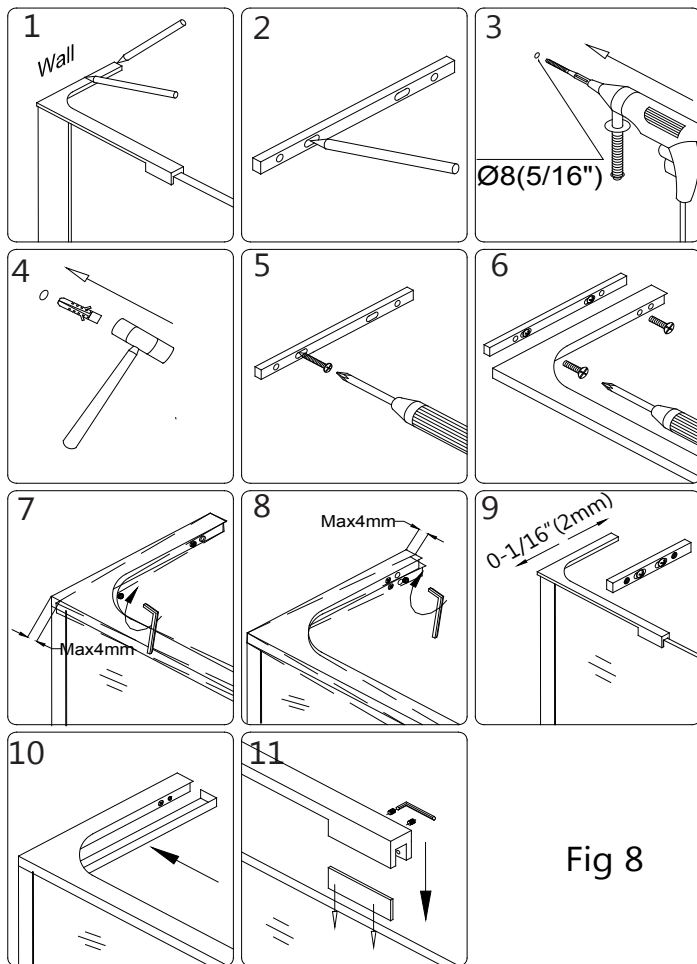
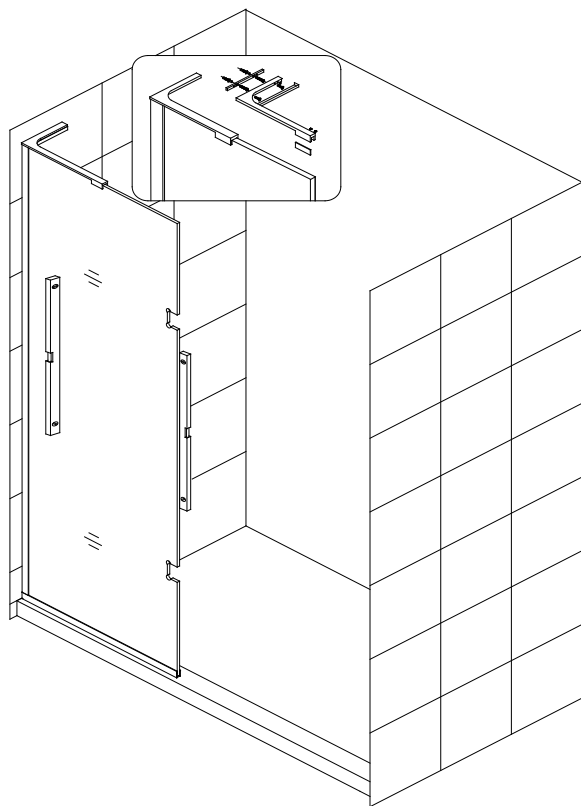


Fig 8

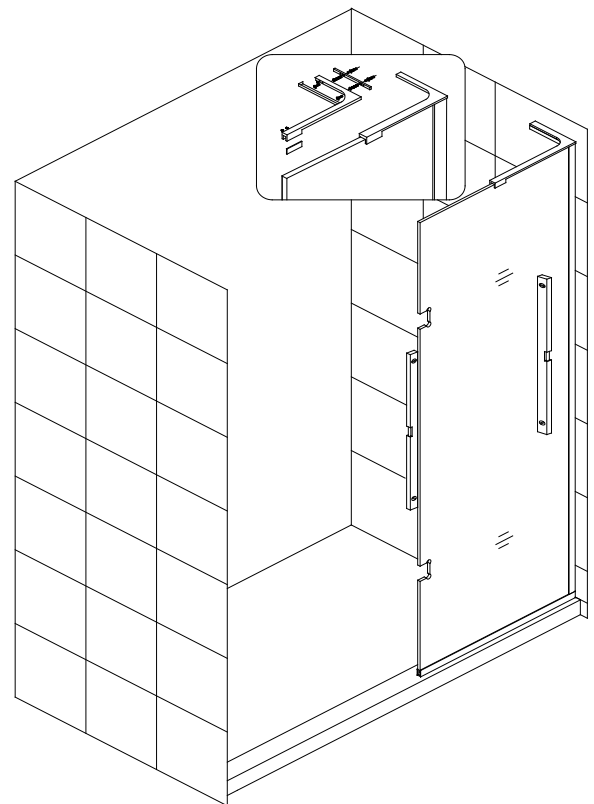
8. Install the L-Bracket assembly (#35) as shown.

See Fig. 8 & 9 for details

NOTE: The left hand L- bracket installation is shown. Follow the same steps to install the right hand L-bracket.



Left hand bracket installation

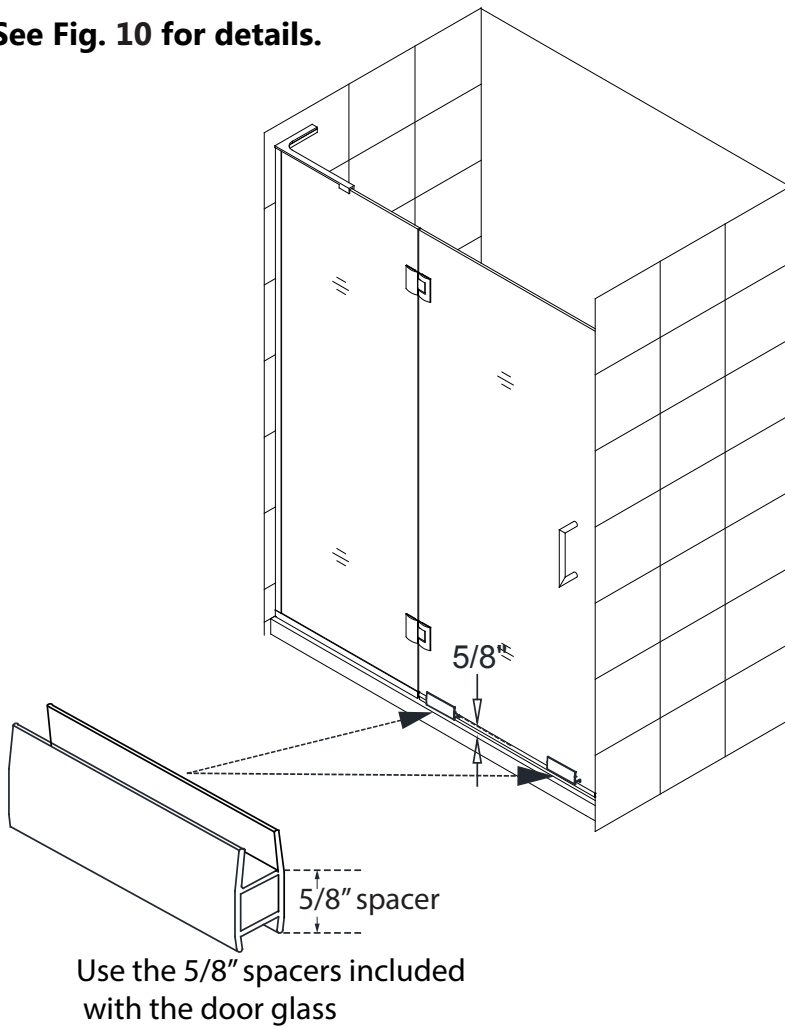


Right hand bracket installation

Fig 9

9. Attach the **Hinges (05)** to the **Hinge Panel glass (32)** with the decorative bolts facing inside the shower. The **Door Glass (01)** ships with four **5/8" shims** attached to the top (2pcs) and bottom (2pcs). Determine the swing of the door. Remove the shims from the top of the door glass and leave the bottom shims in place. Set the **Door Glass (01)** onto the threshold at the desired location and check for level. These 5/8" shims will leave the proper spacing at the bottom of the door glass and will ensure that the door height finishes at 72", but always confirm with a measurement. Level up the **Door Glass (01)** with the **Hinge Panel glass (32)** and fasten the hinges onto the **Door Glass (01)** using one gasket per side. Make sure the top edges of the **Door Glass (01)** and **Hinge Panel glass (32)** are aligned. Remove the 5/8" spacers from beneath the Glass door.**

See Fig. 10 for details.



10. Mount the **Handle (02)** to the **Glass door (#01)**.

See Fig. 11 for details.

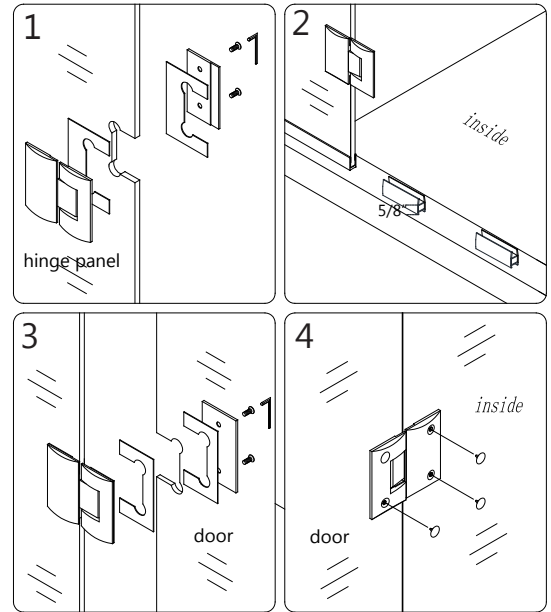


Fig 10

**** NOTE:** It is strongly recommended to leave the 5/8" shims beneath the door glass until the silicone securing the hinge panel glass has fully cured.

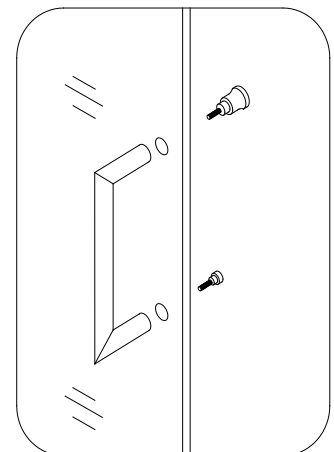


Fig 11

11. Measure the bottom of the **Glass door (#01)** from end to end to determine the actual width of the door. Cut the **Bottom anti-water strip (#07)** to the size of your measurement and notch $\frac{3}{8}$ " of the inner side of the **Bottom anti-water strip (#07)** as shown in Fig 12. Press the **Bottom Anti-water strip (#07)** onto the bottom edge of the **Glass door (#01)**.

NOTE: Make sure the **Bottom anti-water strip (#07)** is flush to the vertical edge of the Handle side of the **Glass door (#01)**.

See Fig. 12 for details

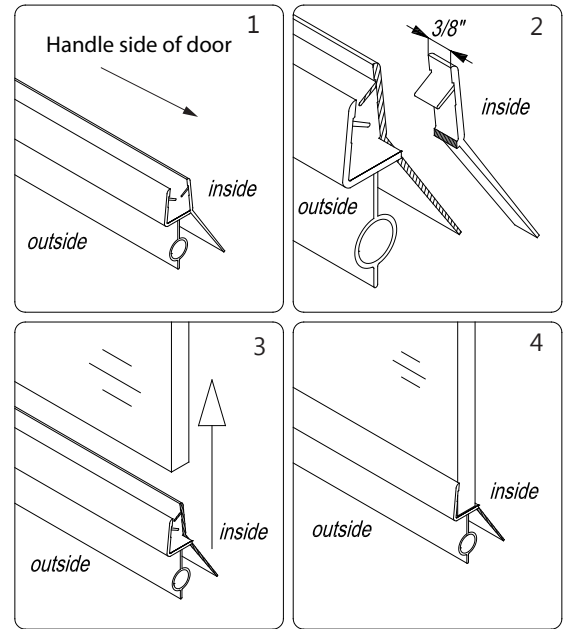


Fig 12

12. To install the **Flanged side strip (#33)**, take three measurements :

- from the top edge of the **Glass door (#01)** to the top of the center portion of the top **Hinge (#06)** (see Fig 13.1 for an example to use for all three measurements)
- from the bottom of the center portion of the top Hinge to the top of the center portion of the bottom **Hinge (#05)**
- from the bottom of the center portion of the bottom **Hinge (#05)** to the threshold

Cut the **Flanged side strip (#33)** according to these measurements.

Notch the cut strips to be able to slide them into the Hinges and around the installed **Bottom anti-water strip (#07)** to cover the space between both glass panels.

Open the door and press the cut strips onto the vertical edge of the **Glass door (#01)** so that it will overlap the panel glass.

See Fig. 13 for details

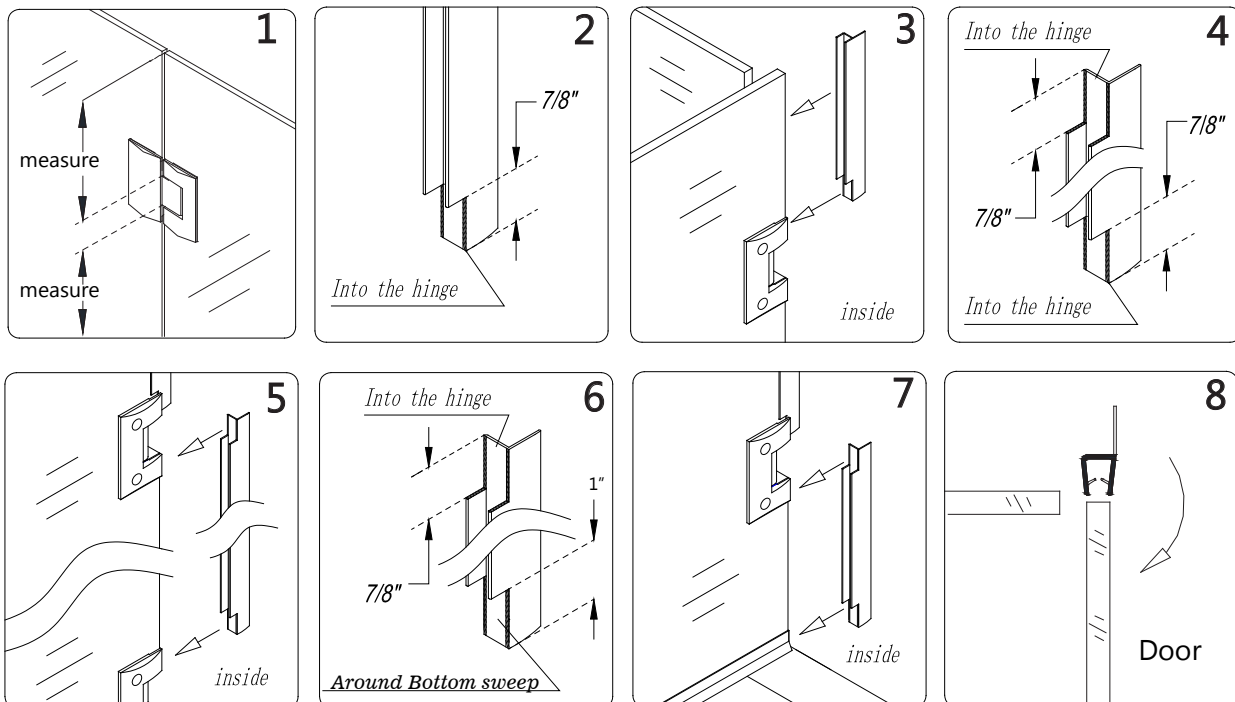


Fig 13

For Style M only: If your model does not include additional panel glass, proceed to install the **L-shaped strip (#08)** to the wall for the door to close against to seal.

ATTENTION:

Prior to the next step, please be sure that the section of the wall where you need to attach the **L-shaped strip (#08)** is clean, dry and free from soap, oil and any construction debris.

13. With the door closed place the **L-shaped strip (#08)** on the door edge and mark its location on the wall.

Please note that the corner of the **L-shaped strip (#08)** should face inward.

With the door opened, remove the tape backing from the adhesive strip and firmly press the **L-shaped strip (#08)** to the wall. Allow time for the adhesive to set before allowing the door to close against the **L-shaped strip (#08)**.

See Fig. 14 for details

NOTE:

The above procedure for installing the **L-shaped strip (#08)** is for the **Unidoor Style M** shower door only. If installing another model please refer to the separate panel glass installation manual located in the glass packaging for model specific instructions. Hinges set to over-close require the use of the **L-shaped strip (#08)** or other strike vinyl.

NOTE:

If the model included adjustable hinges, see page #19 for the adjustable hinge instructions.

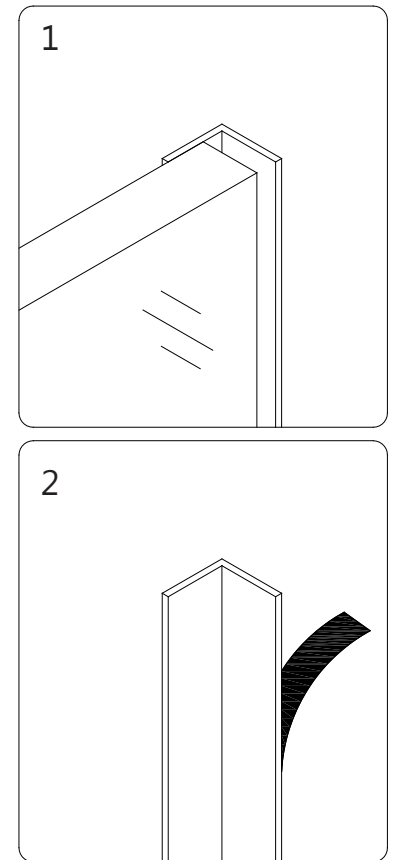
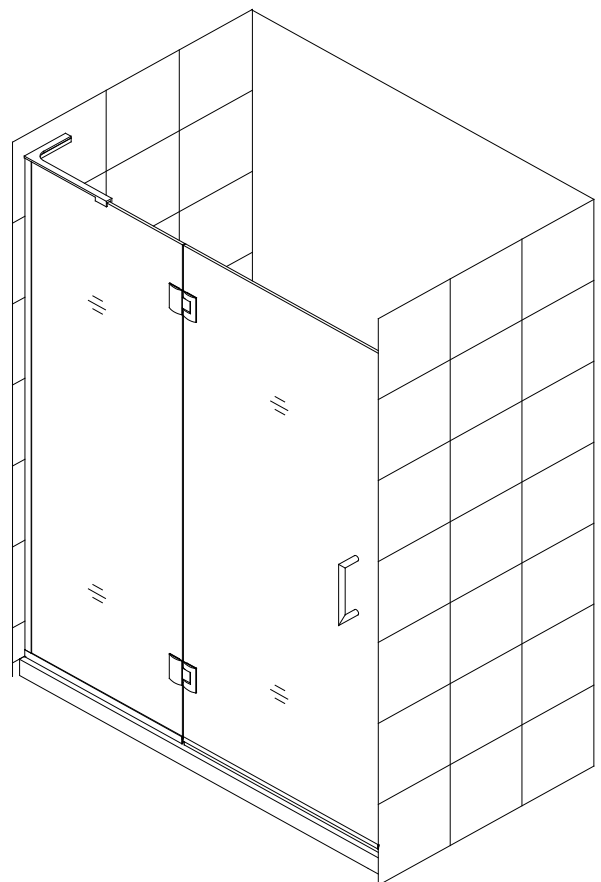


Fig 14



14. With the door open apply waterproof silicone along the connection of both U-Channels to the wall and threshold on the inside of shower.

NOTE: The surface needs to be clean and free of debris before applying silicone. Let the silicone cure before closing the door to avoid contact with the **Bottom anti-water strip (#33)**.

See Fig. 15 for details

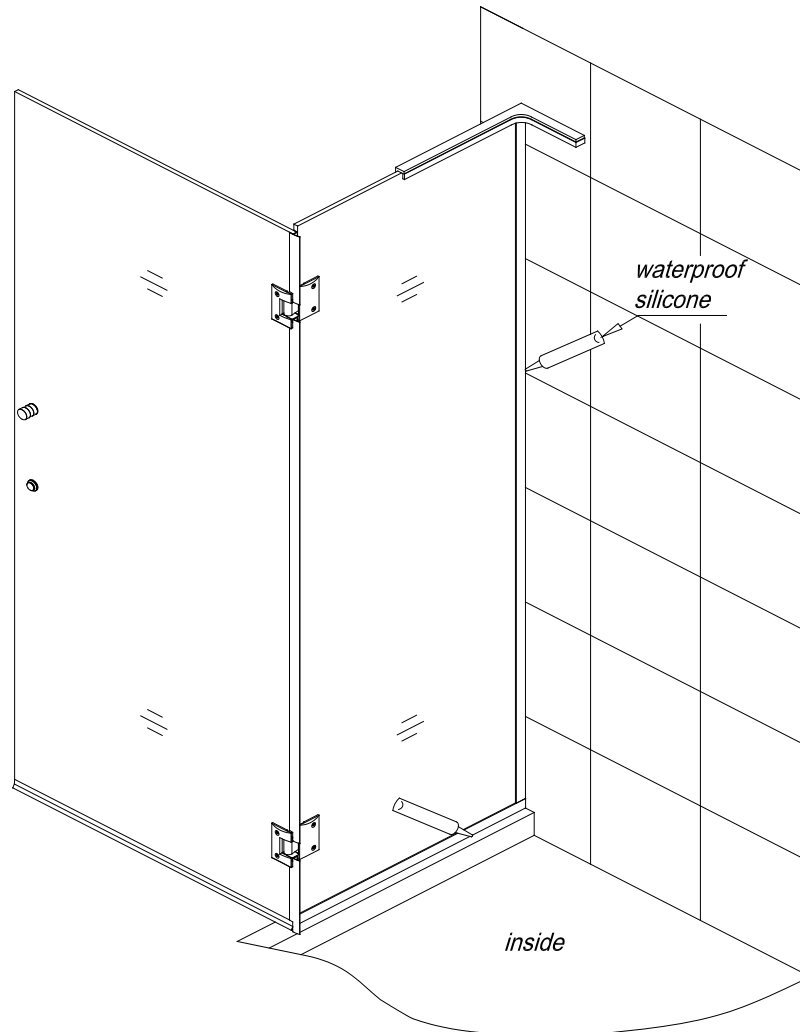


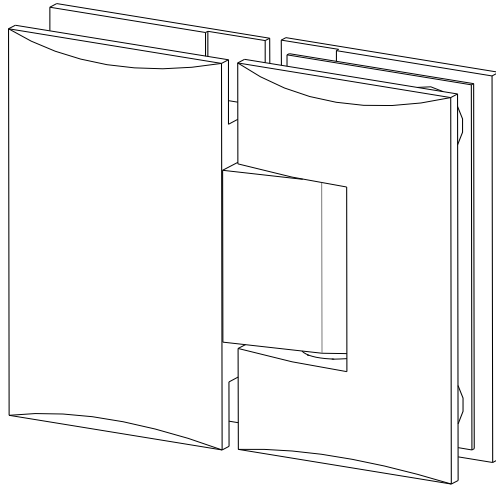
Fig 15

15. Allow 24 hours for the silicone to fully cure before using the shower.

NOTE: If your model includes additional panel glass, please find the manual for the panel glass installation in the panel glass packaging.



HG-PRS20A Adjustable Hinge Manual



Installation & Adjustment

1. Make sure the door glass is plumb and the edge of the hinge is installed flush with the glass edge. Tighten the faceplate screws. (Figure 1)

2. The hinges are set to overclose at 172°. You can change this angle by using the adjustment screws on the hinge plate. (Figure 2)

3. Use the supplied Allen Key to loosen the adjustment screws on the hinge plate, adjust the door to the desired angle then tighten the adjustment screws. (Figure 3)

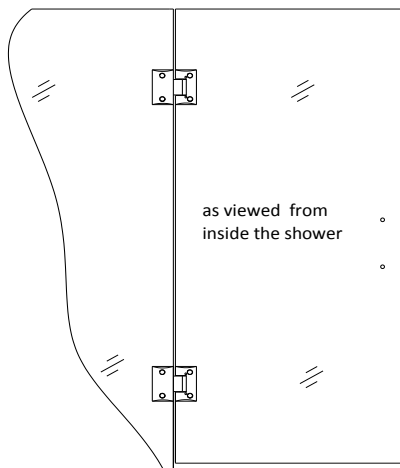


Figure 1

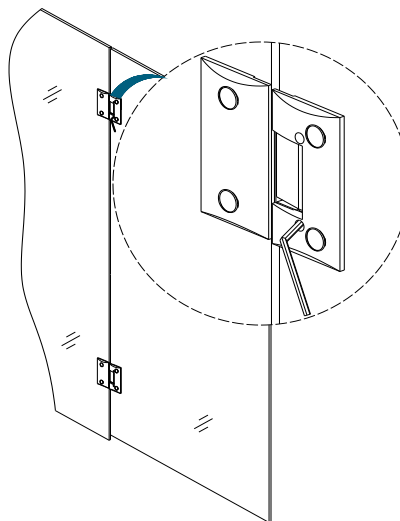


Figure 2

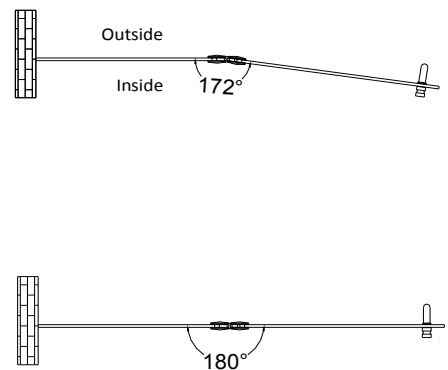


Figure 3

Safe Use & Daily Maintenance

- The overclose setting requires strike vinyl for the door to close against and seal.
- Use a soft cloth to clean the hinge surfaces. Do not use abrasives or acidic liquids as this will damage the finish.
- Be careful not to scratch the finished surfaces of the hinge during installation.

Product Maintenance

BASES and BACKWALLS: To ensure long lasting life for your acrylic back walls: wipe them off after each use with a soft cloth. To clean the acrylic back walls use non-abrasive sprays or cream based cleaners. Avoid the use of aerosol spray cleaners. Never use abrasive cleansers, metal brushes or scrapers that could scratch or dull the surface.

GLASS: To ensure long lasting life for your glass shower products: wipe them off after each use with a soft cloth. Rinse and wipe off the glass using either a soft cloth or a squeegee to prevent soap buildup and water spots (Hard water can etch the surface of the glass over time if left to dry). To prevent scratching the surface: never use abrasive cleaners or cleaning products that contain scouring agents. Never use bristle brushes or abrasive sponges that may scratch the surface.

HARDWARE: To ensure a long lasting finish: wipe off the metal parts after each use with a soft cloth. Do not use abrasive cleaners or cleaning products containing ammonia, bleach or acid. If accidentally used, rinse the surface as soon as possible to prevent damage to the finish (peeling or corrosion). After cleaning the polished finishes, rinse thoroughly and wipe dry with soft cloth.

Clean stainless steel surfaces at least once a week. When applying stainless steel cleaner or polish to stainless steel hardware, work with (not across) the grain. Never use an abrasive sponge or cloth, steel wool or wired brush as these may permanently scratch the surfaces.



TEL: 866-731-2244

FAX: 866-857-3638

DREAMLINE.COM

For more information on DreamLine® Shower Doors and Enclosures please visit DreamLine.com

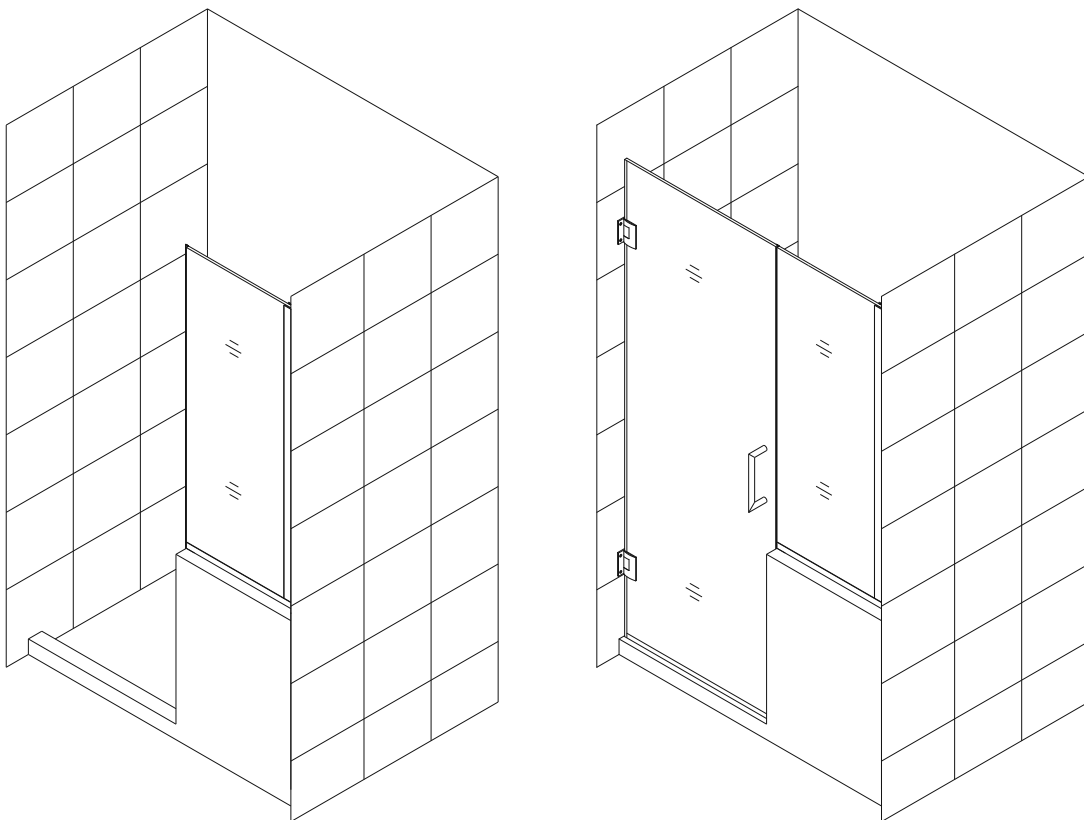


UNIDOOR (STYLE G)

SHOWER DOOR GLASS PANEL INSTALLATION INSTRUCTIONS

IMPORTANT

DreamLine® reserves the right to alter, modify or redesign products at any time without prior notice. For the latest up-to-date technical drawings, manuals, warranty information or additional details please refer to your model's web page on **DreamLine.com**



Style G

Right side panel installation shown

Please read these instructions carefully before installing. If you have any questions regarding installation, please contact our technical support specialists Monday through Friday 8:00 AM -7:00 PM EST at Phone: [1-866-731-2244](tel:1-866-731-2244), Fax: [1-866-857-3638](tel:1-866-857-3638) or e-mail our technical support group at Support@DreamLine.com

For more information about DreamLine® products please visit DreamLine.com

Model #s

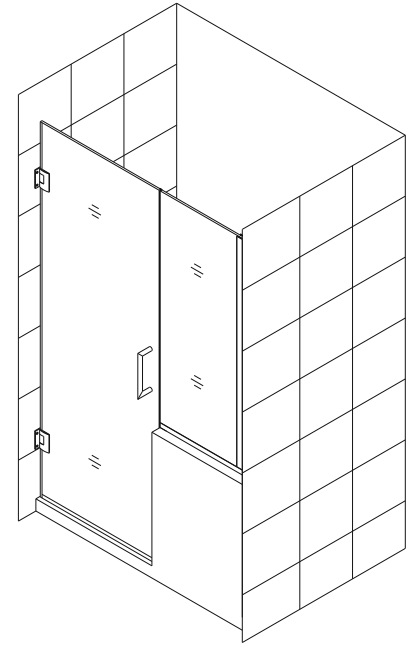
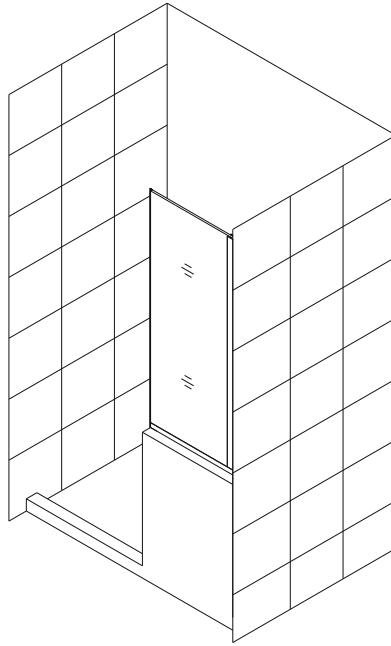
- SHDR-24232434-##
- SHDR-24232436-##
- SHDR-24233634-##
- SHDR-24233636-##
- SHDR-24242434-##
- SHDR-24242436-##
- SHDR-24243634-##
- SHDR-24243636-##
- SHDR-24273034-##
- SHDR-24273036-##
- SHDR-24273634-##
- SHDR-24273636-##
- SHDR-24283034-##
- SHDR-24283036-##
- SHDR-24283634-##
- SHDR-24283636-##
- SHDR-24293034-##
- SHDR-24293036-##
- SHDR-24293634-##
- SHDR-24293636-##
- SHDR-24303034-##
- SHDR-24303036-##
- SHDR-24303634-##
- SHDR-24303636-##

= finish

01 – Chrome

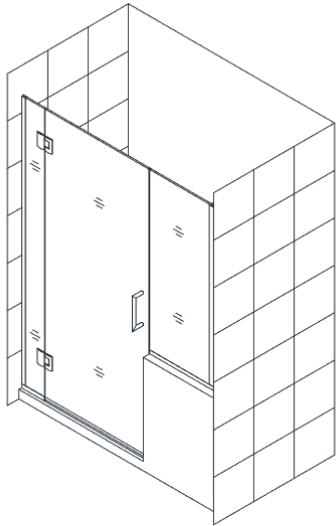
04 – Brushed Nickel

06 – Oil Rubbed Bronze

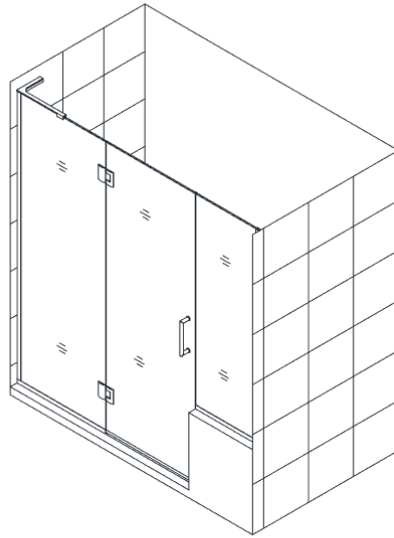


Style G

ADDITIONAL MODEL CONFIGURATIONS for UNIDOOR- X GLASS-TO-GLASS HINGE DOORS



Style M2⁶



Style M2²⁴

Model #s

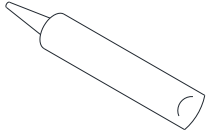
D3242436R-##	D1263036
D3242436L	D1263034
D3242434R	D1262436
D3242434L	D1262434
D3232436R	D1253636
D3232436L	D1253634
D3232434R	D1253036
D3232434L	D1253034
D1303636	D1252436
D1303634	D1252434
D1303036	D1243636
D1303034	D1243634
D1302436	D1243036
D1302434	D1243034
D1293636	D1242436
D1293634	D1242434
D1293036	D1233636
D1293034	D1233634
D1292436	D1233036
D1292434	D1233034
D1283636	D1232436
D1283634	D1232434
D1283036	
D1283034	
D1282436	
D1282434	
D1273636	
D1273634	
D1273036	
D1273034	
D1272436	

Preparation

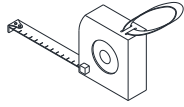
1. Prior to installation, examine all boxes and packages for shipping damage and compare the piece count with your packing slip. After opening all boxes and packages read this introduction carefully. Check that all of the needed parts are included in the package by checking off the components on the "Detailed Diagram of Shower Door Components". If the unit has been damaged, has a finishing defect, or has missing parts, please contact our customer support department within **3 business days** of the delivery date. Please note that **DreamLine® will not replace any damaged products or missing parts free of charge after 3 business days or if the product has been installed.** Feel free to contact DreamLine® if you have any questions and please provide an order number, job name or other proof of purchase to help us identify your original order.
2. If this unit is going to be installed in a new construction, install all of the required plumbing and drainage before installing the shower. **Use a competent and licensed (if required by local code) plumber for all plumbing installation.**
3. **Please note that you should consult your local building codes with questions about installation compliance standards. Building and plumbing codes may vary by location, and DreamLine® is not responsible for code compliance standards for your project and will not accept any returns.**
4. Please make sure that prior to beginning the installation, the surfaces are leveled and solid and will be able to support the total weight of the unit. Also make sure the walls are at right angles. Irregular installation surface level, radius corners or improper angle of side walls will result in serious problems for your installation. Please note that some adjustments and drilling may be necessary during the installation process.
5. Please protect all primary surfaces of the product during installation. Never set your glass down directly onto a tile floor. Leave corner protectors in place until necessary to remove them. Always use a piece of wood or cardboard to protect the bottom edge and corners of the glass prior to and during installation.
6. This unit must be installed upon a finished threshold and against finished walls.
7. This model requires that you drill into the threshold for proper installation.
8. This model has **1/2" of adjustment within the u-channel** for out-of-plumb wall conditions and overall width within the model size. Confirm the finished opening conditions before proceeding with the installation.
9. This model requires a minimum 5/8" of flat threshold space for installation.
10. **Professional installation is recommended** for this heavy glass frameless shower door.

NOTE: This door is reversible for right or left side panel installation. The right side panel installation is shown as an example throughout this manual. For the left side panel installation, simply begin on the opposite wall and reverse the orientation of the steps shown.

Tools Required



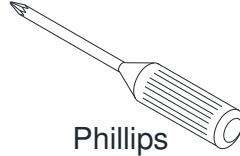
Caulk



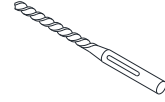
Tape Measure



Pencil



Phillips Screwdriver



Drill bit (Ø=5/16")



Drill bit (Ø=1/8")



Level



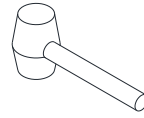
Caulk Gun



Electric Drill



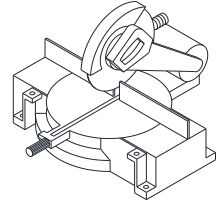
Hammer



Mallet

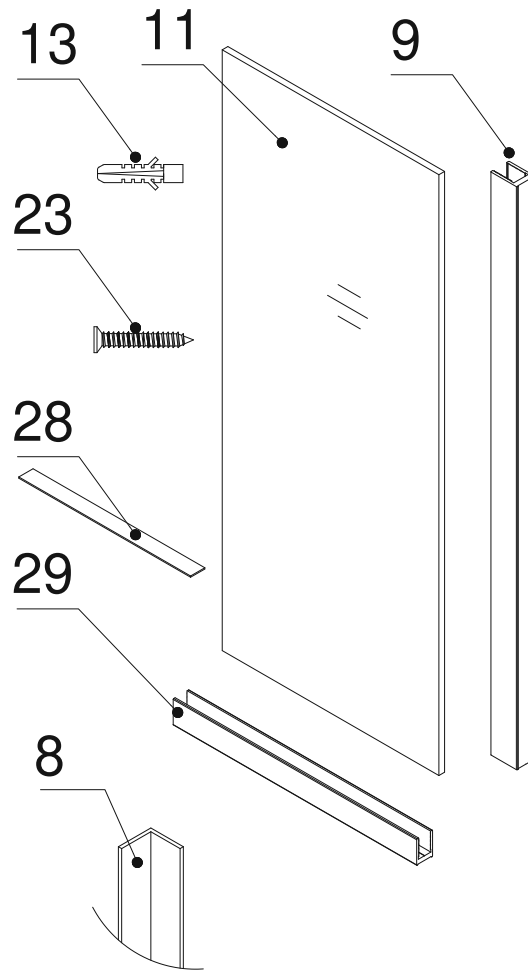


Wood



Miter saw

Detailed Diagram of Glass Panel Components



Packing List

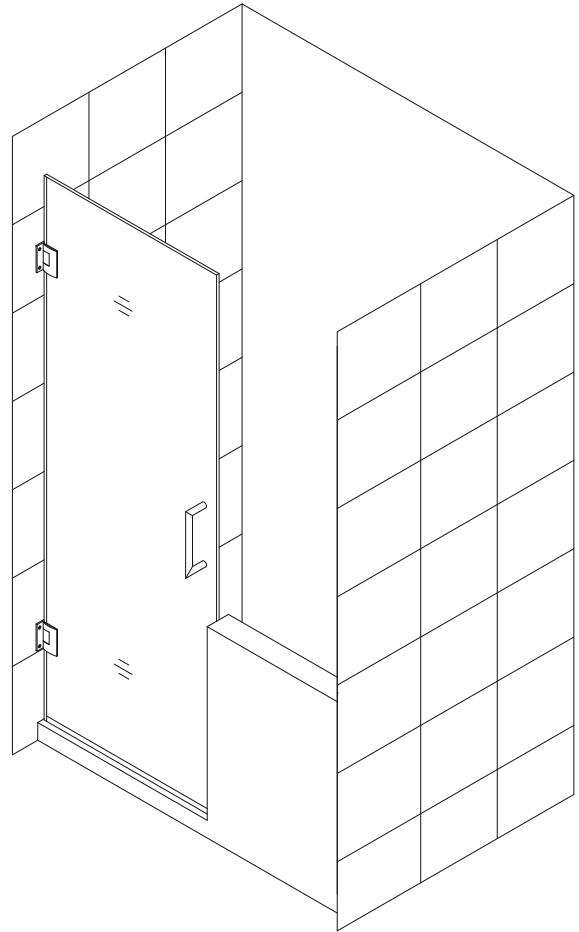
08	L-shaped strip *	1pc	23	Countersunk screw ST4.2x40	14pcs
09	U-channel 1 (76", wall profile)	1pc	28	Adjustment spacer	6pcs
11	Stationary glass	1pc	29	U-channel 2 (44", bottom profile)	1pc
13	Ø5/16" Wall anchor	14pcs			

NOTE: Unpack your unit carefully and inspect it. Identify all parts using the detailed diagram and packing list in this manual as a reference. Before discarding the carton, check for small hardware bags that may have fallen to the bottom of the box. If any parts are damaged or missing, please contact DreamLine® for replacement. The shipping boxes may contain extra parts not used in your model configuration.

*** ATTENTION:** The L-shaped strip (08) can be found in the glass door packaging and is included in the above Packing List as a reference only. The L-shaped strip (08) installation is shown in **step #12 of this manual.** **NOTE:** Retain these installation instructions for future reference.

Style "G": 6"-34" In-Line Half Wall Stationary Panel Installation

NOTE: The Unidoor shower door needs to be installed prior to proceeding with the following Stationary Glass installation instructions. Please see the Single Shower Door installation manual included in the door packaging for complete shower door installation instructions. Before you begin the installation, please recheck your shower opening size. Specific size information can be found on our website at DreamLine.com



NOTE: The Unidoor hinge is designed to over close 8°. The following procedure is recommended to ensure proper alignment of the panel glass and door.

1. Align the **Door** so that it is perpendicular to the wall and parallel to the threshold. Measure across the bottom span of the **Door** and threshold on the outside of shower and determine an equal value. Use a straight edge as guide to mark a line on the half wall ledge on the handle side for future reference.

See Fig. 1 for details.

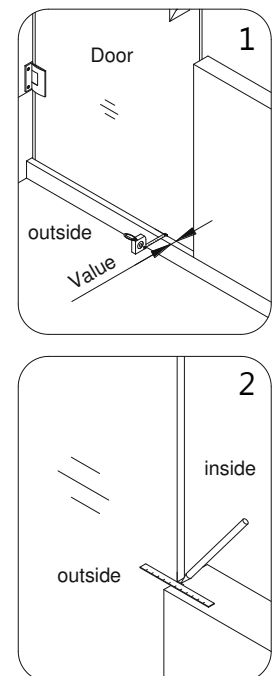


Fig. 1

NOTE: Use parts from “Detailed Diagram of Glass Panel Components” for the Stationary Glass assembly and installation.

2. Measure the actual width and height of your **Stationary glass (11)**.

See Fig. 2 for details.

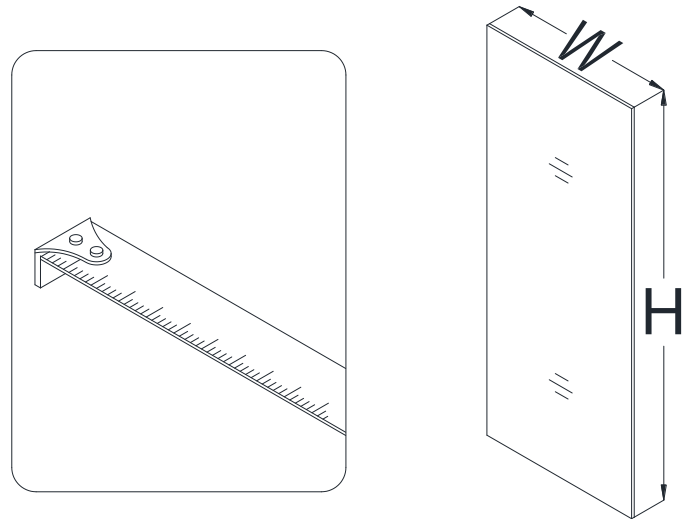


Fig. 2

3. **NOTE:** You will be doing straight cuts for this stationary panel installation.

***It may be necessary to remove any burrs from the cut end of the U-channels with a metal file before placing the U-channel onto the glass.**

- a) Use a miter saw to rough cut the **U-channel 2 (44", bottom profile)** to the actual width of the glass (+) 1".
- b) Use a miter saw to rough cut the **U-Channel 1 (76", wall profile) (09)** to the actual height of the glass (+) 1".

See Fig. 3 & 4 for details.

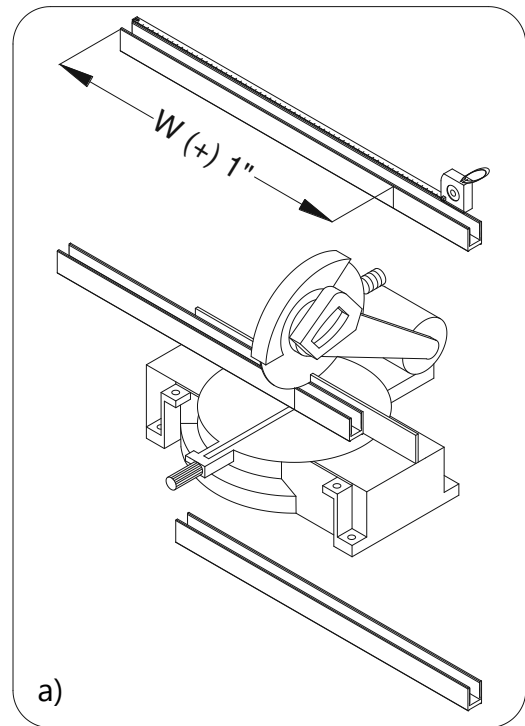


Fig. 3

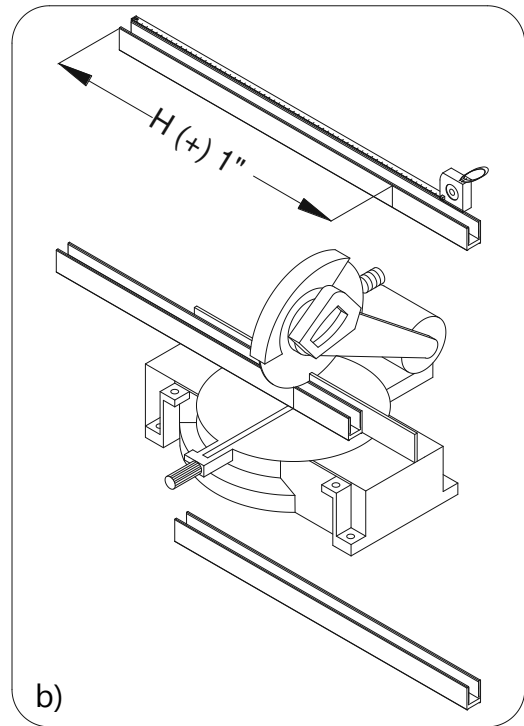


Fig. 4

4. Slip the cut **U-channel 2 (bottom profile) (29)** and **U-channel 1 (wall profile) (09)** onto the **Stationary glass (11)** in the shown locations.

With the door open, place the **Stationary glass** on the half wall ledge opposite of door. Adjust the **Stationary glass** and **U-channel 1 (wall profile)** against the wall to compensate for any out of plumb conditions ensuring that the **Stationary glass** is level vertically and **U-channel 1** is flush with the wall.

NOTE: The exposed vertical glass edge must be flush with the finished half wall's door side face.

Mark the **U-channel 2 (bottom profile)** end opposite of the wall at the exposed vertical glass edge.

Remove the **U-channel 2 (bottom profile)**. Leave the **U-channel 1 (wall profile)** on the **Stationary glass**. Set the **Stationary glass** aside.

Cut the **U-channel 2 (bottom profile)** at the mark. Slip the **U-channel 2 (bottom profile)** back onto the **Stationary glass**.

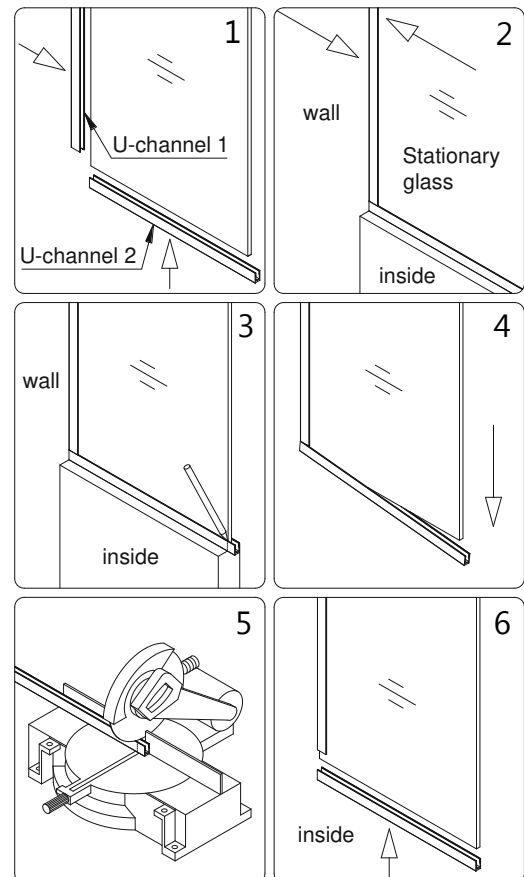


Fig. 5

See Fig. 5 for details.

- While securely holding the **Stationary glass (11)**, close the **Glass Door** and align the **Stationary glass** to it. Use the door mark on the ledge as a reference to ensure that the **Door** is perpendicular to the wall.

NOTE: The top of the Stationary glass must be leveled with the Glass door. By traversing across the top of both the Stationary glass and door, height differences can be measured. The Adjustment spacers (28) are provided to compensate for such differences by inserting them into the U-Channel 2 (bottom profile) (29). Please make note of the spacer size that is needed for your situation.

Ensure that the **Stationary glass** is level vertically and precisely in line with **Door**. The **U-channel 1 (wall profile) (09)** will remain flush against the wall. Outline the position of the **Stationary glass** along the inside edge of both **U-channels** on the wall and half wall ledge.

Mark the **U-channel 1 (wall profile) (09)** at the top horizontal glass edge. The height of this mark will change if spacers are needed.

See Fig. 6 & 7 for details.

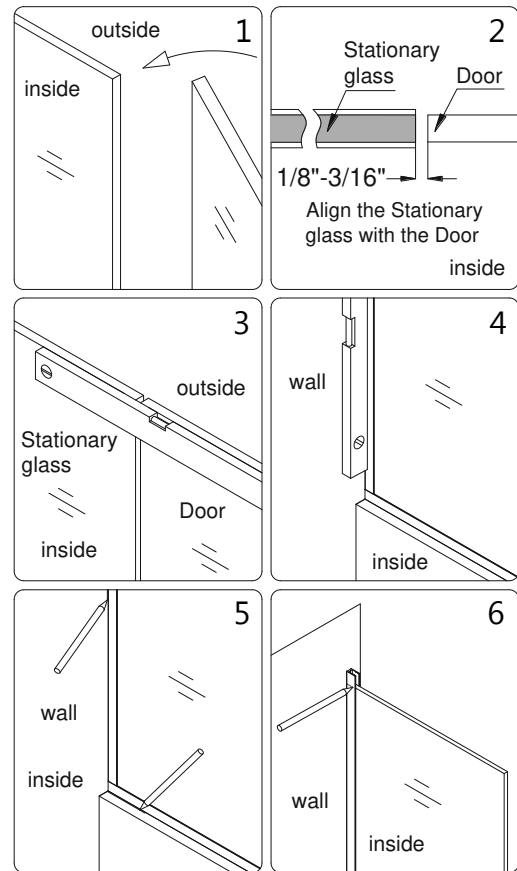


Fig. 6

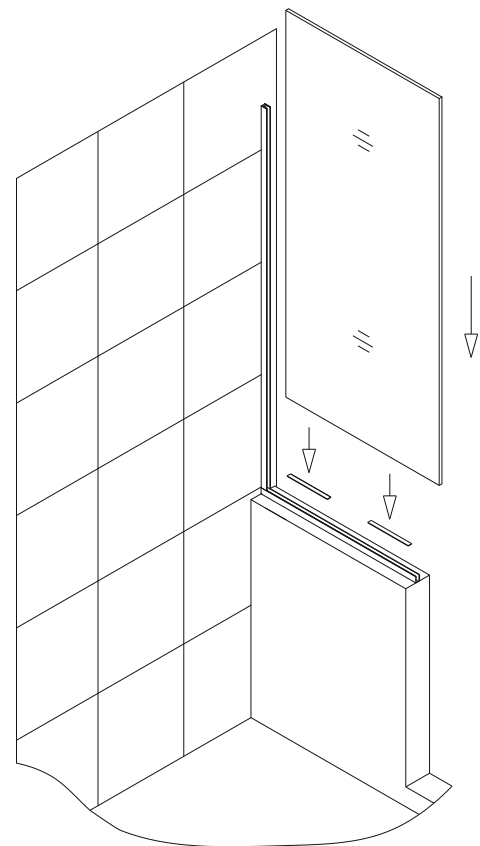


Fig. 7

6. Remove the **U-Channel 2 (bottom profile) (29)** and **U-channel 1 (wall profile) (09)** from the **Stationary glass (11)**. Carefully set the **Stationary glass** aside.

See Fig. 8 for details.

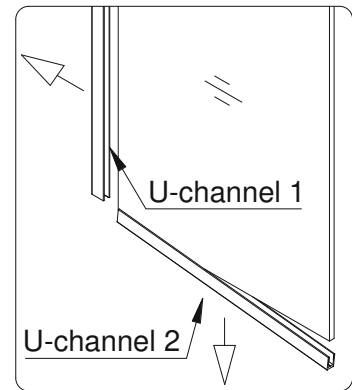


Fig. 8

7. Place the cut **U-Channel 2 (bottom profile) (29)** onto the ledge in line with the inside mark.

Mark the drill holes on the ledge through the predrilled holes in the **U-Channel 2** and drill the holes using **Ø5/16" drill bit**.

Insert the **Ø5/16" Wall anchors (13)**.

Apply waterproof silicone along the bottom surface and around the holes of the **U-Channel 2** and fasten it to the ledge with the **Countersunk screws ST4.2×40 (23)**.

NOTE: The surface needs to be clean and free of debris before applying silicone.

See Fig. 9 & 10 for details.

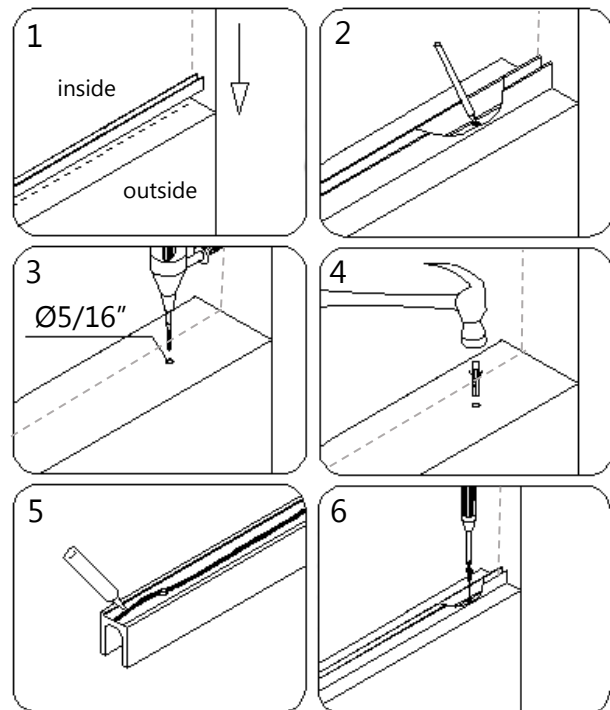


Fig. 9

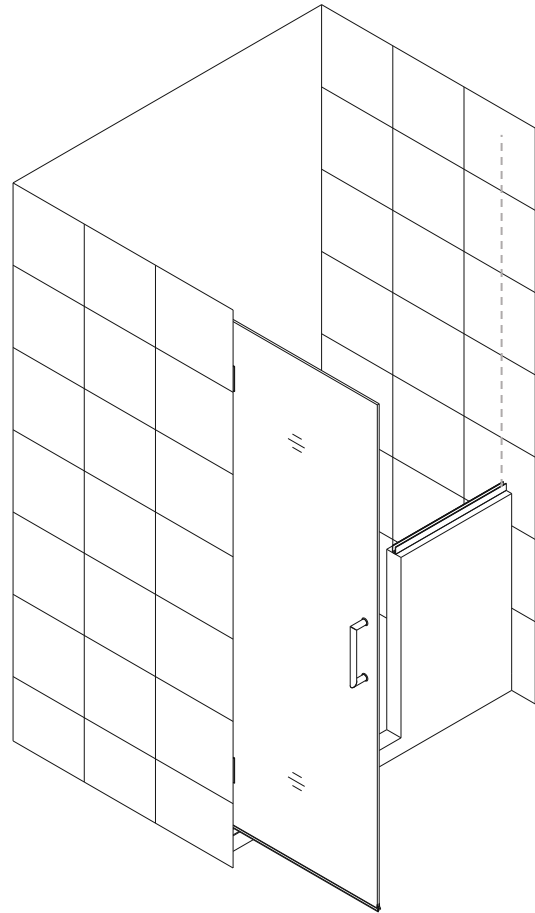


Fig. 10

8. Cut the **U-channel 1 (wall profile) (09)** at the top mark that was made in step #5. Place the **U-Channel 1 (wall profile)** on the **U-Channel 2 (bottom profile) (29)** and align vertically with the inside wall mark.

Mark the drill holes on the wall through the predrilled holes in the **U-Channel 1**.

Now drill holes in the wall using **Ø5/16 drill bit** and insert the **Ø5/16" Wall anchors (13)**.

See Fig. 11 for details.

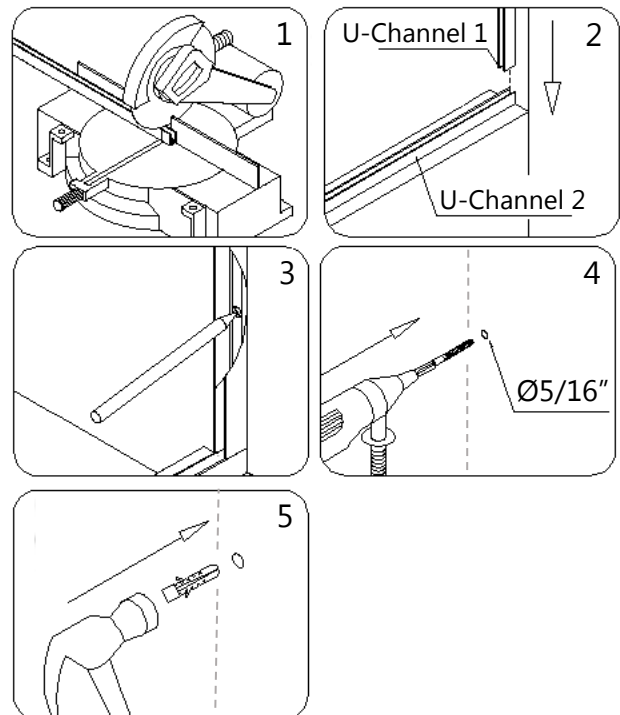


Fig. 11

9. Apply waterproof silicone along the bottom surface and around the holes of the **U-Channel 1 (wall profile) (09)**. Fasten the **U-Channel 1** to the wall with the **Countersunk screw ST4.2x40 (23)**.

Insert the provided **Adjustment Spacers (28)** into **U-Channel 2 (bottom profile) (29)** for minor adjustments if necessary.

Apply Waterproof silicone into the groove of both **U-Channels**.

NOTE: The surface needs to be clean and free of debris before applying silicone.

See Fig. 12 & 13 for details

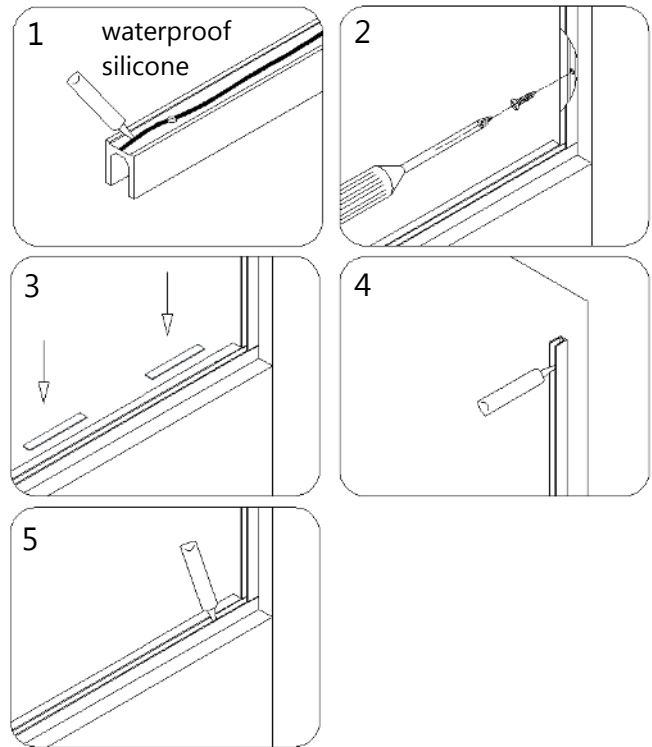


Fig. 12

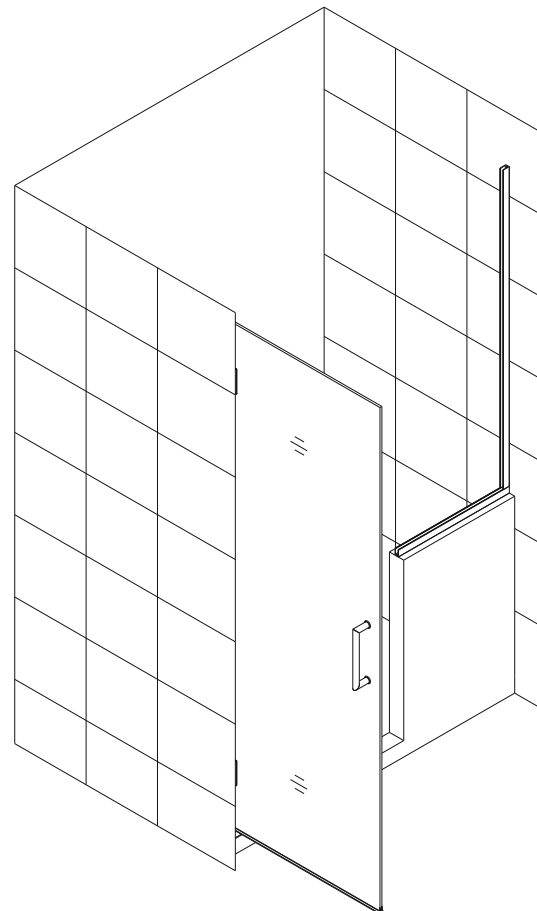


Fig. 13

10. Slide the **Stationary glass (11)** into the groove of both **U-Channels**.

Apply a bead of silicone on the open end of the **U-Channel**, and its connection. Ensure that the silicone applied to the open end is flat and smooth so that it will not interfere with the installation of the **L-shaped strip*(08)** in step #12.

NOTE:

If you have difficulty sliding the **Stationary glass** into the **U-Channels**, you can slightly tap on the **Stationary glass** with a rubber mallet and a piece of wood.

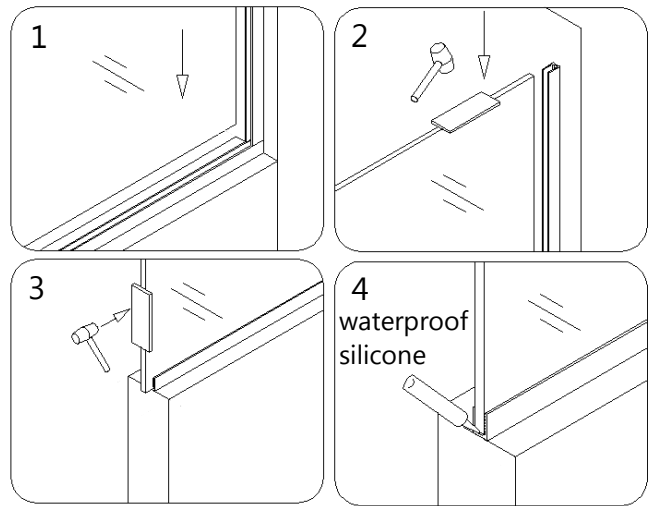


Fig. 14

See fig. 14 & 15 for details

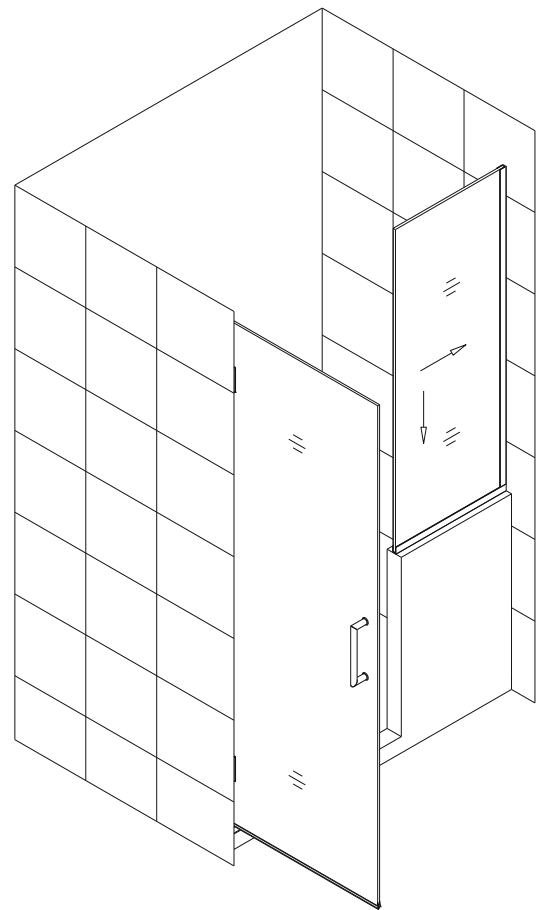


Fig. 15

11. Apply a good quality mildew resistant waterproof silicone along the connection of both **U-Channels** to the wall and ledge on the inside of shower.

See Fig. 16 for details.

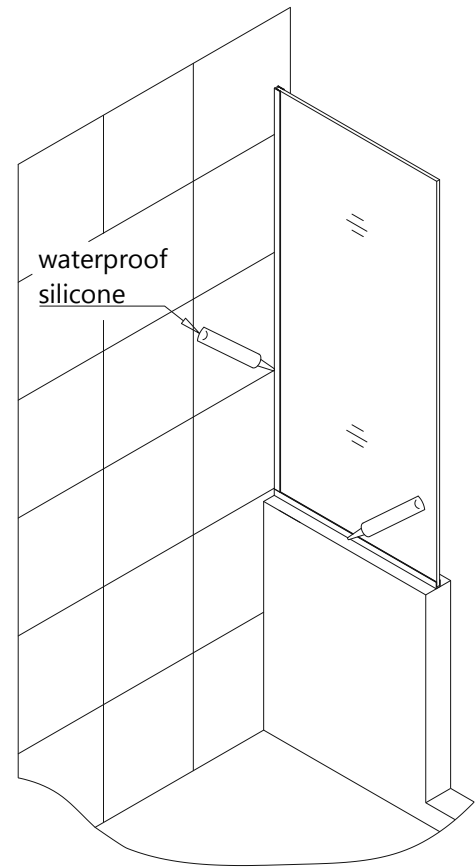


Fig. 16

ATTENTION:

Prior to the next step, please be sure the part of the wall and glass edge for installation of the L-shaped strip*(08) is clean, dry and free from soap, oil and any construction debris.

12. Align the **L-shaped strip*(08)** on the vertical edge of the **Stationary glass (11)** so that the door glass rests flush against it in the closed position. Ensure that the bottom of the **L-Shaped strip** makes contact with the threshold rather than aligning the top of the **strip** to the top of the **Stationary glass**. Note the position on the wall then gently remove the plastic tape from the adhesive side of the **L-shaped strip**. Firmly press it onto the vertical edge of the **Stationary glass** and to the surface of the half wall.

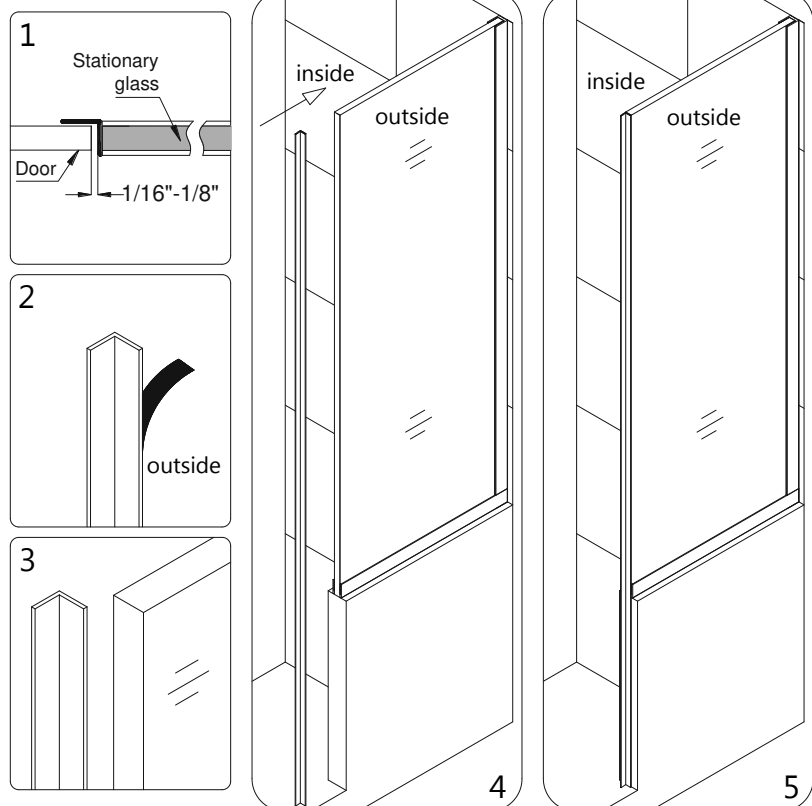


Fig. 17

See Fig. 17 for details.

Product Maintenance

BASES and BACKWALLS: To ensure long lasting life for your acrylic back walls: wipe them off after each use with a soft cloth. To clean the acrylic back walls use non-abrasive sprays or cream based cleaners. Avoid the use of aerosol spray cleaners. Never use abrasive cleansers, metal brushes or scrapers that could scratch or dull the surface.

GLASS: To ensure long lasting life for your glass shower products: wipe them off after each use with a soft cloth. Rinse and wipe off the glass using either a soft cloth or a squeegee to prevent soap buildup and water spots (Hard water can etch the surface of the glass over time if left to dry). To prevent scratching the surface: never use abrasive cleaners or cleaning products that contain scouring agents. Never use bristle brushes or abrasive sponges that may scratch the surface.

HARDWARE: To ensure a long lasting finish: wipe off the metal parts after each use with a soft cloth. Do not use abrasive cleaners or cleaning products containing ammonia, bleach or acid. If accidentally used, rinse the surface as soon as possible to prevent damage to the finish (peeling or corrosion). After cleaning the polished finishes, rinse thoroughly and wipe dry with soft cloth. Clean stainless steel surfaces at least once a week. When applying stainless steel cleaner or polish to stainless steel hardware, work with (not across) the grain. Never use an abrasive sponge or cloth, steel wool or wired brush as these may permanently scratch the surfaces.



TEL: [866-731-2244](tel:866-731-2244)

FAX: [866-857-3638](tel:866-857-3638)

DREAMLINE.COM

For more information on [DreamLine® Shower Doors](#) and [Enclosures](#) please visit DreamLine.com