

aquatica®

Function, Form & Fashion



Sensuality Mini™

Aquastone™ Bathtub

Installation & Care Manual

USA and CANADA

www.aquaticaplumbing.com

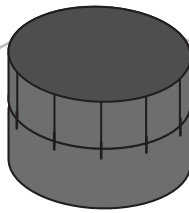
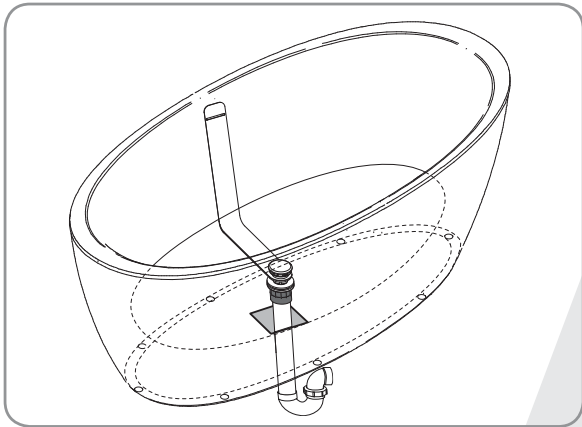
E: info@aquaticaplumbing.com

aquatica®

Function, Form & Fashion

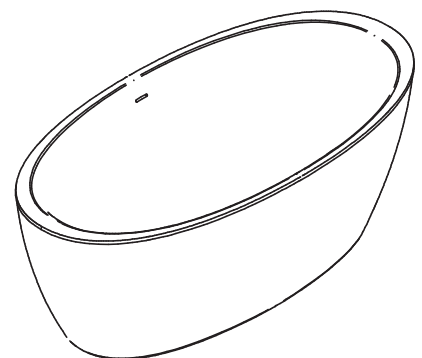
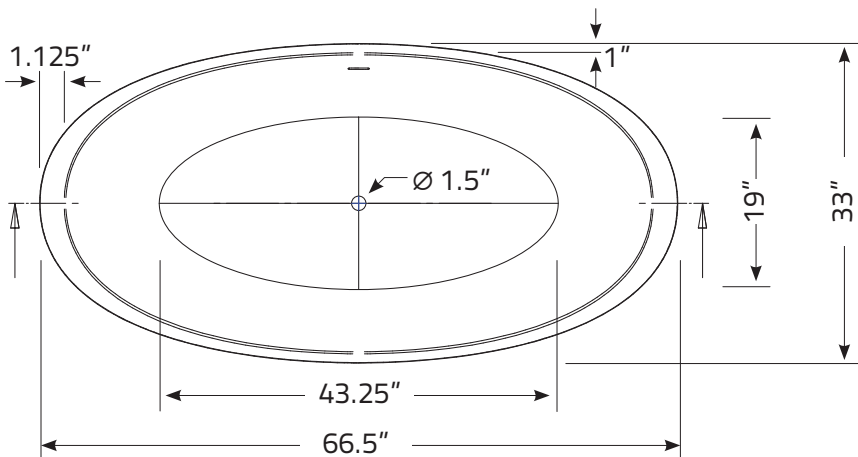
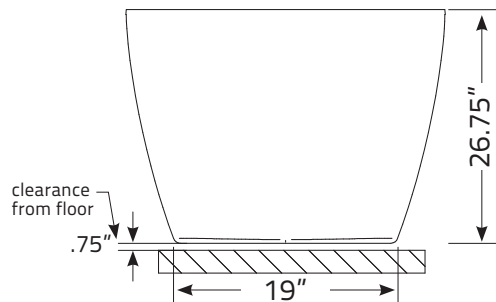
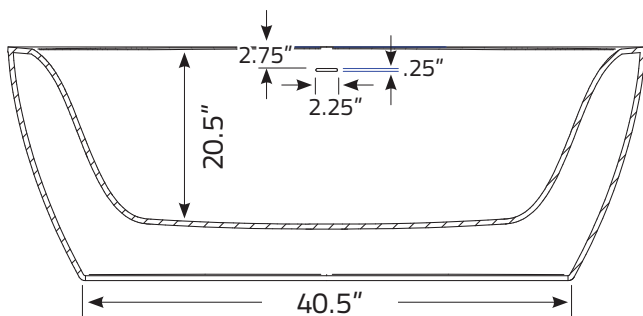
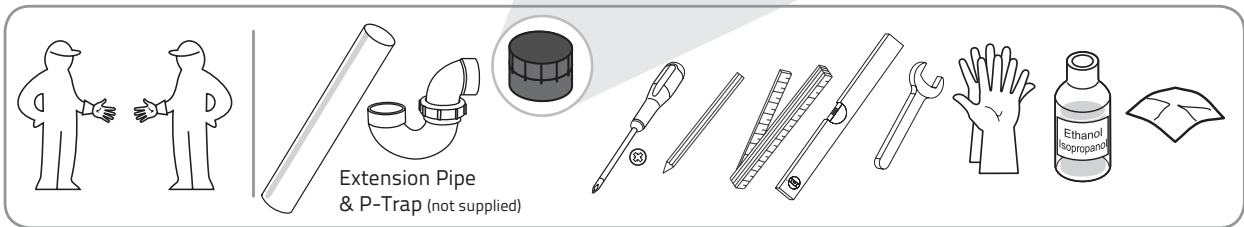
Sensuality Mini™

Aquastone™ Bathtub



Use Home Depot PART '1 1/2" ABS Female Adapter Hub x FIPT or equivalent from another supplier

The ABS female adapter features a hub x female NPT thread connection and provides a means for adapting a solvent weld connection to a threaded connection

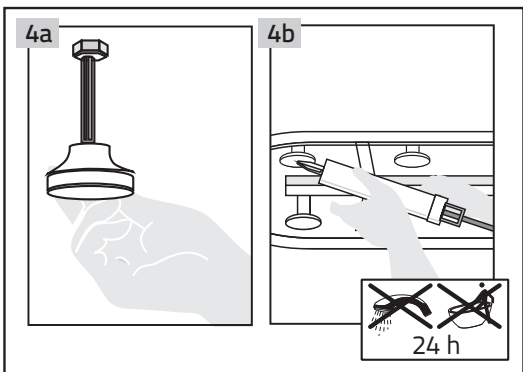
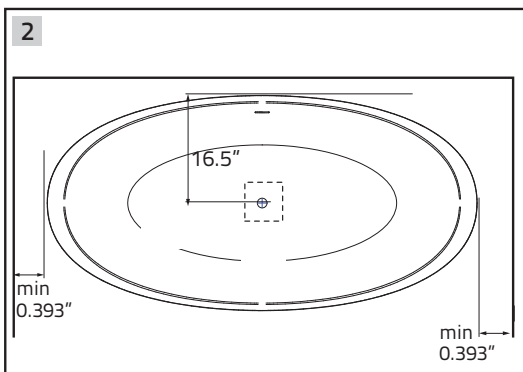
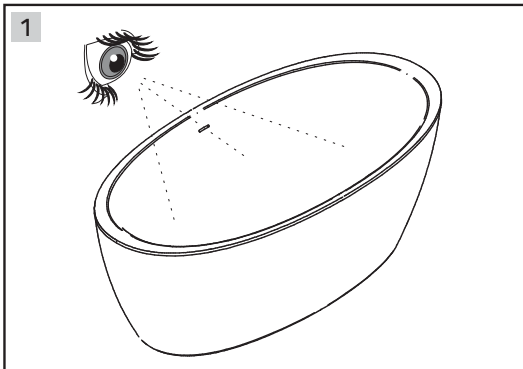


Sensuality Mini™

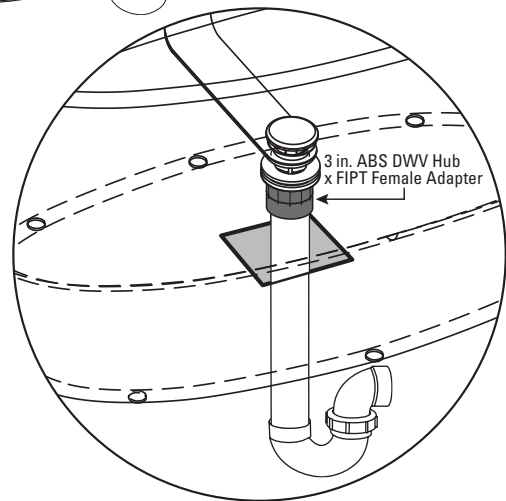
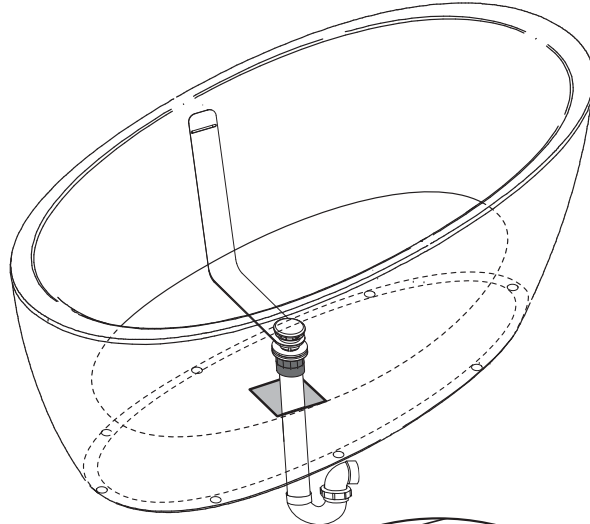
Aquastone™ Bathtub

aquatica®

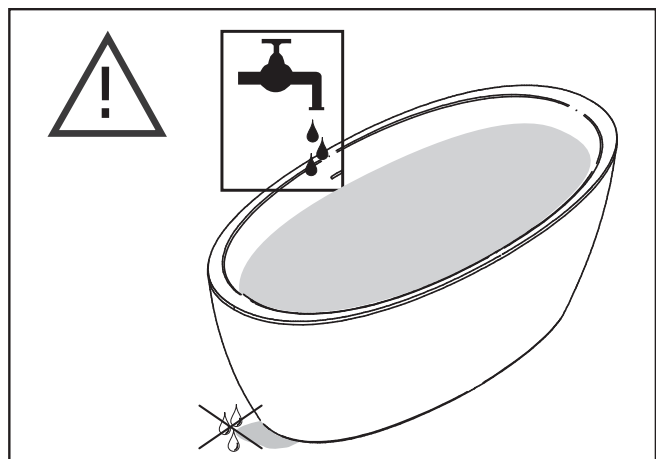
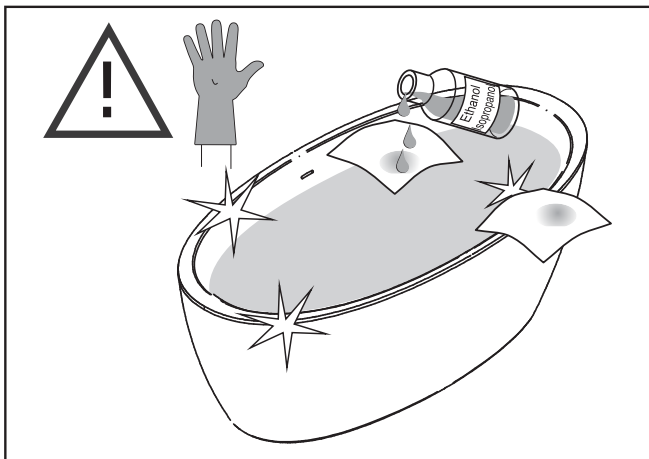
Function, Form & Fashion



3 USA & CANADA INSTALL



The ABS female adapter features a hub x female NPT thread connection and provides a means for adapting a solvent weld connection to a threaded connection

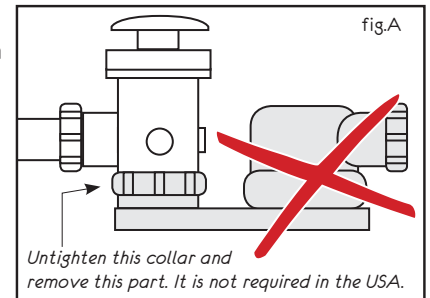


Sensuality Mini™ Aquastone™ Bathtub

TYPICAL FREESTANDING BATHTUB INSTALLATION PROCEDURE

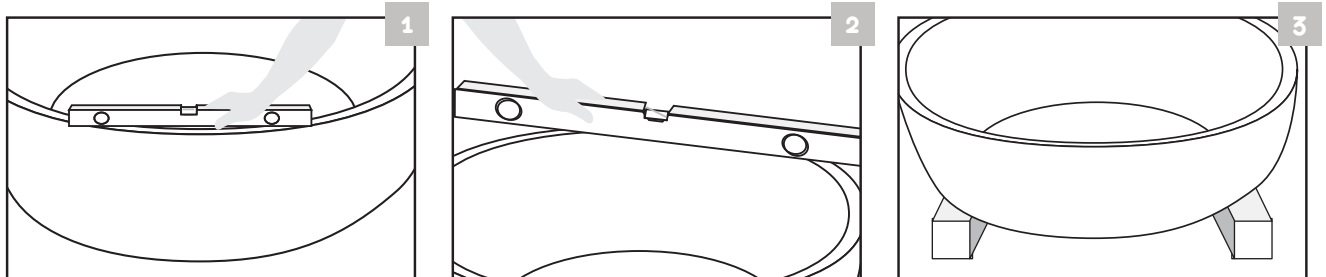
Before you start:

- Ensure that the floor is even.
- The water-overflow fitting is supplied with the product, however other accessories like the slip joint and adaptors are not included and must be purchased separately.
- Because of the technical features of the product, it should be used only with the supplied waste-overflow or specific 3rd party models that have been tested and approved by us.
- Place the bathtub by raising it up 4" with 4x4 pieces of lumber so you can have access from the bottom of the bathtub.
- The bath must rest on its feet, not the monobloc sides. The feet must be adjusted to compensate for any floor imperfections and leave minimal gap w. floor.
- **IMPORTANT!** If present with the bathtub, the European p-trap must be removed by untightening the marked collar. (fig.A)



INSTALLATION SEQUENCE

- The Sensuality Mini bathtub is equipped with factory pre-installed overflow system .
- The waste pipe/p-trap connection must be made directly to the waste/drain outlet located at the bottom of the tub.



- **Picture 1-2:** the bathtub is leveled via a water level at the intended local installation area.
- **Picture 3:** place the bathtub by raising it up 4" with 4x4 peices of lumber so you can have access from the bottom of the bathtub. **Important note:** during the installation, the bathtub should not be turned on its side to prevent its weight from deflecting its monobloc sides. This is why it is important to use supports to raise the bathtub above the floor. This will also provide you with easy access to the internal plumbing parts.

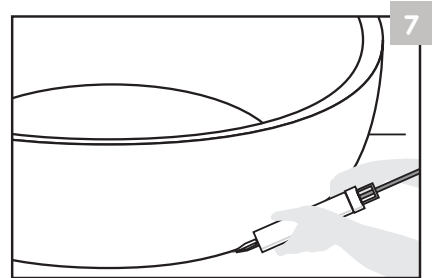
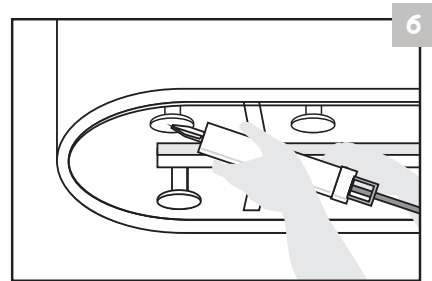
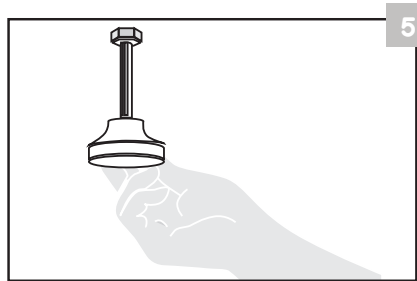
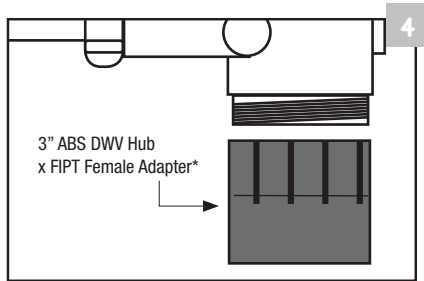


Sensuality Mini™ Aquastone™ Bathtub

aquatica®

Function, Form & Fashion

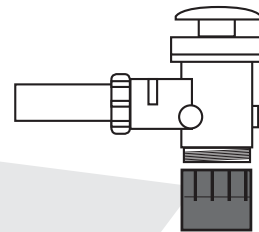
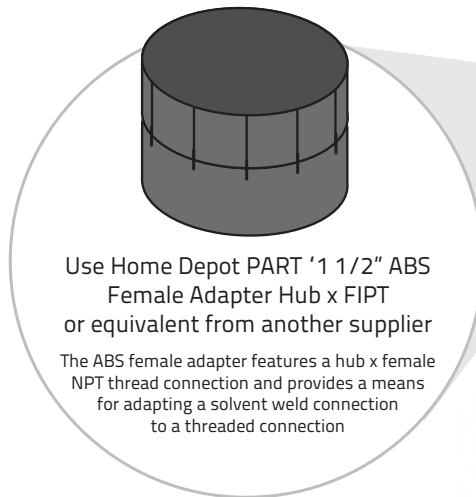
INSTALLATION SEQUENCE continued



- **Picture 4:** the water outlet pipe should be connected.
- **Picture 5:** foot leveling lock nuts are adjusted.
- **Picture 6:** silicone is applied to the feet of the bathtub that stands on the floor.
- **Picture 7:** when the installation is completed, the bathtub is taken down from the supports (ie 2 x 4x4's).
If necessary, installation is completed by applying silicone at several points between the bottom panel and floor

* The ABS female adapter features a hub x female NPT thread connection and provides a means for adapting a solvent weld connection to a threaded connection

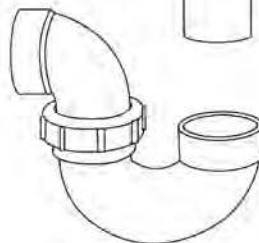
INSTALLATION PROCEDURE AT A GLANCE



- Drain (provided)
- 1½" Female Adapter



- 1½" ABS Extension Pipe* (cut to length)



- 1½" ABS Trap*
* Provided by plumber

Compatible adaptors for adapting a threaded male connection to a solvent weld connection:

- Mueller Industries: Part # 05913

Or

- Nibco: C5803 or c4803

<http://t.homedepot.com/p/NIBCO-3-in-PVC-DWV-Hub-x-FIPT-Female-Adapter-C4803HD3/100345631/>

<http://t.homedepot.com/p/NIBCO-4-in-PVC-DWV-Hub-x-FIPT-Female-Adapter-C4803HD4/100677997/>

The adaptor must have the appropriate thread type or it will keep slipping and you will not be able to get a tight connection!

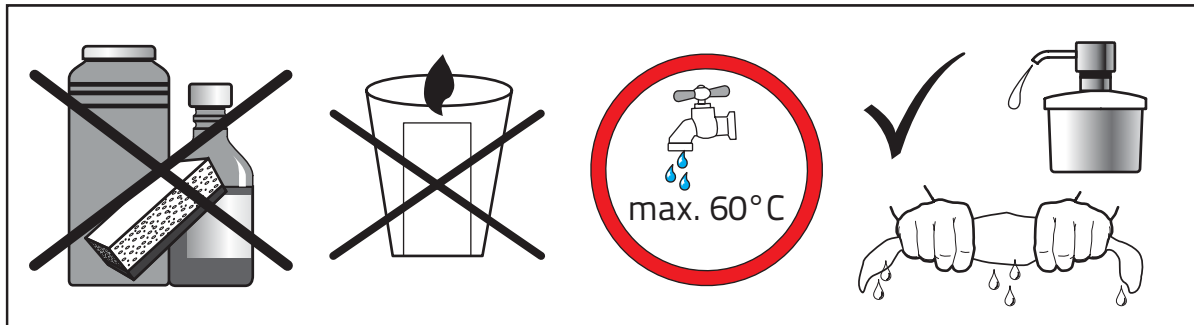
Sensuality Mini™ - Maintenance Instructions

Sensuality Mini™ - Инструкция по уходу

Sensuality Mini™ - Installation & Entretien

Sensuality Mini™ - Manuale per il corretto mantenimento

Sensuality Mini™ - Instrucciones para la correcta manutención



Maintenance Instructions

The smooth surface of your Aquatica® Aquastone™ Bathtub accumulates hardly any dirt, and can be maintained by simply cleaning with a soft cloth, using a mild detergent in water, then wiping over with a dry cloth.

Avoid using abrasive cleansers or solvents, which will cause damage to the surface. Damage caused by use of these products, or any other inappropriate treatment, is not covered by our guarantee.



Инструкция по уходу

Поверхность легко чистится. За счет гладкости грязь к ней не прилипает. Для регулярного ухода используйте мягкую ткань, мыльный раствор и воду. После чистки вытирайте поверхность сухой тканью, которая хорошо впитывает влагу.

Не используйте губки с абразивной поверхностью и агрессивные растворители, которые могут повредить ванну. Повреждения, возникшие вследствие неправильного ухода, не покрываются гарантией.



Installation & Entretien

Cette surface est facile à entretenir et à nettoyer. Sa surface particulièrement lisse, ne retiens que très peu la saleté. Un entretien quotidien nécessite simplement l'utilisation d'un chiffon doux, de l'eau et un peu de savon. Essuyer avec un chiffon sec. L'utilisation de détergents ou de solvants endommageraient cette surface.

Les dommages resultants d'un traitement non conforme effectué par l'utilisateur sont exclus de la garantie que nous offrons.



Manuale per il corretto mantenimento

La superficie necessita di pulizia ed accorgimenti per il corretto mantenimento. Una superficie liscia non accumula lo sporco. Usare una spugnetta con del detergente non aggressivo per una pulizia regolare. Asciugare con un panno. Evitare l'uso di solventi o materiali abrasivi: potrebbero rovinare la superficie.

Un danno causato da trattamento inappropriato non verterà coperto dalla garanzia.



Instrucciones para la correcta manutención

La superficie debe de ser limpiada y adecuadamente mantenida. Una superficie lisa no acumula suciedad.

Utilice una esponja con un detergente suave para la limpieza diaria. Seque con un paño.

No utilice disolventes o materiales abrasivos ya que podrían dañar la superficie.

Los daños causados por el tratamiento inadecuado no serán cubiertos por la garantía.

