

Pro Series Collection

32 Inch 50/50 Offset Double Bowl Undermount Small Radius
Stainless Steel Kitchen Sink



Nantucket

S I N K S

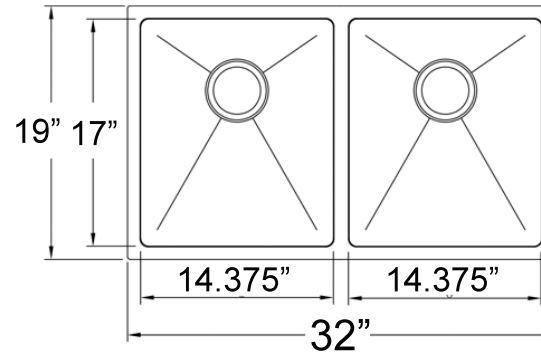
model:

SR3219-DE-16

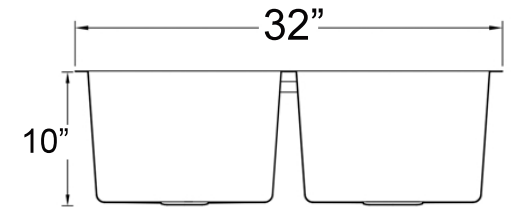
www.NantucketSinksUSA.com
info@nantucketsinksusa.com



Top View



Front View



OVERALL DIMENSIONS	INTERIOR BOWLS	INTERIOR BOWL DEPTH	BOTTOM GRID(S)	DRAIN DIMENSIONS
32" x 19" x 10"	14.375" x 17" EACH	10"	INCLUDED	3.5" Opening

FEATURES:

- Premium 304, 16 gauge stainless steel kitchen sink
- 2 drains, 2 grids included
- Brushed satin finish
- Limited lifetime manufacturer's warranty
- Insulated to reduce condensation
- Rubber padding is applied for noise reduction
- Fits 33" cabinet base minimum
- 3.5" Standard drain opening
- Undermount installation

Project Name: _____

Architect / Contractor: _____

Job Notes: _____
