

# INSTALLATION GUIDE (TOPMOUNT PRO)

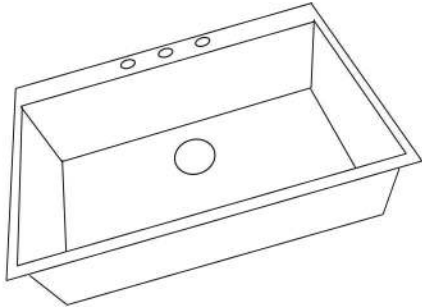
Required  
Tools



## ATTENTION

Please read the warning and homeowner section before unboxing. It is always recommended to use a professional when installing a new topmount sink.

**Please observe all state and local building and plumbing codes.**



## WARNING

Before installation, remove your sink from its packaging. **Please use caution. We recommend using gloves to prevent injury. The edge of the sink rim can be sharp and could cause minor cuts.** Please inspect your product for any damage that may have occurred during shipping. If the product was damaged in the shipping process or your product needs to be returned for another reason, it must be in the original packaging. If the product is not returned with the original packaging you may not be eligible for a refund of the purchase price. Return fees may apply.

Please contact your dealer for more information.

## HOMEOWNERS

Please read before installation.

## NEW INSTALLATION

When preparing for installation, it is recommended that you consult with a professional

## REPLACEMENT

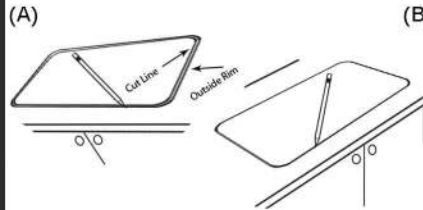
If replacing a pre-existing hole, make sure that the new model you have chosen fits the existing hole.

## Step: 1

### COUNTERTOP PREP

When preparing the template take care not to scratch or damage your countertop.

**TEMPLATE:** This template is for the bowl only. Place template in desired location to allow for proper clearance. Using a pencil trace the template on to the countertop (A). The faucet holes should be traced and drilled after the sink cutout has been made. See Step 3



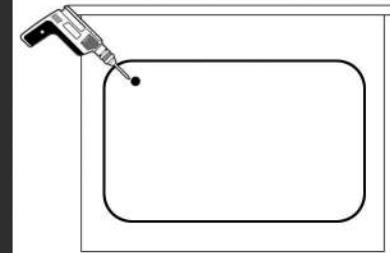
## Step: 2

### CUTTING THE HOLE

After marking the template, cut a pilot hole on the inside of the template mark cut line. Use the appropriate cutting tool for the solid surface material you have selected. Cut on the outside edge of the mark.

Support the cutout until the cut is complete or it could cause damage to the countertop.

**(Professional fabrication is recommended)**

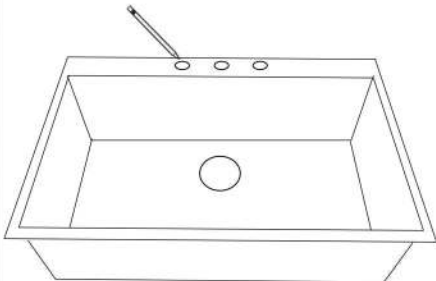


## Step: 3

### CUTTING THE HOLE

After marking the sink cutout, place the sink in the hole and check for fit. Make adjustments where needed. Trace the faucet holes and remove the sink. Use the appropriate drill and bit specified for the products you are using

**(Professional fabrication is recommended)**



## Step: 4

### INSTALLATION

After the cut out has been made, clean the surface of the countertop. Apply a continuous bead of silicone sealant / adhesive specifically designed for plumbing applications around the rim of the cut out.

**BE ADVISED:**

**Your installer might use a different installation method.**

### HARDWARE INSTRUCTIONS

1. Before sink is installed into the countertop, place all of male clips into the female clip fasteners, as shown in the diagrams. Install sink into countertop
2. Tighten screw to underside of countertop until rim lays flat. Be careful to remove any excess sealant.

