

# Brightwork Collection

Dualmount Hammered Bar Sink  
Stainless Steel Satin - Matte Finish

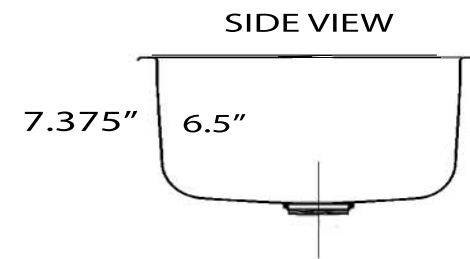
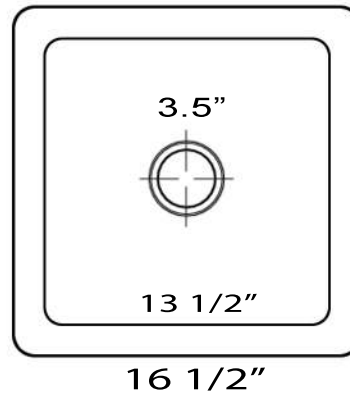
model:

**SQRS-7MF**



**Nantucket**  
S I N K S

www.NantucketSinksUSA.com  
info@nantucketsinksusa.com



Overall Dimensions	Interior Bowl	Exterior Height	Bowl Depth	Drain Size
16.5" x 16.5"	13.5" x 13.5"	7.375"	6.5"	3.5"

## FEATURES

- 18 Gauge Stainless Steel
- Nominal dimensions - may vary by .25"
- Limited Lifetime Manufacturers Warranty
- Like all stainless may dull (patina)- polish to bring back luster
- Hand Hammered - each piece is unique
- Drain not included (NS35LCC & NS35CD sold separately)

Project Name: \_\_\_\_\_

Architect / Contractor: \_\_\_\_\_

Job Notes: \_\_\_\_\_

\_\_\_\_\_

\_\_\_\_\_