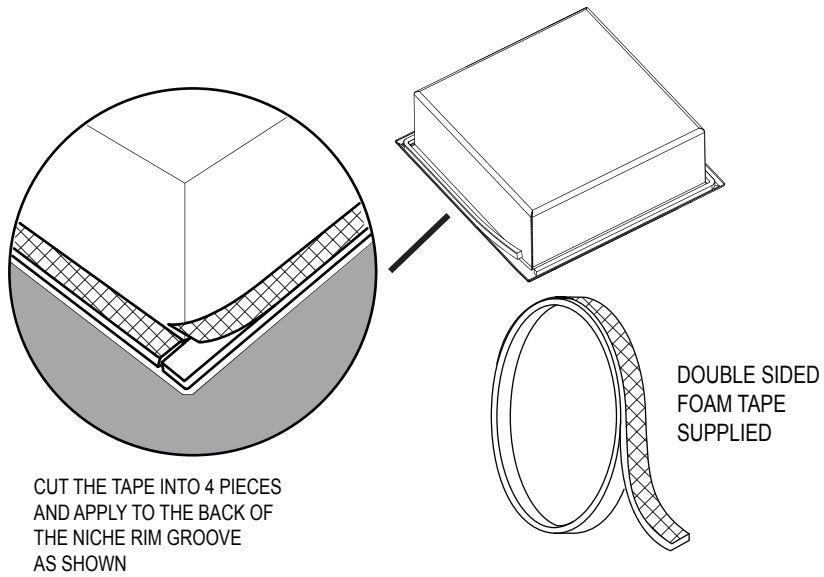
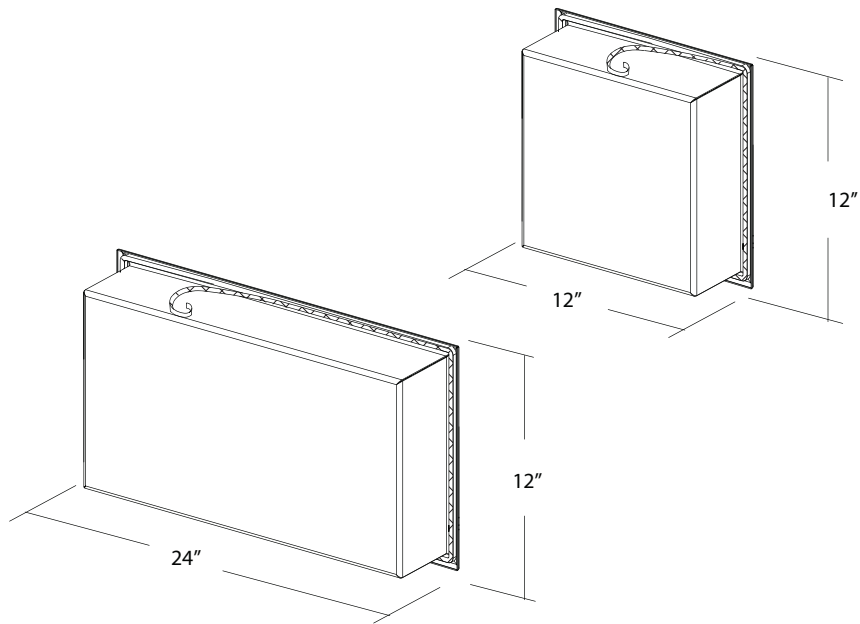


### STEP 1

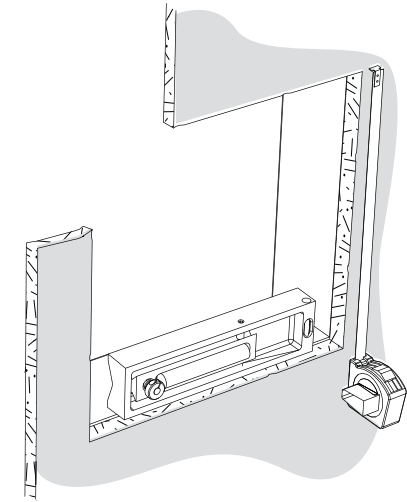
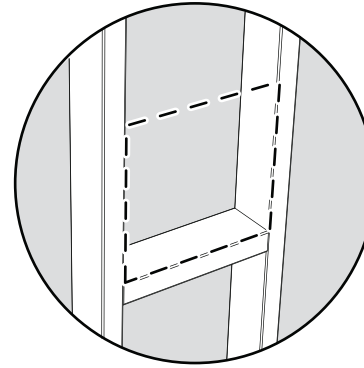


### STEP 2



### STEP 3

\* Boxing the hole with stud recommended for maximum support as shown below



\* MUST refer to the specification when cutting the hole.

### STEP 4

