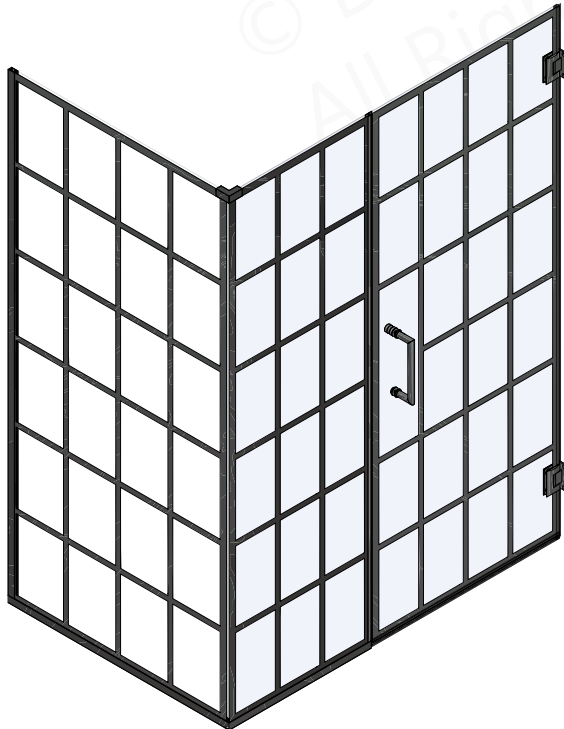


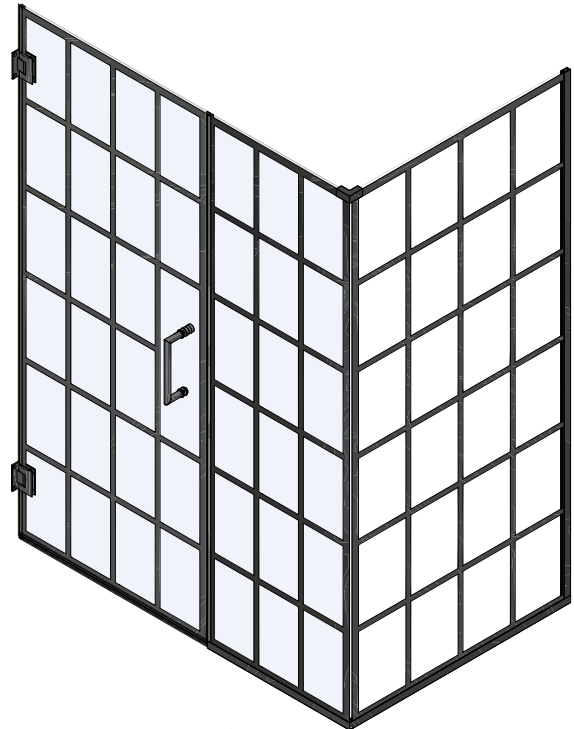
# UNIDOOR TOULON ENCLOSURE

## SHOWER ENCLOSURE INSTALLATION INSTRUCTIONS

PLEASE REVIEW THIS ENTIRE MANUAL PRIOR TO INSTALLATION



Left-hand return panel



Right-hand return panel

**MODEL #s**

SHEN-2434340-89  
SHEN-2434400-89  
SHEN-2434460-89  
SHEN-2434520-89  
SHEN-2434580-89

finish -89=French Black

**IMPORTANT!**

DreamLine<sup>®</sup> reserves the right to alter, modify or redesign products at any time without prior notice for the purpose of product improvement and customer experience. Please refer to the model's web page on **DreamLine.com** for the latest technical drawings, installation manuals, warranty information or additional product details.

**Do Not Return Product to the Store. Contact DreamLine<sup>®</sup> with any questions**



**Questions?**

Please Call **DreamLine** Customer Support: **1-866-731-2244**  
Hours of Operation M-F 8AM - 6PM EST

**Support@DreamLine.com**





**This model is treated with DreamLine's exclusive ClearMax™ Glass technology. This is a specially formulated coating that prevents the build up of soap and water spots.**

**Install the surface with the ClearMax™ label towards the inside of the shower. Please note that depending on the model, the glass may be coated on either one or both surfaces.**

**For best results, squeegee the glass after each use and dry with a soft cloth.**

Record the following purchase information for your records or in the event you need to contact DreamLine®:

Purchase Order Number \_\_\_\_\_

Store/Vendor Purchased From \_\_\_\_\_

Installation Date \_\_\_\_\_

OD Number (optional) \_\_\_\_\_  
\*found on the shipping box or label if available.

Installed By: \_\_\_\_\_

SKU Number \_\_\_\_\_

# Table of Contents

Section Title	Page #
Required Support Information	2
Important Information about your new shower door	3
Enclosure Installation Dimensions	4-8
Model-specific Preparation Steps	9
Tools	10
Detailed Diagram of Unidoor Toulon Enclosure Door Components	11
Parts List	12-13
Installation Overview	14
Installation Steps	15-35
Setting the Adjustable Hinges	37
Product Maintenance & Maintenance Checklist	38
Troubleshooting	39
Factory Parts Information (per model size)	40-44



**TIP** - for ease of installation.



**CORRECT** - recommended.



**NOTE** - take note of special feature; additional information.

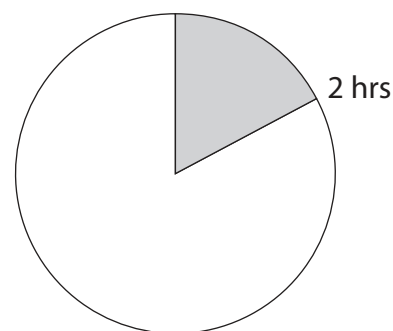


**INCORRECT** - not recommended.



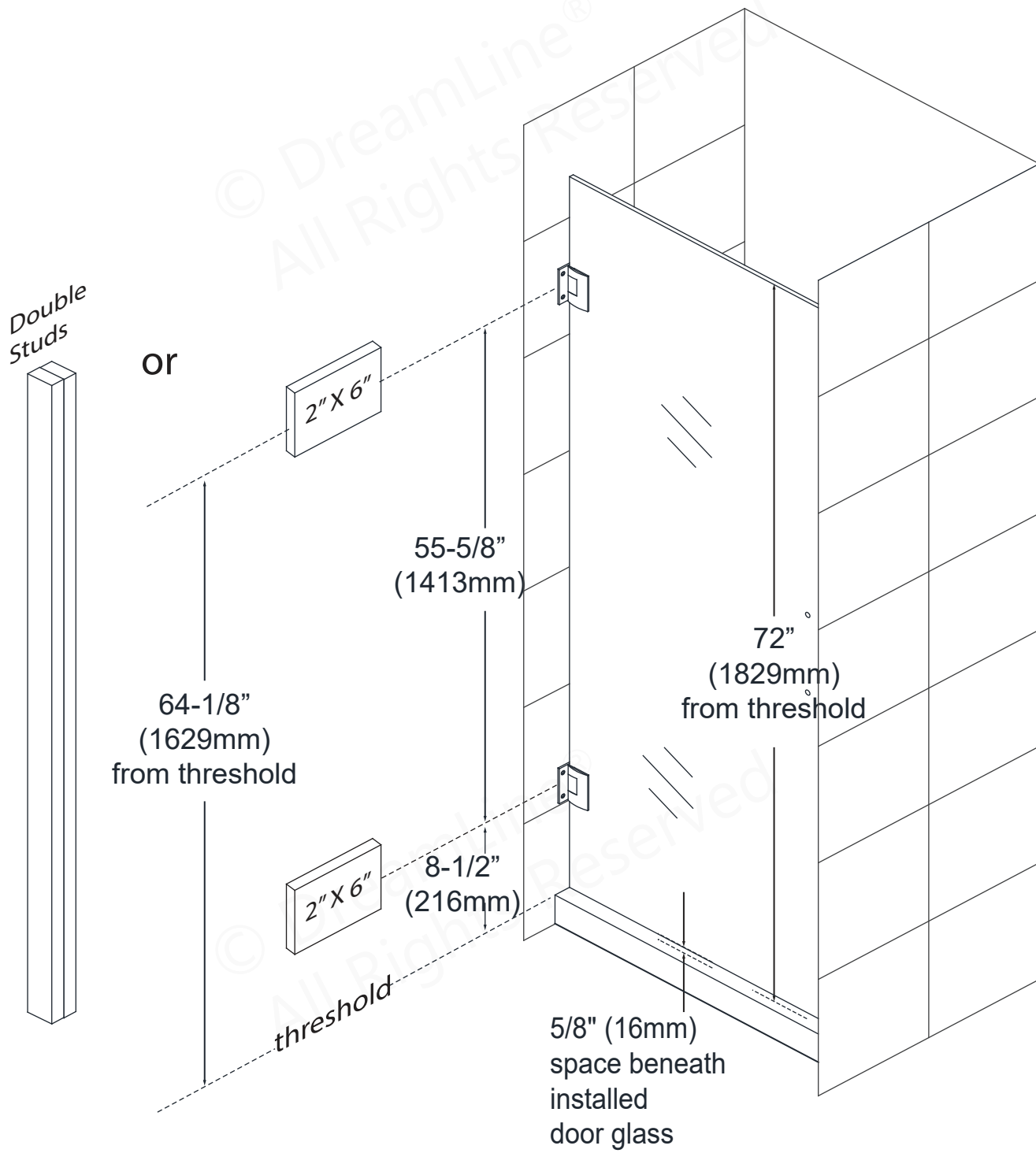
**REQUIRED** - requires special attention; signifies a warning.

Average Installation Time



## Required Support

Wood reinforcement behind the wall is required for the installation of this door. Be sure there are studs or wood blocking in the wall where the door hinges will be installed. If none exists, install double studs OR 2" x 6" wood blocking between the studs where the hinges will attach to the wall. Do not use wall anchors or toggle bolts to install the door hinges.





**IMPORTANT**

- DreamLine® reserves the right to alter, modify or redesign products any time without prior notice for product improvement and customer experience. Please refer to the model's web page on [DreamLine.com](http://DreamLine.com) for the latest technical drawings, installation manuals, warranty information or additional product details.
- This product should be installed by someone familiar with the construction requirements for this type of project and the care necessary for the safe installation and operation of the product.
- The safety of any installation is the responsibility of the installer.
- Professional installation recommended. *(All Models)*
- Professional installation required. *(Enigma Series)*
- To prevent damage or serious injury, Do Not lean against the installed panel/door/glass.
- To prevent damage or serious injury: Do Not attempt to lift or move a heavy lite of glass alone. Use an assistant and/or a professional grade glass suction cup.
- The installation of some models may require drilling down into the threshold. Contact the manufacturer of the base, tub, or threshold material with any questions regarding the drilling of holes into their product.
- All drawings in this installation manual are for illustrative purposes only and are not drawn to scale.

**TEMPERED GLASS WARNING**

- Your Shower Door Glass Could Shatter Without Warning if Improperly Installed or Mishandled
- Do Not install or operate a shower door if the glass has chipped corners, slivered edges or is otherwise damaged and/or has been dropped or banged into a hard surface such as tile, marble or glass.
- **The main causes of tempered glass breakage are:**
  - Improper handling, storage or installation
  - Misuse/abuse
  - Lack of maintenance
  - Failure to replace damaged glass
  - **Improper handling during storage, unpacking and installation:**
  - Corners and edges are the most susceptible area to damage on a lite of tempered glass and should be protected and handled with care during storage, unpacking, installation and operation. A concentrated point of pressure or impact with a surface harder than itself may cause the tempered glass to shatter. The tempered glass may release immediately, within several hours or even days later.
  - **Incorrect installation of door hardware, rollers, hinges, channels, stopper or glass:**
  - Improper installation may include: loose hardware and/or lack of proper gaskets between the hardware and glass. Additionally, improper alignment of guide rails, wall profiles or other hardware during installation or operation may place stress on the glass edges and cause it to break.
  - This product must be installed by a professional and experienced installer familiar with the safe handling of tempered glass.
  - **Improper use of this product:**
    - Aggressively opening or closing the door may cause trauma to the glass, which can lead to breakage. This may occur immediately or hours or even days later.
    - **The shower door hardware and glass should be inspected periodically:**
      - Instruct the homeowner how to perform a periodic inspection of the shower hardware and glass - some minor adjustments may be necessary based upon the use (or misuse) of the shower door. Ensure that the hardware remains tight and that the door alignment and operation are correct. Any adjustments should be made upon discovery to prevent damage to the product.
      - Additional considerations should be given to the installation of frameless tempered glass products in households with young children or an elderly person due to an increased chance of improper handling. In such cases, alternatives such as shower curtains or grab bars should be considered.

**GENERAL PREPARATION**

- After opening all boxes and packages, read this introduction carefully. Check that all the items are included in the package by marking off the components on the **"Detailed Diagram of Product Components"** page. Examine all boxes and packages for shipping damage. If the unit has been damaged, has a finishing defect, or is missing parts; please contact our Customer Support department within 3 business days of the delivery date. **Please note that DreamLine® will not replace any damaged products or missing parts free of charge after 3 business days or if the product has been installed.** Please contact DreamLine® if you have any questions.
- **Please note that you should refer to your local building codes with questions on installation compliance standards. Building and plumbing codes may vary by location, and DreamLine® is not responsible for code compliance standards for your project and will not accept any returns.**
- If this unit is going to be installed in a new construction, install all the required plumbing and drainage before installing the shower. **Use a competent and licensed (if required by local code) plumber for all plumbing installation.**
- Make sure that prior to beginning the installation, the surfaces are leveled and solid and will be able to support the total weight of the unit. Also make sure the walls are at right angles. Irregular installation surface level, radius corners or improper angle of side walls will result in serious problems for your installation. Please note that some adjustments and drilling will be necessary during the installation process.
- Protect all primary surfaces of the product during installation. Never set your glass down directly onto a tile floor. Leave corner protectors in place until it is necessary to remove them. Always use a piece of wood or cardboard to protect the bottom edge and corners of the glass prior to and during installation.
- This unit must be installed upon a finished threshold and against finished walls.
- *DreamLine® shower doors are not designed to be installed into a fiberglass surround due to the radius corners and lack of a solid surface to mount the hardware.*

**WARNING: TO AVOID THE RISK OF DAMAGE OR INJURY:**

- **Follow all recommendations and requirements as shown in the installation instructions.**
- Perform a thorough inspection of the glass and all parts for any damage prior to installation. Any damage to tempered glass can cause breakage. **Do Not install damaged glass!**
- Do Not install or operate a shower or tub door if the glass has chipped corners, slivered edges or is otherwise damaged. Do Not install or operate a shower or tub door that has been dropped or banged into a hard surface such as tile, marble or glass.
- **CAUTION:** Contact with any hard surface can damage tempered glass and cause it to shatter.
- This product uses tempered glass. Glass cannot be cut after it has been tempered. **Do Not attempt to cut tempered glass.**
- DreamLine® Glass Shower doors, Tub doors, Inline panels, and Return panels can shatter due to improper handling or lack of maintenance. Conduct periodic inspections of glass and all parts for possible damage, missing or loose parts.
- Always wear proper safety equipment such as: safety goggles, work gloves and appropriate footwear during the installation process.
- **WARNING. Risk of leakage and/or damage.** Follow all instructions regarding the application of silicone sealant or caulk. Allow 24 hours for the sealant to cure before the initial use of the shower or tub product. Follow the silicone manufacturer's recommendations regarding the use of their product.
- **Thoroughly read these instructions before installing or using this product.**
- **Leave this manual for the end-user of the product.**



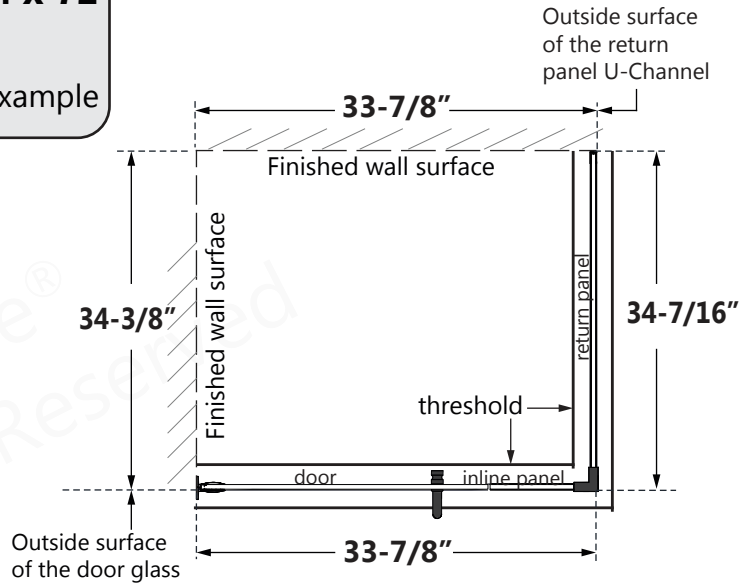
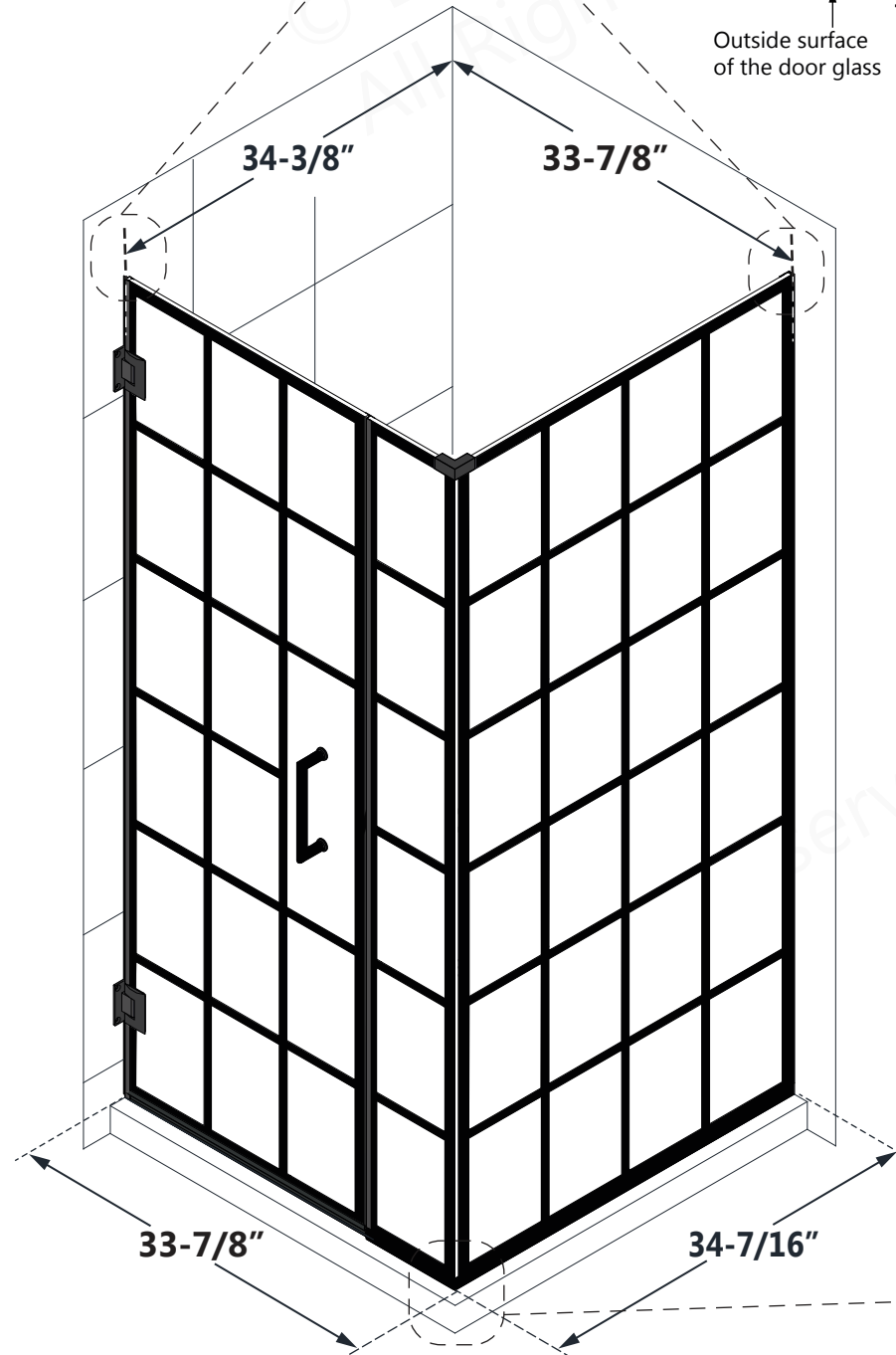
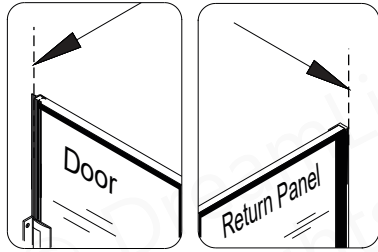
This product should be installed by someone familiar with the construction requirements for this type of product and the care necessary for the safe installation and operation of the product.

# Enclosure Installation Dimensions

## UNIDOOR TOULON ENCLOSURE 34 x 34 x 72

SHEN-2434340-89

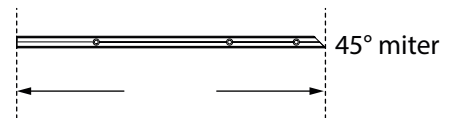
Right-side return panel installation shown as an example



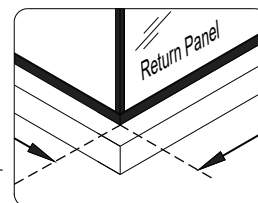
### Bottom U-Channel cut sizes

**Return Panel Bottom U-Channel = Glass Width + 5/8" = 34-7/16"** tip to tip w/one 45-degree miter

Miter cuts shown for right-hand return panel installation



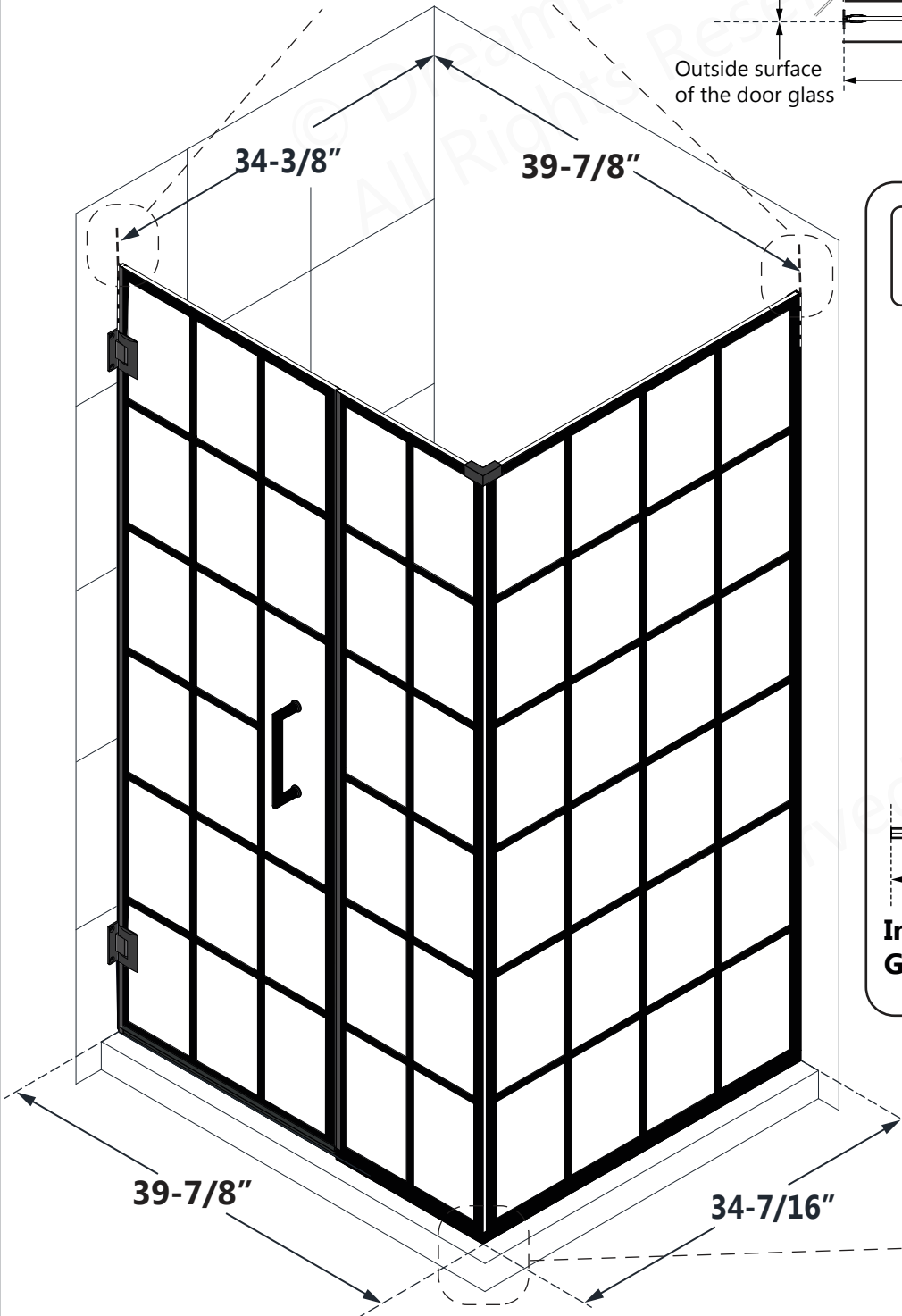
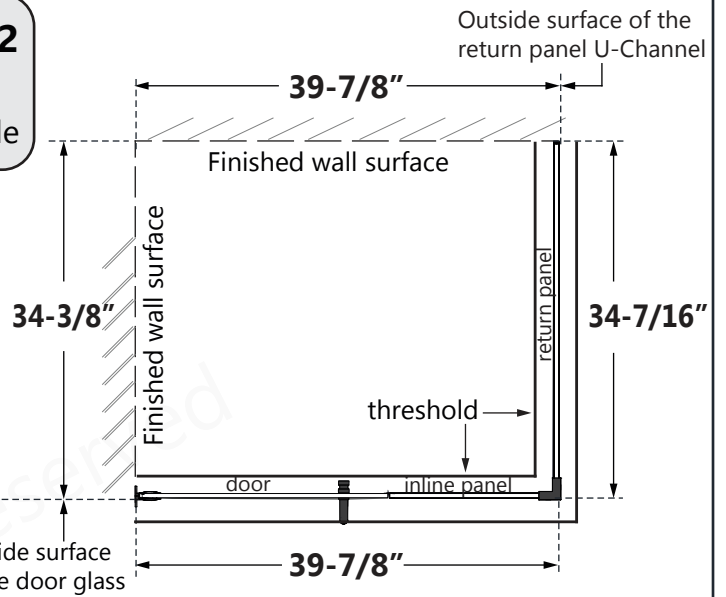
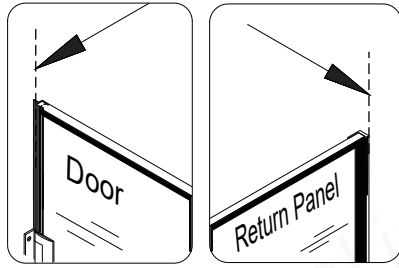
**Inline Panel U-Channel = Glass Width + 1/16" = 9"**



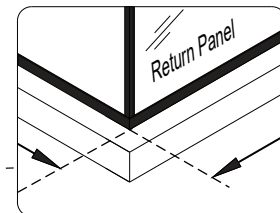
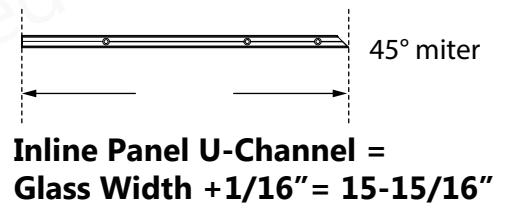
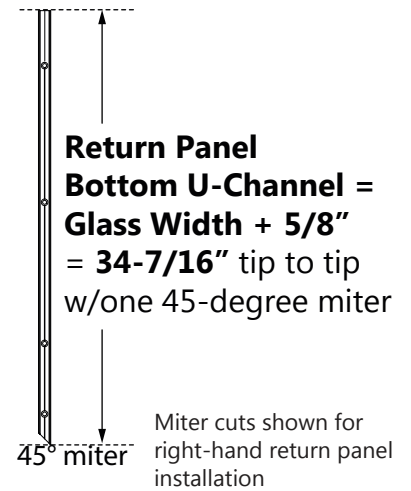
# Enclosure Installation Dimensions

## UNIDOOR TOULON ENCLOSURE 40 x 34 x 72 SHEN-2434400-89

Right-side return panel installation shown as an example



### Bottom U-Channel cut sizes

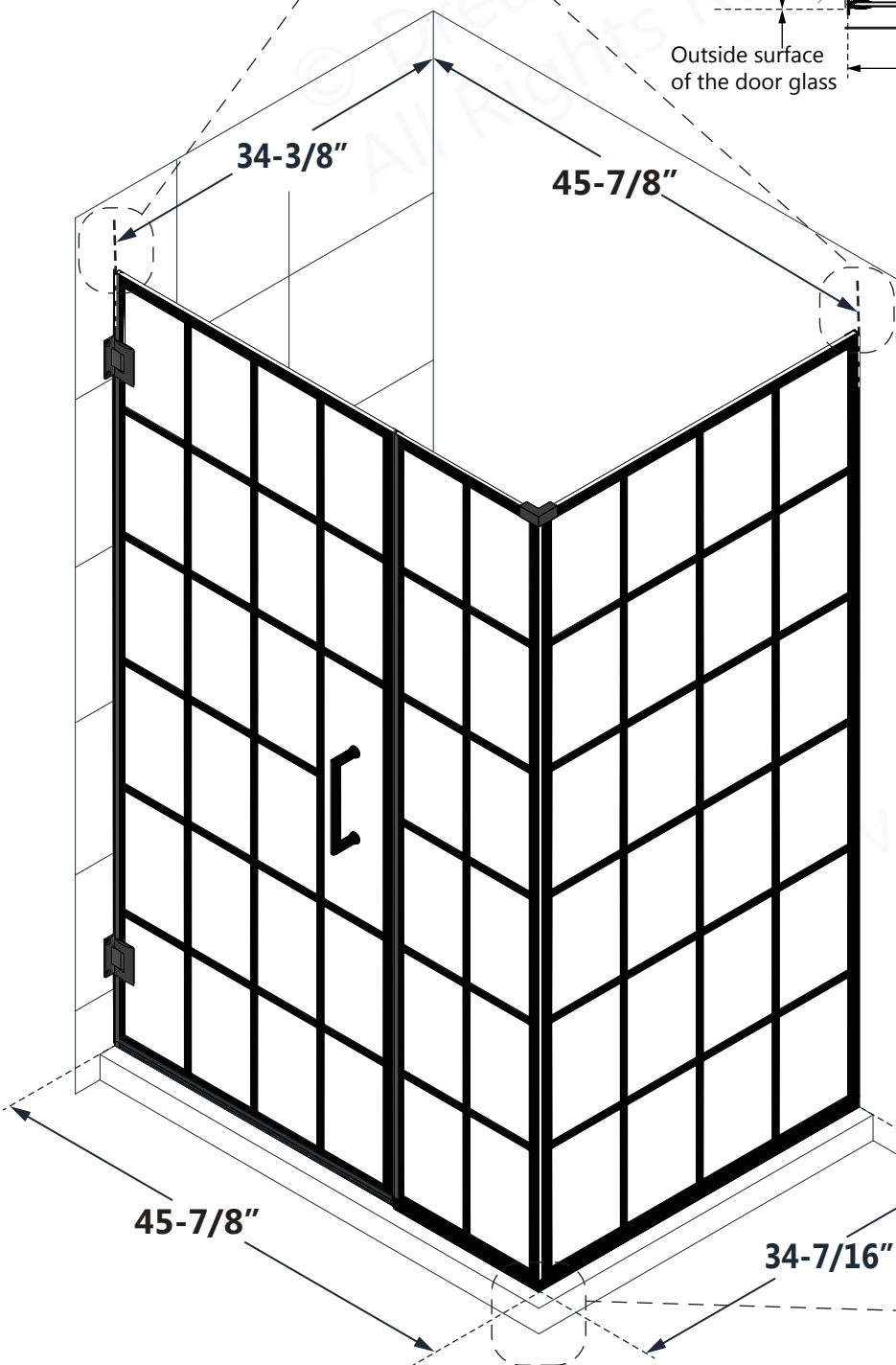
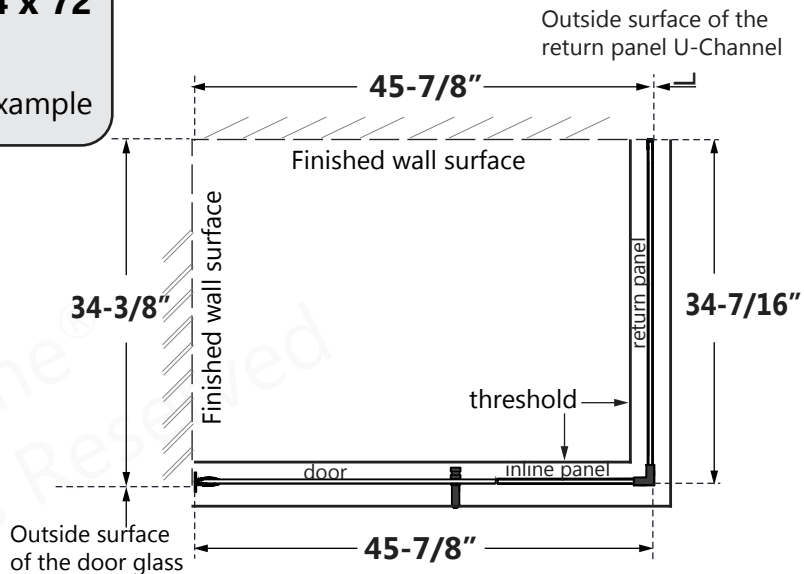
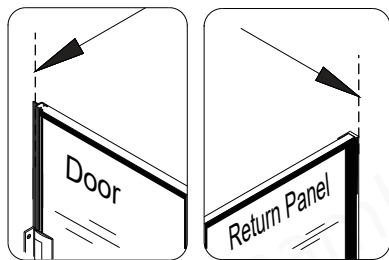


# Enclosure Installation Dimensions

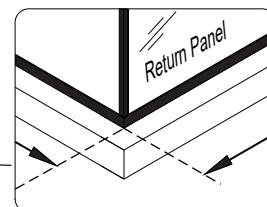
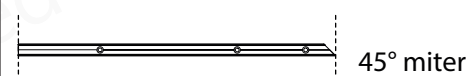
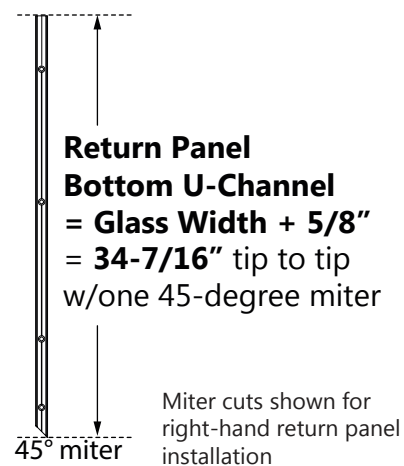
## UNIDOOR TOULON ENCLOSURE 46 x 34 x 72

**SHEN-2434460-89**

Right-side return panel installation shown as an example



### Bottom U-Channel cut sizes



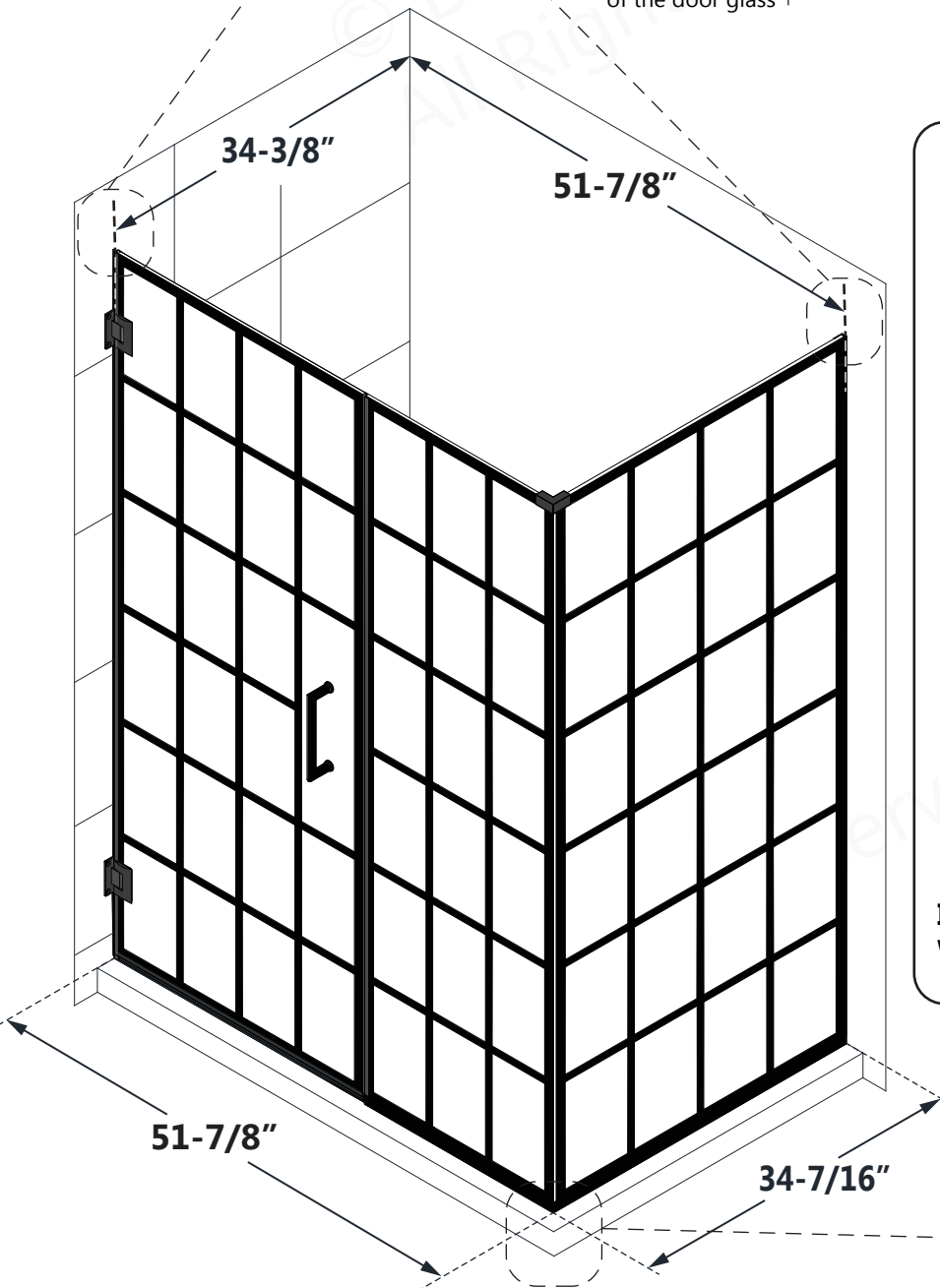
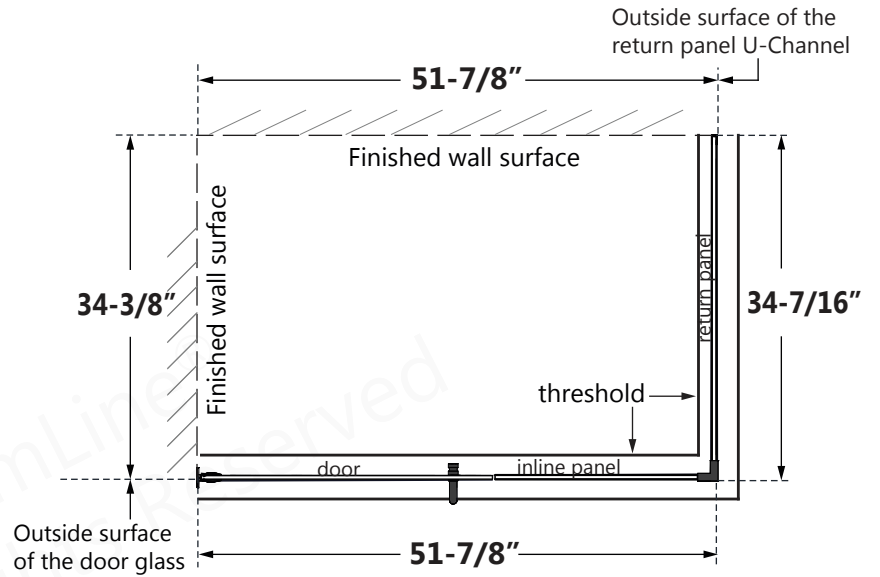
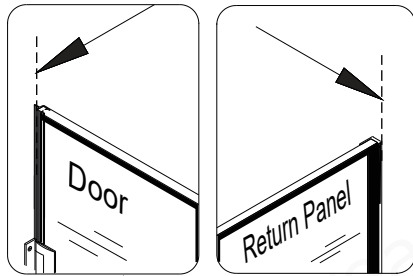
# Enclosure Installation Dimensions

## UNIDOOR TOULON ENCLOSURE

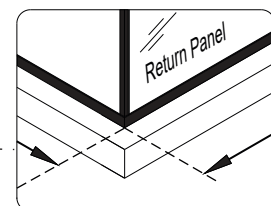
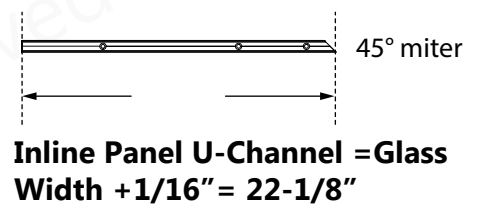
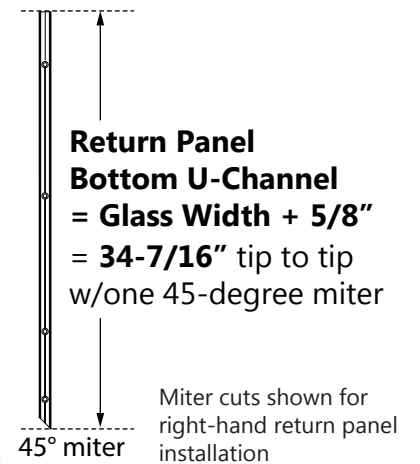
52 x 34 x 72

SHEN-2434520-89

Right-side return panel installation shown as an example



### Bottom U-Channel cut sizes



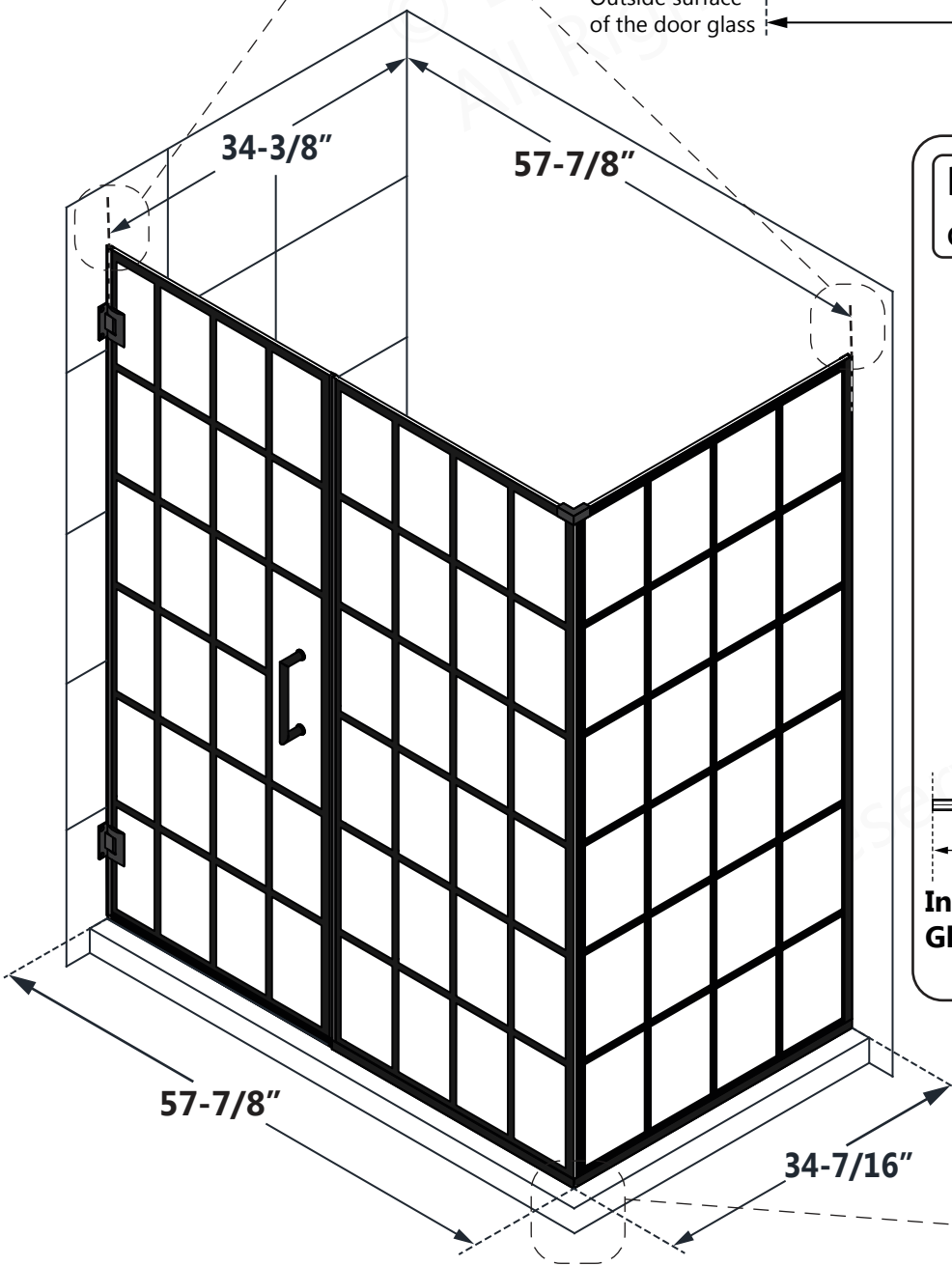
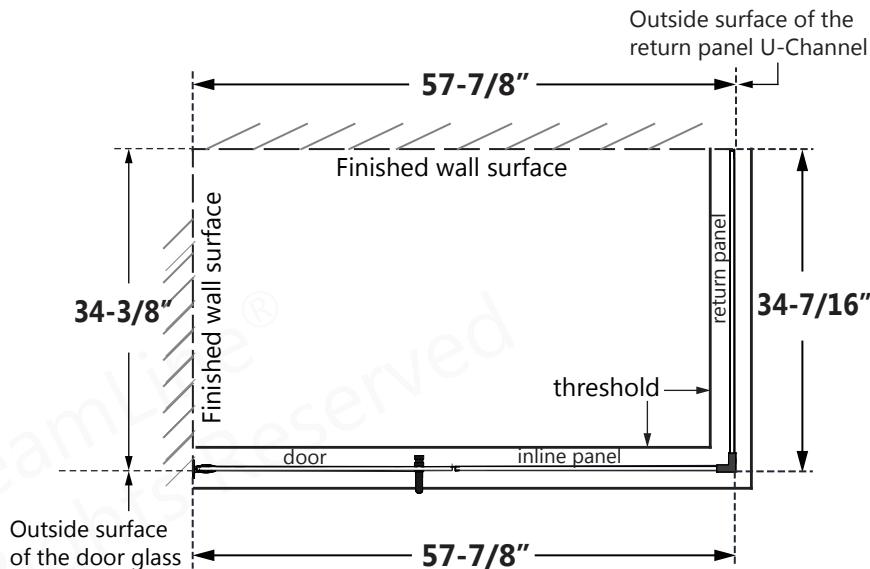
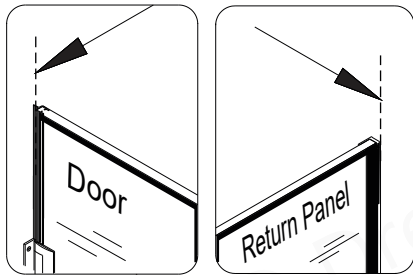
# Enclosure Installation Dimensions

## UNIDOOR TOULON ENCLOSURE

58 x 34 x 72

SHEN-2434580-89

Right-side return panel installation shown as an example

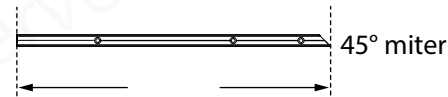


### Bottom U-Channel cut sizes

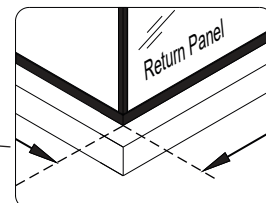


**Return panel Bottom U-Channel = Glass Width + 5/8" = 34-7/16"** tip to tip w/one 45-degree miter

Miter cuts shown for right-hand return panel installation



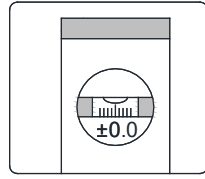
**Inline panel U-Channel = Glass Width + 1/16" = 29-7/8"**



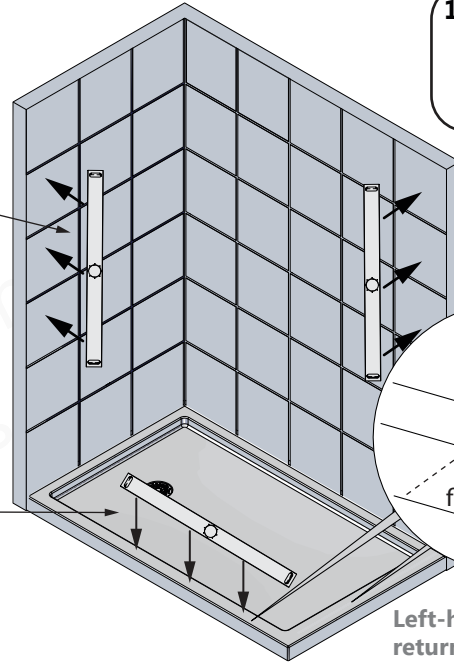
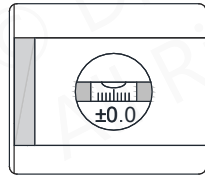
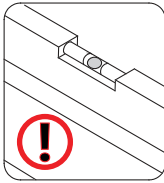
# Model Specific Preparation

Check walls and threshold with a level

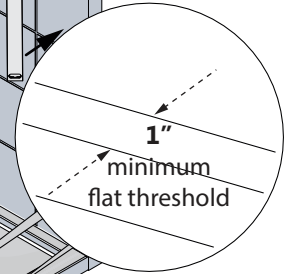
1/4" Max Out-of-Plumb adjustment on door-side wall



Thresholds must be level



1/2" Max Out-of-Plumb adjustment within the u-channel on return panel wall



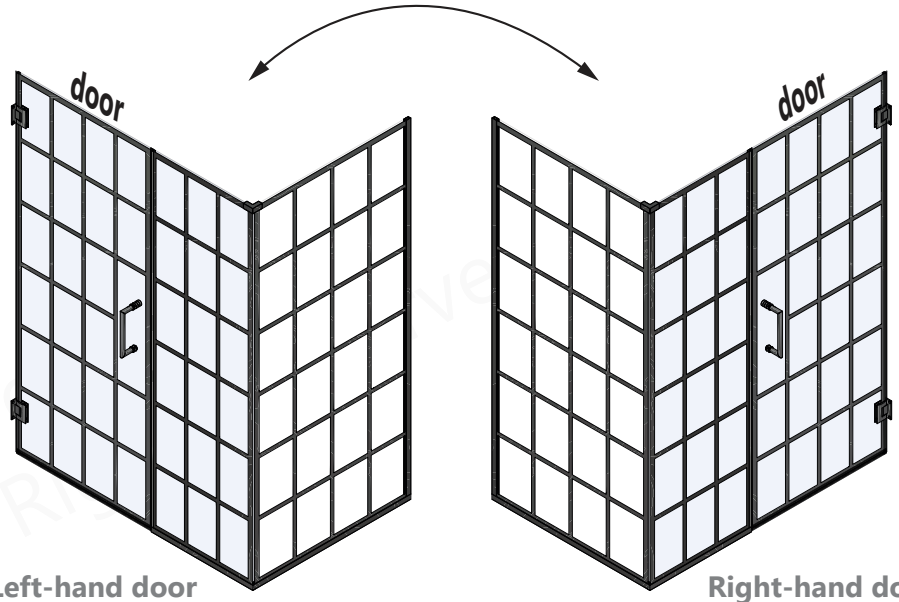
Left-hand door with right hand return panel installation shown as an example



**DO NOT** attach the handle and/or towel bar to the door glass until instructed.  
**DO NOT** attempt to use the handle/towel bar to lift the glass during installation. This may result in damage to the glass and/or serious injury. Always use a professional grade glass suction cup and an assistant.



Professional Installation recommended.  
 Find a local Certified Installer at [Dreamline.com](http://Dreamline.com)



Left-hand door

Right-hand door



**This model is reversible for right or left-hand door installation. The left-hand door installation is shown as an example throughout this manual. For the right-hand door installation, reverse the orientation of the steps as shown to install the door is on the right.**

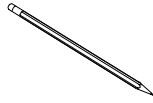
# Tools



Level



Tape Measure



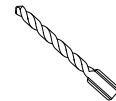
Pencil



Drill Bit  
Ø1/8"  
(3mm)



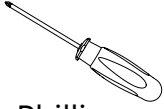
Drill Bit  
Ø3/16"  
(5mm)



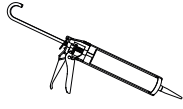
Drill Bit  
Ø1/4"  
(6mm)



Drill Bit  
Ø5/16"  
(8mm)



Phillips Screwdriver



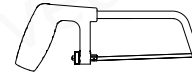
Silicone



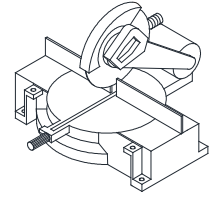
Power Drill



Soft Head Hammer



Hacksaw



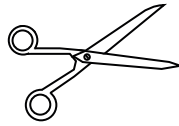
Miter saw



Metal File



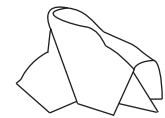
Razor Knife



Scissors



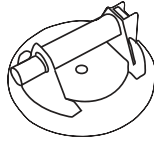
Mineral Spirits



Clean Rags



Painter's Tape



Professional-grade Glass suction cup



To be sure that the correct model size has been ordered, measure the finished opening before proceeding with the installation.



Cover the shower/tub drain with tape prior to installation to prevent the loss of screws or small parts.



To prevent stripping the screw heads, set power drill to a low setting when installing screws.

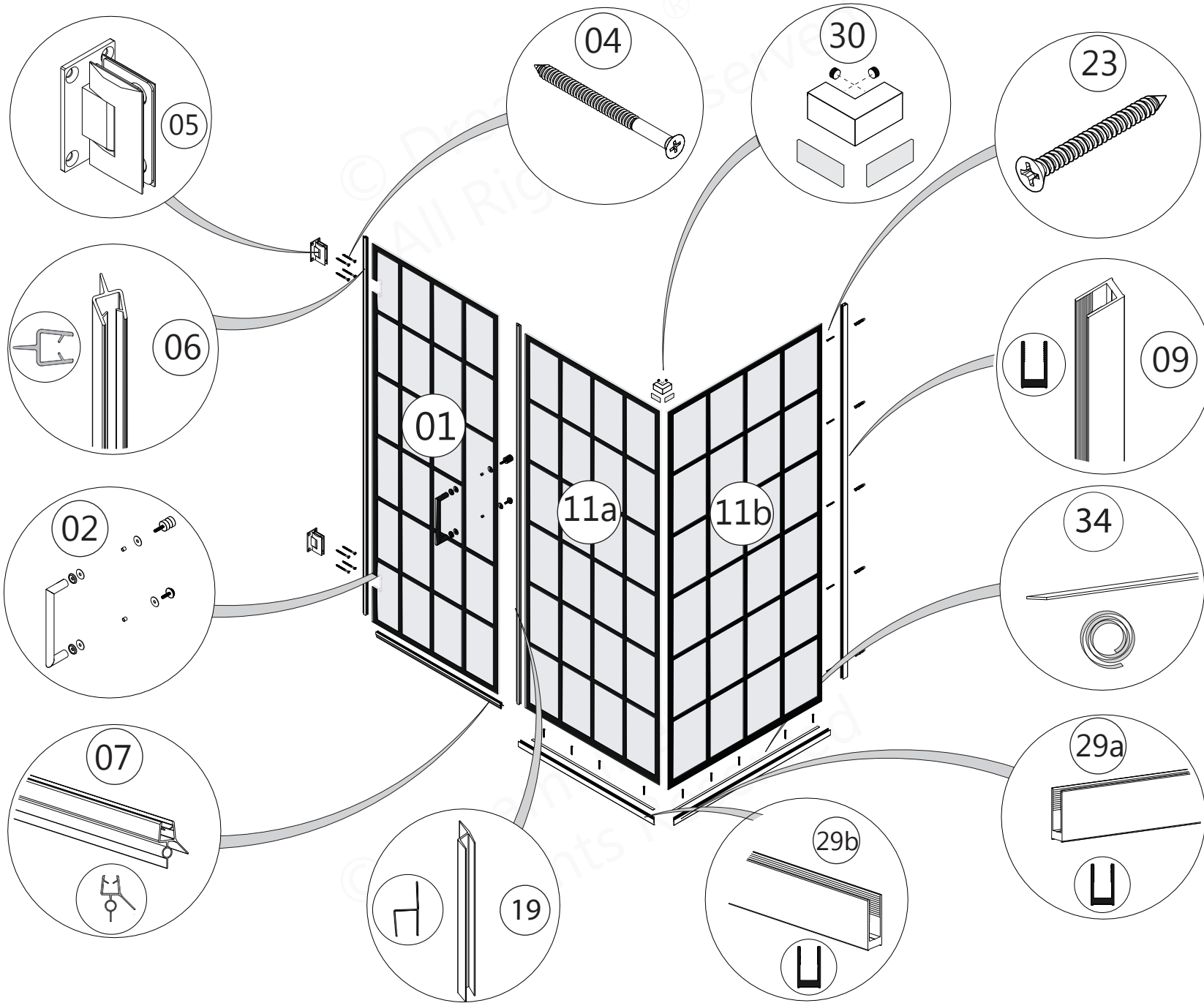


Unpack your unit carefully and inspect it. Lay it out and identify all parts using the **Detailed Diagram** on **page 11** and the included packing list in this manual as a reference. Before discarding the carton, check for small hardware bags that may have fallen to the bottom of the box. If any parts are damaged or missing, please contact DreamLine® for replacement. The shipping boxes may contain extra parts not used in your model configuration.



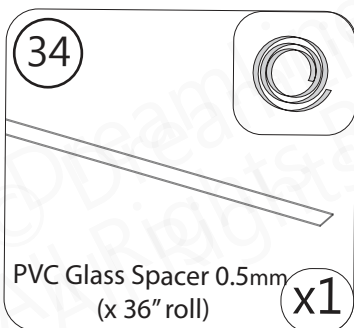
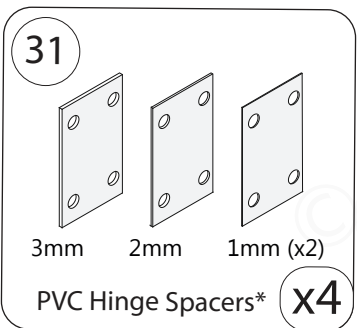
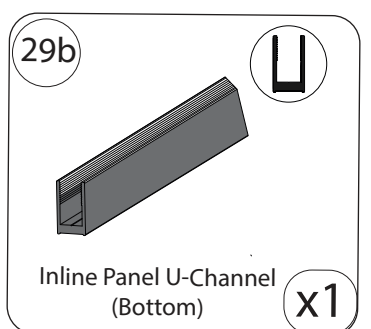
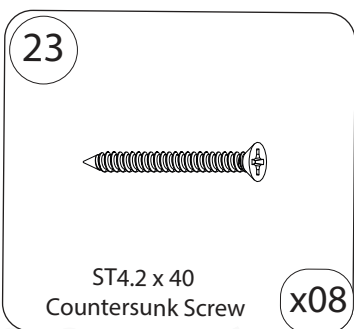
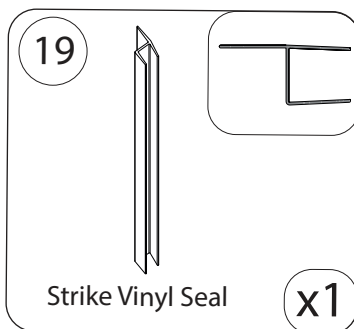
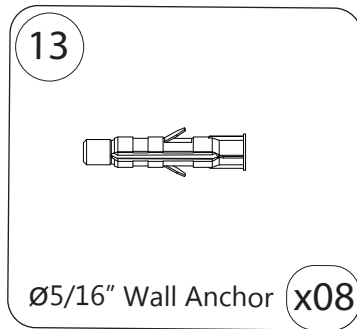
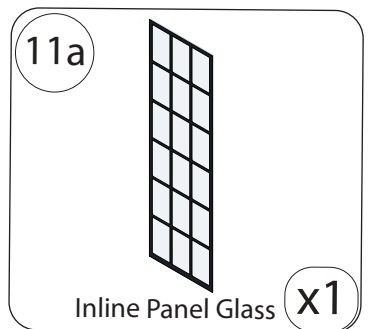
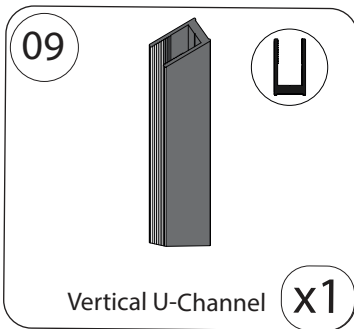
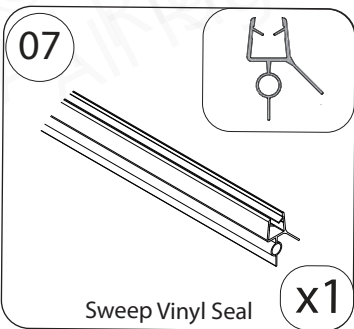
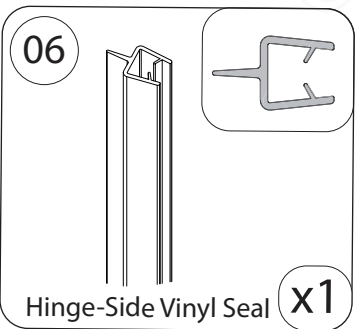
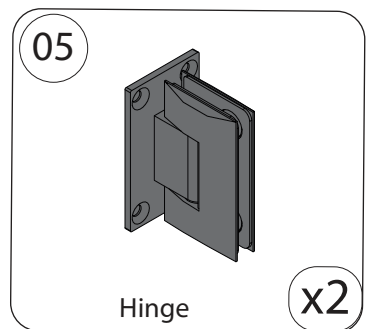
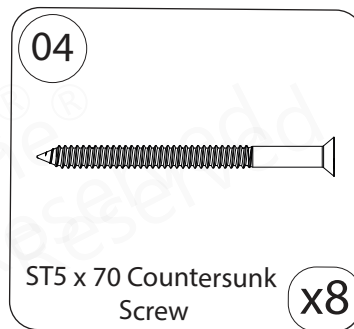
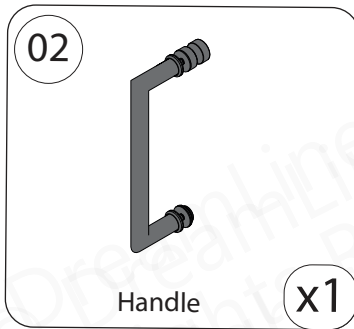
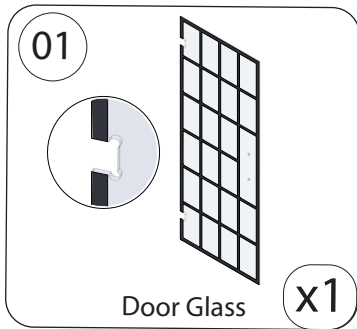
Retain these installation instructions for future reference.

# Detailed Diagram of Unidoor Toulon Enclosure Door Components



# Parts List

**BOX #1:** SHDR-24###720-89 (##=34/40/46/52/58)

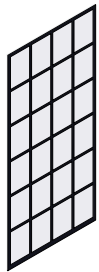


\*optional - used for out-of-plumb hinge wall only

# Parts List

**BOX #2:** SHDR-3234721-89

11b



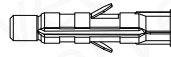
Return Panel Glass **x1**

09



Vertical U-Channel **x1**

13



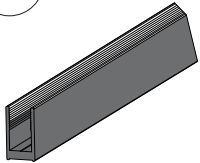
ø5/16" Wall Anchor **x08**

23



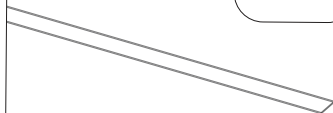
ST4.2 x 40  
Countersunk Screw **x08**

29a



Return Panel U-Channel  
(Bottom) **x1**

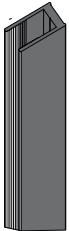
34



PVC Glass Spacer 0.5mm  
(x 36" roll) **x1**

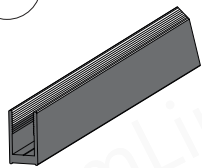
**BOX #3:** SHDR-AC2403-09

09



Vertical U-Channel  
(Only use one) **x1**

29a



Return Panel U-Channel  
(Bottom) **x2**

13



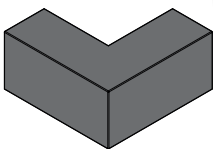
ø5/16" Wall Anchor **x08**

23



ST4.2 x 40  
Countersunk Screw **x08**

30



Corner Bracket **x1**

34



PVC Glass Spacer 0.5mm  
(x 36" roll) **x1**

**! NOTE:**

The U-channels in the AC2403 Accessories box are the only U-Channels necessary for the installation of this model.

Discard or recycle any unused U-Channels or hardware.

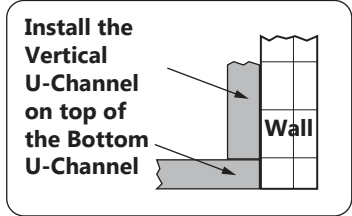
# Installation Overview

Place the **U-Channels (#09 and #29)** on the wall and threshold at the model dimensions based on your model size. as shown in the **"Enclosure Installation Dimensions"** (Pages 4-8).

**Note that the space for the door area must be no less than the "nominal door size" (Table A)**

**Table A**

Model Size SKU	Nominal Door size
SHEN-2434340-89	24-7/8"
SHEN-2434400-89	23-7/8"
SHEN-2434460-89	30-3/8"
SHEN-2434520-89	29-3/4"
SHEN-2434580-89	28"



**Hinge Wall Plumb tolerance:**

**+1/4" max (out-of-plumb)**

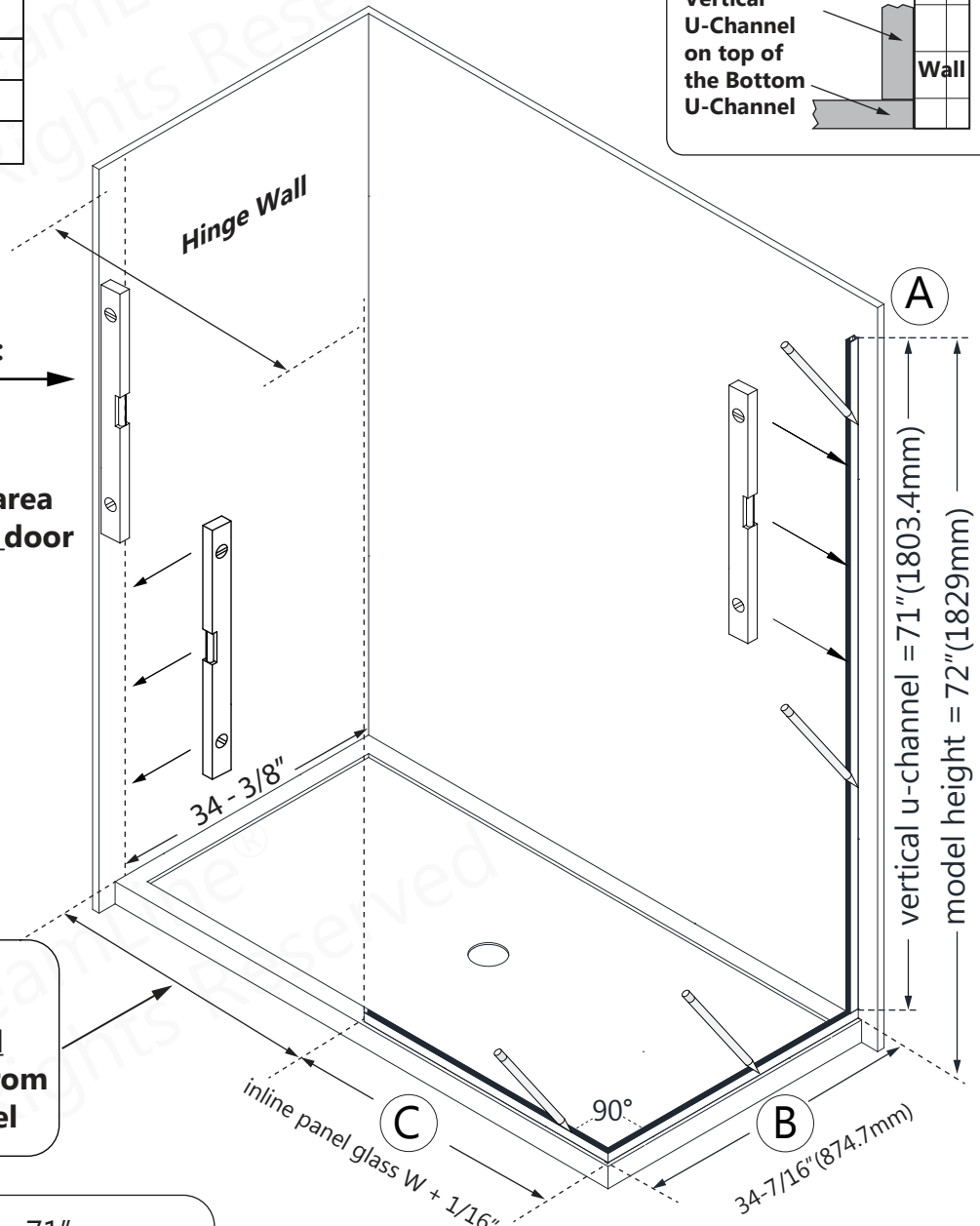
**- 0" max (opening for door area cannot be less than nominal door size: see Table A)**

**(Left-side door installation shown)**



**NOTE: Refer to Table A**  
This space **MUST** be no less than the **nominal door size** as measured from the wall to the U-Channel

- A** Cut Vertical U-Channel = 71"
- B** Cut Return Panel Bottom U-Channel: = 34-7/16" w/45° miter
- C** Cut Inline Panel Bottom U-Channel: = Glass Width (+) 1/16" w/45° miter



**Fig 1**

Dimensions as measured from the finished wall to the outside of the U-Channel

**See Steps 6 & 7 on Pages 21-22**

Right-side return panel installation shown

1

# Installation Steps

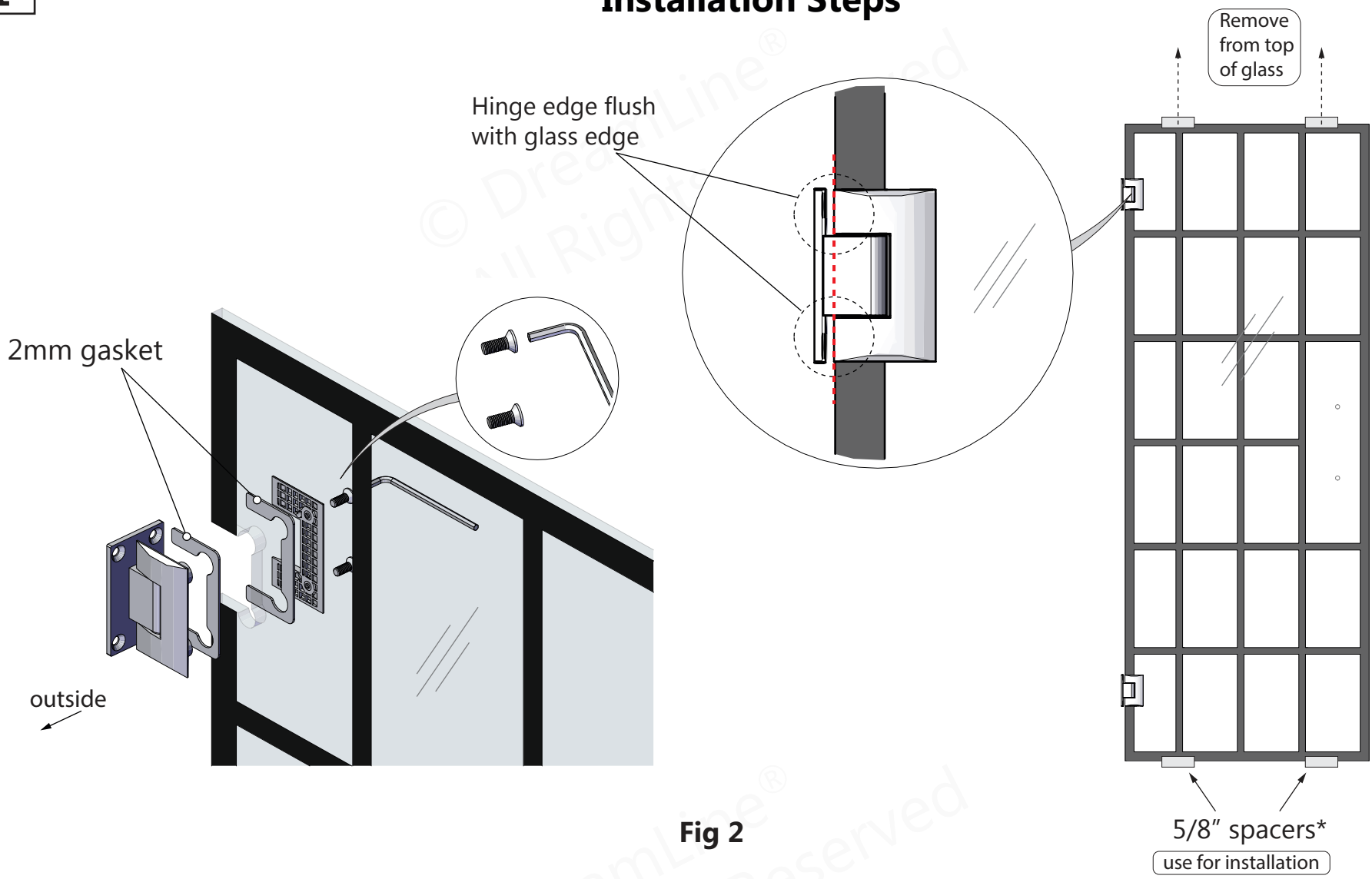


Fig 2

### Parts Needed

\* 5/8" spacers are provided with the door glass

05

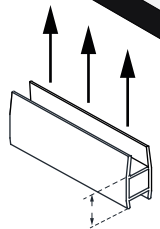
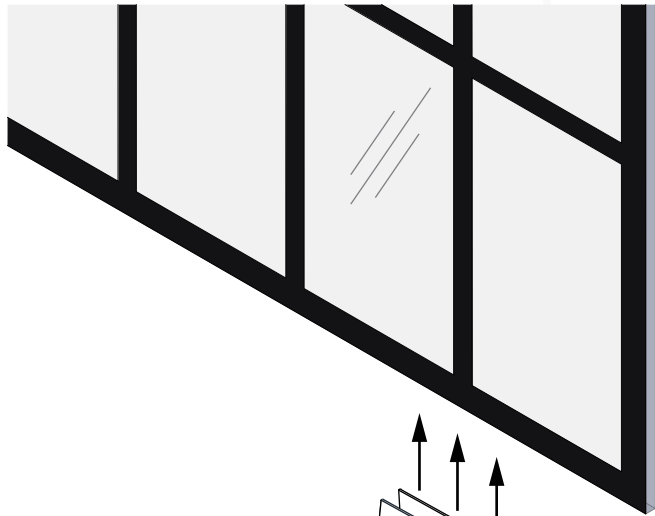
x2

01

x1

### Tools Needed

2



5/8" spacers

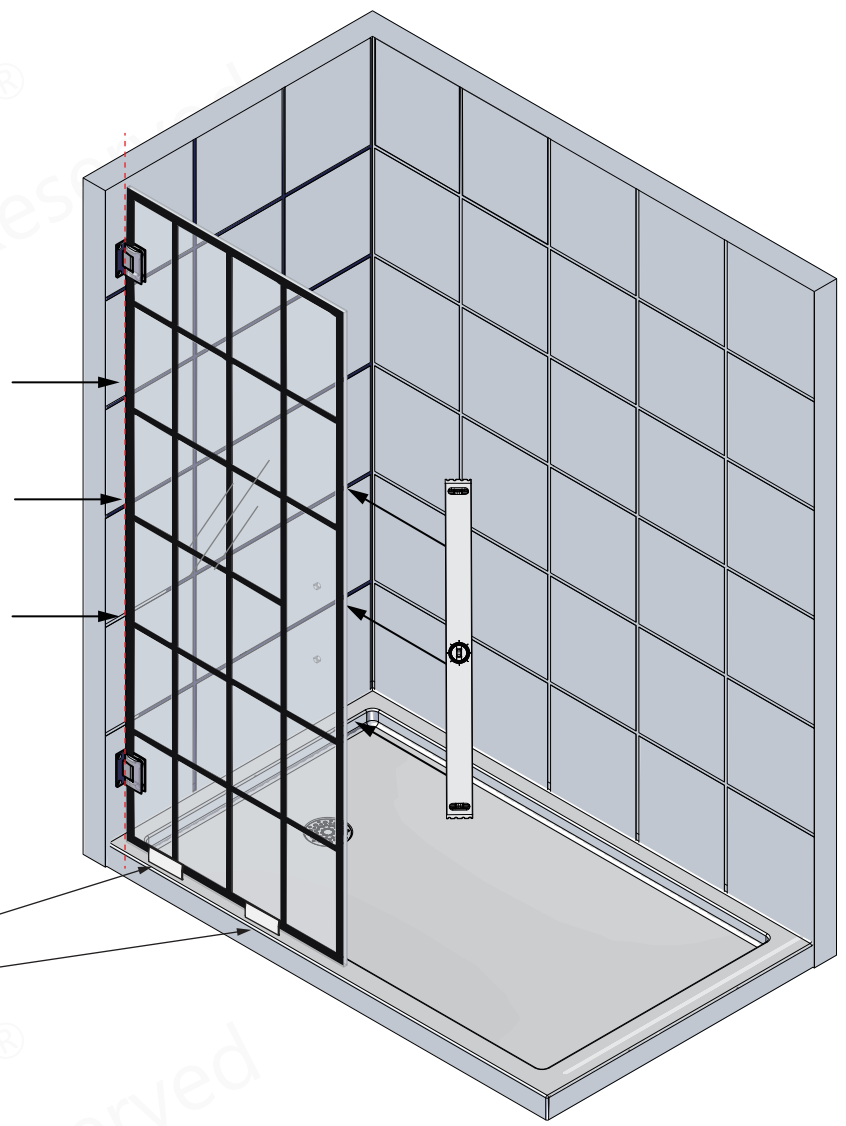
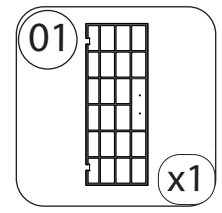
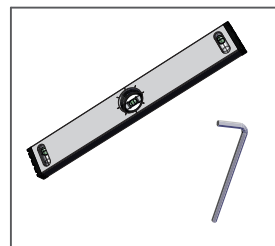


Fig 2a

Parts Needed

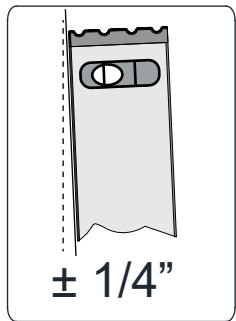


Tools Needed





**Option for out-of-plumb hinge wall:** Use the **PVC hinge spacers (#31)** ONLY as necessary to correct for an out-of-plumb wall condition on the hinge-side wall (1/4" max!). Use the **PVC hinge spacers (#31)** behind one hinge plate to plumb the door. **Do not exceed 1/4" of adjustment.** (Fig 2b)



1/4" Maximum adjustment for Out-Of-Plumb on the hinge wall

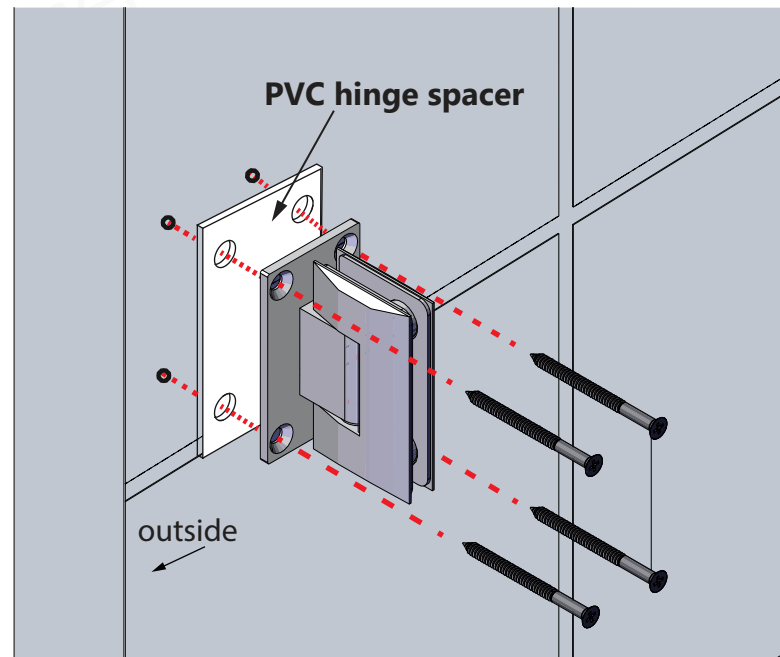
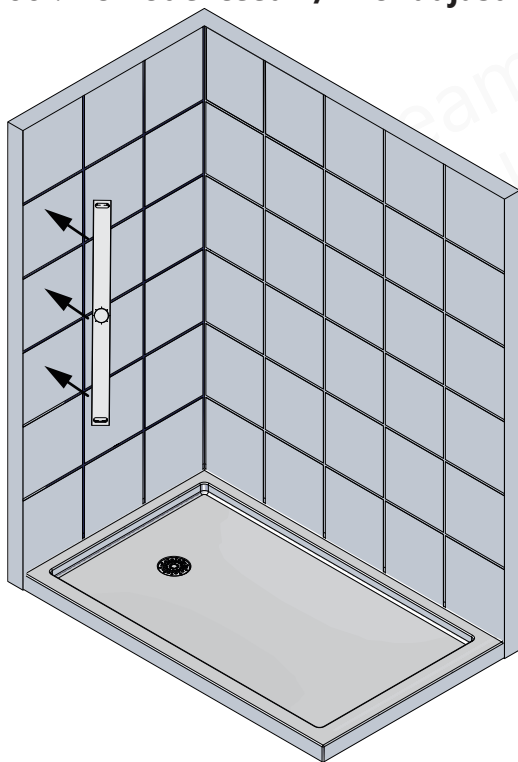
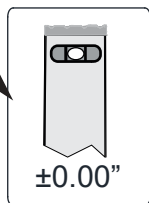
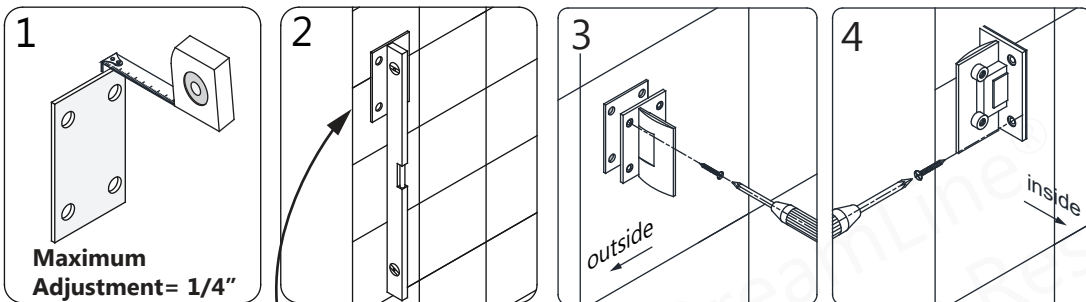
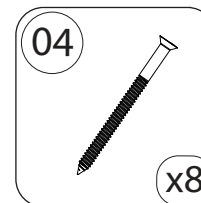
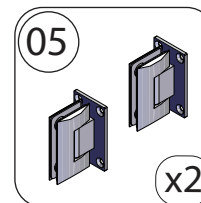
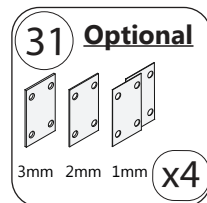


Fig 2b

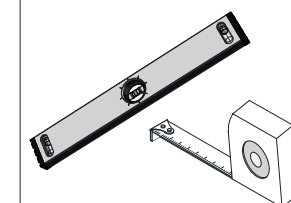


Use the PVC hinge spacers to bring your level to plumb

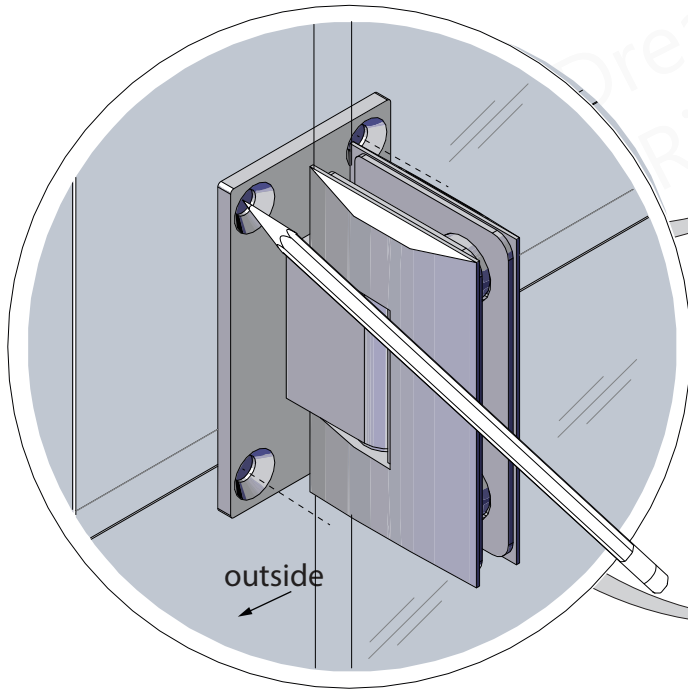
**Parts Needed**



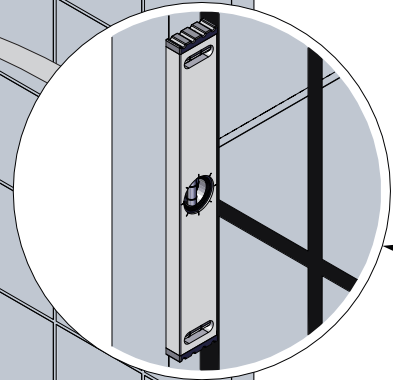
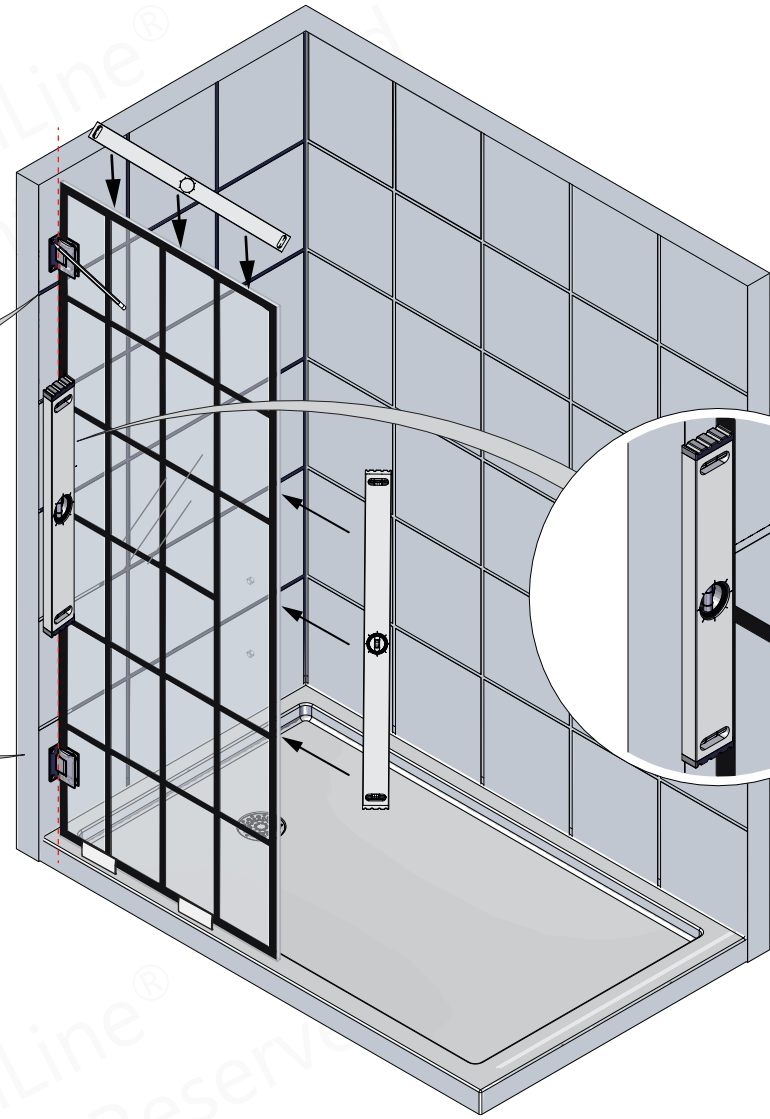
**Tools Needed**



3



See Note Below



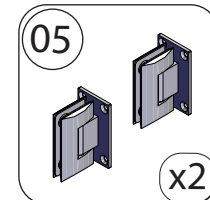
Be sure the Door Glass is plumb

Fig 3

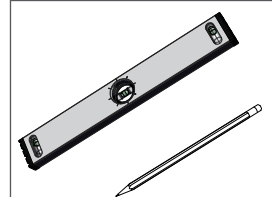


Hinges must be attached to wood support behind the wall. Do not use anchors or toggle bolts to secure hinges.

Parts Needed



Tools Needed



4

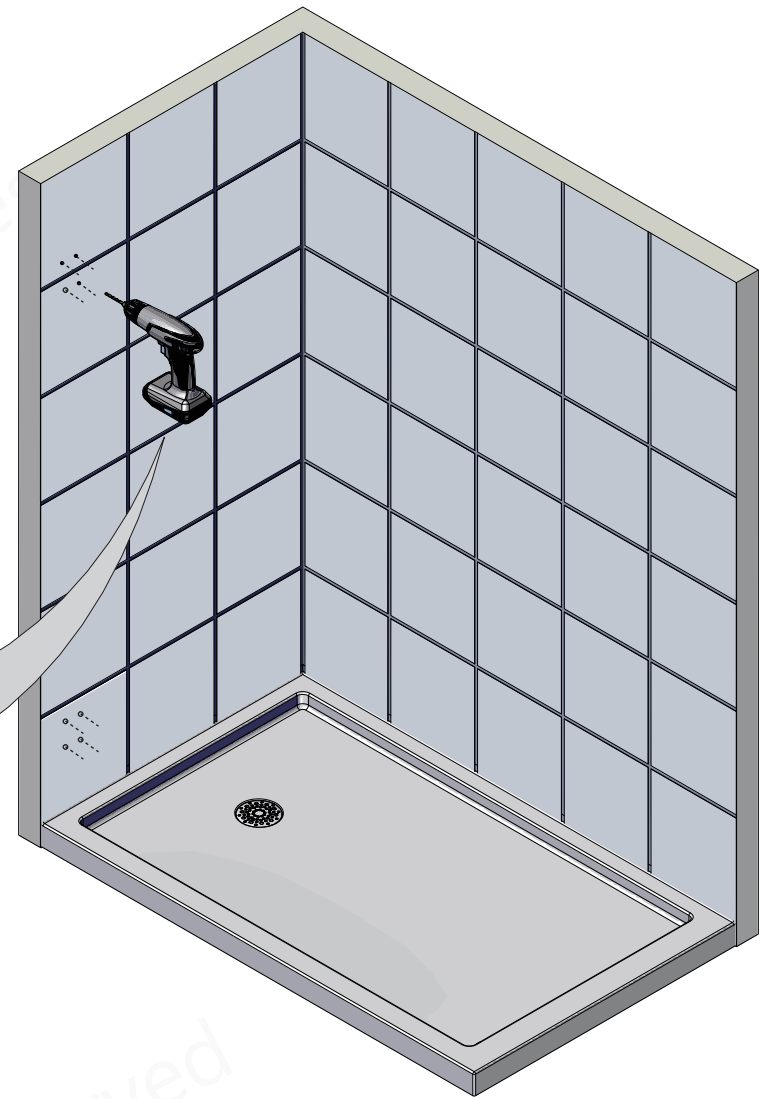
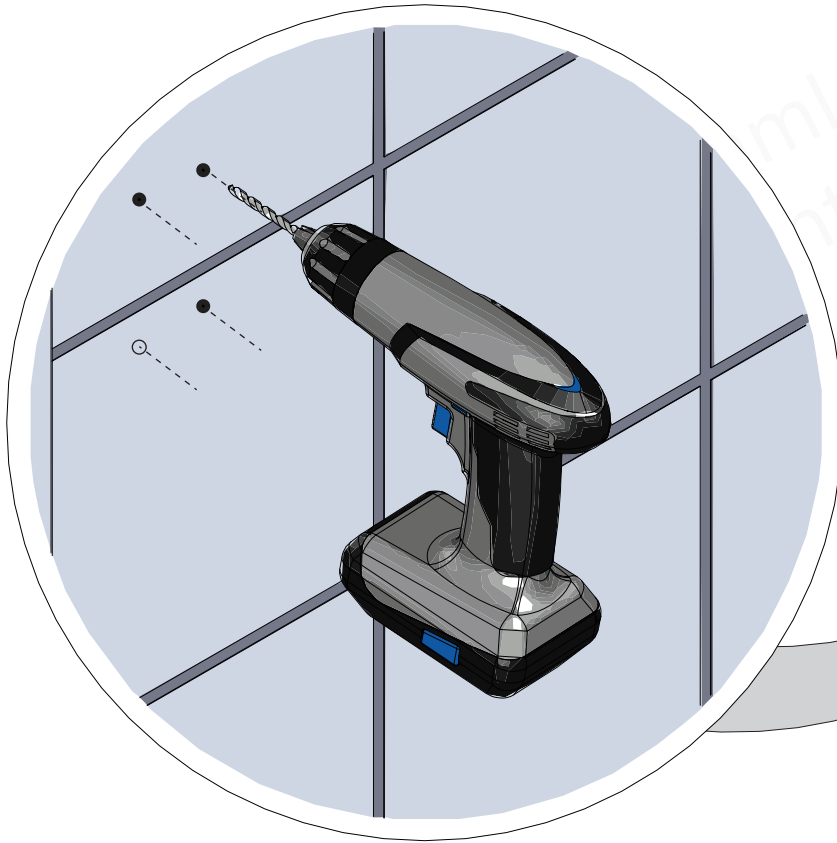


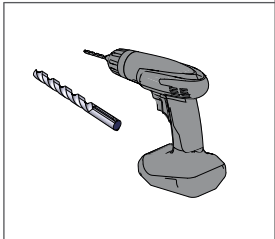
Fig 4



Use a  $\varnothing$  1/4" drill bit to drill the holes up to the stud.

Use the correct type of drill bit for the surface material

**Tools Needed**



5

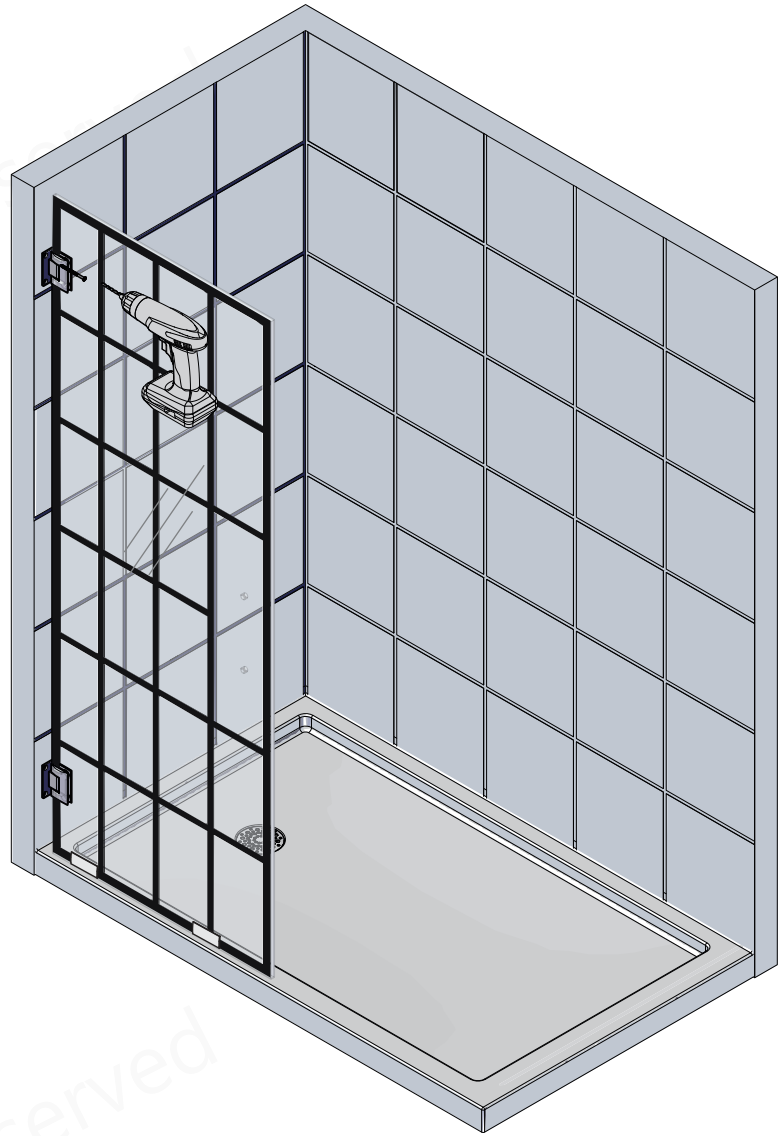
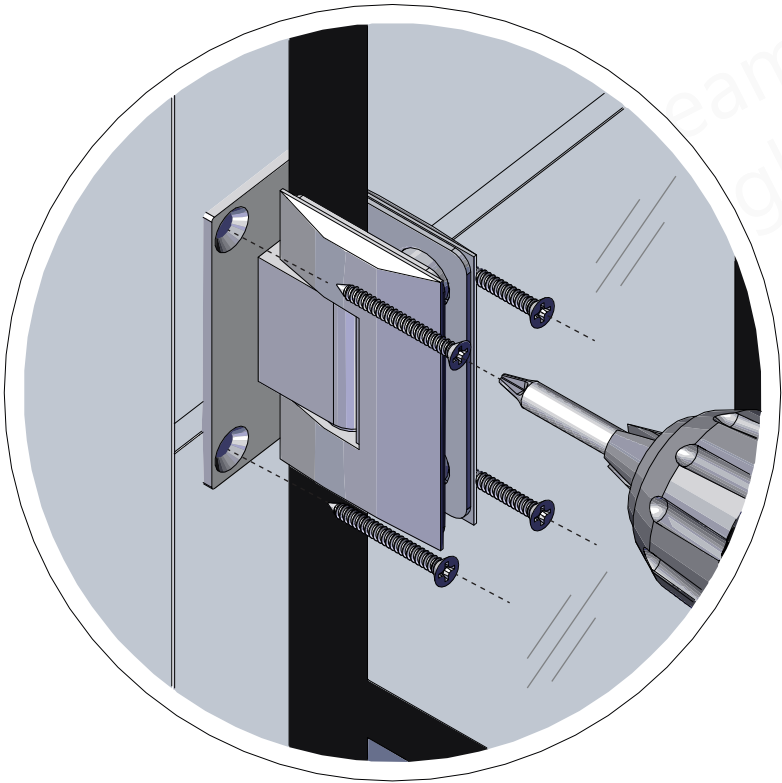
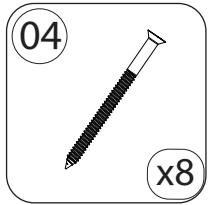
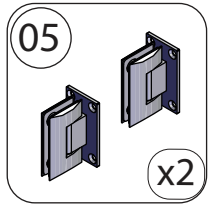


Fig 5

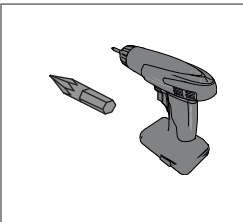


Use an extension bit and protect the finished surfaces of the hinge with tape during installation

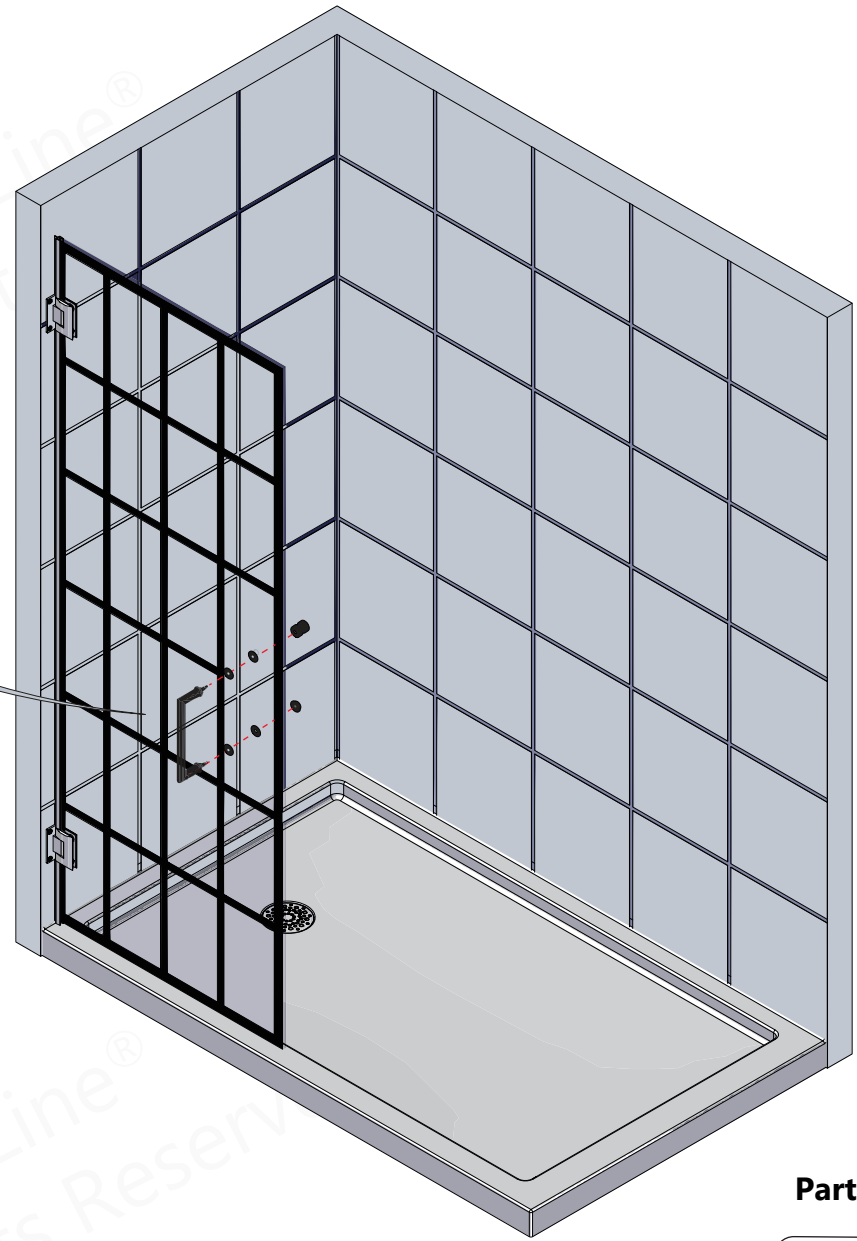
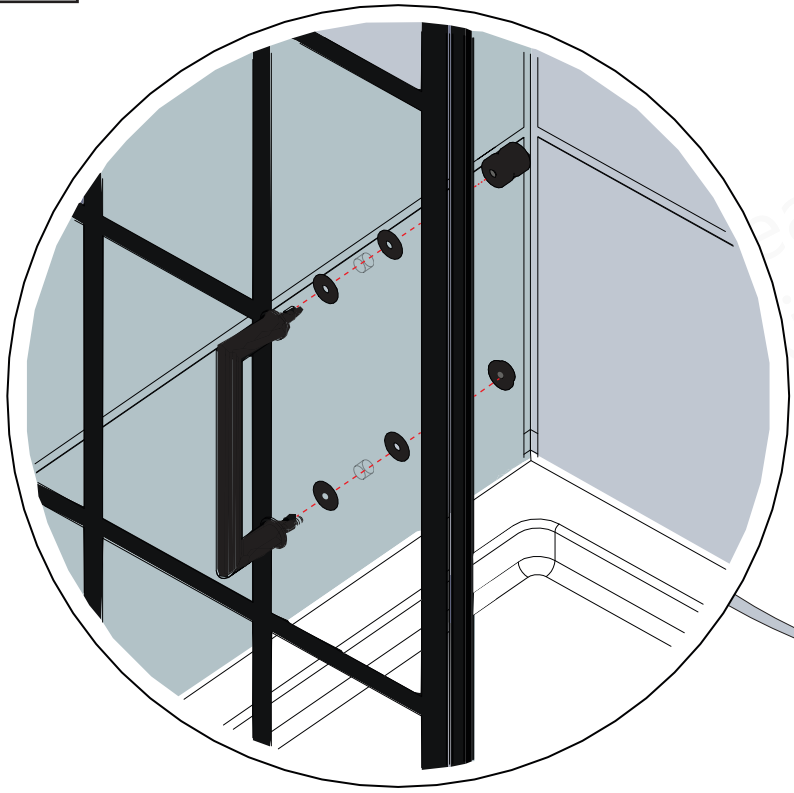
Parts Needed



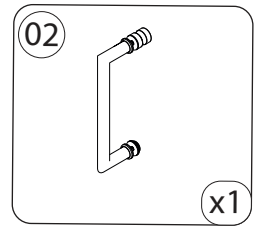
Tools Needed



6

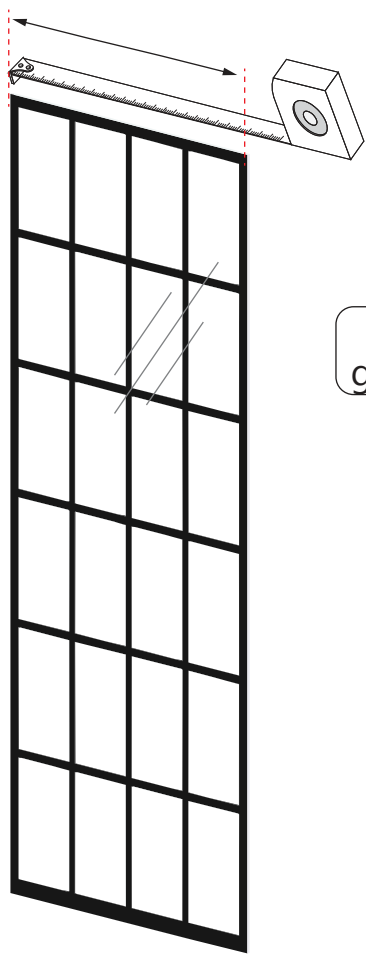


Parts Needed



© DreamLine®  
All Rights Reserved

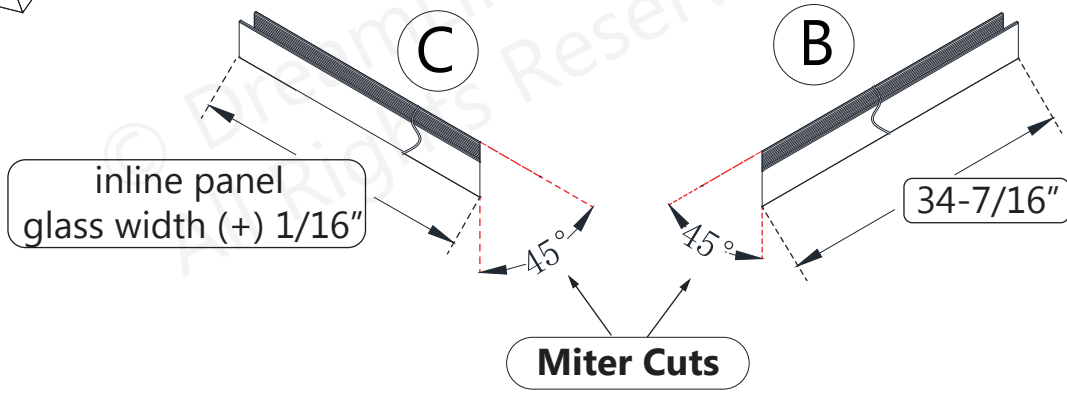
7



Part #29b  
(for inline panel)

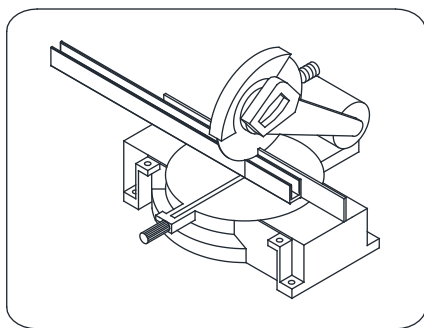
Part #29a  
(for return panel)

Part #09



A

71"

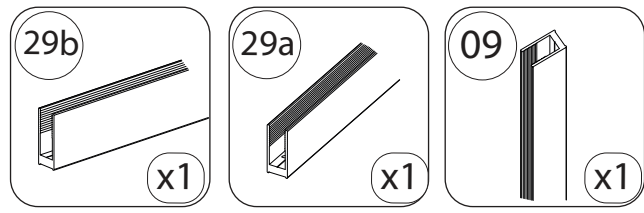


**!** Miter cuts shown are for a right-hand return panel installation. Reverse for left-hand installation.

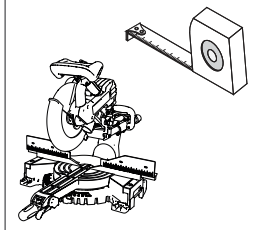
**!** Cut sizes are based on the finished model dimensions provided on pages 4 - 8.

Fig 6

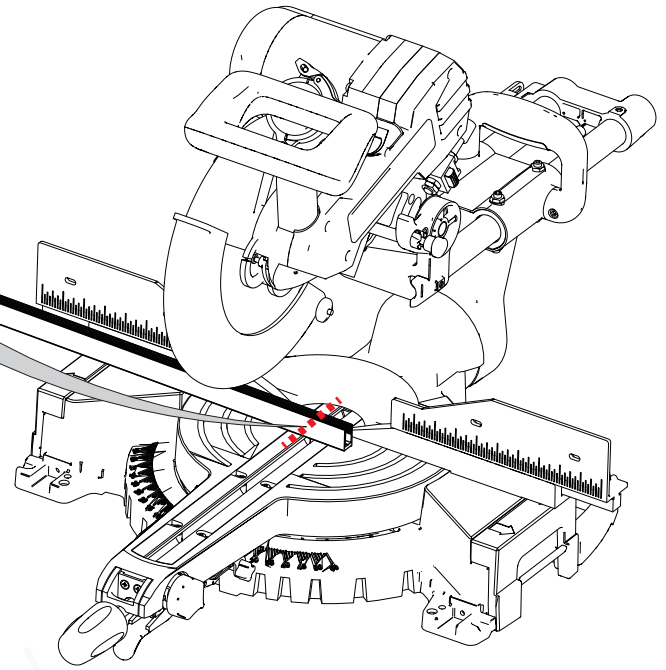
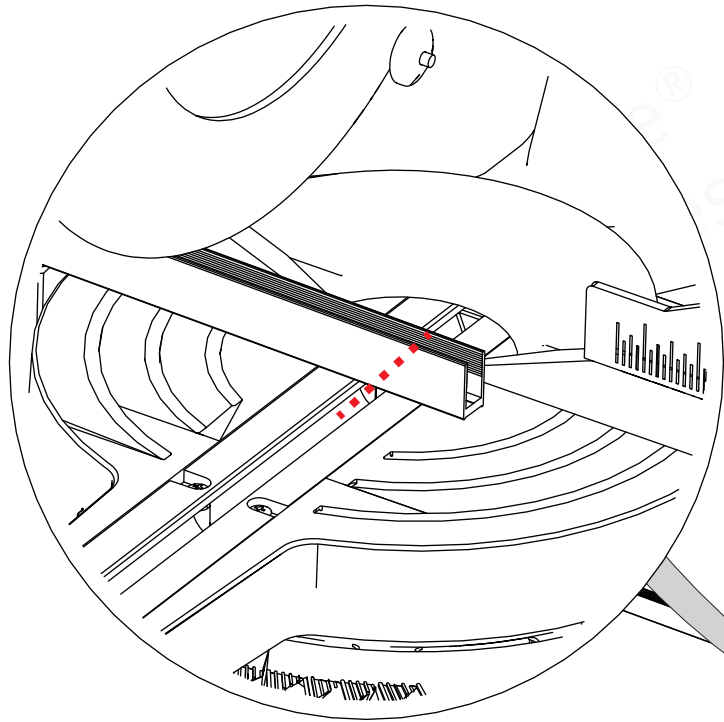
Parts Needed



Tools Needed



8



OR

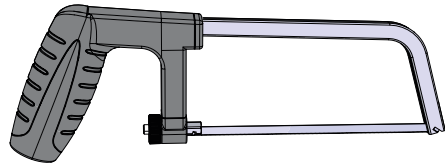


Fig 7

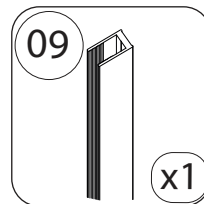
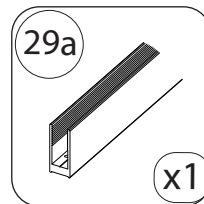
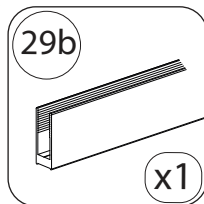


Metal File

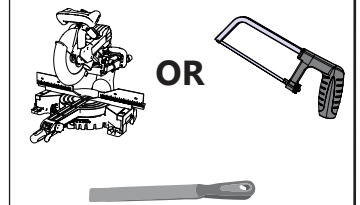


Use a metal file to remove any burrs from the cut ends of the U-Channels before placing them onto the glass.

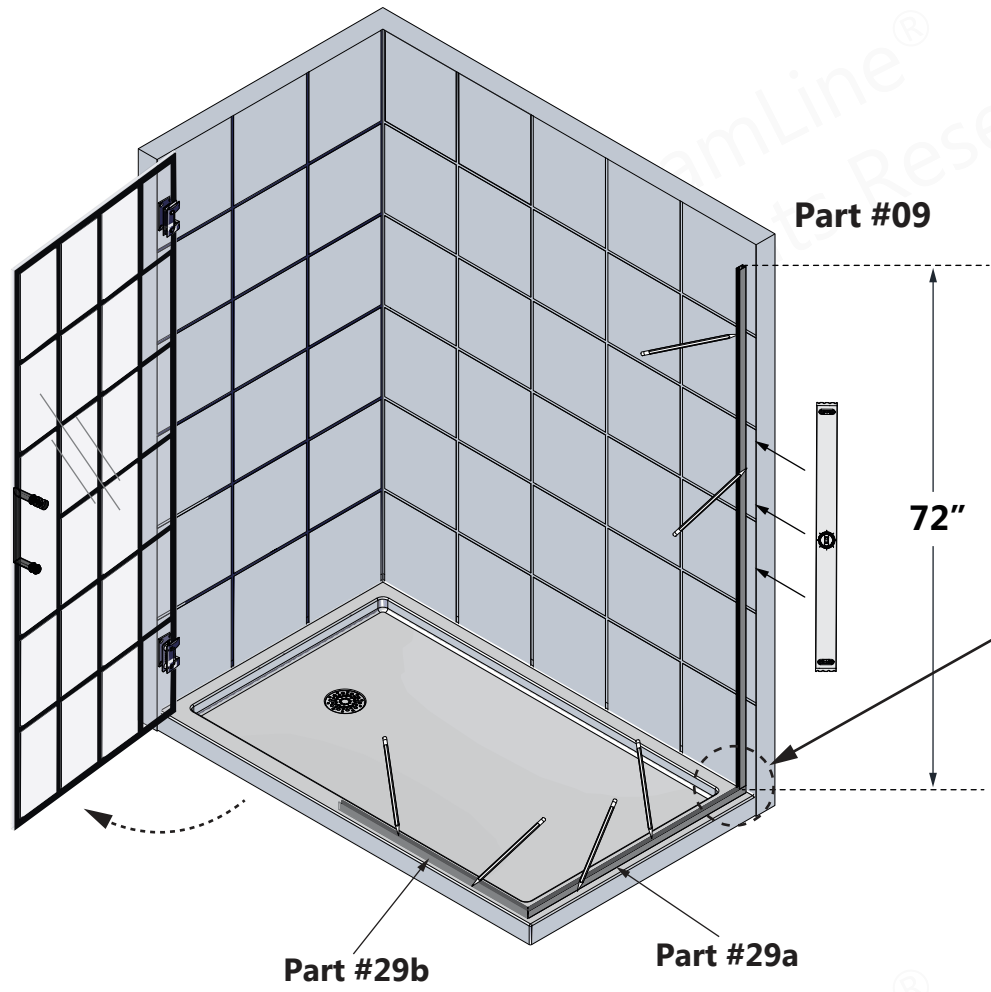
Parts Needed



Tools Needed



9



**Install the Vertical U-Channel on top of the Bottom U-Channel**

**Wall**

Use masking tape or painter's tape to outline and mark the positions of all U-Channels before installing them. Be sure all lines are square and/or plumb. Double-check all measurements, making sure the Channels line up correctly and that correct space is left for the door glass. (see **Table A** on page 14)

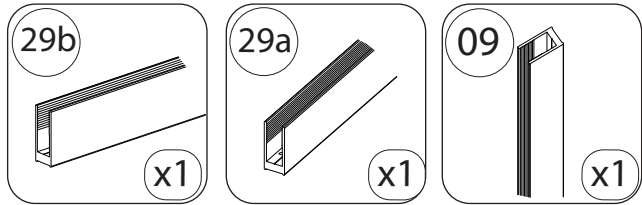


Fig 8

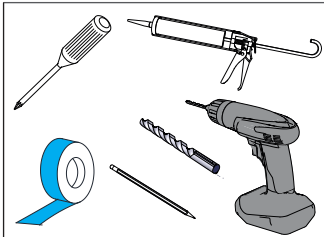


Remove the shims from under the door

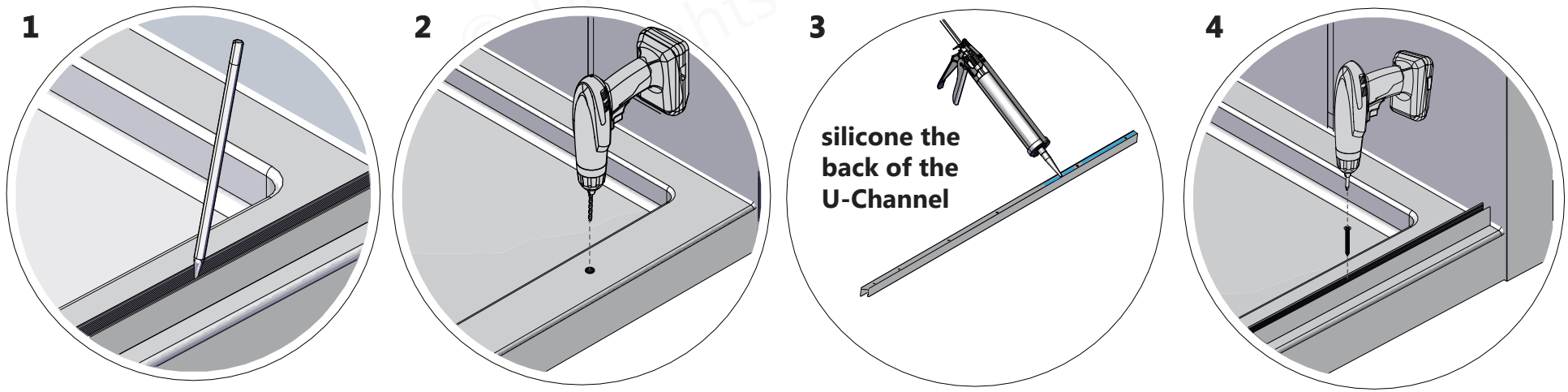
**Parts Needed**



**Tools Needed**



10



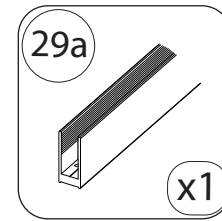
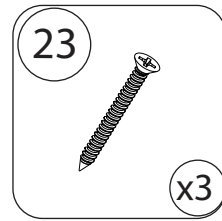
\*See NOTE below

Fig 9

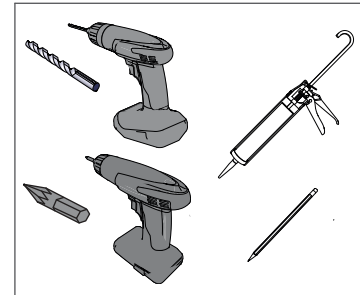


**\* For a tile threshold: Drill a 3/16" hole**  
**\* For an acrylic threshold: Drill an Ø1/8" hole**

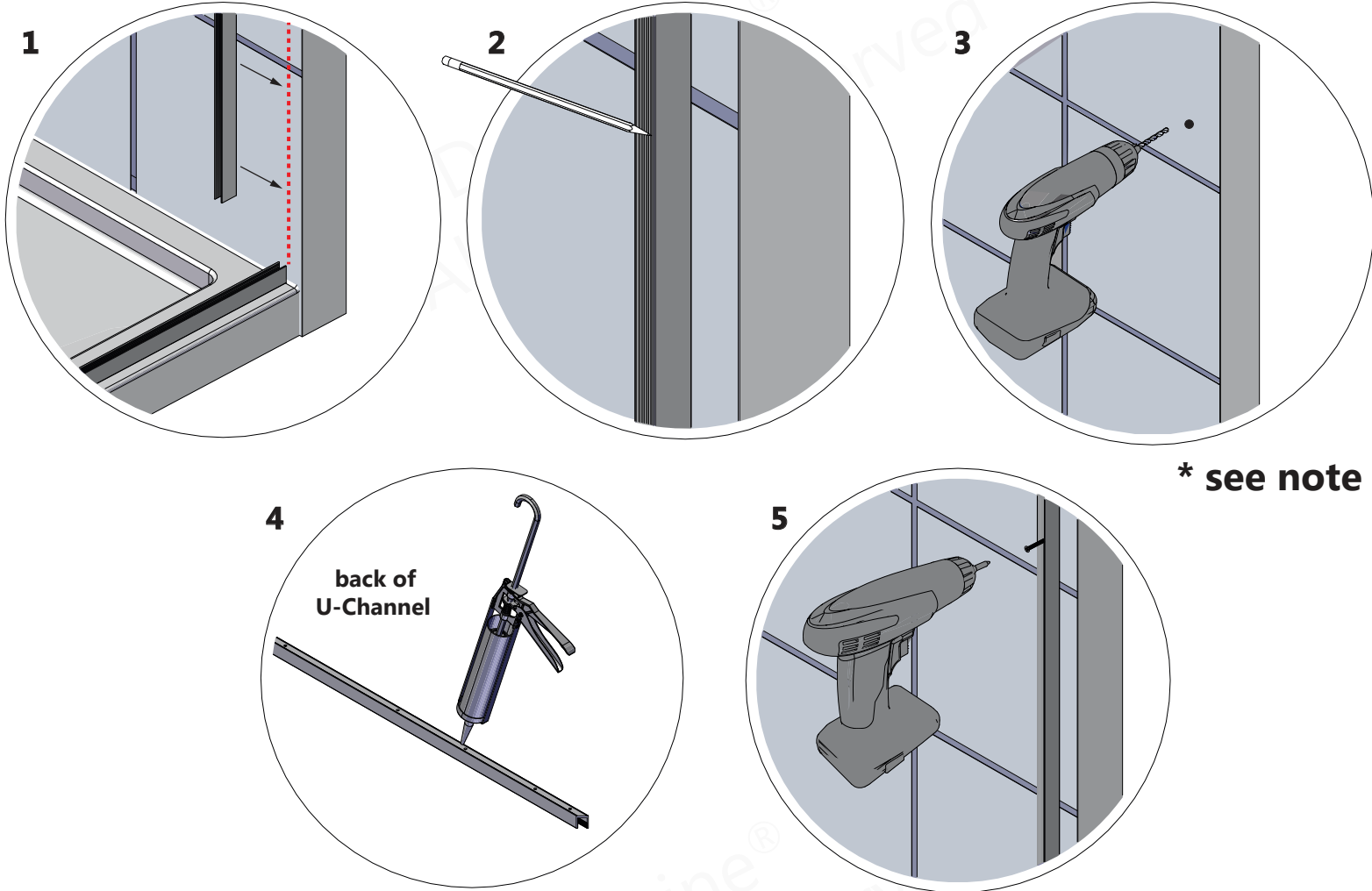
Parts Needed



Tools Needed



11




\* see note




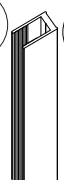

Fig 10

**NOTE**

- **If a stud is present behind the wall:** drill a  $\text{Ø}3/16''$  (4mm) hole up to the stud and use the **ST4.2 x 40mm Countersunk Screws (#23)**
- OR
- **If no stud is present behind the wall:** drill a  $\text{Ø}5/16''$  (7mm) hole and insert the **Wall Anchors (#13)** and use the **ST4.2 x 40mm Countersunk Screws (#23)**.

13   
\*see note x6

23   
x6

09    
x1

Parts Needed

Tools Needed

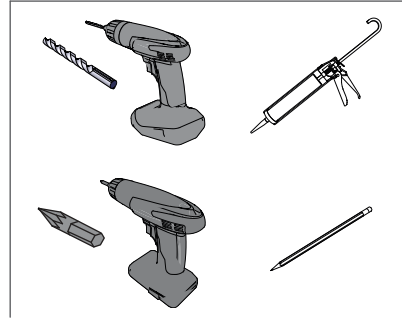
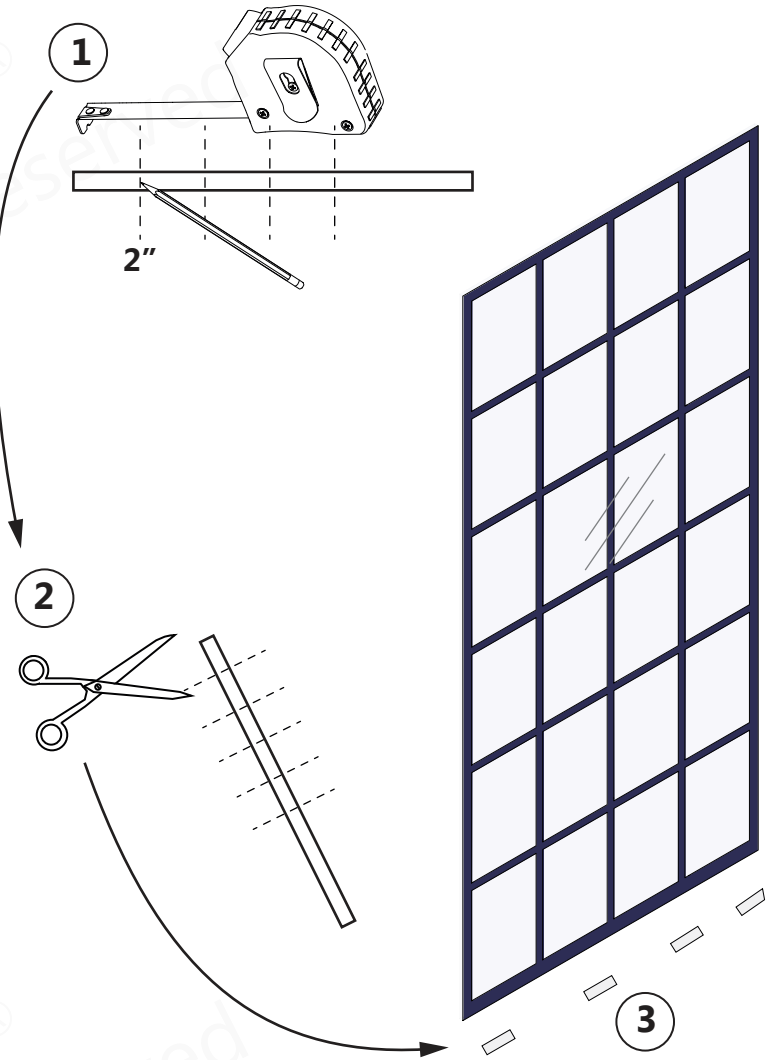
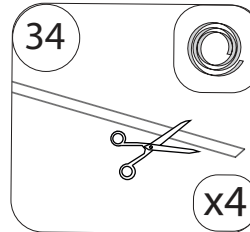
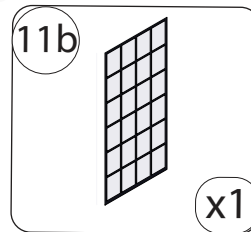




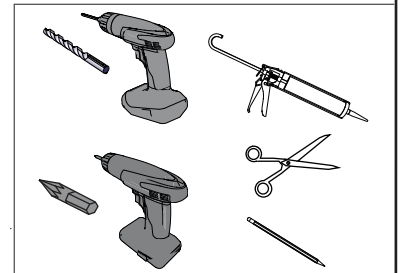
Fig 11

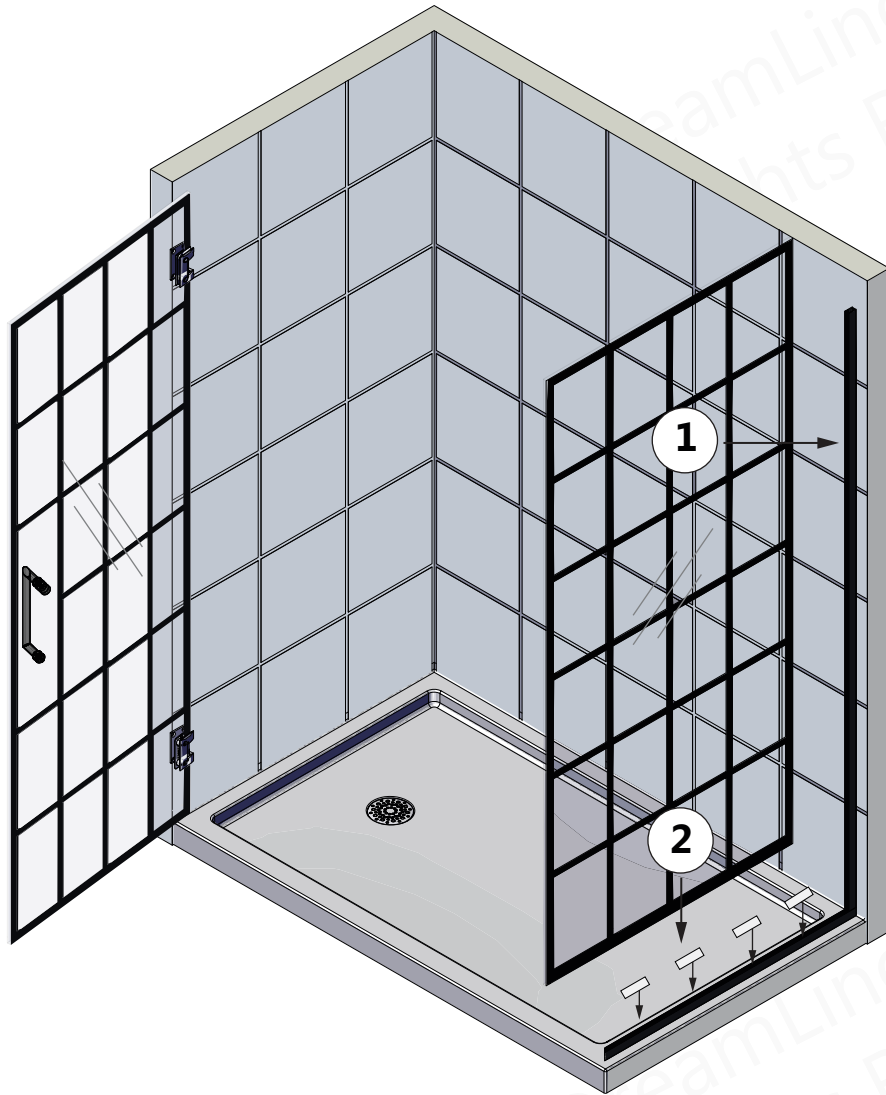


Parts Needed



Tools Needed

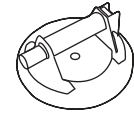




Insert panel glass into the vertical U-Channel first ...



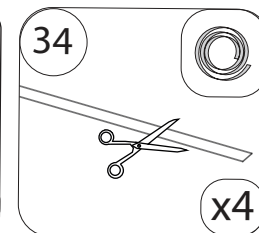
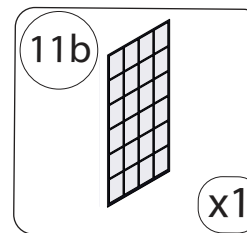
...then slide the panel glass down into the bottom U-Channel



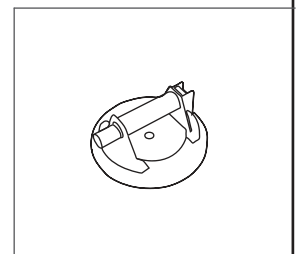
A professional-grade Glass Suction Cup is recommended for handling heavy glass

Fig 12

**Parts Needed**

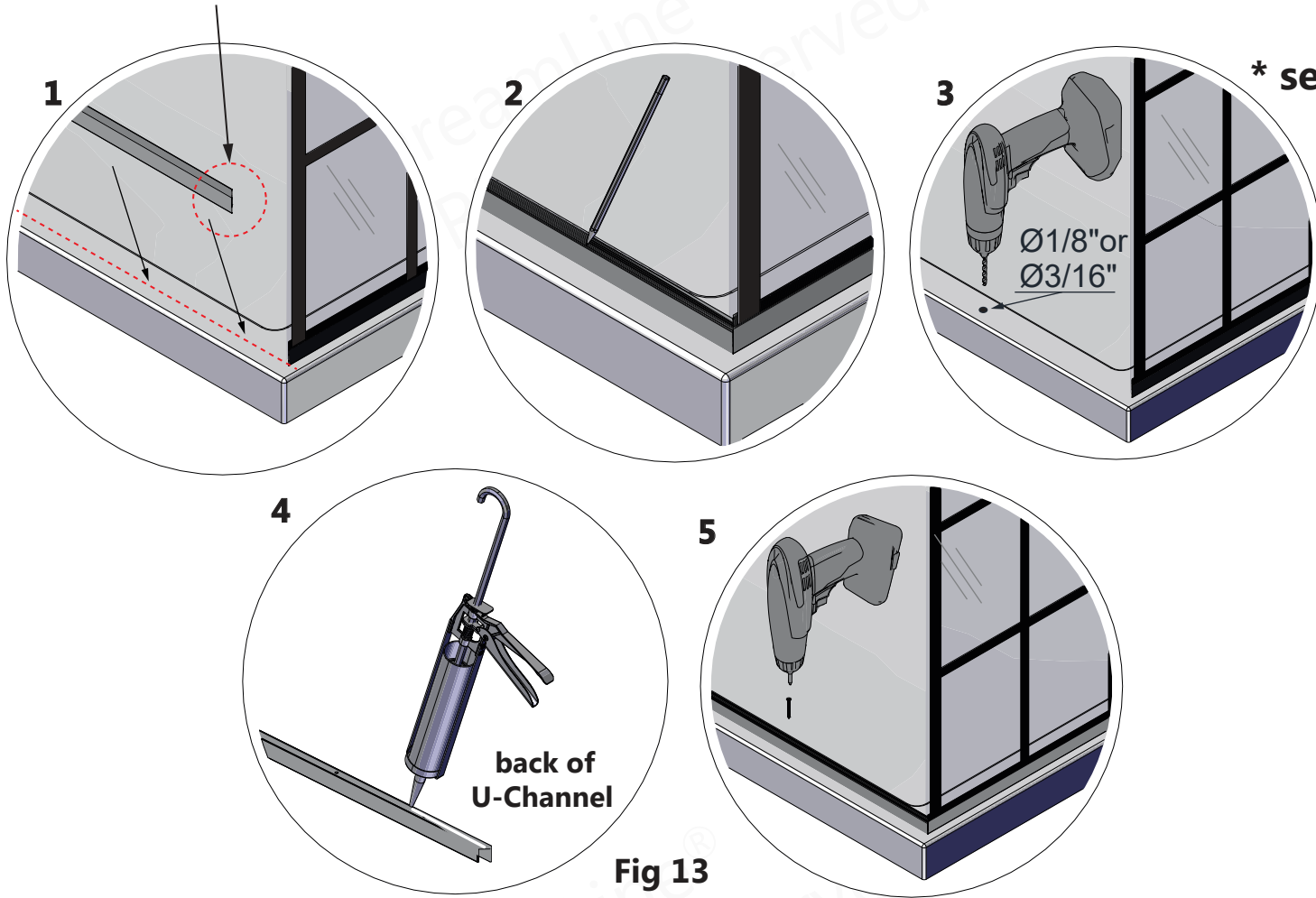


**Tools Needed**



14

U-Channel cut-to-size  
with 45° outside miter



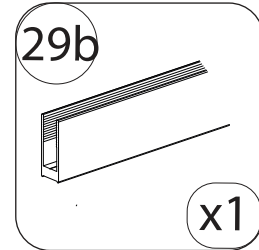
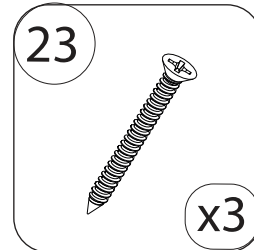
\* see note

Fig 13

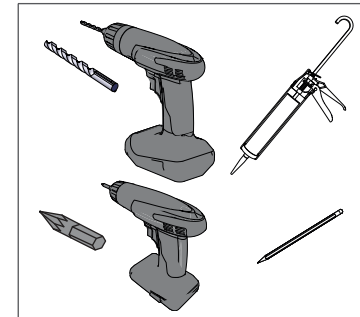
**NOTE**

\* **For a tile threshold:** Drill a 3/16" hole  
 \* **For an acrylic threshold:** Drill an Ø1/8" hole

Parts Needed



Tools Needed



15

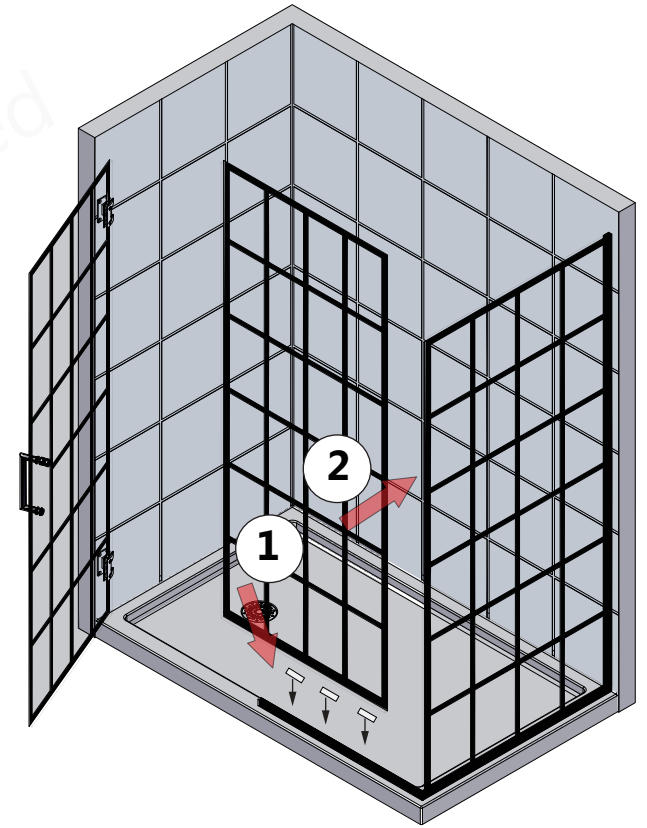
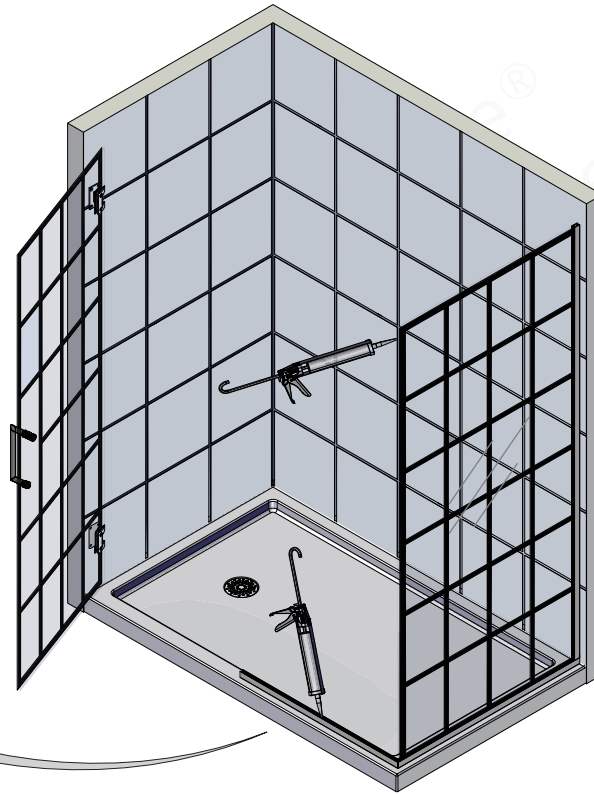
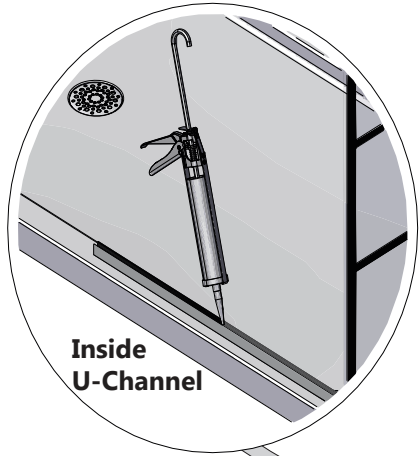
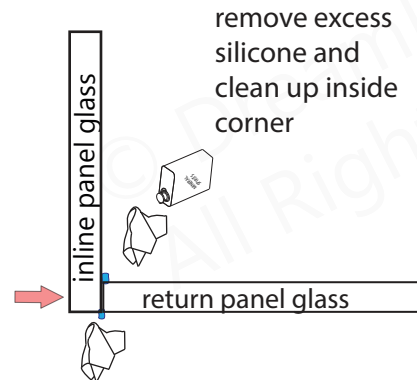
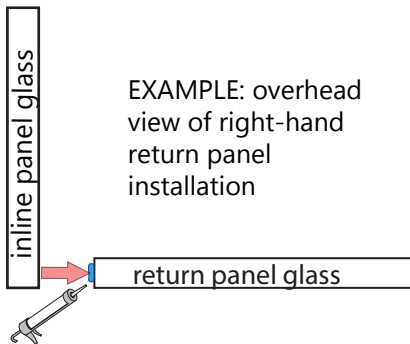
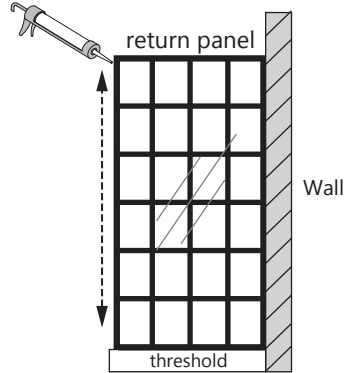
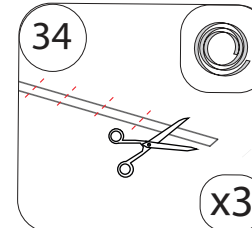
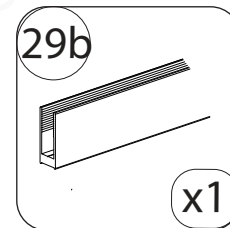


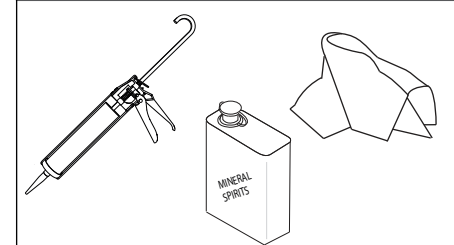
Fig 14



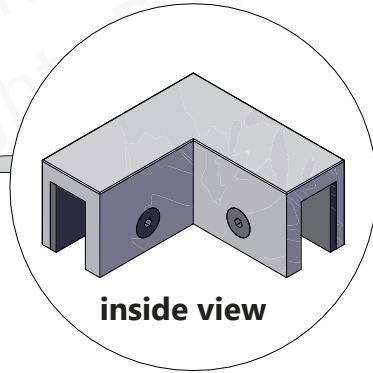
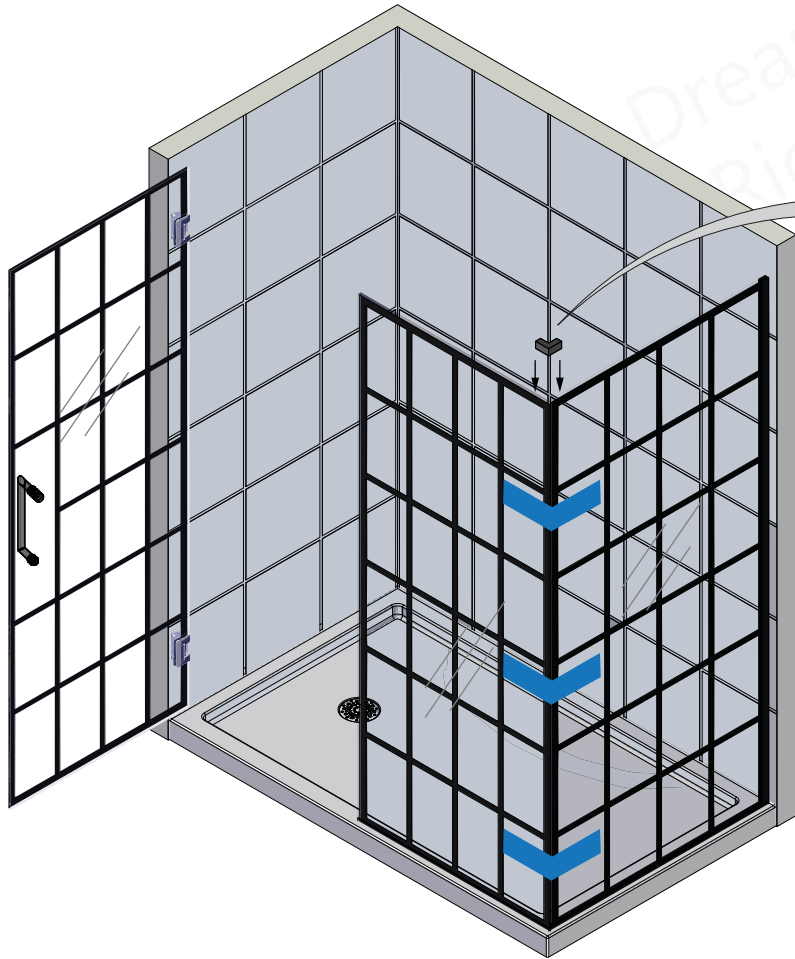
Parts Needed



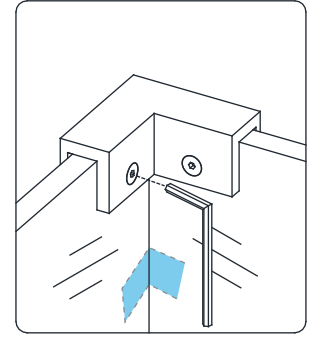
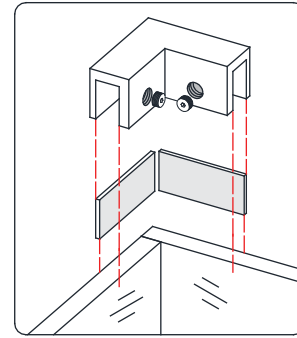
Tools Needed



16



inside view

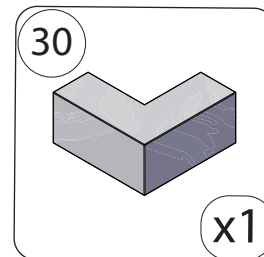


(inside view)

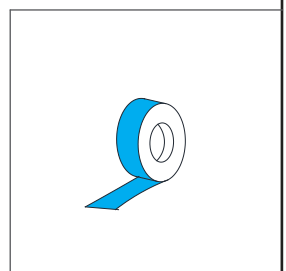
Fig 15

Right-side return panel installation shown as an example

Parts Needed



Tools Needed



17

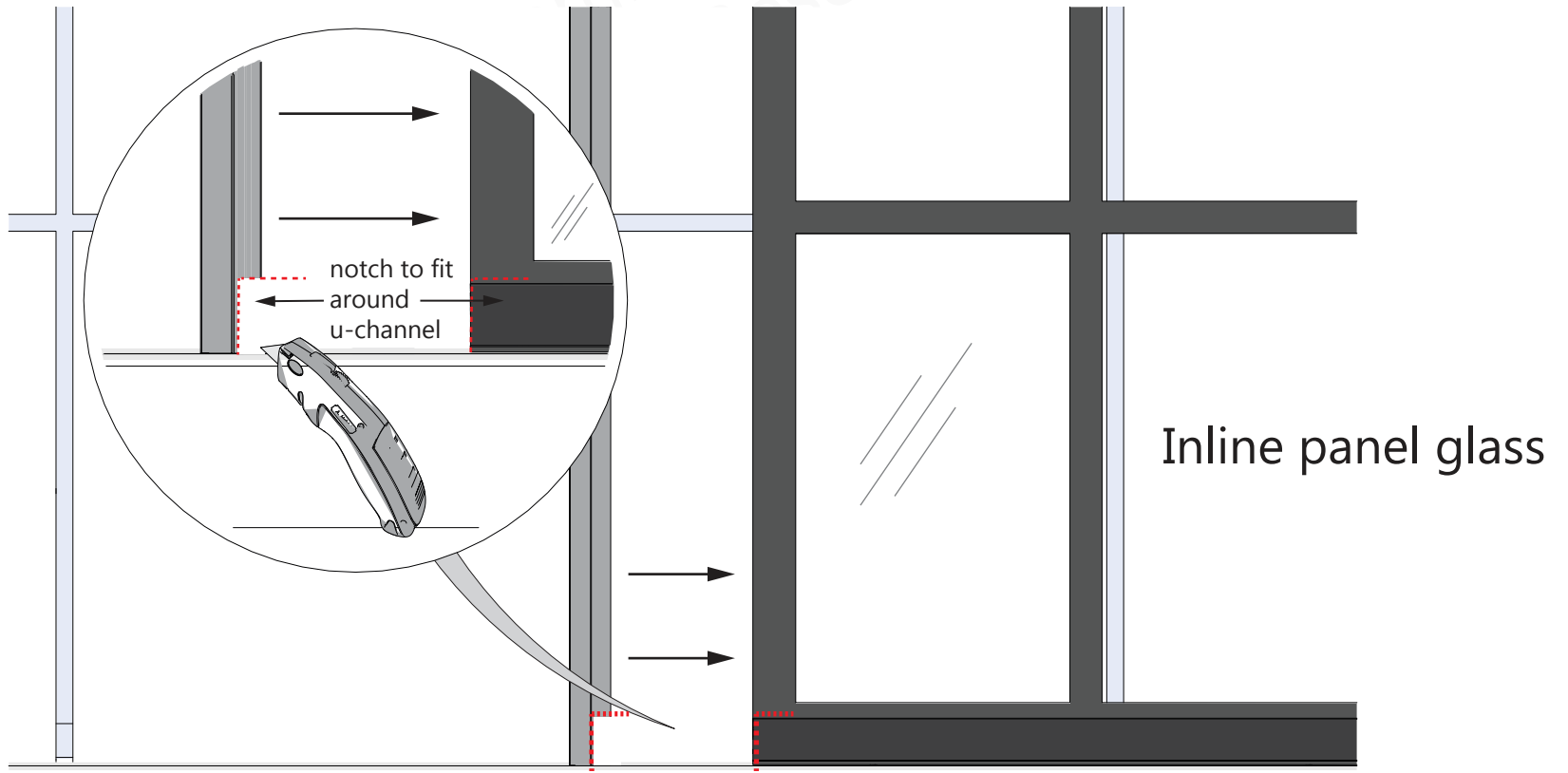
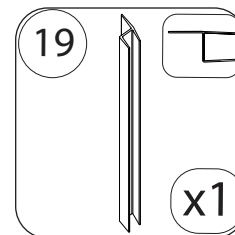
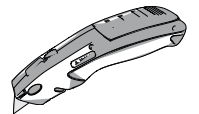


Fig 16

Parts Needed



Tools Needed



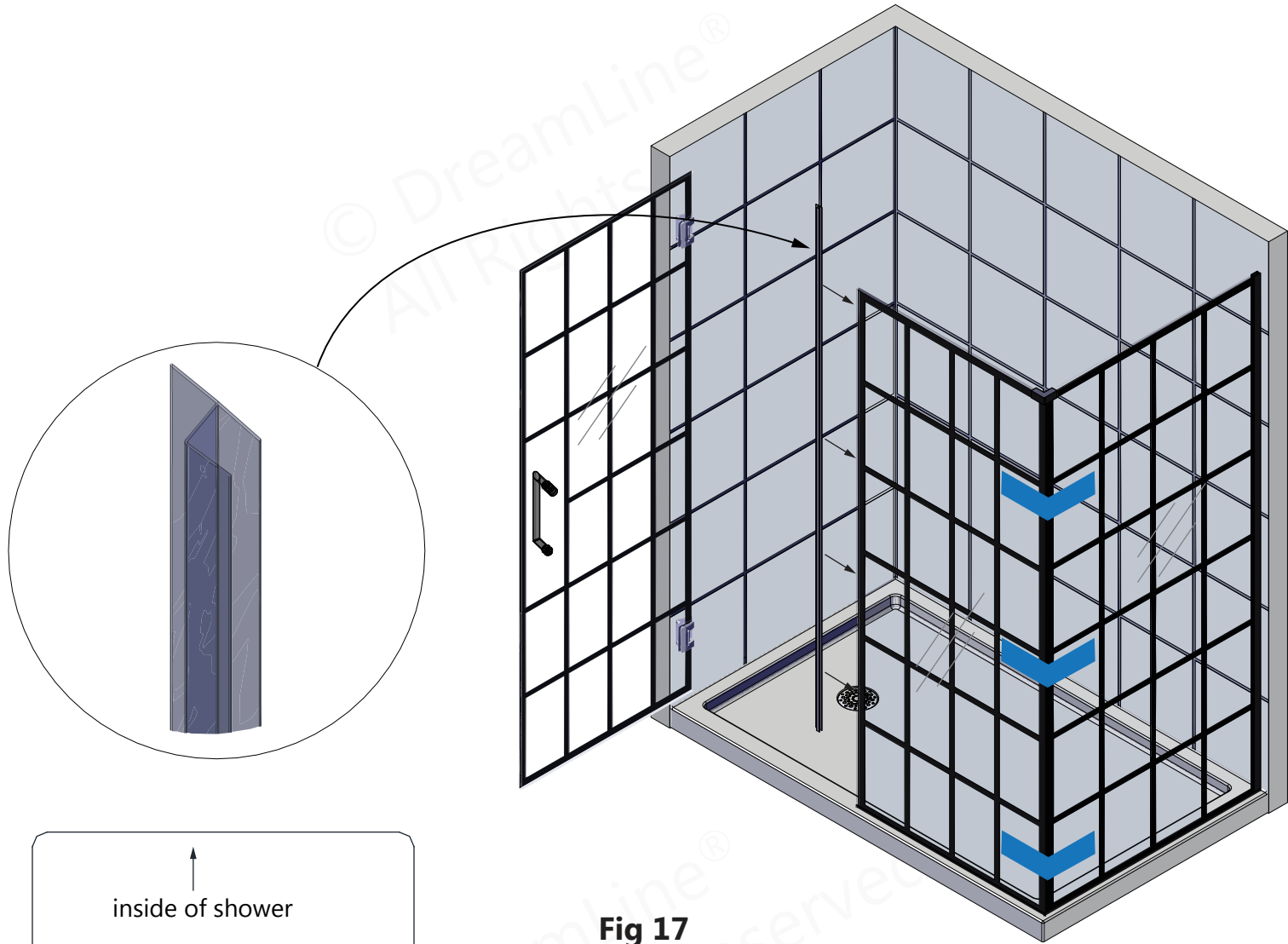
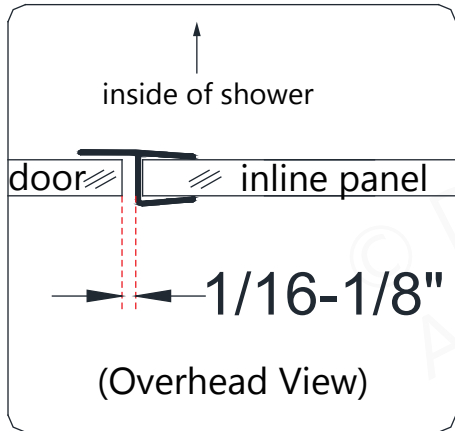
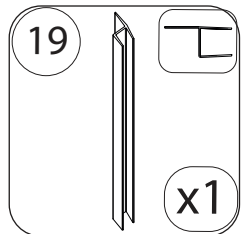


Fig 17



Parts Needed



19

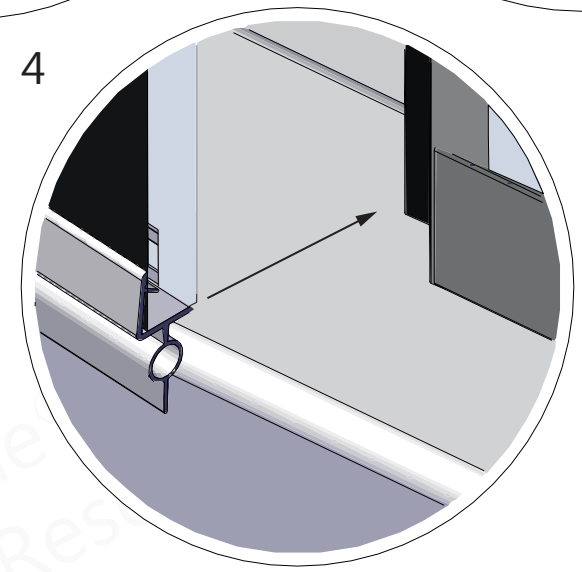
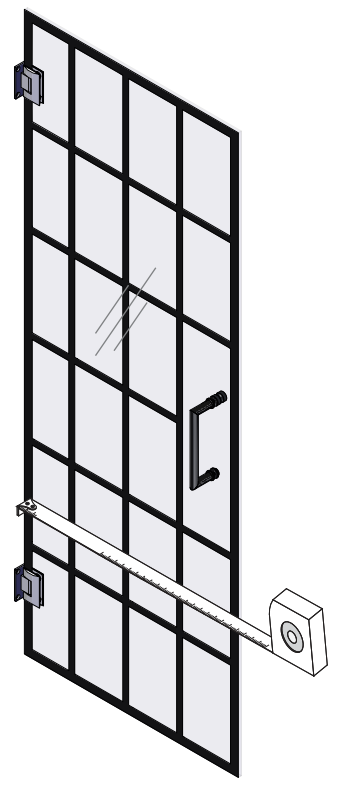
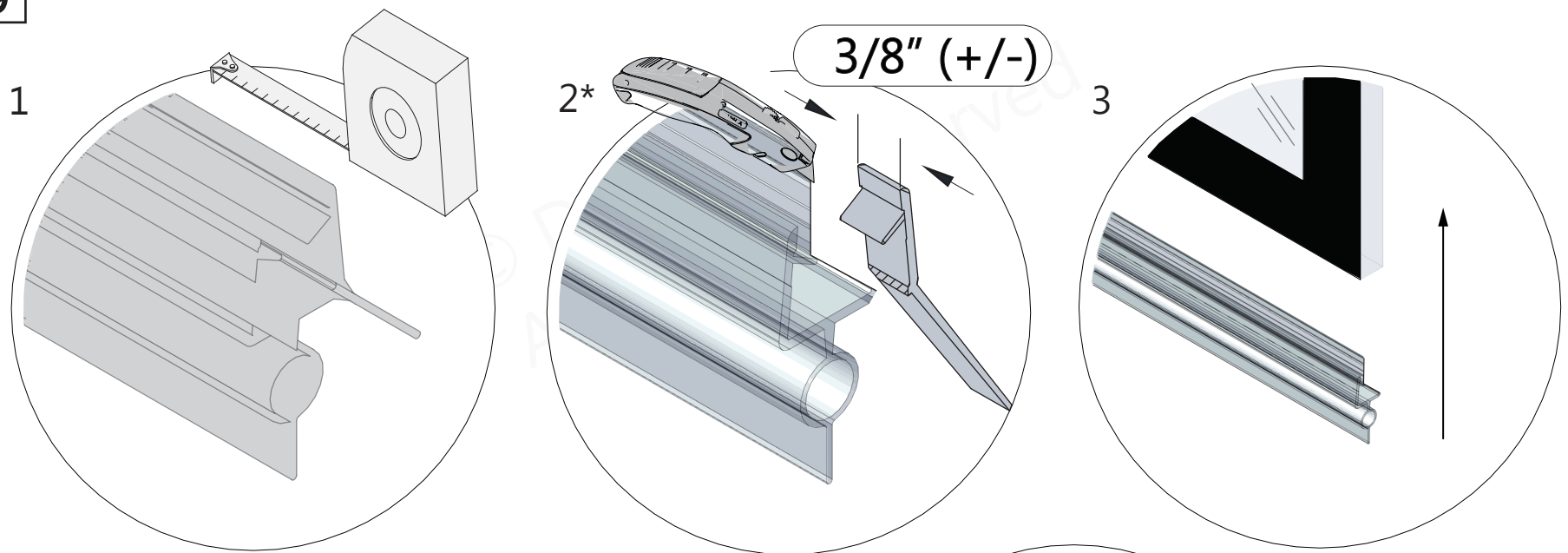
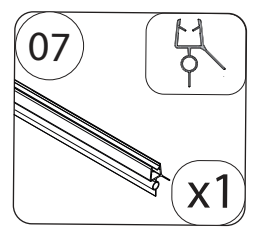
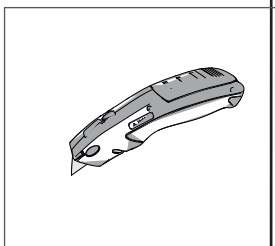


Fig 18

Parts Needed



Tools Needed



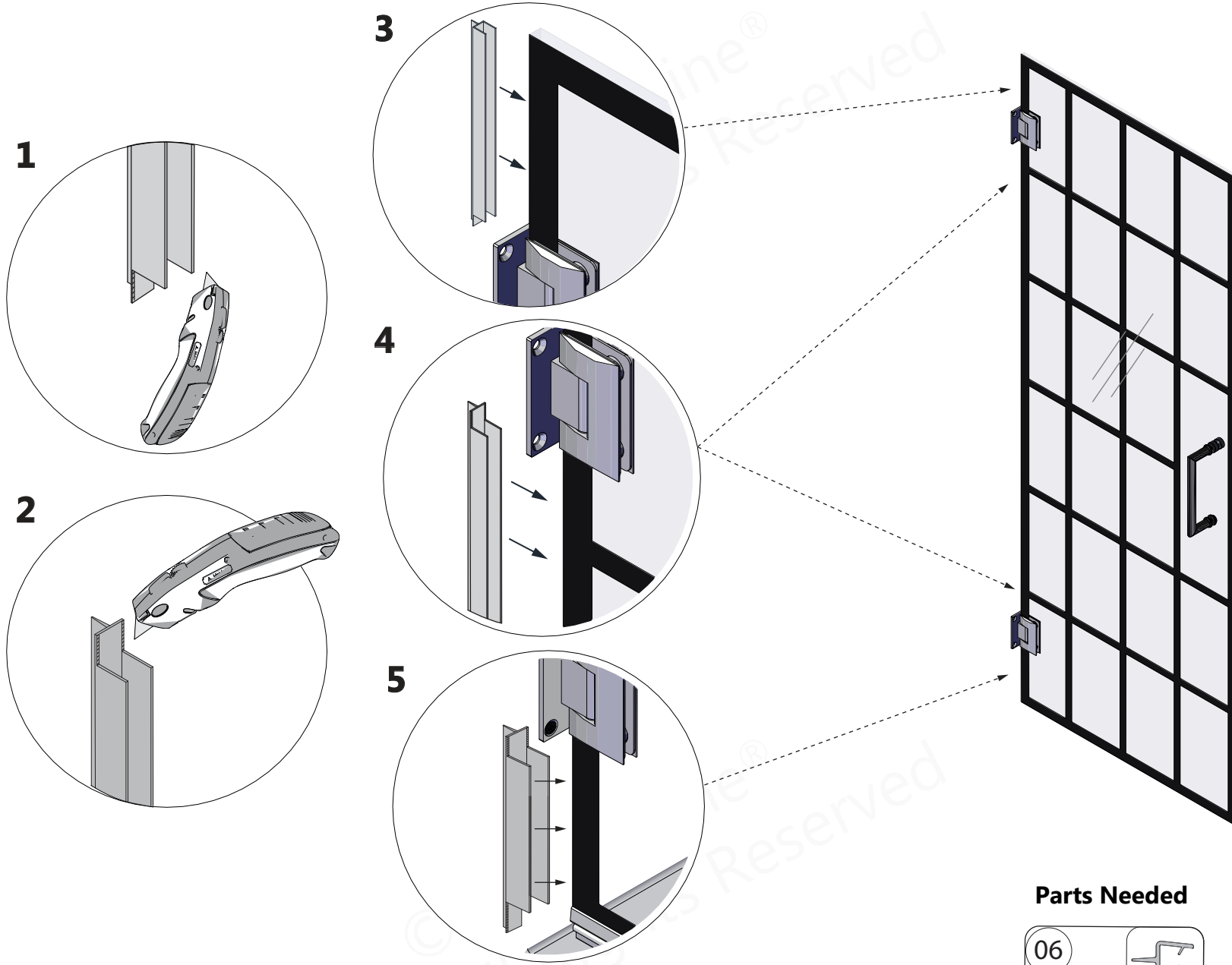
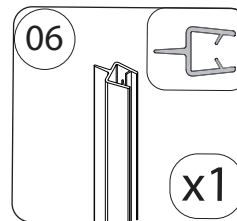
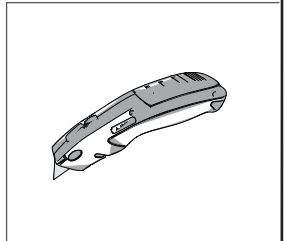


Fig 19

Parts Needed



Tools Needed



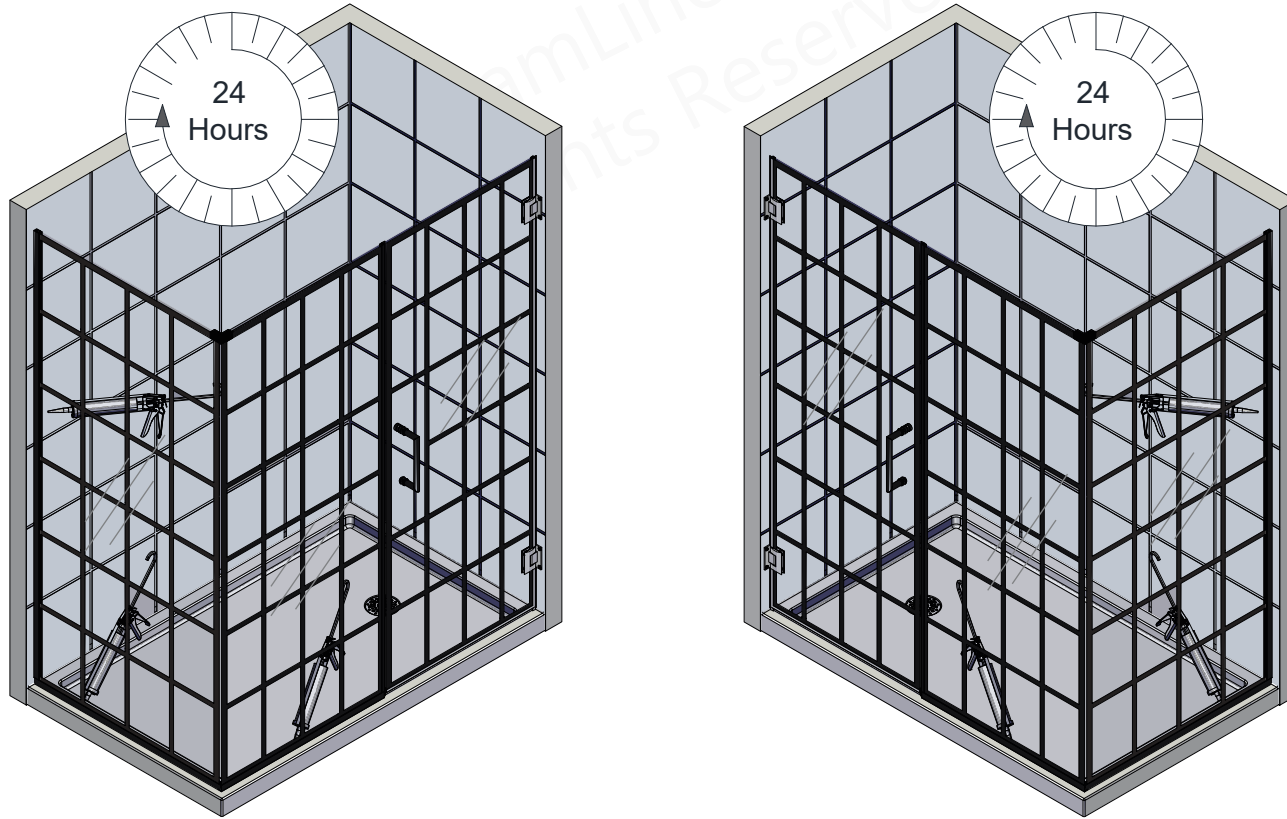


Fig 20



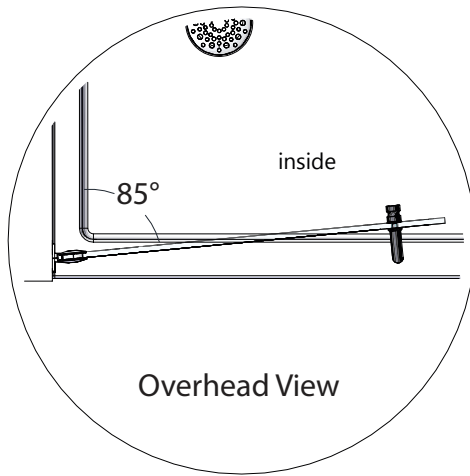
**Surfaces must be clean and free of debris before applying silicone. Allow 24 hours for the silicone to cure before using the shower.**

**Tools Needed**

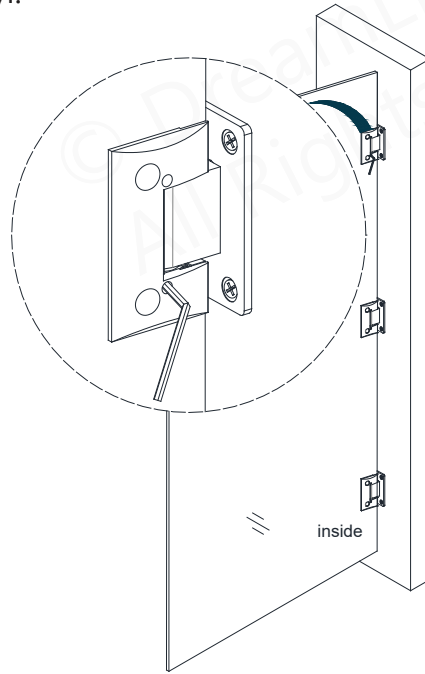


## Setting the Adjustable Hinges

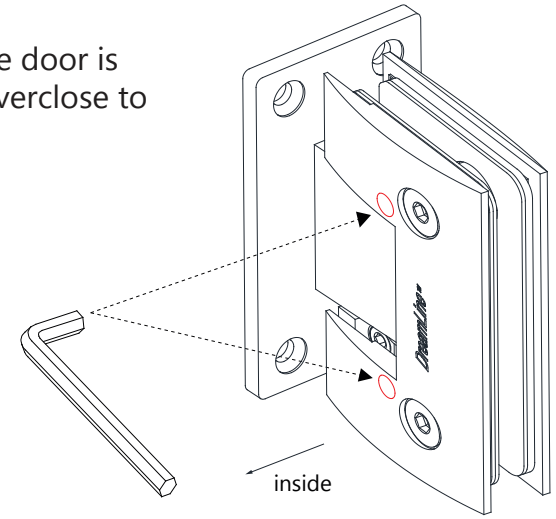
**1)** The adjustable hinges are pre-set to overclose to 85° and are adjustable up to 90° after the door is installed. (Strike vinyl must be used when the hinges are set to overclose). Set the hinges to overclose to create a tight seal with the strike vinyl.



**Fig 1a**



**Fig 1b**



**Fig 1c**

**2)** The hinges are factory set to close at 85° (**Fig 1a**). The closing angle can be changed by using the adjustment screws on the hinge faceplate.

**3)** Use the supplied Allen key to loosen the adjustment screws on the inside faceplates (**Fig 1b**), adjust the door to the desired closing angle (90° for example), then re-tighten the adjustment screws (**Fig 1b**). Be sure to create a tight seal with the strike vinyl when the door is in the closed position.



The strike vinyl must be removed to properly adjust the hinges. Reinstall the strike vinyl after adjusting the hinges

### Tools Needed



## Product Maintenance

**BASES and BACKWALLS:** To ensure long-lasting life for your acrylic back walls, wipe them off after each use with a soft cloth. To clean the acrylic back walls use non-abrasive sprays or cream based cleaners. Avoid the use of aerosol spray cleaners. Never use abrasive cleansers, metal brushes or scrapers that could scratch or dull the surface.

**GLASS:** To ensure long-lasting life for your glass shower products, wipe them off after each use with a soft cloth. Rinse and wipe off the glass using either a soft cloth or a squeegee to prevent soap buildup and water spots (Hard water can etch the surface of the glass over time if left to dry). To prevent scratching the surface: never use abrasive cleaners or cleaning products that contain scouring agents. Never use bristle brushes or abrasive sponges that may scratch the surface.

**HARDWARE:** To ensure a long-lasting finish, wipe off the metal parts after each use with a soft cloth. Do not use abrasive cleaners or cleaning products containing ammonia, bleach or acid. If accidentally used, rinse the surface as soon as possible to prevent damage to the finish (peeling or corrosion). After cleaning the polished finishes, rinse thoroughly and wipe dry with a soft cloth.

Clean stainless steel surfaces at least once a week. When applying stainless steel cleaner or polish to stainless steel hardware, work with (not across) the grain. Never use an abrasive sponge or cloth, steel wool or wired brush as these may permanently scratch the surfaces.

**NOTE: To maximize the life of your door, it is important to regularly inspect the glass and all hardware for misalignment, proper attachment, and/or damage. Contact DreamLine® with any questions or concerns.**

**DreamLine® shower doors and enclosures are designed not to leak when installed properly and the flow of water is not pointed directly at the wall-mounted hinges or vinyl seals.**

## Maintenance Checklist

### Unidoor Toulon Shower Enclosure

- **Inspect alignment: Check for loose parts and tighten if necessary**
- **Replace missing or damaged vinyl seals**
- **Inspect glass regularly. Damaged glass should be replaced immediately**
- **Inspect and replace silicone as necessary**

# Troubleshooting

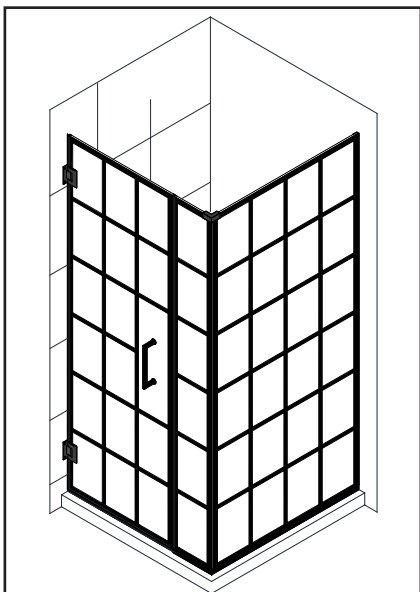
<p>Door not closing completely</p>	<p>Check that all vinyl seals are installed correctly. Check that the hinges are adjusted correctly. (See page 37 regarding the hinge adjustment procedures)</p>
<p>Door does not close flush with the inline panel glass</p>	<p>Check that the hinges are properly adjusted. (See page 37 regarding the hinge adjustment procedures) Check that the door and panel glass are properly aligned and that there is even clearance between the door and inline panel. Check that all vinyl seals are installed correctly.</p>
<p>Clearance between door and panel is uneven</p>	<p>Check that both hinges are gripping the glass tightly. See pages 15-20 to reinstall the door glass for proper clearance if necessary. Confirm that the hinges are tight to the wall. This door requires that the hinges be installed into wood reinforcement behind the finished wall.</p>
<p>Sweep vinyl binds on threshold</p>	<p>Be sure the door glass is installed at the correct height. Proper installation requires 5/8" clearance beneath the door glass. check that the sweep vinyl is installed correctly. Check the threshold for level. This door requires a level threshold for proper installation.</p>
<p>Water leaking</p>	<p>Inspect that all vinyl seals are properly installed. Replace any damaged or missing vinyl seals. Direct shower flow away from the area. Confirm that threshold is not pitched out. Inspect and replace silicone as necessary.</p>



Prior to contacting DreamLine® Customer Service, please have the following information readily available:

- Purchase Order Information
  - Name, PO Number, Dealer/Vendor Name, etc.
- SKU/Model Number (see pages 4-8)
- Factory Part Information (see pages 40-44)

## Factory Parts Information



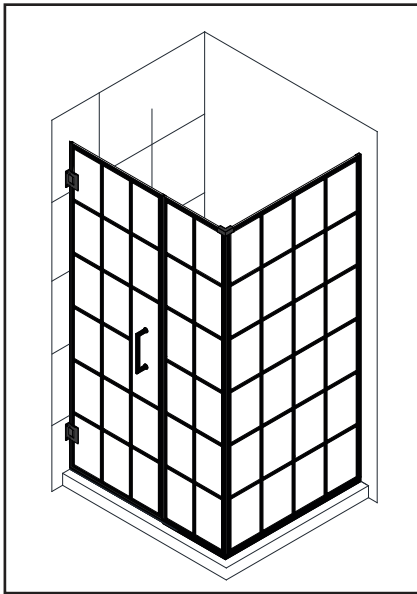
**UNIDOOR TOULON  
ENCLOSURE  
34 x 34 x 72  
SHEN-2434340-89**

Right-side return panel  
installation shown  
as an example

UNIDOOR TOULON ENCLOSURE 34x34x72 SHEN-2434340-89		FACTORY PARTS INFORMATION	
ITEM #	FACTORY PART NUMBER	ITEM DESCRIPTION	QTY
01	010137142	Door Glass	1 pc
02	07229041	Single Sided 8" Tubular Handle with Knob for 10mm (3/8in) Glass	1 pc
04	092112	ST5 x 70mm Countersunk Screw	8 pcs
05	07419027	Paris 90 Degree Glass-to-Wall Adj Hinge Assembly for 10mm (3/8in) Glass	2 pcs
06	063011102-1829	Hinge Side Vinyl Seal for 10mm (3/8in) Glass	1 pc
07	063015102-0747	Bottom Sweep Vinyl for 10mm (3/8in) Glass	1 pc
09	04154091-1854	U-Channel 1" Aluminum for 10mm (3/8in) Glass	1 pc
11a	010137143	Inline Panel Glass	1 pc
11b	010137147	Inline/Return Panel Glass w/Toulon Pattern	1 pc
13	07550045	Wall Anchor 8mm 8mm (5/16in)	12 pcs
19	063010102-1829	180 degree Inline Strike Vinyl for 10mm (3/8in) Glass	1 pc
23	092108	ST4.2 x 40mm Countersunk Screw	12 pcs
29a/29b	04154091-0914	U-Channel 1" Aluminum for 10mm (3/8in) Glass	2 pcs
30	07019101	90deg top corner bracket for 10mm (3/8in) glass	1 pc
31	07550079	PVC Hinge Spacer 1mm	2 pcs
31	07550080	PVC Hinge Spacer 2mm	1 pc
31	07550081	PVC Hinge Spacer 3mm	1 pc
34	07550083	PVC Glass Spacer 0.5mm	1 pc
---	098003	Allen Wrench 3mm	1pc
---	098004	Allen Wrench 4mm	1pc
---	07559097	Decorative Cap for M6 Hex bolt	4 pcs

Contact [Support@DreamLine.com](mailto:Support@DreamLine.com) for Part replacement, installation assistance or additional information.  
Complete **Warranty** information is available on [DreamLine.com](http://DreamLine.com).

## Factory Parts Information



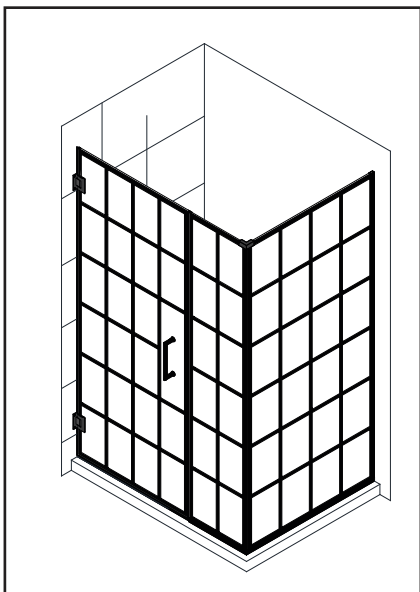
**UNIDOOR TOULON  
ENCLOSURE  
40 x 34 x 72  
SHEN-2434400-89**

Right-side return panel  
installation shown  
as an example

UNIDOOR TOULON ENCLOSURE 40x34x72 SHEN-2434400-89		FACTORY PARTS INFORMATION	
ITEM #	FACTORY PART NUMBER	ITEM DESCRIPTION	QTY
01	010137144	Door Glass	1 pc
02	07229041	Single Sided 8" Tubular Handle with Knob for 10mm (3/8in) Glass	1 pc
04	092112	ST5 x 70mm Countersunk Screw	8 pcs
05	07419027	Paris 90 Degree Glass-to-Wall Adj Hinge Assembly for 10mm (3/8in) Glass	2 pcs
06	063011102-1829	Hinge Side Vinyl Seal for 10mm (3/8in) Glass	1 pc
07	063015102-0747	Bottom Sweep Vinyl for 10mm (3/8in) Glass	1 pc
09	04154091-1854	U-Channel 1" Aluminum for 10mm (3/8in) Glass	1 pc
11a	010137145	Inline Panel Glass	1 pc
11b	010137147	Inline/Return Panel Glass w/Toulon Pattern	1 pc
13	07550045	Wall Anchor 8mm 8mm (5/16in)	12 pcs
19	063010102-1829	180 degree Inline Strike Vinyl for 10mm (3/8in) Glass	1 pc
23	092108	ST4.2 x 40mm Countersunk Screw	12 pcs
29a/29b	04154091-0914	U-Channel 1" Aluminum for 10mm (3/8in) Glass	2 pcs
30	07019101	90deg top corner bracket for 10mm (3/8in) glass	1 pc
31	07550079	PVC Hinge Spacer 1mm	2 pcs
31	07550080	PVC Hinge Spacer 2mm	1 pc
31	07550081	PVC Hinge Spacer 3mm	1 pc
34	07550083	PVC Glass Spacer 0.5mm	1 pc
---	098003	Allen Wrench 3mm	1pc
---	098004	Allen Wrench 4mm	1pc
---	07559097	Decorative Cap for M6 Hex bolt	4 pcs

Contact **Support@DreamLine.com** for Part replacement, installation assistance or additional information.  
Complete **Warranty** information is available on **DreamLine.com**.

## Factory Parts Information



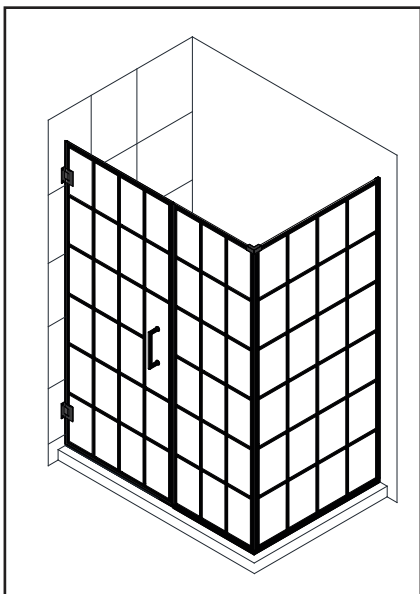
**UNIDOOR TOULON  
ENCLOSURE  
46 x 34 x 72  
SHEN-2434460-89**

Right-side return panel installation shown as an example

UNIDOOR TOULON ENCLOSURE 46x34x72 SHEN-2434460-89		FACTORY PARTS INFORMATION	
ITEM #	FACTORY PART NUMBER	ITEM DESCRIPTION	QTY
01	010137140	Door Glass	1 pc
02	07229041	Single Sided 8" Tubular Handle with Knob for 10mm (3/8in) Glass	1 pc
04	092112	ST5 x 70mm Countersunk Screw	8 pcs
05	07419027	Paris 90 Degree Glass-to-Wall Adj Hinge Assembly for 10mm (3/8in) Glass	2 pcs
06	063011102-1829	Hinge Side Vinyl Seal for 10mm (3/8in) Glass	1 pc
07	063015102-0747	Bottom Sweep Vinyl for 10mm (3/8in) Glass	1 pc
09	04154091-1854	U-Channel 1" Aluminum for 10mm (3/8in) Glass	1 pc
11a	010137141	Inline Panel Glass	1 pc
11b	010137147	Inline/Return Panel Glass w/Toulon Pattern	1 pc
13	07550045	Wall Anchor 8mm 8mm (5/16in)	12 pcs
19	063010102-1829	180 degree Inline Strike Vinyl for 10mm (3/8in) Glass	1 pc
23	092108	ST4.2 x 40mm Countersunk Screw	12 pcs
29a/29b	04154091-0914	U-Channel 1" Aluminum for 10mm (3/8in) Glass	2 pcs
30	07019101	90deg top corner bracket for 10mm (3/8in) glass	1 pc
31	07550079	PVC Hinge Spacer 1mm	2 pcs
31	07550080	PVC Hinge Spacer 2mm	1 pc
31	07550081	PVC Hinge Spacer 3mm	1 pc
34	07550083	PVC Glass Spacer 0.5mm	1 pc
---	098003	Allen Wrench 3mm	1pc
---	098004	Allen Wrench 4mm	1pc
---	07559097	Decorative Cap for M6 Hex bolt	4 pcs

Contact **Support@DreamLine.com** for Part replacement, installation assistance or additional information.  
Complete **Warranty** information is available on **DreamLine.com**.

## Factory Parts Information



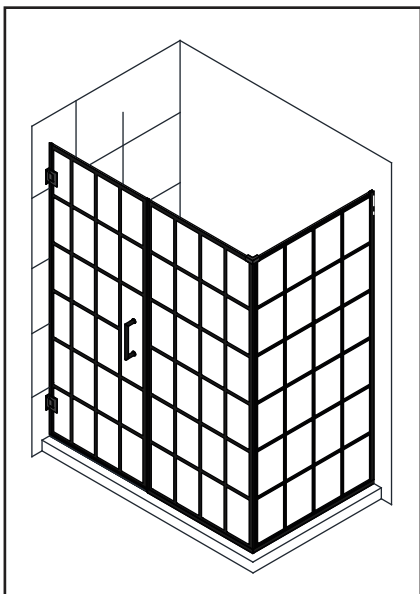
### UNIDOOR TOULON ENCLOSURE 52 x 34 x 72 SHEN-2434520-89

Right-side return panel  
installation shown  
as an example

UNIDOOR TOULON ENCLOSURE 52x34x72 SHEN-2434520-89		FACTORY PARTS INFORMATION	
ITEM #	FACTORY PART NUMBER	ITEM DESCRIPTION	QTY
01	010137139	Door Glass	1 pc
02	07229041	Single Sided 8" Tubular Handle with Knob for 10mm (3/8in) Glass	1 pc
04	092112	ST5 x 70mm Countersunk Screw	8 pcs
05	07419027	Paris 90 Degree Glass-to-Wall Adj Hinge Assembly for 10mm (3/8in) Glass	2 pcs
06	063011102-1829	Hinge Side Vinyl Seal for 10mm (3/8in) Glass	1 pc
07	063015102-0747	Bottom Sweep Vinyl for 10mm (3/8in) Glass	1 pc
09	04154091-1854	U-Channel 1" Aluminum for 10mm (3/8in) Glass	1 pc
11a	010137138	Inline Panel Glass	1 pc
11b	010137147	Inline/Return Panel Glass w/Toulon Pattern	1 pc
13	07550045	Wall Anchor 8mm 8mm (5/16in)	12 pcs
19	063010102-1829	180 degree Inline Strike Vinyl for 10mm (3/8in) Glass	1 pc
23	092108	ST4.2 x 40mm Countersunk Screw	12 pcs
29a/29b	04154091-0914	U-Channel 1" Aluminum for 10mm (3/8in) Glass	2 pcs
30	07019101	90deg top corner bracket for 10mm (3/8in) glass	1 pc
31	07550079	PVC Hinge Spacer 1mm	2 pcs
31	07550080	PVC Hinge Spacer 2mm	1 pc
31	07550081	PVC Hinge Spacer 3mm	1 pc
34	07550083	PVC Glass Spacer 0.5mm	1 pc
---	098003	Allen Wrench 3mm	1pc
---	098004	Allen Wrench 4mm	1pc
---	07559097	Decorative Cap for M6 Hex bolt	4 pcs

Contact [Support@DreamLine.com](mailto:Support@DreamLine.com) for Part replacement, installation assistance or additional information.  
Complete **Warranty** information is available on [DreamLine.com](http://DreamLine.com).

## Factory Parts Information



### UNIDOOR TOULON ENCLOSURE

**58 x 34 x 72**

**SHEN-2434580-89**

Right-side return panel  
installation shown  
as an example

UNIDOOR TOULON ENCLOSURE 58x34x72 SHEN-2434580-89		FACTORY PARTS INFORMATION	
ITEM #	FACTORY PART NUMBER	ITEM DESCRIPTION	QTY
01	010137126	Door Glass	1 pc
02	07229041	Single Sided 8" Tubular Handle with Knob for 10mm (3/8in) Glass	1 pc
04	092112	ST5 x 70mm Countersunk Screw	8 pcs
05	07419027	Paris 90 Degree Glass-to-Wall Adj Hinge Assembly for 10mm (3/8in) Glass	2 pcs
06	063011102-1829	Hinge Side Vinyl Seal for 10mm (3/8in) Glass	1 pc
07	063015102-0747	Bottom Sweep Vinyl for 10mm (3/8in) Glass	1 pc
09	04154091-1854	U-Channel 1" Aluminum for 10mm (3/8in) Glass	1 pc
11a	010137125	Inline Panel Glass	1 pc
11b	010137147	Inline/Return Panel Glass w/Toulon Pattern	1 pc
13	07550045	Wall Anchor 8mm 8mm (5/16in)	12 pcs
19	063010102-1829	180 degree Inline Strike Vinyl for 10mm (3/8in) Glass	1 pc
23	092108	ST4.2 x 40mm Countersunk Screw	12 pcs
29a/29b	04154091-0914	U-Channel 1" Aluminum for 10mm (3/8in) Glass	2 pcs
30	07019101	90deg top corner bracket for 10mm (3/8in) glass	1 pc
31	07550079	PVC Hinge Spacer 1mm	2 pcs
31	07550080	PVC Hinge Spacer 2mm	1 pc
31	07550081	PVC Hinge Spacer 3mm	1 pc
34	07550083	PVC Glass Spacer 0.5mm	1 pc
---	098003	Allen Wrench 3mm	1pc
---	098004	Allen Wrench 4mm	1pc
---	07559097	Decorative Cap for M6 Hex bolt	4 pcs

Contact [Support@DreamLine.com](mailto:Support@DreamLine.com) for Part replacement, installation assistance or additional information.

Complete **Warranty** information is available on [DreamLine.com](http://DreamLine.com).



---

TEL: 866-731-2244  
FAX: 866-857-3638  
DREAMLINE.COM



For more information on DreamLine® Shower Doors and Enclosures please visit **DreamLine.com**