

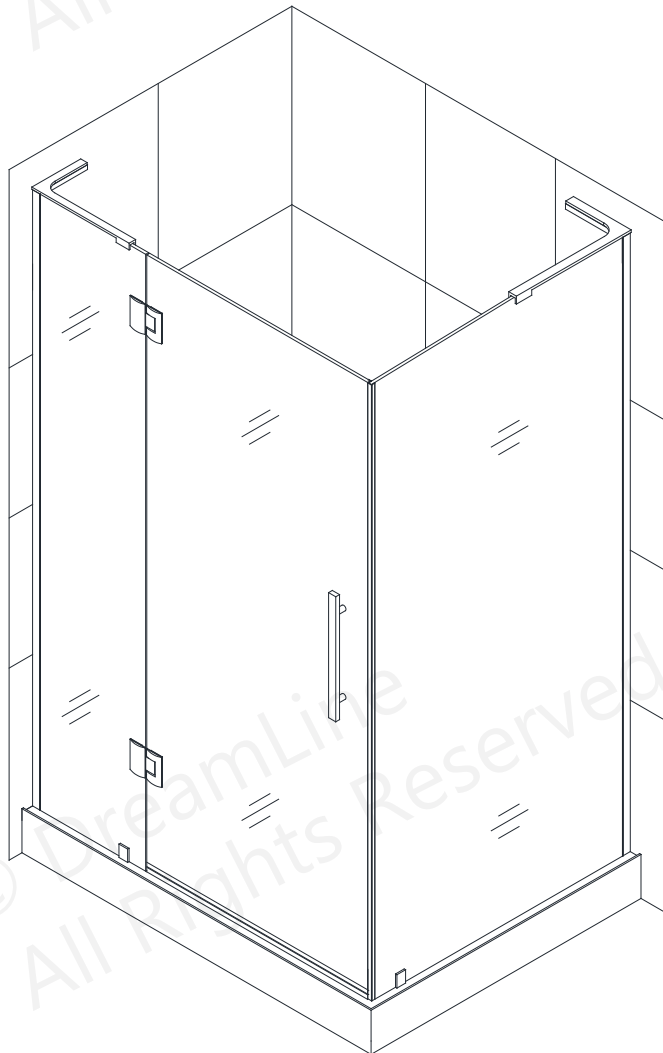


QUATRA PLUS

SHOWER ENCLOSURE INSTALLATION INSTRUCTIONS

IMPORTANT

DreamLine® reserves the right to alter, modify or redesign products at any time without prior notice for the purpose of product improvement and customer experience. Please refer to the model's web page on **DreamLine.com** for the latest technical drawings, installation manuals, warranty information or additional product details.



MODEL #s

SHEN-1432460-##
SHEN-1434460-##
SHEN-1434520-##
SHEN-1434580-##

##=finish

01- Chrome

04- Brushed Nickel

06- Oil Rubbed Bronze

09- Satin Black

Right-Hand return panel installation shown

PLEASE REVIEW THIS ENTIRE MANUAL PRIOR TO INSTALLATION



Questions?

Please Call **DreamLine Customer Support: 1-855-831-2126**
Hours of Operation M-F 8AM - 7PM EST and Saturday 9AM - 5PM EST

Support@DreamLine.com



For more information about DreamLine® Shower Doors, Tub Doors & Enclosures, please visit **DreamLine.com**



This model is treated with DreamLine's exclusive ClearMax™ Glass technology. This is a specially formulated coating that prevents the buildup of soap and water spots.

Install the surface with the ClearMax™ label towards the inside of the shower. Please note that depending on the model, the glass may be coated on either one or both surfaces.

For best results, squeegee the glass after each use and dry with a soft cloth.



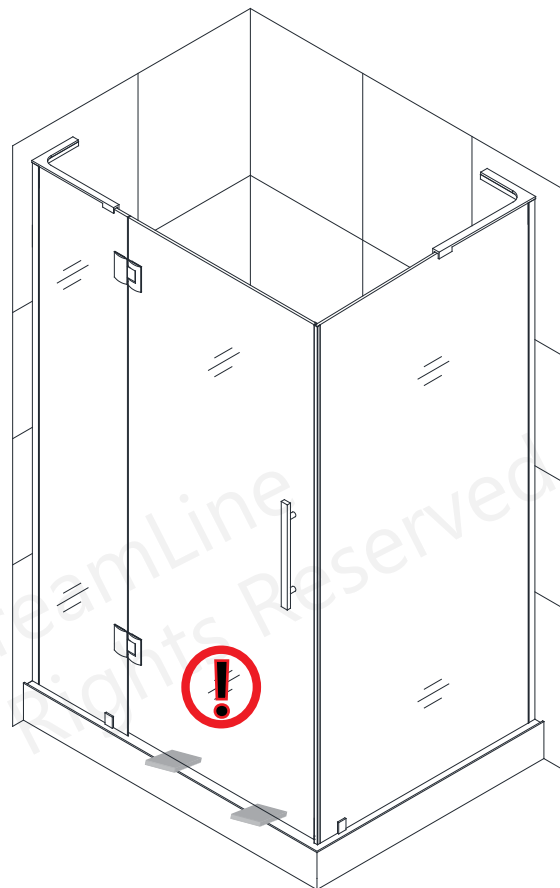
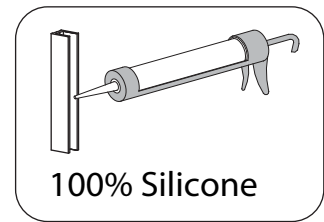
This product should be installed by someone familiar with the construction requirements for this type of project and the care necessary for the safe installation and operation of the product.



The hinge panel glass must be properly installed and secured to support the weight of the door glass. Failure to follow these steps may result in the hinge panel glass pulling out of the U-Channel.

IMPORTANT STEPS TO FOLLOW:

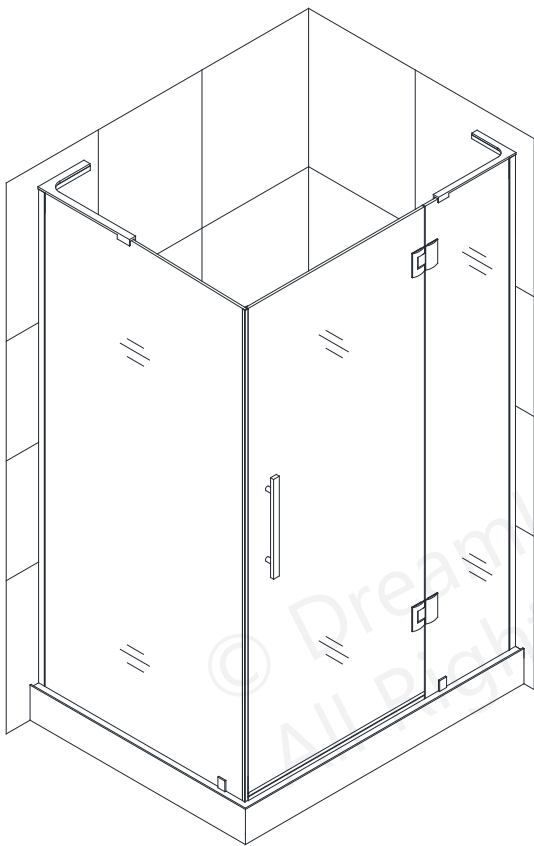
- Use 100% silicone caulk - a quick-drying or fast-curing silicone is recommended for the installation of hinge panel glass into the U-Channel
- Apply enough silicone into the U-Channels to secure the panel glass
- Fully tighten the L-Bars™ on the Hinge Panel Glass and the Buttress Return Panel
- DO NOT remove the spacers or shims from beneath the door glass for at least 24 hours to allow the silicone to fully cure in the U-Channel holding the hinge panel glass**
- The hinge panel glass for this model should not be adjusted more than 1/4" within the U-Channel for an out-of-plumb wall condition**
- Refer to the product installation manual for more details



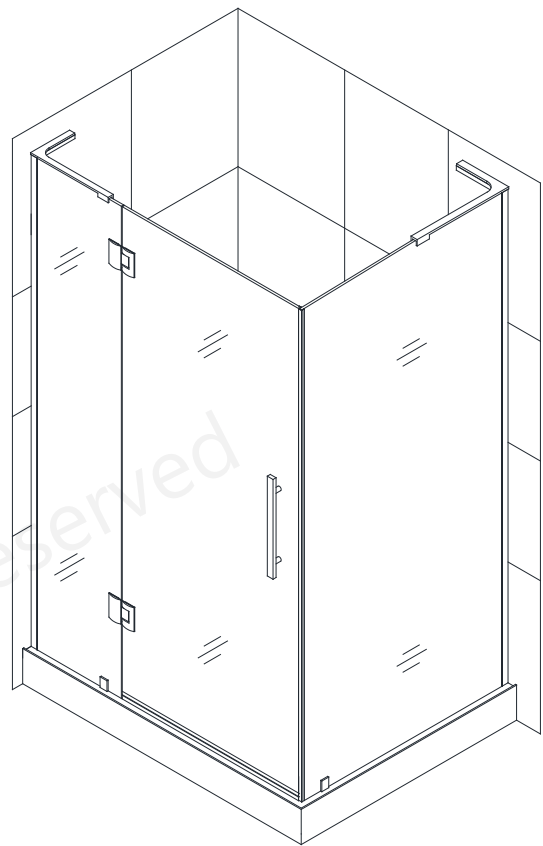
NOTE: Leave spacers or shims in place beneath the door glass for 24 hours. If time allows, delay installing the door glass onto the hinge panel glass for 24 hours until the silicone securing the hinge panel glass has fully cured.

Table of Contents

Section title	Page #
Preparation	3
Tools	4
Detailed Diagram of Shower Door Components	5
Parts List	6
Installation Steps	7-17
L-Bar™ Installation	11-12
Vinyl Seals	15
Product maintenance	19



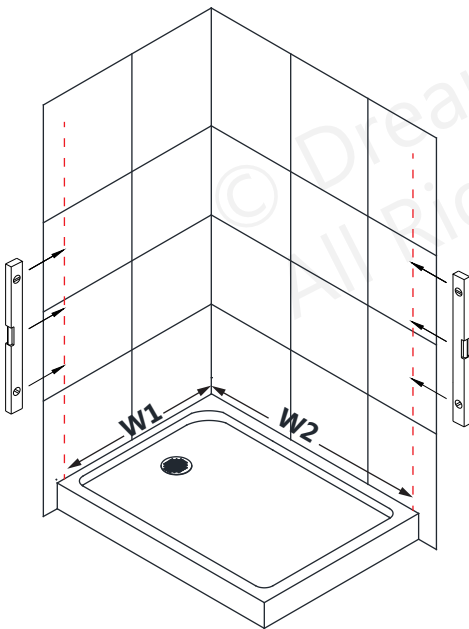
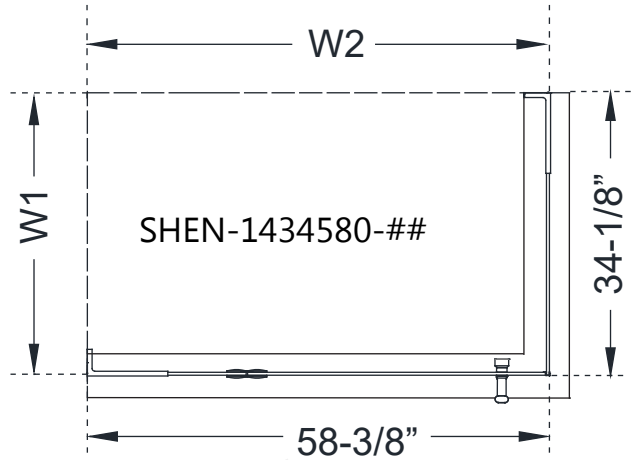
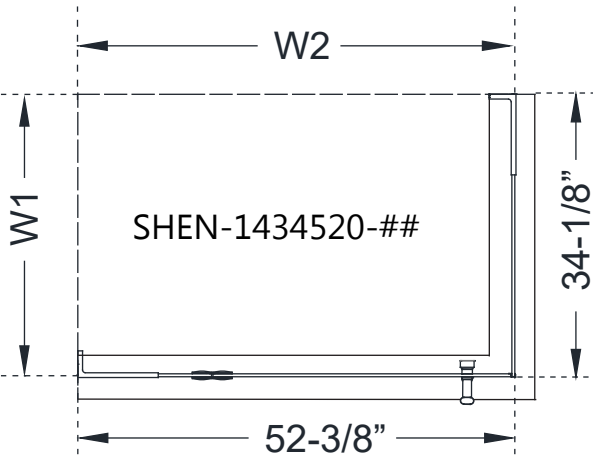
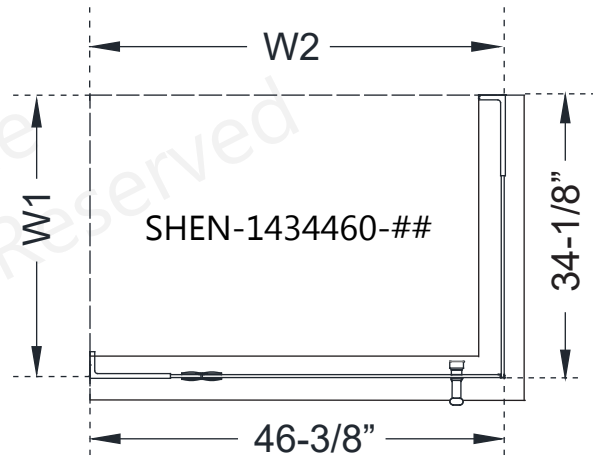
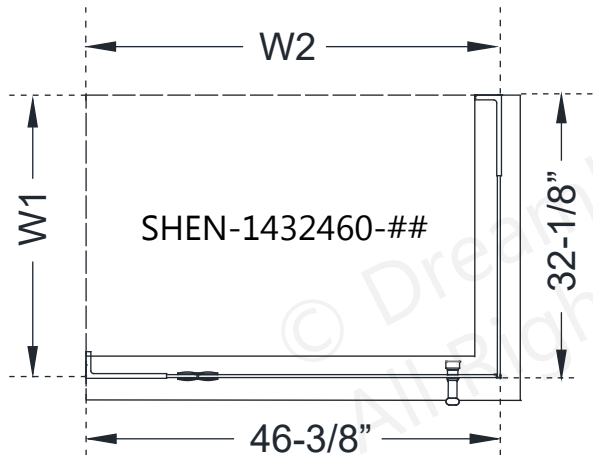
Left-Hand return panel installation



Right-Hand return panel installation

NOTE: This door is reversible for left or right-hand return panel installation. The right-hand return panel installation is shown as an example throughout this manual. For the left-hand return panel installation, simply begin on the opposite wall and reverse the orientation of the steps shown.

Enclosure Diagram



All drawings in this manual are for illustrative purposes only and are not drawn to scale.

Preparation

1. Prior to installation, examine all boxes and packages for shipping damage and compare the piece count with the packing slip. After opening all boxes and packages read this introduction carefully. Check that all of the necessary parts are included in the package by checking off the components on the "Detailed Diagram of Shower Door Components". If the unit has been damaged, has a finishing defect, or has missing parts, please contact our customer support department within **3 business days** of the delivery date. **Please note that DreamLine® will not replace any damaged products or missing parts free of charge after 3 business days or if the product has been installed.** Contact DreamLine® if you have any questions, and please provide an order number, job name or other proof of purchase to help identify the original order.
2. **Please note that you should consult your local building codes with questions on installation compliance standards. Building and plumbing codes may vary by location, and DreamLine® is not responsible for code compliance standards for your project and will not accept any returns.**
3. If this unit is going to be installed in a new construction, please install all of the required plumbing and drainage before installing the shower. Use a competent and licensed (if required by local code) plumber for all plumbing installation
4. Make sure that prior to beginning the installation, the surfaces are leveled and solid and will be able to support the total weight of the unit. Also make sure the walls are at right angles. Irregular installation surface level, radius corners or improper angle of side walls will result in serious problems for your installation. Note that some adjustments and drilling will be necessary during the installation process.
5. Protect all primary surfaces of the product during installation. Never set the glass down directly onto a tile floor. Leave corner protectors in place until necessary to remove them. Always use a piece of wood or cardboard to protect the bottom edge and corners of the glass prior to and during installation.
6. This unit must be installed upon a finished threshold and against finished walls.
7. **This model has 1/4" of adjustment for out-of-plumb wall conditions within the U-channels. Verify that the walls are within this tolerance before proceeding with the installation.**
8. **This model requires that you drill into the threshold for proper installation. Contact the manufacturer of the base or threshold material with any questions regarding the drilling of holes into their product.**
9. **Threshold must be level for proper installation.**
10. **This model requires a minimum of 1-1/2" of flat, level threshold space for installation.**
11. **Professional installation recommended.**



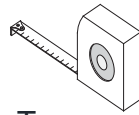
NOTE: DO NOT attach the handle to the door glass or the towel bar to the panel glass until instructed.

DO NOT use the handle or towel bar to lift the glass during installation. This may result in damage to the glass and/or serious injury. Always use an assistant or a professional grade glass suction cup when handling heavy glass.

Tools



Level



Tape Measure



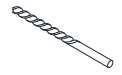
Pencil



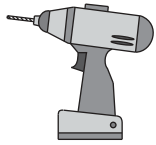
Phillips Screwdriver



Drill bit (Ø5/16") (8mm)



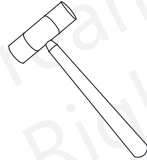
Drill bit (Ø1/8") (3mm)



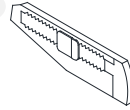
Drill



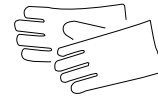
Screw Gun



Soft Head Hammer



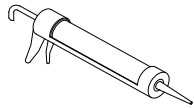
Knife



Work Gloves



Safety glasses



100% Silicone*



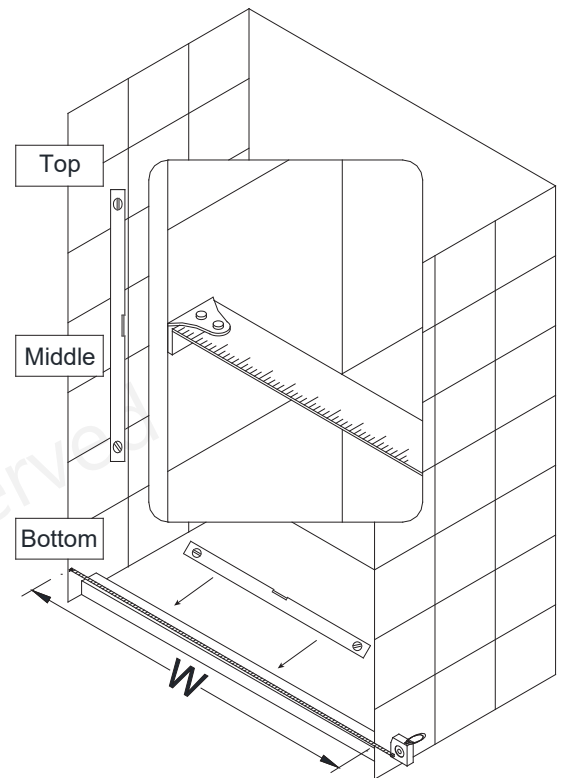
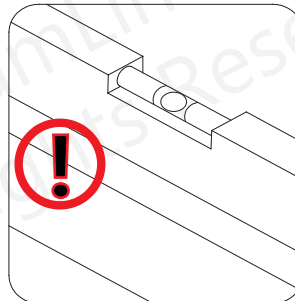
*Quick-drying/fast-curing silicone recommended for the installation of hinge panels.

Tip: Measure the finished opening before proceeding with the installation to be sure that the correct model size has been ordered.

Tip: Prior to installation, cover the shower/tub drain with tape to prevent losing screws or small parts.

Tip: Set screw gun clutch to low setting when installing screws and bolts to prevent stripping the heads.

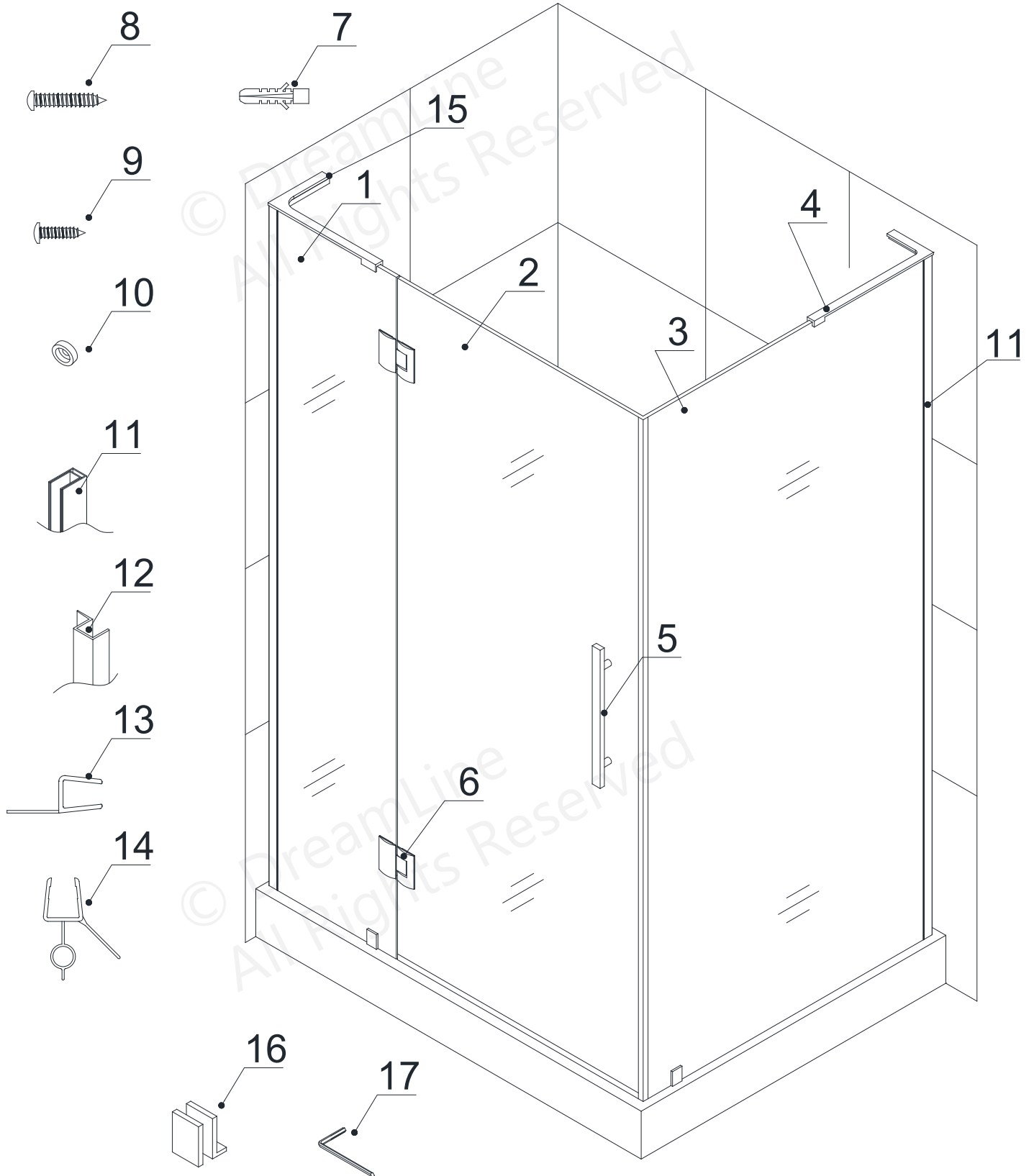
Threshold must be level.



NOTE: Unpack your unit carefully and inspect it. Lay it out and identify all parts using the detailed diagram and parts list in this manual as a reference. Before discarding the carton, check for small hardware bags that may have fallen to the bottom of the box. If any parts are damaged or missing, please contact DreamLine® for replacement. The shipping boxes may contain extra parts not used in your model configuration.

NOTE: Retain these installation instructions for future reference.

Detailed Diagram of Shower Door Components



Parts List

ITEM #	DESCRIPTION	QTY
01	Hinge Panel Glass	1
02	Door Glass	1
03	Return Panel Glass	1
04	Right-Hand L-Bar™	1
05	Handle	1
06	Hinge	2
07	Ø5/16" Wall Anchor	8
08	ST4.2 x 40 Pan Head Screw	8
09	Pan Head Screw ST4.2 x 25	2
10	Decorative Covers and Washers	2
11	Stainless Steel U-Channel	2
12	Strike Vinyl	1
13	Hinge Side Vinyl	1
14	Sweep Vinyl	1
15	Left-Hand L-Bar™	1
16	Bottom Bracket	2
17	Allen Wrench: 2.5mm / 3mm / 4mm	1 set

Installation steps

1. Starting at the bottom, measure from the finished back corner of the opening to the dimensions shown in **TABLE A**. Draw a plumb line up the wall according to the **Glass Box Code** for the Shower Enclosure model size. These lines will represent the outside of the **Stainless Steel U-Channels (#11)**. (**TABLE A**) (**Fig 1**)

TABLE A

Glass Box Code	W1	W2
SHEN-1432460-##	32-1/8"	46-3/8"
SHEN-1434460-##	34-1/8"	46-3/8"
SHEN-1434520-##	34-1/8"	52-3/8"
SHEN-1434580-##	34-1/8"	58-3/8"



NOTE: The Stainless Steel U-Channels (#11) must be installed at the correct dimensions for the model size as indicated in TABLE A, which may not be on the centerline of the threshold.

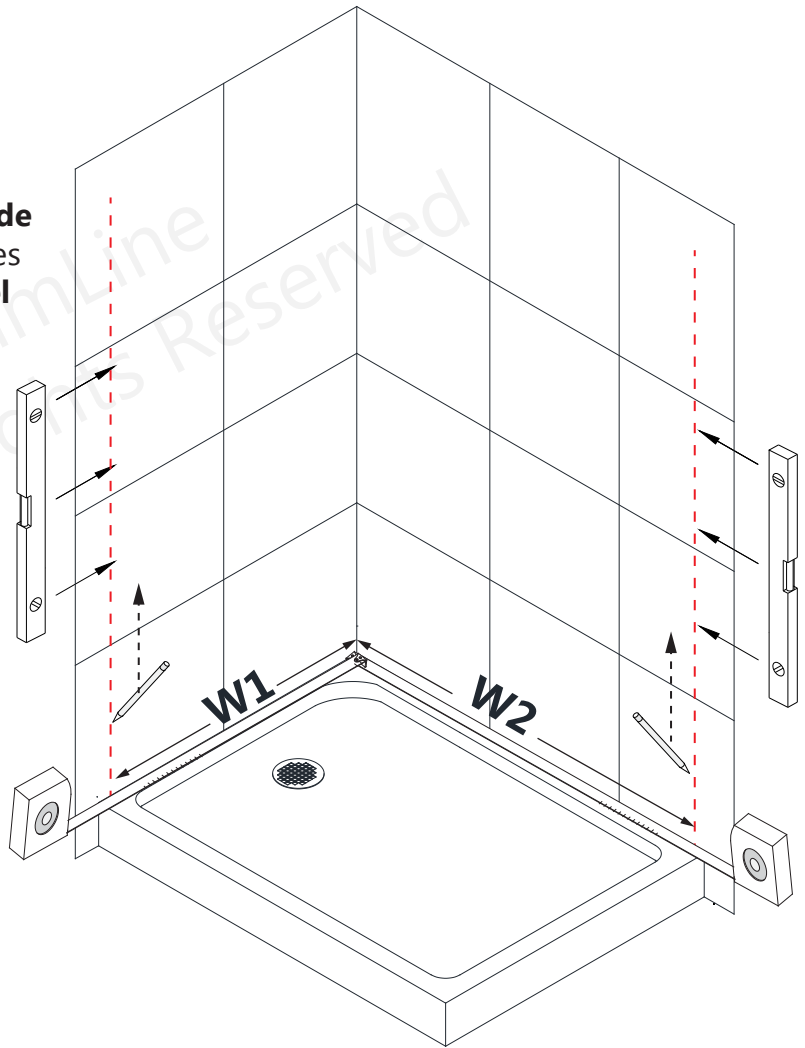


Fig 1

2. Make sure both **Stainless Steel U-Channels (#11)** are absolutely plumb. Mark the position of the **Stainless Steel U-Channels (#11)** on both walls. (**Fig 2**)

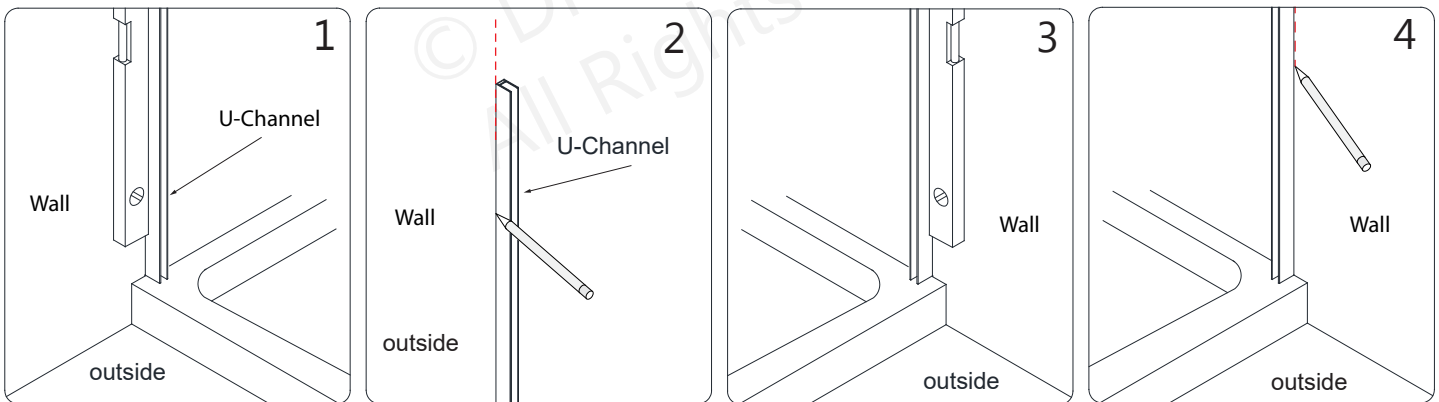


Fig 2

3. Mark the drilling holes on the wall through the predrilled holes in the **Stainless Steel U-Channels (#11)**. Drill the holes in the wall using a **Ø5/16" (8mm)** drill bit and insert the **5/16" Wall Anchors (#07)**. Run a bead of Waterproof silicone along the back of the **Stainless Steel U-Channels (#11)**. Fasten the **Stainless Steel U-Channels (#11)** to the walls using the **Pan Head Screw ST4.2×40 (#08)**. (Fig 3)

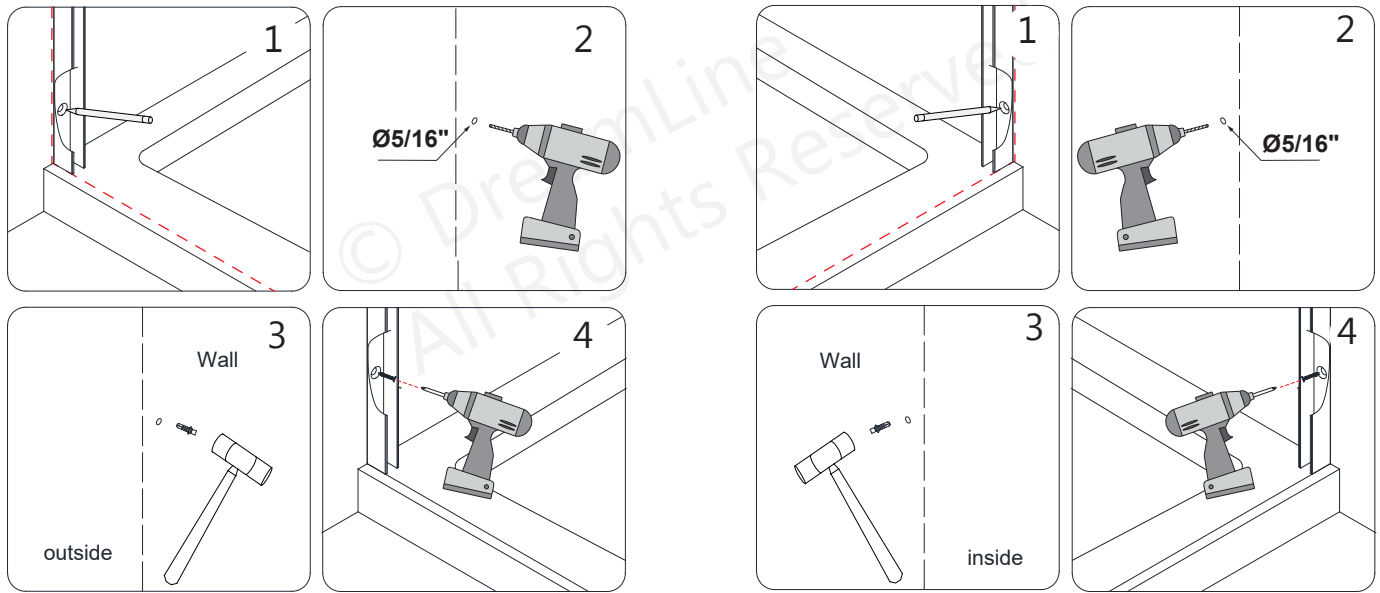


Fig 3

4. Add silicone into the installed **Stainless Steel U-Channels (#11)** before installing the panel glass into the channels. If necessary, tap with a rubber mallet and a block of wood. (Fig 4 and Fig 5)

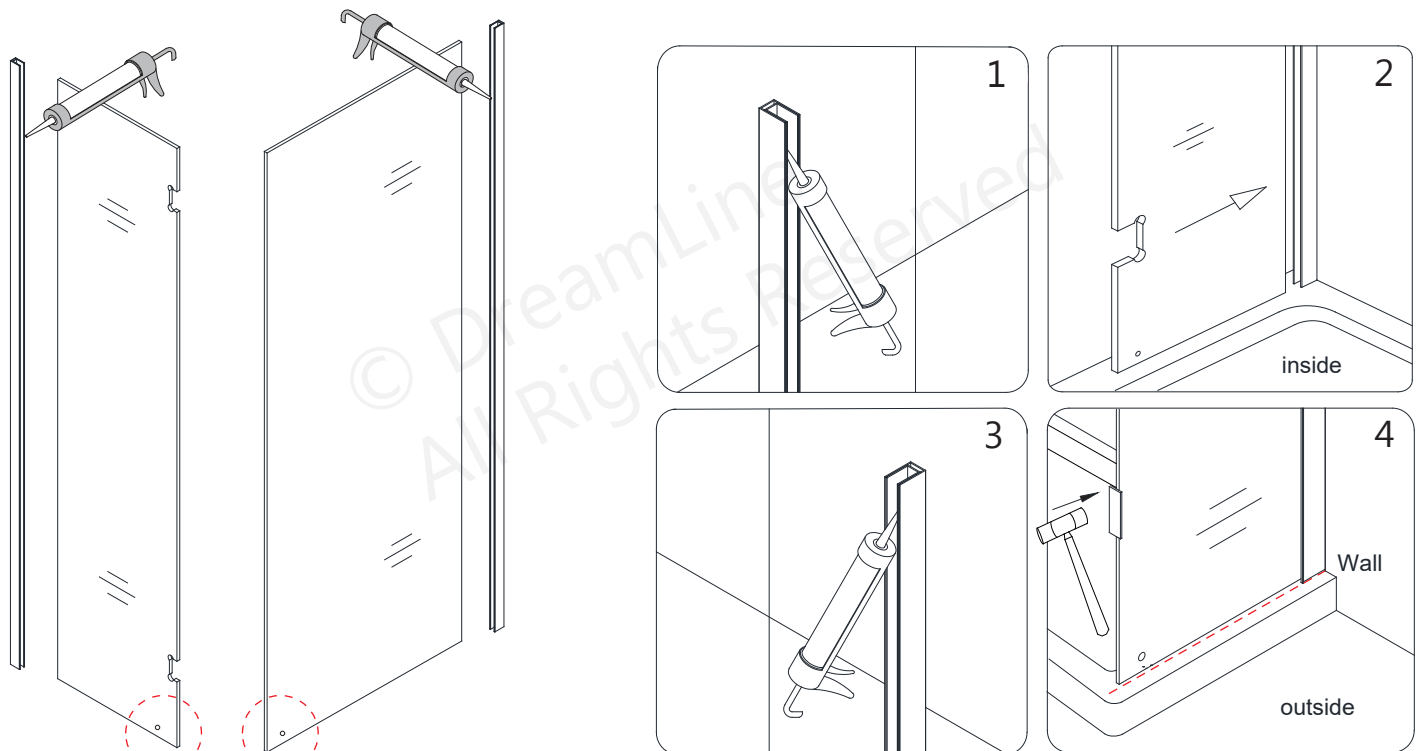


Fig 4

! **Note:** Install the panel glass with bottom bracket holes at the bottom.

5. Set the **Hinge Panel Glass (#01)** onto the threshold and into the **Stainless Steel U-Channel (#11)**. Do the same for the **Return Panel Glass (#03)**. (Fig 5)



NOTE: The opening between the **Hinge Panel Glass (#01)** and the **Return Panel Glass (#03)** needs to be **24-1/8"** to accommodate the door glass.

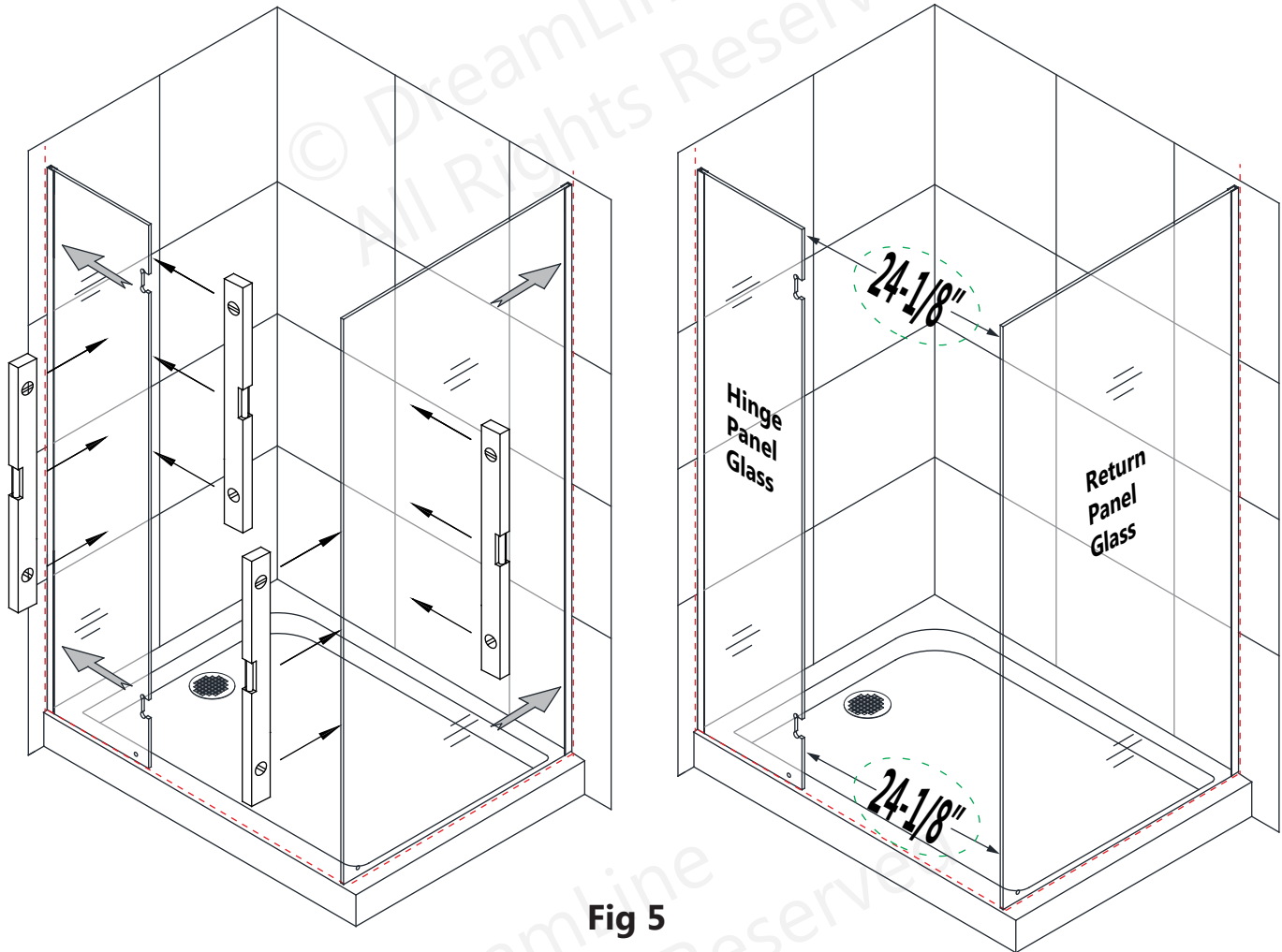
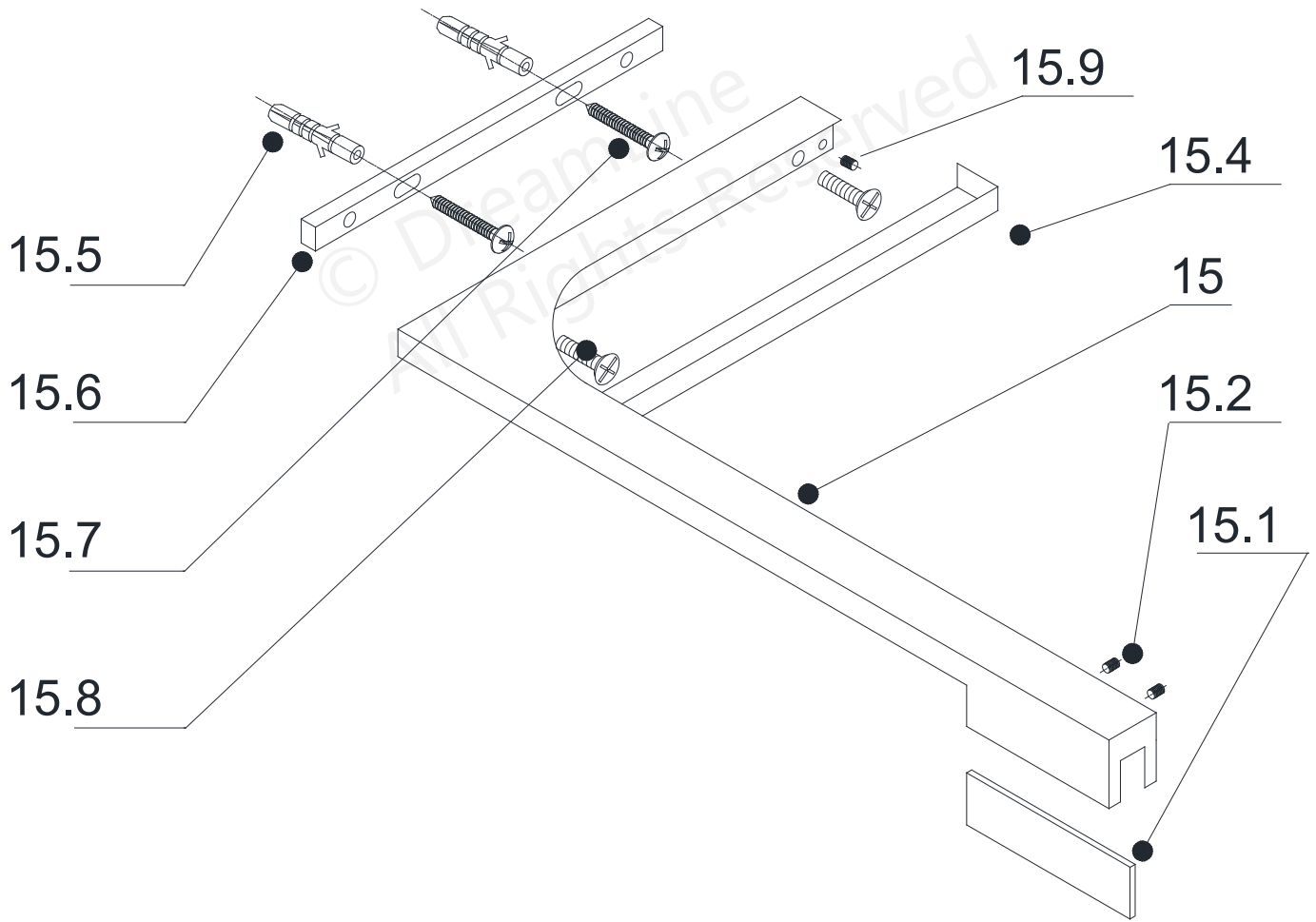


Fig 5

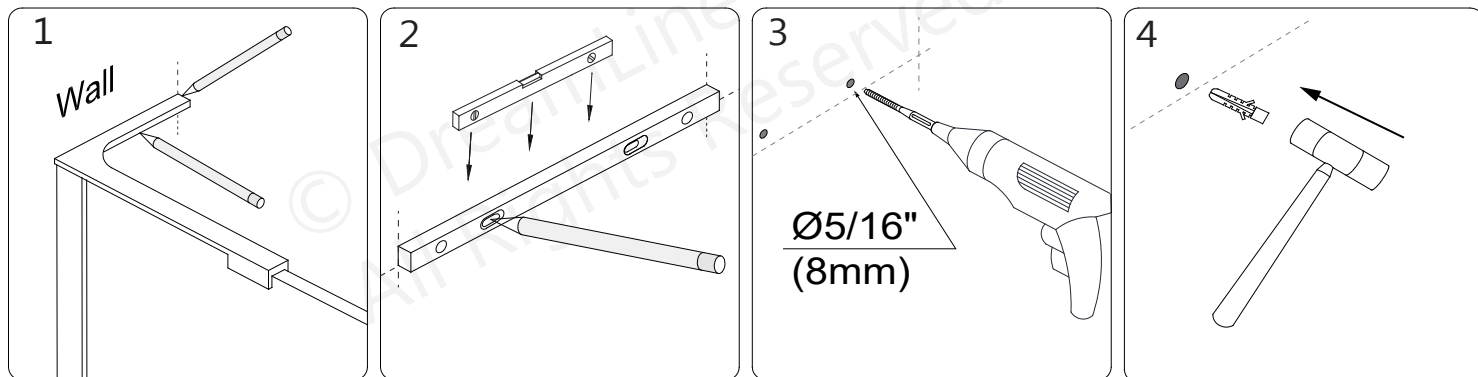
L-Bar™ Assembly Parts List (Left-hand bracket shown)



Item#	DESCRIPTION	Qty	Item#	DESCRIPTION	Qty
15	L-Bar™ (left-hand shown)	1 pc	15.6	Wall Plate	1 pc
15.1	PVC Spacer	1 pc	15.7	Truss Head Screw ST 4.2 x 40	2 pcs
15.2	Rubber Tip Set Screw	2 pcs	15.8	Flat Head Screw M5 x 14	2 pcs
15.4	Decorative Cover	1 pc	15.9	Wall Plate Adjustment Set Screw	2 pcs
15.5	Ø5/16" Wall Anchor	2 pcs			

6. Position the **Left-Hand L-Bar™ (#15)** onto the **Hinge Panel Glass (#01)** as shown and mark its position on the wall. Remove the **Wall Plate (#15.6)** from the **Left-Hand L-Bar™ (#15)**. Hold the **Wall Plate (#15.6)** to the marks on the wall. Check for level and mark the holes for drilling through the wider, untapped holes. **(Fig 6.2)**

Drill two **Ø5/16" (8mm)** holes and insert the **Ø5/16" Wall Anchors (#15.5)**. **(Fig 6)**



(Left-hand L-Bar™ Installation shown)

Fig 6

7. Attach the **Wall Plate (#15.6)** to the wall using the **Truss Head Screws ST4.2 x 40 (#15.7)**. Re-attach the **Left-Hand L-Bar™ (#15)** to the **Wall Plate (#15.6)** using the **Flat Head Screw M5x14 (#15.8)**. Adjust the angle if necessary by using the **Wall Plate Adjustment Set Screws (#15.9)**. **(Fig 7)**

Adjust the angle of the L-Bar (up to 3/16") using the small set screws on the wall plate.

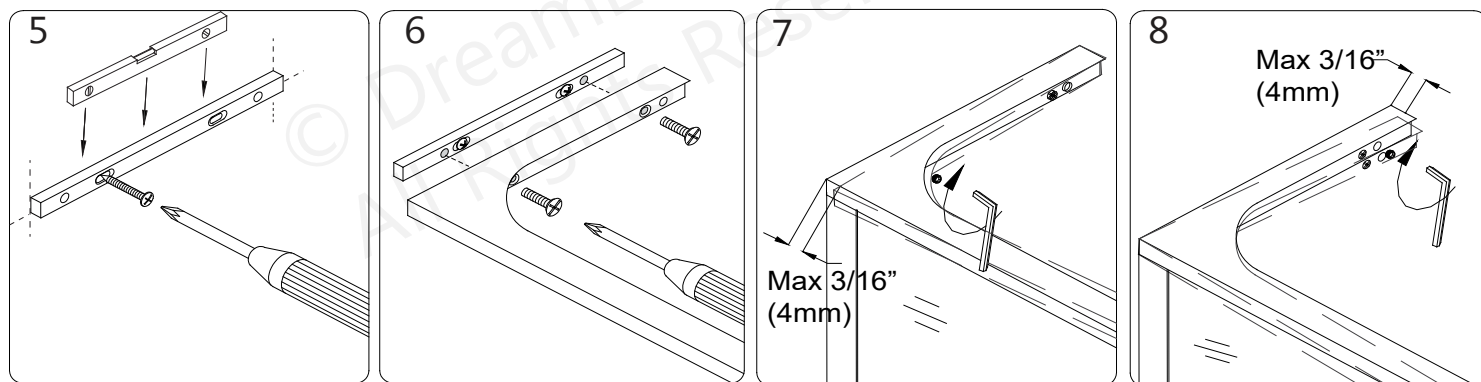


Fig 7

8. Adjust the **Hinge Panel Glass (#01)** to plumb and tighten the screws. Attach the **Decorative Cover (#15.4)**. Secure the **L-Bar™ (#15.3)** to the top of the **Hinge Panel Glass (#01)** using the clear gasket and rubber-tipped set screws. **Do Not Overtighten!** (Fig 8.10 and Fig 8.11)
Repeat these steps for the installation of the Right-Hand L-Bar™ (#04) on the Return Panel Glass (#03). (Fig 8 and Fig 8a)

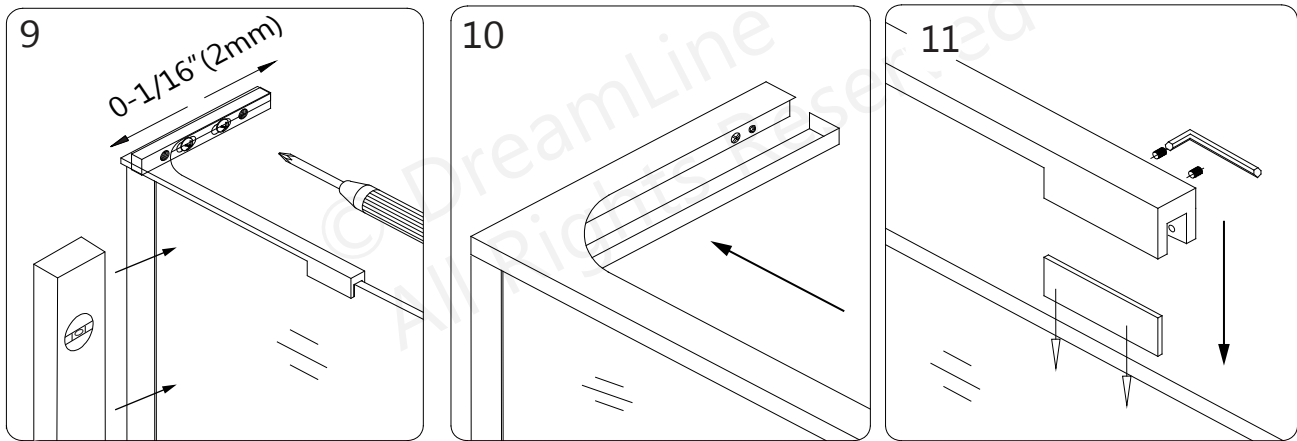
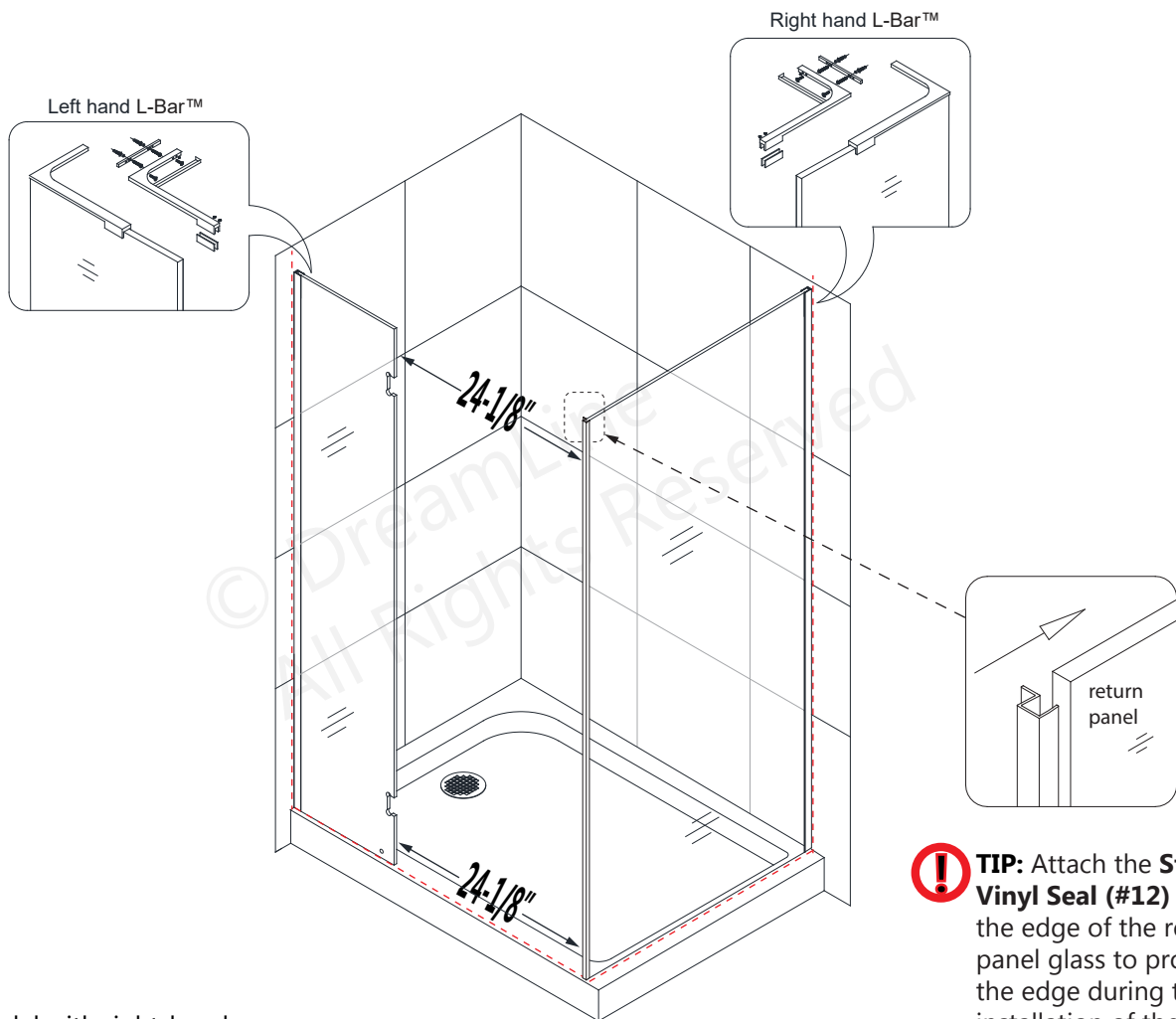


Fig 8



! TIP: Attach the **Strike Vinyl Seal (#12)** to the edge of the return panel glass to protect the edge during the installation of the door glass.

Quatra Plus model with right-hand return panel shown as an example

Fig 8a

9. Attach the **Hinges (#06)** to the **Hinge Panel Glass (#01)** (with the bolts facing inside the shower). Use at least one gasket per side. Make sure that the hinges are flush to the edge of the glass and level. Carefully bring the **Door Glass (#02)** into the shower between the two stationary panels. Level up the **Door Glass (#02)** next to the **Hinge Panel Glass (#01)** and fasten the hinges onto the **Door Glass (#02)**. Make sure the top edges of the **Door Glass (#02)** and both **Glass Panels** are flush and level. (**Fig 9 and Fig 9a**)



NOTE: Do Not attach the handle to the door glass until instructed.

Do Not attempt to lift the door glass with the handle as this may result in damage to the glass and/or serious personal injury. Use a professional grade glass suction cup and an assistant when handling heavy glass.

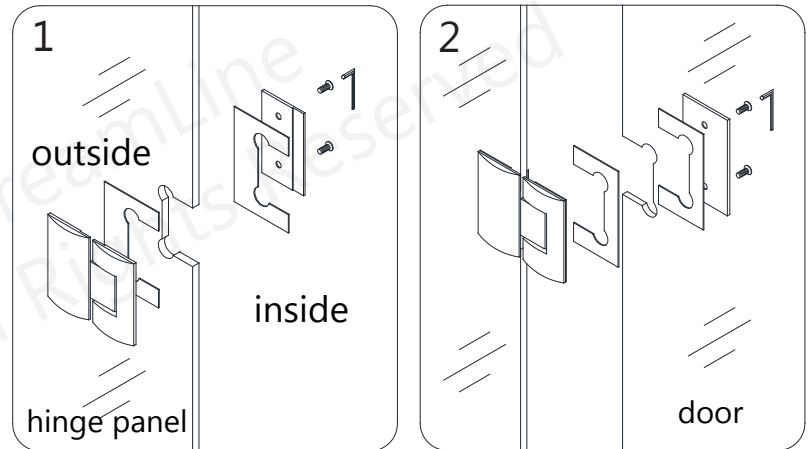


Fig 9



TIP: Set the door glass upon a pair of wood or plastic shims (13/16" thick) to make the installation of the door glass onto the hinges easier.



Use caution when installing the door glass. **DO NOT** make contact with the edge of the return panel glass.

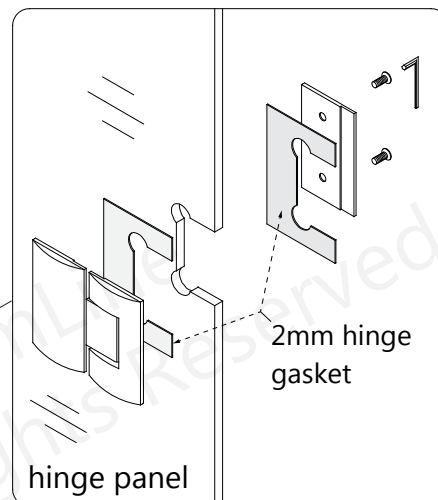
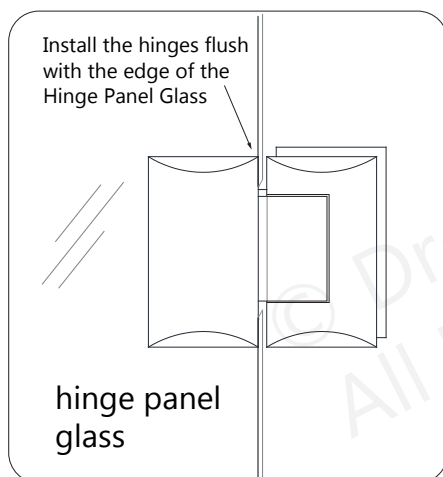


Fig 9a

NOTE: These adjustable hinges are factory set to overclose.
See **Page 18** for instructions regarding the adjustment features of these hinges.



NOTE: DO NOT attach the handle to the door glass or the towel bar to the panel glass until instructed.
DO NOT use the handle or towel bar to lift the glass during installation. This may result in damage to the glass and/or serious injury. Always use an assistant or a professional grade glass suction cup when handling heavy glass.

10. Attach the **Strike Vinyl Seal (#12)** to the edge of the **Return Panel Glass (#03)**. (Fig 10)

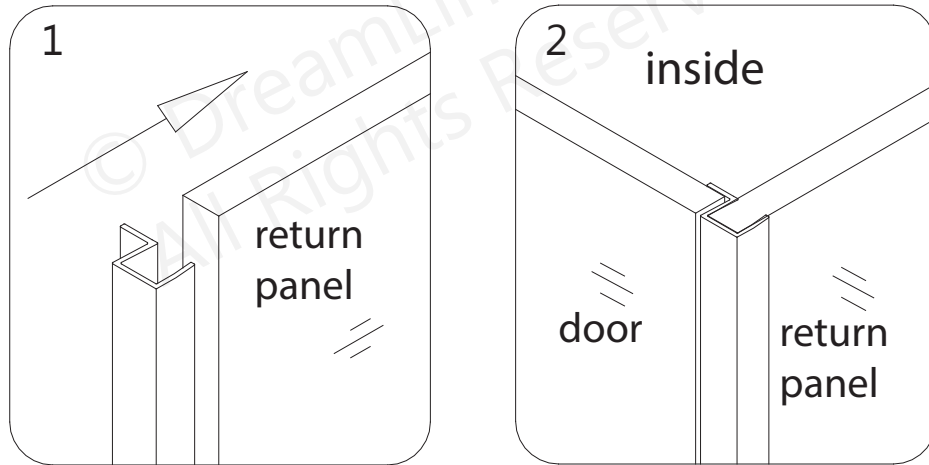


Fig 10

11. Attach the **Handle (#05)** to the **Door Glass (#02)**. (Fig 11)

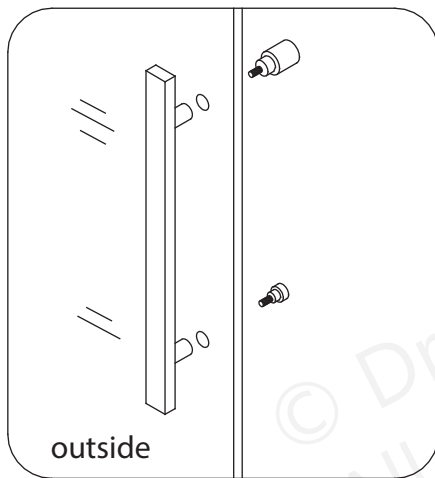
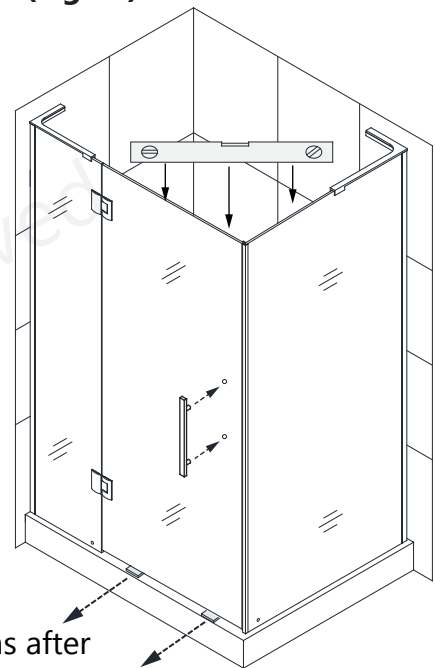


Fig 11

12. Remove the shims from beneath the door glass.** Check the door for level and plumb. (Fig 12)



Remove the shims after the door glass is secured to the hinges

Fig 12



**** NOTE:** It is recommended to leave the spacers or shims in place beneath the door glass for 24 hours. If necessary, delay installing the sweep vinyl (#14) in the next step until the silicone securing the hinge panel glass has cured.

13. Measure the width at the bottom of the **Door Glass (#02)** to determine the actual glass width. Using a razor knife, cut the **Sweep Vinyl (#14)** to the size of your measurement and notch approximately 3/8" off of the inner side of the **Sweep Vinyl (#14)** as shown in **Fig. 13.2**. Press the **Sweep Vinyl (#14)** tightly onto the bottom edge of the **Door Glass (#02)**. (**Fig 13**)

NOTICE: Make sure the **Sweep Vinyl (#14)** is flush with the vertical edge on the **Handle** side of the **Door Glass (#02)**.

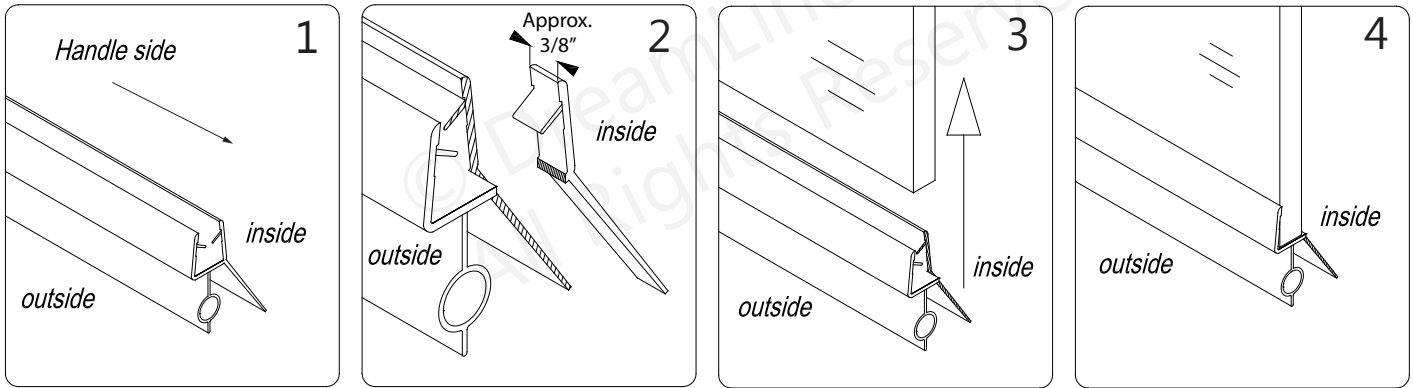


Fig 13

14. Take three measurements to prepare to notch the **Flanged Anti-Water Strip (#12)** to fit around the hinges:

- from the top edge of the **Door Glass (#02)** to the upper body of the top **Hinge (#06)** (+) 7/8"
- from the lower body of the upper **Hinge (#06)** to the upper body of the bottom **Hinge (#06)** (+) 1-3/4"
- from the lower body of the bottom **Hinge (#06)** to top of the installed **Sweep Vinyl (#14)** (+) 1-7/8"

Cut the **Hinge Side Vinyl (#13)** according to the measurements.

Notch the cut strips to be able to slide them into the **Hinge (#06)** and around the sweep vinyl to cover the space to the inline panel glass. Press the cut strips onto the vertical edge of the **Door Glass (#02)**.

(**Fig 14**)

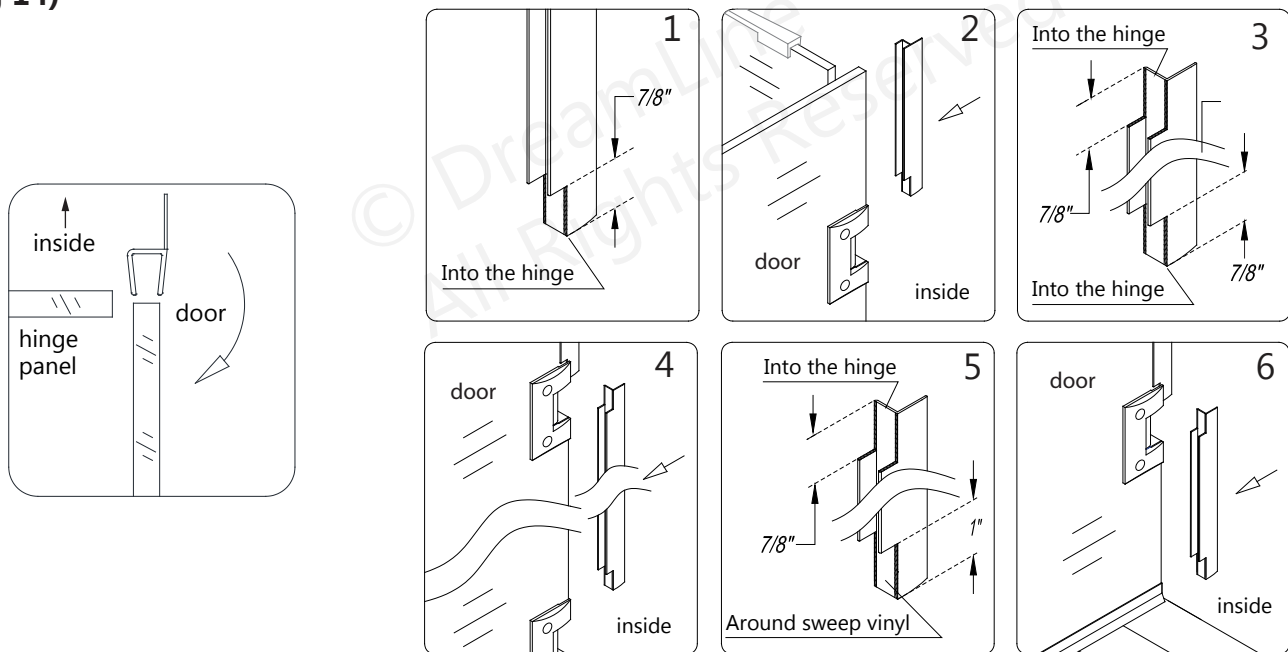


Fig 14

15. Be sure the **Door Glass (#02)** closes evenly and completely against the **Strike Vinyl (#12)**. (**Fig 15**)

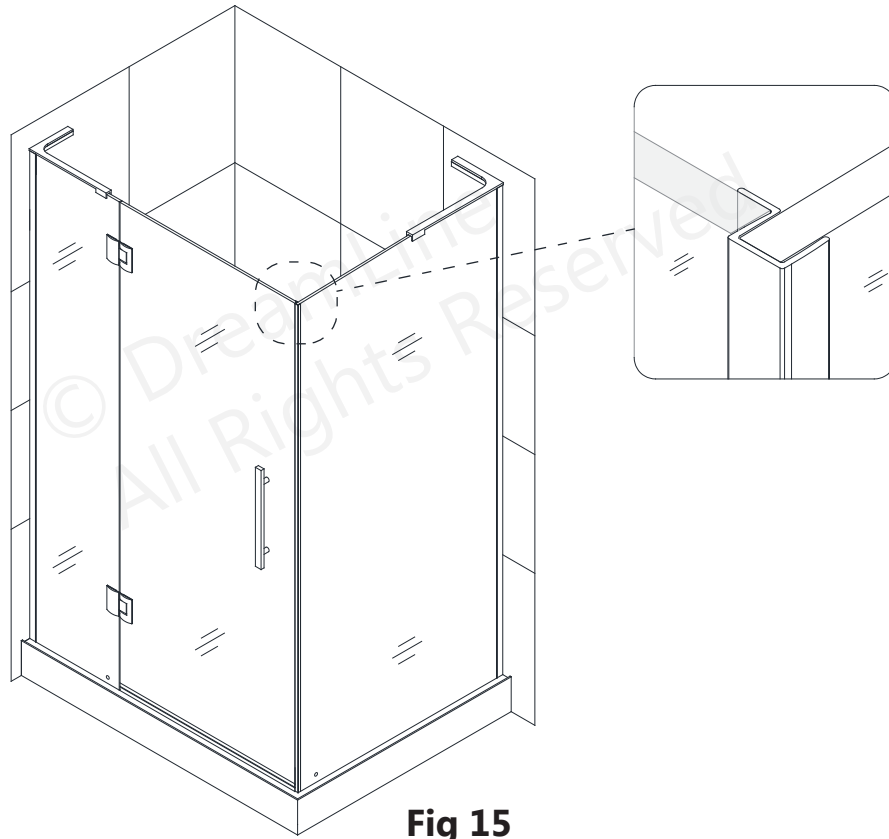


Fig 15

16. Assemble the **Bottom Brackets (#16)** onto the bottom of both lites of the **Stationary Glass**, using the gaskets to prevent glass to metal contact. Mark the Shower base through the holes in the flange of the **Bottom brackets (#16)**. Remove the bracket and use either: *an **Ø1/8" drill bit for an acrylic base** (or a **Ø5/16" drill bit and an anchor for installation into a tile threshold**). Replace the bracket and fasten the bottom brackets using the **Pan Head Screws ST4.2×25 (#09)** and **washers**. Cover the screw and washer with the **Decorative Covers (#10)**. (**Fig 16**)

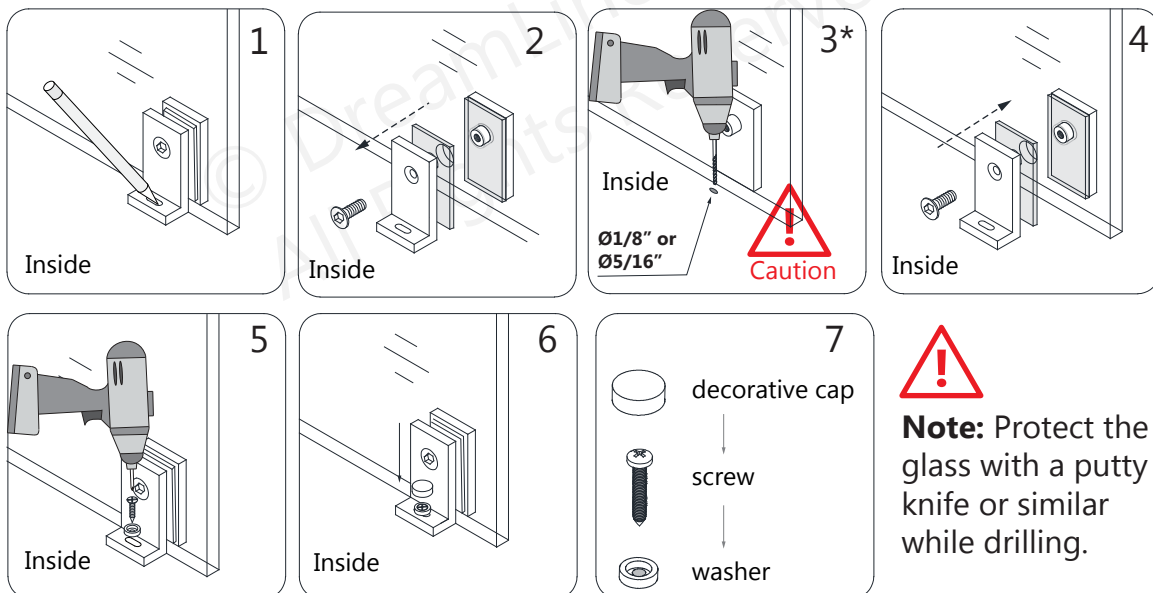


Fig 16

17. Apply a good quality mildew-resistant silicone along the interior perimeter of the wall profiles and along the bottom of the panel glass where it meets the threshold. **(Fig 17)**

NOTE: The surfaces need to be clean and free of debris before applying silicone.



Allow 24 hours for the silicone to cure before using the shower.

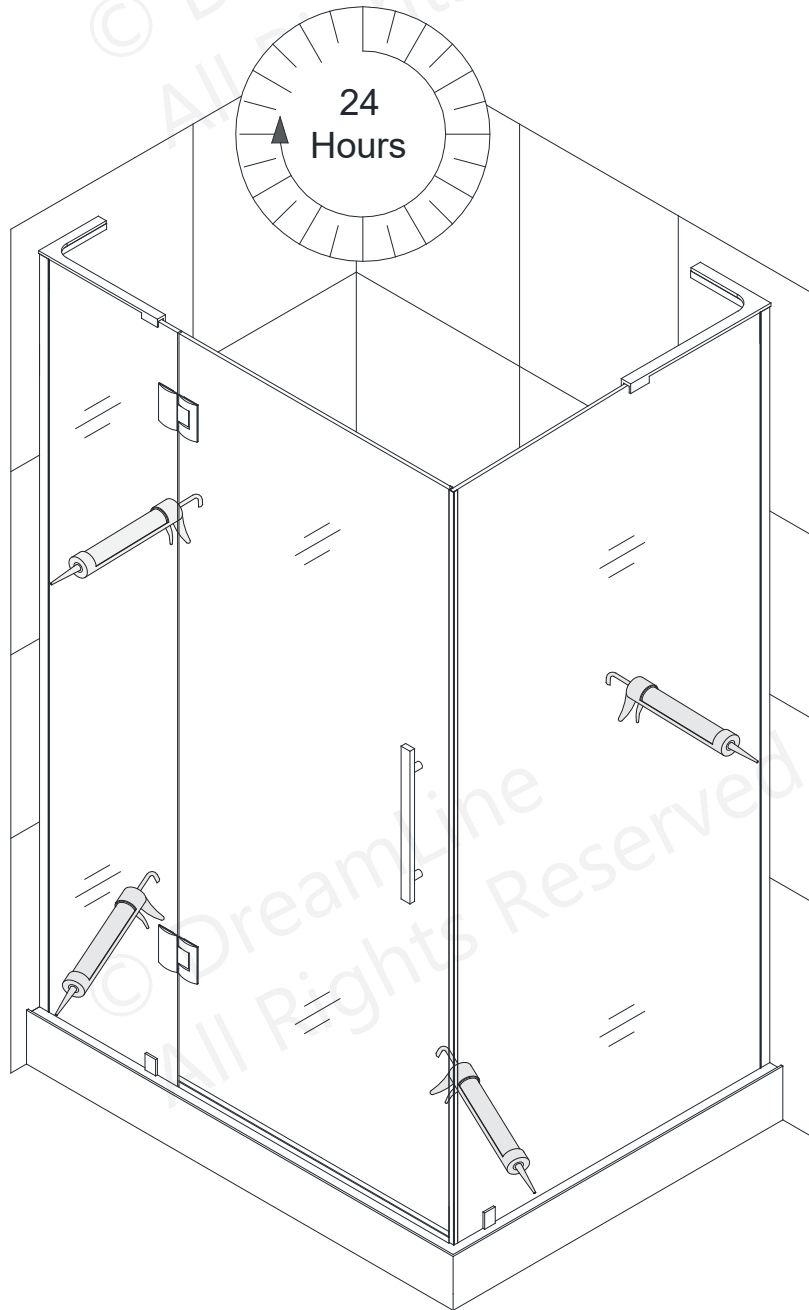
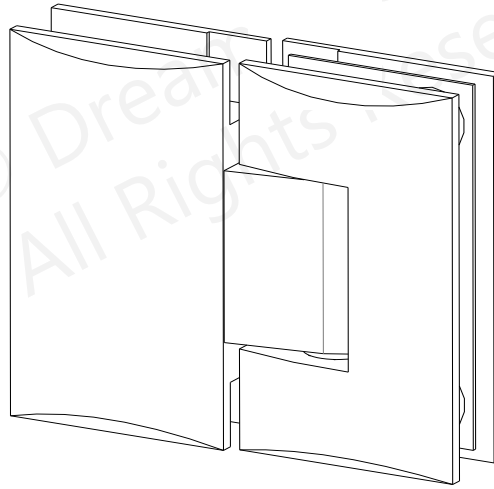


Fig 17

HG-PRS20A Adjustable Hinge Manual



Installation & Adjustment

1. Make sure the door glass is plumb and the edge of the hinge is installed flush with the glass edge. Tighten the faceplate screws. (Figure 1)

2. The hinges are set to overclose at 172° degrees. You can change this angle by using the adjustment screws on the hinge plate. (Figure 2)

3. Use the supplied Allen Key to loosen the adjustment screws on the hinge plate, adjust the door to the desired angle then tighten the adjustment screws. (Figure 3)

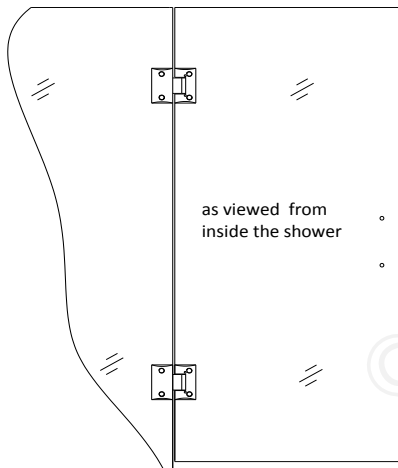


Figure 1

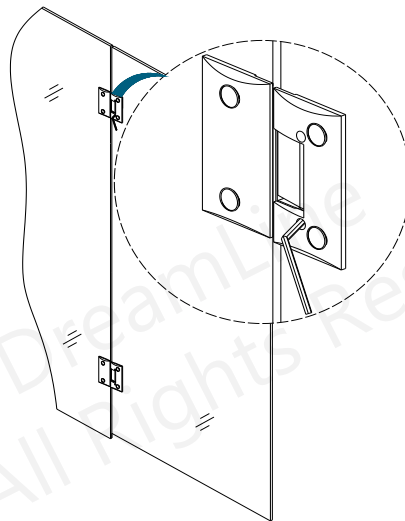


Figure 2

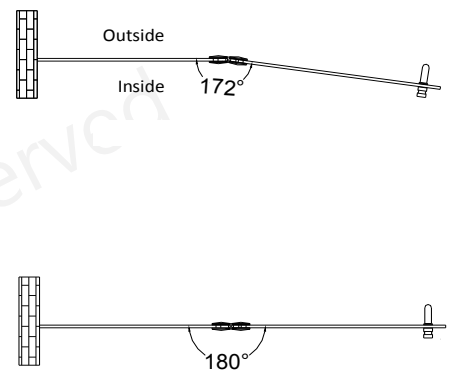


Figure 3

Safe Use & Daily Maintenance

- The overclose setting requires strike vinyl for the door to close against and seal.
- Use a soft cloth to clean the hinge surfaces. Do not use abrasives or acidic liquids as this will damage the finish.
- Be careful not to scratch the finished surfaces of the hinge during installation.

Product Maintenance

BASES and BACKWALLS: To ensure long-lasting life for your acrylic back walls, wipe them off after each use with a soft cloth. To clean the acrylic back walls use non-abrasive sprays or cream based cleaners. Avoid the use of aerosol spray cleaners. Never use abrasive cleansers, metal brushes or scrapers that could scratch or dull the surface.

GLASS: To ensure long-lasting life for your glass shower products, wipe them off after each use with a soft cloth. Rinse and wipe off the glass using either a soft cloth or a squeegee to prevent soap buildup and water spots (Hard water can etch the surface of the glass over time if left to dry). To prevent scratching the surface: never use abrasive cleaners or cleaning products that contain scouring agents. Never use bristle brushes or abrasive sponges that may scratch the surface.

HARDWARE: To ensure a long-lasting finish, wipe off the metal parts after each use with a soft cloth. Do not use abrasive cleaners or cleaning products containing ammonia, bleach or acid. If accidentally used, rinse the surface as soon as possible to prevent damage to the finish (peeling or corrosion). After cleaning the polished finishes, rinse thoroughly and wipe dry with a soft cloth.

Clean stainless steel surfaces at least once a week. When applying stainless steel cleaner or polish to stainless steel hardware, work with (not across) the grain. Never use an abrasive sponge or cloth, steel wool or wired brush as these may permanently scratch the surfaces.

NOTE: To maximize the life of your door, it is important to regularly inspect the glass and all hardware for misalignment, proper attachment, and/or damage. Contact DreamLine® with any questions or concerns.

DreamLine® shower doors and enclosures are designed not to leak when installed properly and the flow of water is not pointed directly at the hinges or vinyl seals.

QUATRA PLUS Maintenance Checklist

- Inspect the **Hinges**
- Inspect the **Bottom Brackets**
- Inspect for **Proper clearance** between the door glass and the threshold
- Inspect for **Proper clearance** between the door glass and the return panel glass
- Inspect the **L-Bars™**
- Inspect the **Handle** - tighten if loose
- Inspect the **edges of the door glass** and **panel glass** for concealed damage
 - o **Damaged glass must be replaced!**

© DreamLine
All Rights Reserved



© DreamLine
All Rights Reserved

TEL: 866-731-2244
FAX: 866-857-3638
DREAMLINE.COM

For more information on DreamLine® Shower Doors and Enclosures please visit **DreamLine.com**