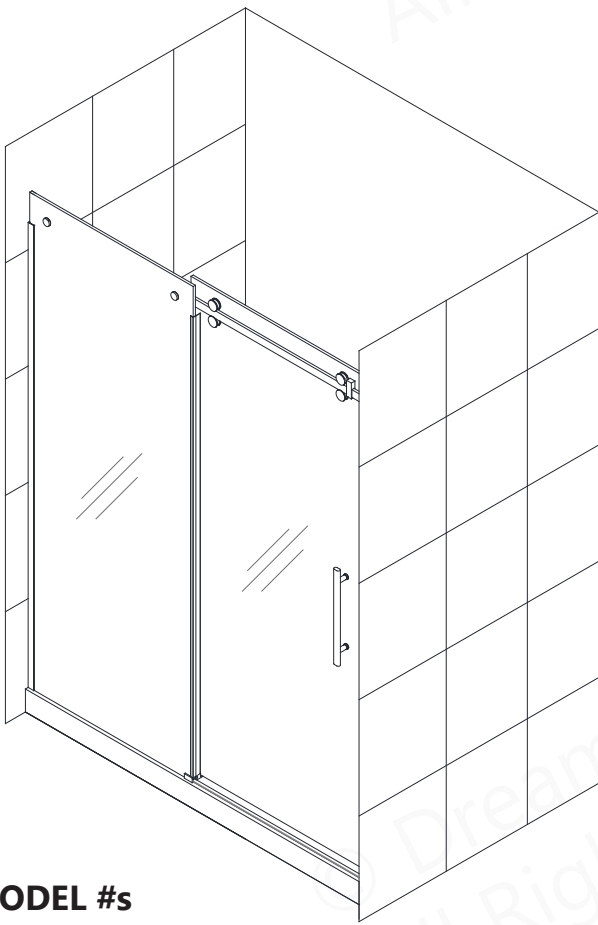


ENIGMA SKY

SHOWER AND TUB DOOR INSTALLATION INSTRUCTIONS

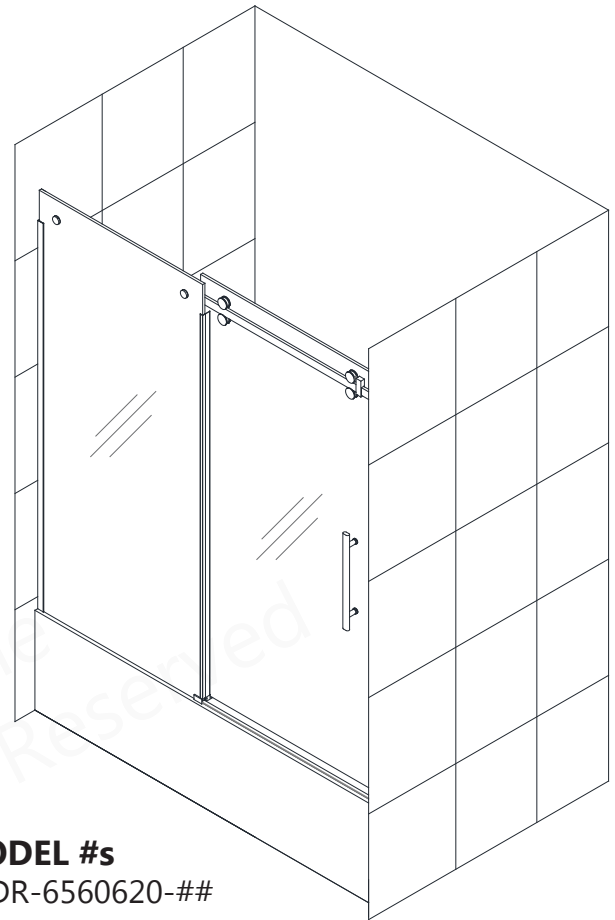
IMPORTANT

DreamLine[®] reserves the right to alter, modify or redesign products at any time without prior notice for the purpose of product improvement and customer experience. Please refer to the model's web page on **DreamLine.com** for the latest technical drawings, installation manuals, warranty information or additional product details.



MODEL #s

SHDR-6548760-##
SHDR-6560760-##



MODEL #s

SHDR-6560620-##

##=finish
07- Brushed Stainless Steel
08- Polished Stainless Steel

Right-hand door installation shown

PLEASE REVIEW THIS ENTIRE MANUAL PRIOR TO INSTALLATION



Questions?

Please Call **DreamLine** Customer Support: **1-866-731-2244**
Hours of Operation M-F 8AM - 6PM EST

Support@DreamLine.com



For more information about DreamLine[®] Shower Doors, Tub Doors & Enclosures, please visit **DreamLine.com**



This model is treated with DreamLine's exclusive ClearMax™ Glass technology. This is a specially formulated coating that prevents the buildup of soap and water spots.

Install the surface with the ClearMax™ label towards the inside of the shower. Please note that depending on the model, the glass may be coated on either one or both surfaces.

For best results, squeegee the glass after each use and dry with a soft cloth.



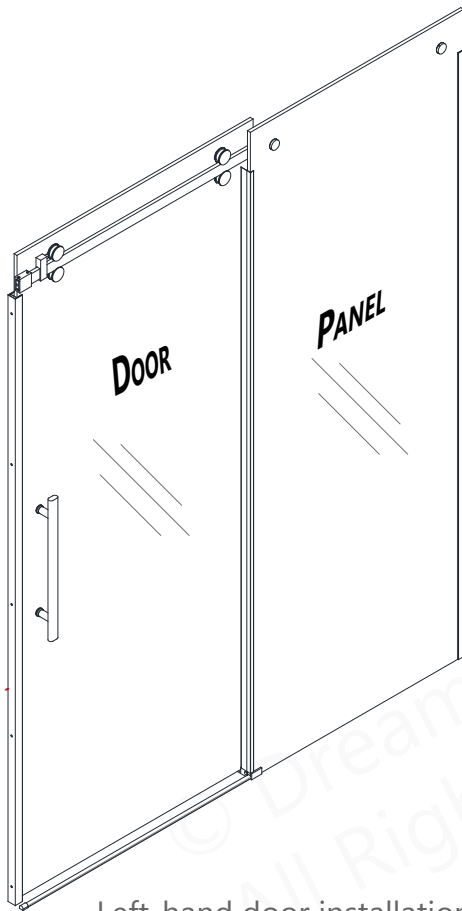
These instructions will show the installation of the shower door. Please follow the same steps for the installation of the tub door.



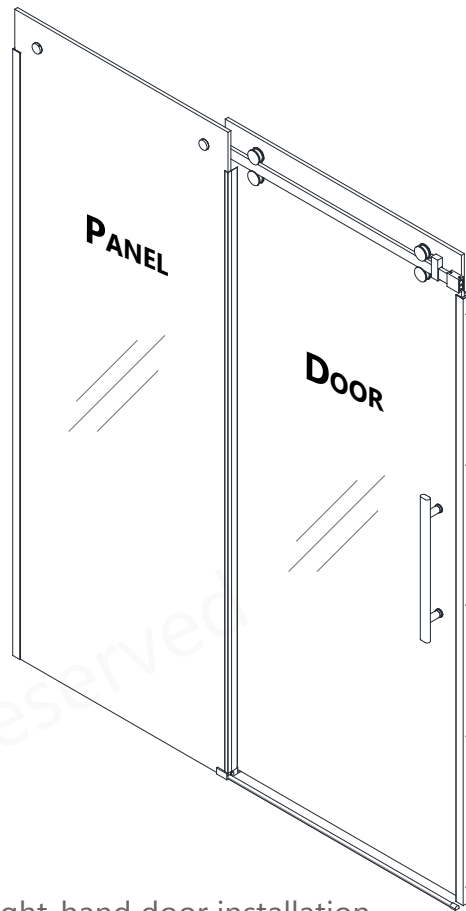
This product should be installed by someone familiar with the construction requirements for this type of project and the care necessary for the safe installation and operation of the product.

Table of Contents

Section title	Page #
Reinforcement	2
Troubleshooting and Maintenance tips	3
Preparation	4
Tools	5
Detailed Diagram of Shower Door Components	6
Parts List	7
Installation Steps	8-26
SafeStop™ and SafeClose™ Bumper Installation	22-24
Vinyl Seals	26
Product maintenance	27
Maintenance Checklist	28



Left-hand door installation



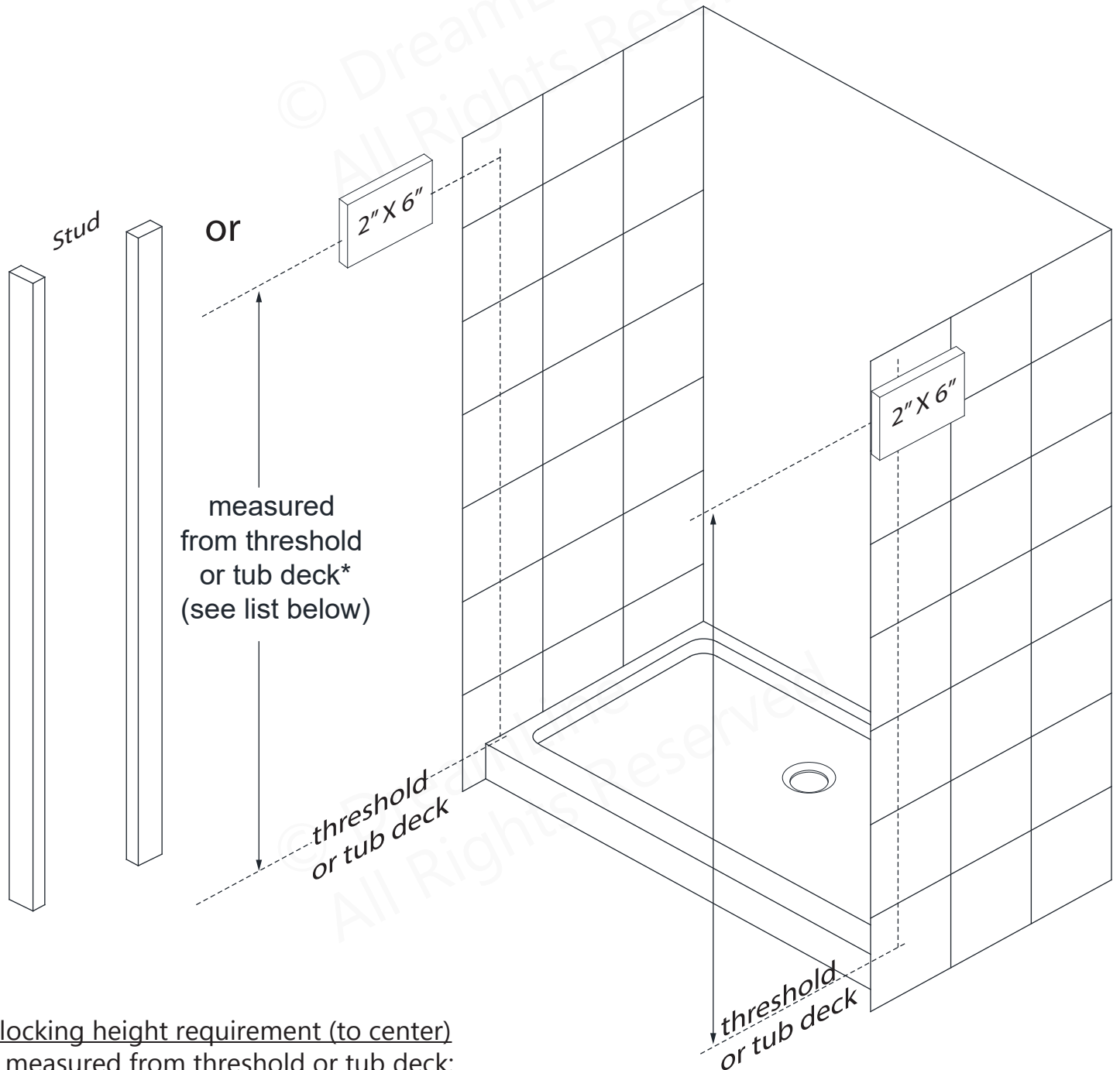
Right-hand door installation



NOTE: The **right-hand door** installation is shown as an example throughout this manual. For the **left-hand door** installation, simply begin on the opposite wall and reverse the orientation of the parts in the steps shown.

Reinforcement for Enigma Series Heavy Glass frameless sliding shower or tub door

Install studs OR install 2"x 6" wood blocking between the studs where the
Guide Rail Brackets will attach to the wall



*Blocking height requirement (to center)
as measured from threshold or tub deck:

Enigma Air, Enigma Sky = 73" for shower ht / 59" for tub ht

Enigma X, Enigma XO = 72-1/2" for shower ht / 58-1/2" for tub ht

Enigma Z = 73-1/2" for shower ht / 59-1/2" for tub ht

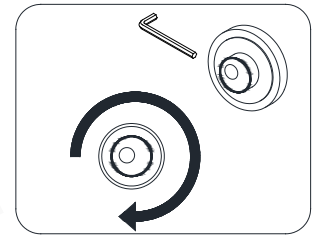
Enigma = 75-1/2" for shower ht only

ENIGMA-SKY

troubleshooting and maintenance tips

Right Hand door installation shown as an example

The Roller wheels can be adjusted as needed so that door glass makes even contact within the u-channel from top to bottom

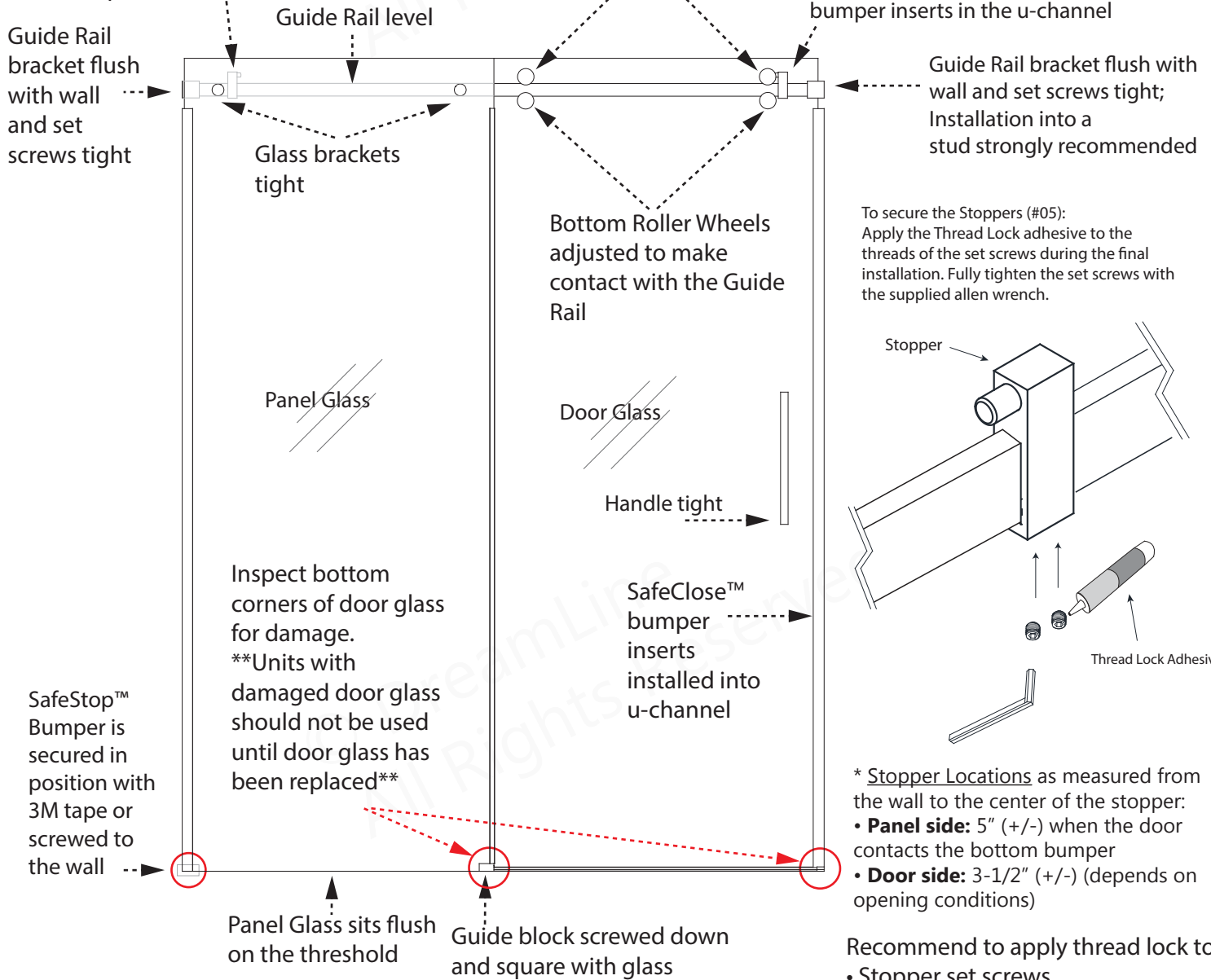


Rotate disk to adjust

*Stopper properly positioned and tight -door makes contact with stopper and bottom bumper evenly when the door is in the fully open position

Roller Wheels tight leaving the proper clearance beneath the door glass and guide block

*Stopper properly positioned and tight so that the Door stops against the stopper and seals firmly into the bumper inserts in the u-channel



Recommend to apply thread lock to:

- Stopper set screws
- Wheel bolts
- Glass Bracket bolts



All rubber gaskets and sleeves installed properly between all hardware and glass to prevent glass to metal contact

Preparation

1. Prior to installation, examine all boxes and packages for shipping damage and compare the piece count with the packing slip. After opening all boxes and packages read this introduction carefully. Check that all of the necessary parts are included in the package by checking off the components on the "Detailed Diagram of Shower Door Components". If the unit has been damaged, has a finishing defect, or has missing parts, please contact our customer support department within **3 business days** of the delivery date. **Please note that DreamLine® will not replace any damaged products or missing parts free of charge after 3 business days or if the product has been installed.** Contact DreamLine® if you have any questions, and please provide an order number, job name or other proof of purchase to help identify the original order.

2. **Please note that you should consult your local building codes with questions on installation compliance standards. Building and plumbing codes may vary by location, and DreamLine® is not responsible for code compliance standards for your project and will not accept any returns.**

3. If this unit is going to be installed in a new construction, please install all of the required plumbing and drainage before installing the shower. Use a competent and licensed (if required by local code) plumber for all plumbing installation

4. Please make sure that prior to beginning the installation, the surfaces are leveled and solid and will be able to support the total weight of the unit. Also make sure the walls are at right angles. Irregular installation surface level, radius corners or improper angle of side walls will result in serious problems for your installation. Note that some adjustments and drilling will be necessary during the installation process.

5. Please protect all primary surfaces of the product during installation. Never set the glass down directly onto a tile floor. Leave corner protectors in place until necessary to remove them. Always use a piece of wood or cardboard to protect the bottom edge and corners of the glass prior to and during installation.

6. This unit must be installed upon a finished threshold and against finished walls.

7. **The panel side can be adjusted up to 1/4" within the u-channel for an out-of-plumb wall. The u-channel on the door side can accommodate up to 1/4" for an out-of-plumb wall. Use a level to verify that finished wall conditions are within this tolerance before installation.**

8. This model requires that you drill into the threshold for proper installation.

9. **Installation of the Guide Rail brackets into a stud or 2" x 6" wood reinforcement is strongly recommended. See Steps #8 and #19 for details.**

10. This model requires a minimum of **2-1/4"** of flat threshold space for installation.

11. **Professional installation required.**

NOTE: This manual will describe the shower door installation. Please follow the same sequence of installation steps for the tub door installation.

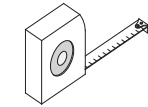


NOTE: DO NOT attach the handle to the door glass until instructed. **DO NOT** use the handle to lift the glass during installation. This may result in damage to the glass and/or serious injury. Always use an assistant and/or a professional grade glass suction cup when handling heavy glass panels.

Tools



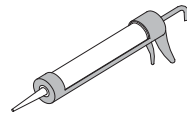
Level



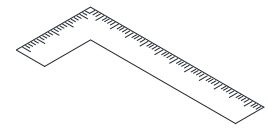
Tape Measure



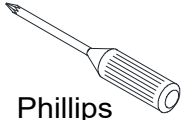
Pencil



Silicone



Carpenter's Square



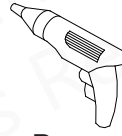
Phillips Screwdriver



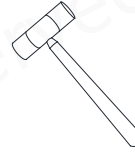
Drill bit
(Ø1/8")
(3mm)



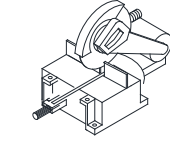
Drill bit
(Ø5/16")
(8mm)



Power Drill



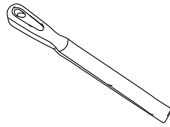
Soft Head Hammer



Chop saw and Hacksaw



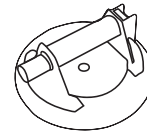
Painter's Tape



Metal File



1/2" Shims



Professional-grade Glass suction cup

Tip: Measure the finished opening before proceeding with the installation to be sure that the correct model size has been ordered.

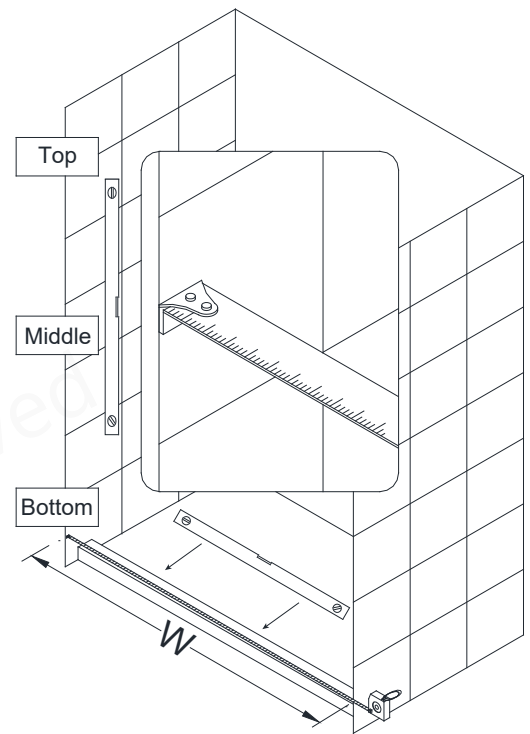
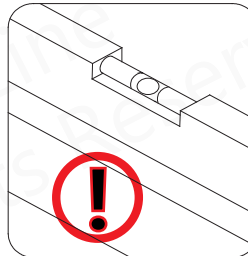
Tip: Prior to installation, cover the shower/tub drain with tape to prevent losing screws or small parts.

Tip: Set screw gun clutch to low setting when installing screws and bolts to prevent stripping the heads.

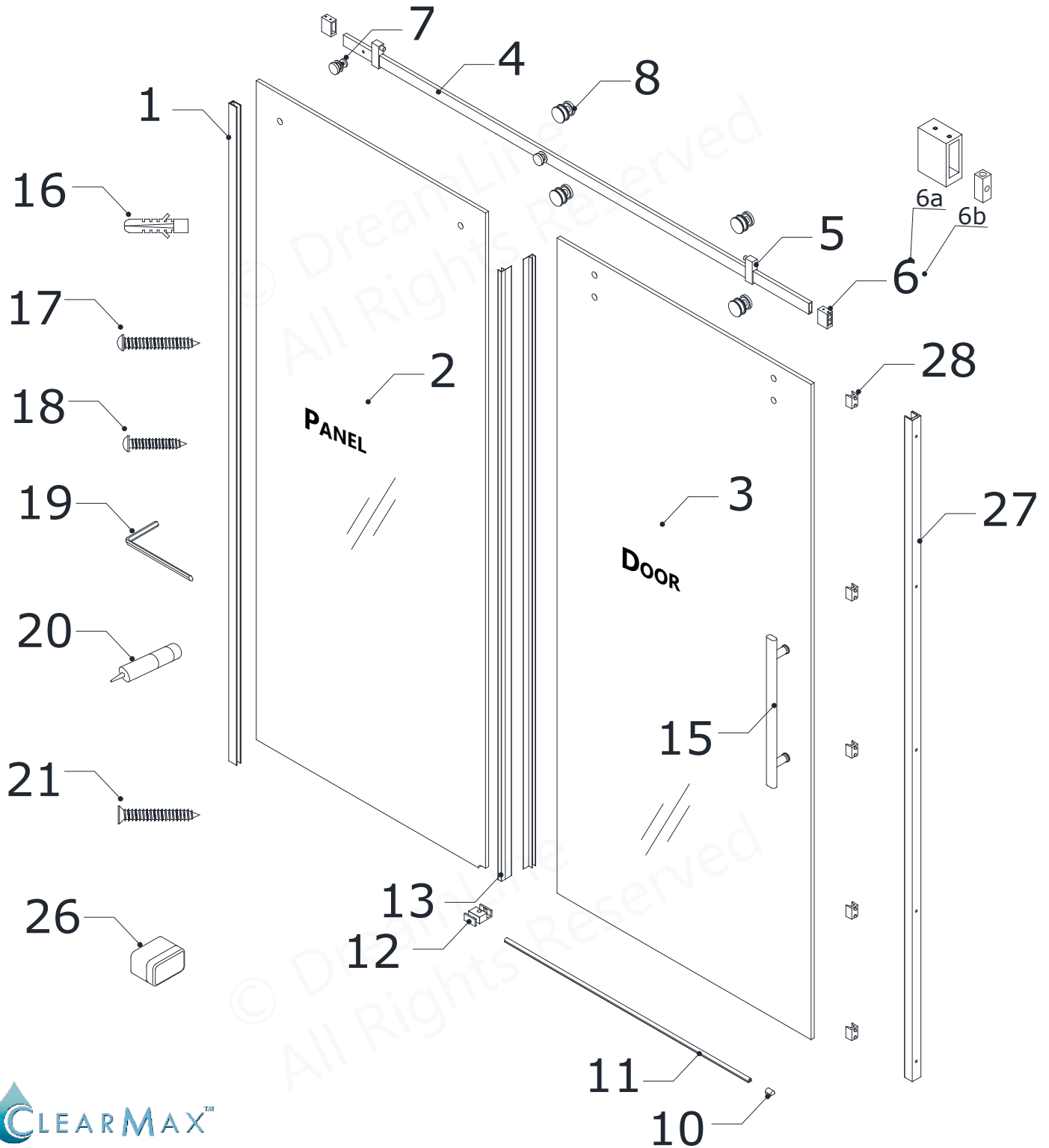
NOTE: Unpack your unit carefully and inspect it. Lay it out and identify all parts using the detailed diagram and packing list in this manual as a reference. Before discarding the carton, check for small hardware bags that may have fallen to the bottom of the box. If any parts are damaged or missing, please contact DreamLine® for replacement. The shipping boxes may contain extra parts not used in your model configuration.

NOTE: Retain these installation instructions for future reference.

Threshold must be level.



Detailed Diagram of shower door components



The glass surface with the ClearMax™ label must be installed to face inside of the shower

Right-hand door installation shown

Parts List

ITEM #	PART NUMBER		DESCRIPTION	QTY
1	62"	07121138 / 07124138	U-channel	1pc
	76"	07121089 / 07124089		
2	48x76"	010420001	Stationary Glass	1pc
	60x76"	010420003		
	60x62"	010420005		
3	48x76"	010420010	Door Glass	1pc
	60x76"	010420012		
	60x62"	010420011		
4	48"	07121075 / 07124075	Guide Rail	1pc
	60"	07121074 / 07124074		
5	07021109 / 07024109		Stopper	2pcs
6	07021111 / 07024111		Guide Rail Bracket (6a & 6b)	2pcs
7	07021112 / 07024112		Glass Bracket	2pcs
8	07321023 / 07324023		Roller	4pcs
10	07551068 / 07554068		Threshold End Cap	1pc
11	48"	04100011-0638 / 04100041-0638	Anti-splash Threshold	1pc
	60"	04100011-0790 / 04100041-0790		
12	07021110 / 07024110		Guide Block	1pc
13	063004100-1798		Anti-water Side Strip	2pcs
15	07221004 / 07224004		Handle	1set
16	07550045		5/16" Wall Anchor	11pcs
17	091107		ST4.0 x 40 Pan Head Screw	9pcs
18	091104		ST4.0 x 25 Pan Head Screw	1pc
19	098004		Allen Wrench (4mm)	1pc
20	160012		Thread Lock Adhesive	1pc
21	092113		ST4.2 x 55 Countersunk Screw	2pcs
26	07021153 / 07024153		SafeStop™ Bumper	1pc
27	62"	07121137 / 07124137	U-channel	1pc
	76"	07121069 / 07124069		
28	07550074		SafeClose™ Bumper Insert	5pcs

Installation steps

1. Check both finished walls to make sure they are plumb and check the threshold to make sure it is level across the opening. **(Fig 1)**

! **NOTE:** This model will allow for up to 1/4" of out-of-plumb adjustment within the u-channel on the inline panel side and can accommodate up to 1/4" for out-of-plumb on the door side.

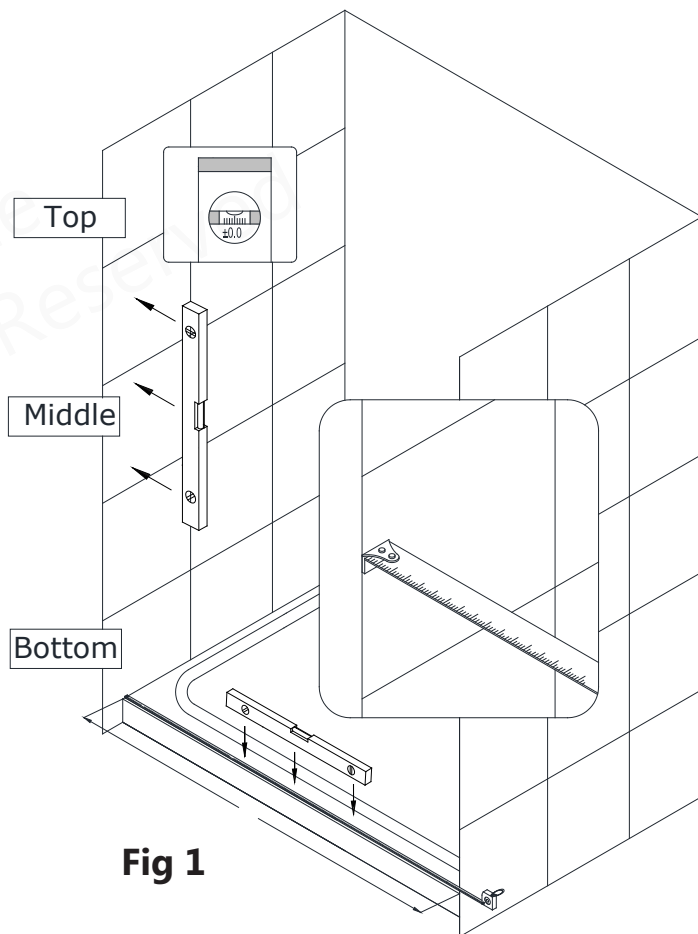
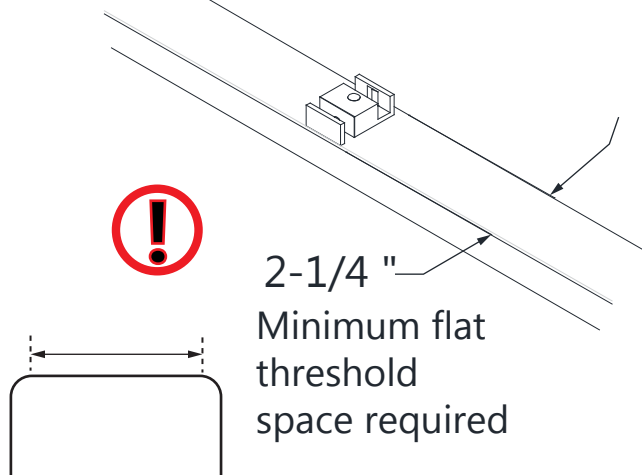


Fig 1

NOTE: This model requires a minimum 2-1/4" of flat threshold space for installation.



2. Measure the finished opening width at the model height. Use a Chop saw (with a blade for cutting stainless steel), to cut the **Guide Rail (#04)** to fit the finished opening. **(Cut from the door end of the rail only)**

- for **Shower** model: Measure the width at a height of **72-1/4"**
 - for **Tub** model: Measure the width at a height of **58-1/4"**
- This will be dimension (**W**).

The **Guide Rail (#04)** is **1"** less than the model size and will need to be **cut to 1" less than the finished opening size (W):**

Finished opening (W) - 1" = finished cut length (L)

(Fig 2a and Fig 2b)

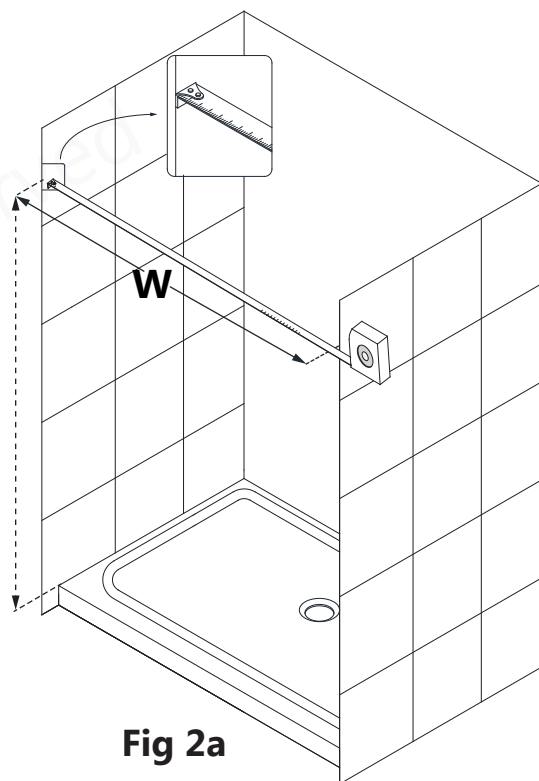


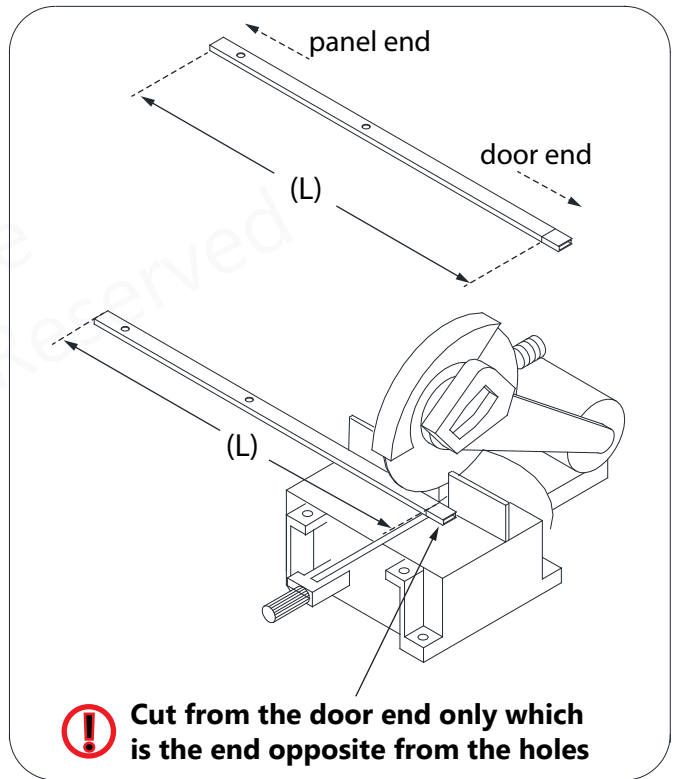
Fig 2a

_____ **Model size**

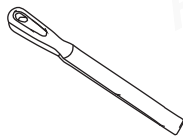
_____ **Finished opening (W)**

_____ **= (W) - 1" = Finished cut length (L)**

Finished opening (W) - 1" = finished cut length (L)



! **NOTE:** Use a metal file to remove any burrs from the cut end of the **Guide Rail (#04)**.



Metal File

Fig 2b

3. Starting from the wall on the stationary panel side of the finished opening, use a Carpenter's Square as a guide and measure in 1/8" to 1/4" from the outside of the threshold and mark the threshold. Extend this line across the threshold to the opposite wall to use for reference in **Step #18.** (**Fig 3**)

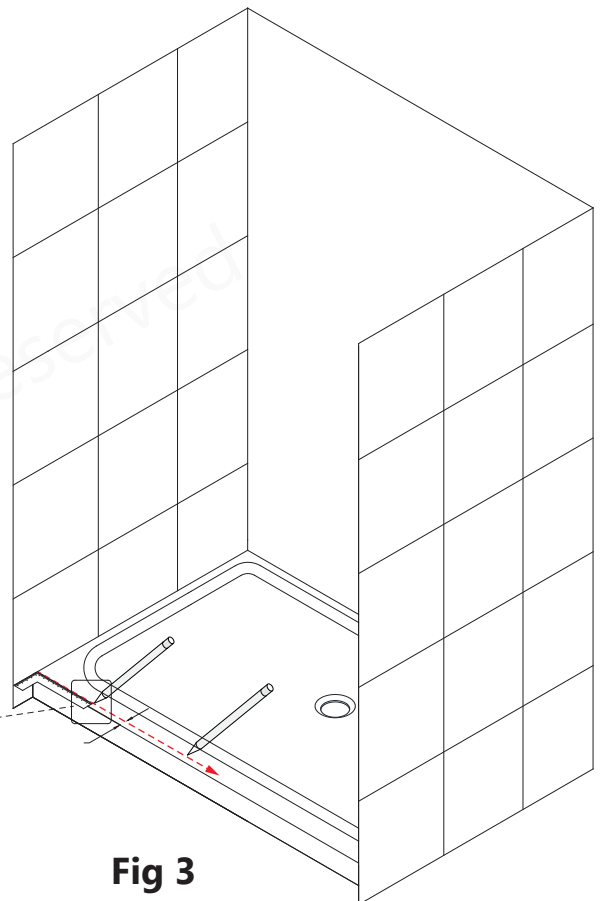
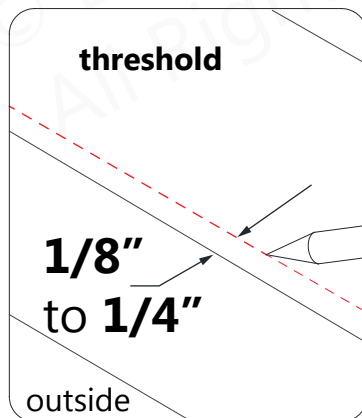


Fig 3

4. Align the edge of the **U-Channel (for Panel Glass) (#01)** to the inside of the reference mark on the threshold. Use a level to hold the U-channel plumb and mark the position of the **U-Channel (for Panel Glass) (#01)** on the wall. Also mark the four holes for drilling through the pre-drilled holes in the U-channel. **(Fig 4)**

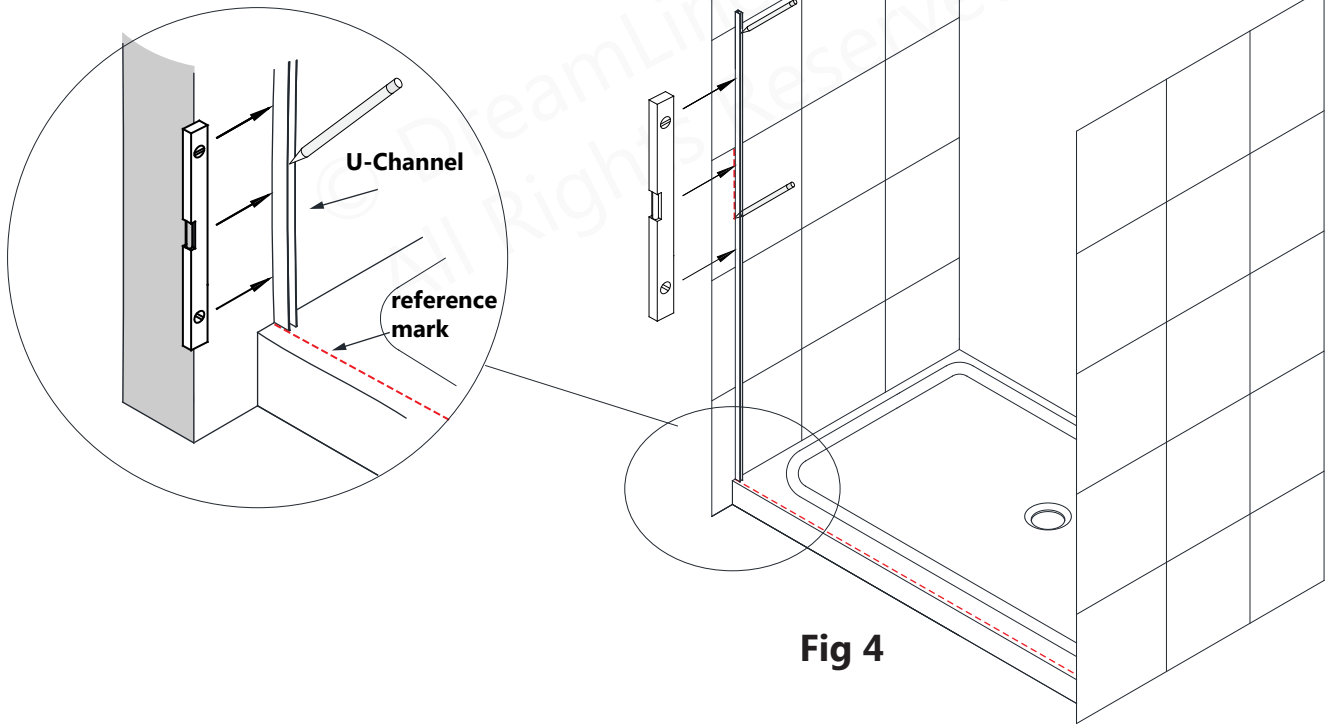
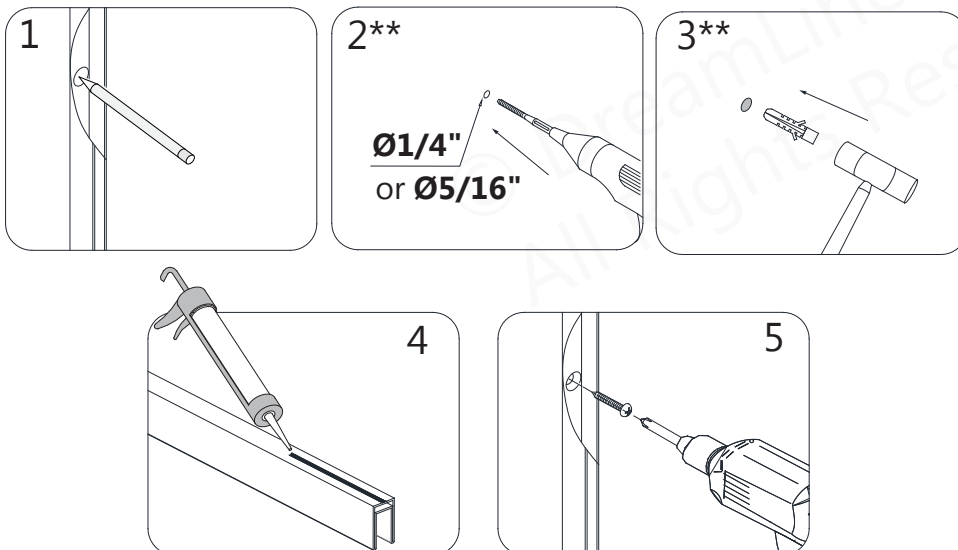


Fig 4

5. Remove the **U-Channel (for Panel Glass) (#01)** from the wall, drill the anchor holes using a $\text{Ø}5/16''$ drill bit and insert the $\text{Ø}5/16''$ Wall Anchors (#16) (**see Note below). Apply a bead of silicone to the back of the **U-Channel (for Panel Glass) (#01)** and attach it to the wall using four of the **ST4.0 x 40 Pan Head Screws (#17)**. **(Fig 5)**



****NOTE:** When installing to a stud, drill a $\text{Ø}1/4''$ hole and do not use the anchors.

Fig 5

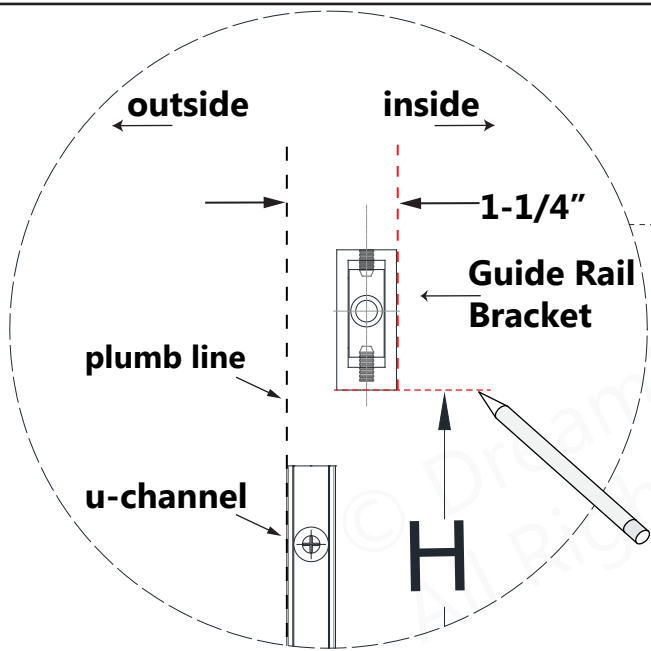


Fig 6a

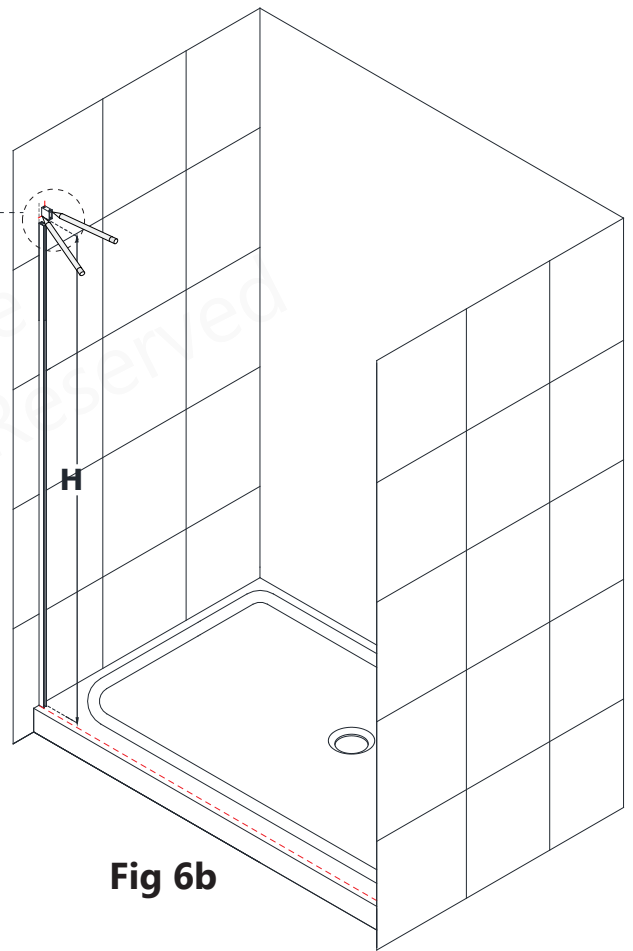


Fig 6b

Right-hand door installation shown as example

6. To position the **Guide Rail Bracket (#06)** on the stationary panel side:
 From inside the shower, measure up from the threshold to the bottom of the **Guide Rail Bracket (#06)** using **Table 1** below. Hold the bracket in place **1-1/4"** from the **outside of the U-channel** (as shown in Fig 6a) and mark the wall at the bottom of the bracket.
(Fig 6a and Fig 6b and Fig 6c)

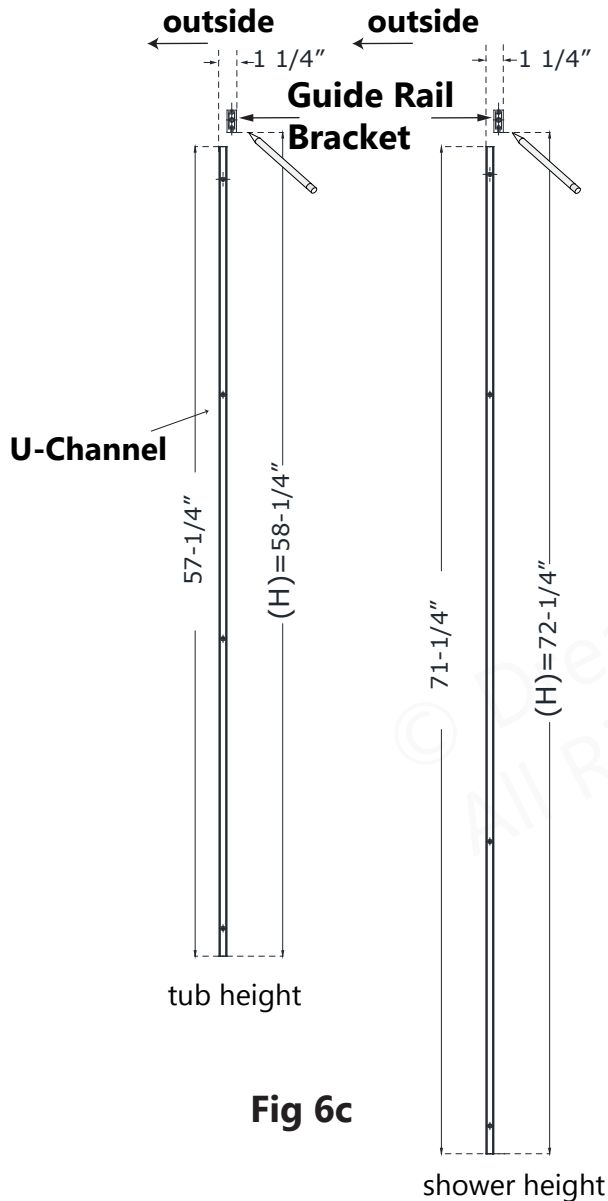


Fig 6c

GUIDE RAIL BRACKET HEIGHT

MODEL HEIGHT	H =
76" shower	72-1/4"
62" tub	58-1/4"

Table 1

7. Hold the **Guide Rail Bracket (#06)** in the marked position on the wall and mark the hole for drilling through the **Guide Rail Bracket (#06)** using a pencil (or center punch). **(Fig 7)**

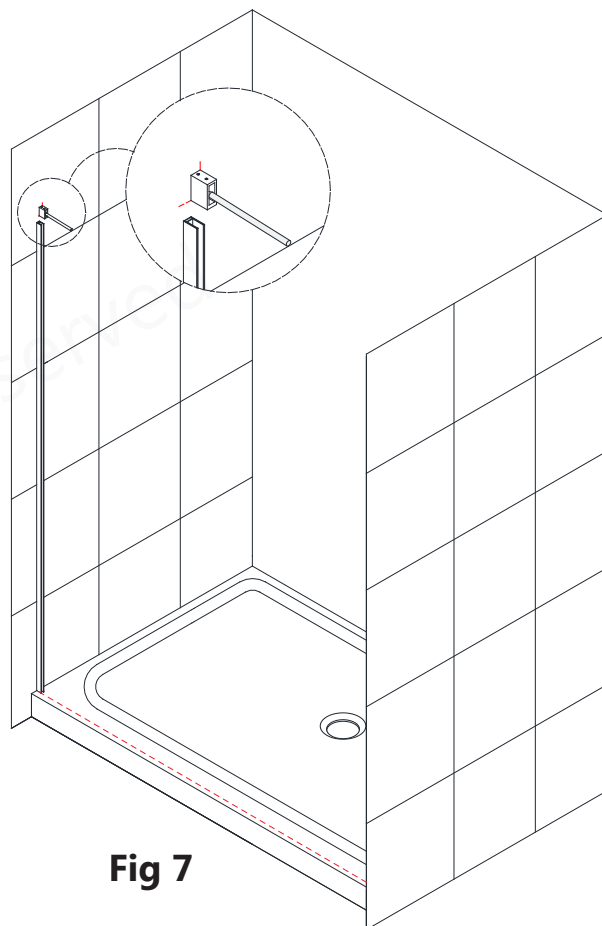
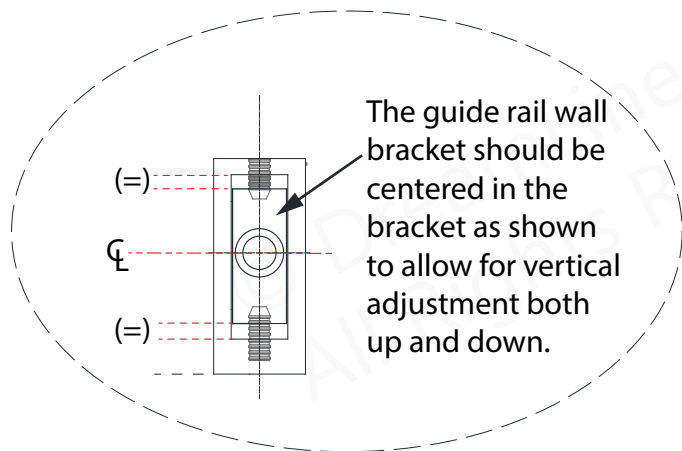
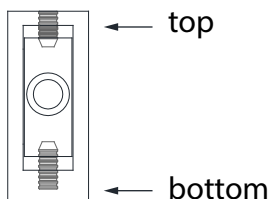


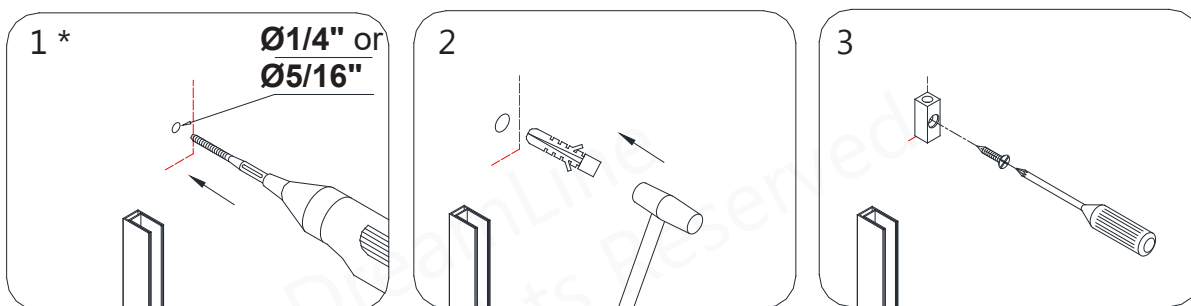
Fig 7



Note that the bottom of the bracket is thicker than the top and must be installed correctly



8. Drill a $\text{Ø}5/16''$ anchor hole and insert a **Wall Anchor (#16)**. (**See note below) Separate the **Guide Rail Bracket (#06)** components (#06a and #06b). Install the **Guide Rail Wall Bracket (#06b)** to the wall using one **ST4.2 x 55mm Countersunk Screw (#21)**. **(Fig 8)**



***NOTE:** Installation of the Guide Rail brackets into a stud or 2"x 6" wood reinforcement is strongly recommended.

****NOTE:** When installing to a stud, drill a $\text{Ø}1/4''$ hole and do not use the anchors.

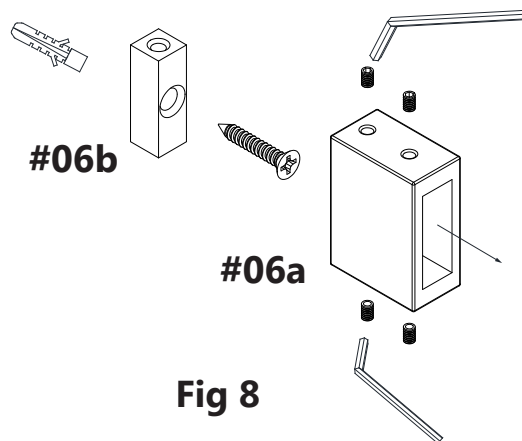
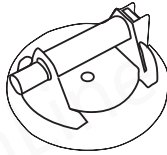


Fig 8

9. Dry fit the **Stationary Panel Glass (#02)** into the installed **U-Channel (For Panel Glass) (#01)**. **Do not use silicone at this time.** (Fig 9)

Use a professional grade glass suction cup if available



Use Caution not to bang the glass into the U-Channel or threshold.

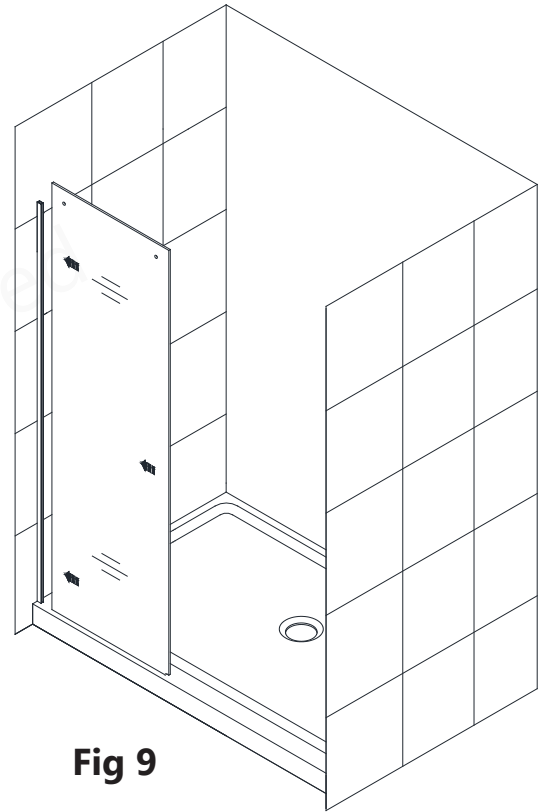


Fig 9

10. Make sure the **Stationary Panel Glass (#02)** is parallel to the front edge of the threshold and mark the position of the glass on the threshold (This line will be different from the line drawn in step#3). Slide the **Guide Block (#12)** into the notch of the **Stationary Panel Glass (#02)**, and align it flush and square with the edge of the glass. Mark its position on the threshold and also mark the hole for drilling using a pencil (or center punch). (Fig 10)

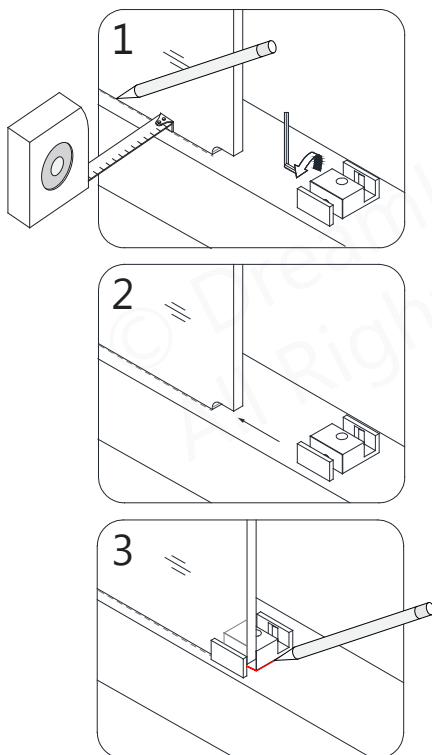
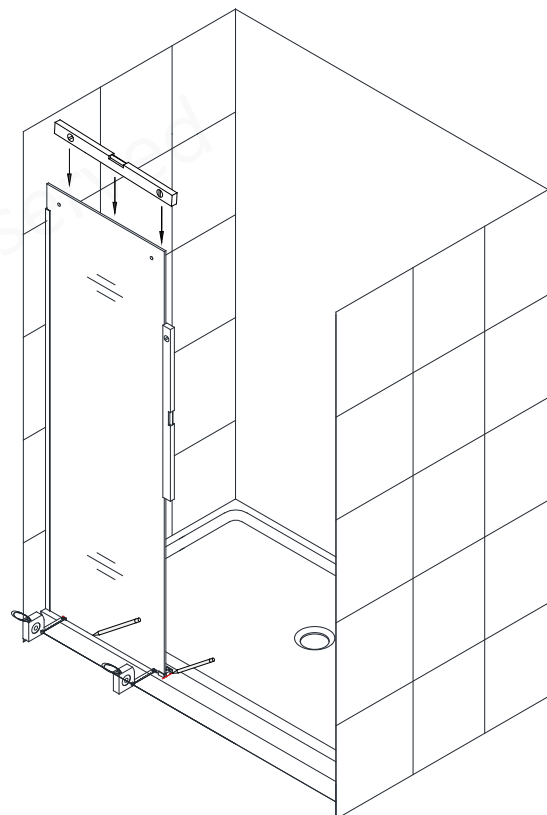


Fig 10



11. Remove the **Stationary Panel Glass (#02)** from the **U-Channel (For Panel Glass) (#01)** and carefully set it aside. **(Fig 11)**

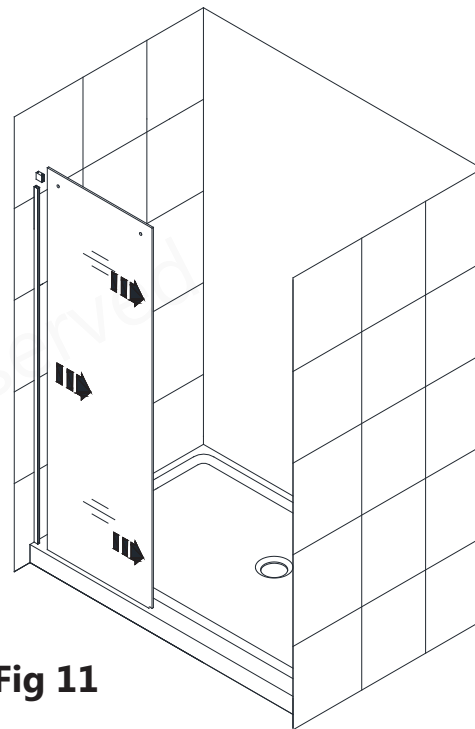


Fig 11

12. To install the **Guide Block (#12)**: Loosen the set screw on the side and remove the **guide block face plate. (Fig 12.1)** Apply silicone to the underside of the **Guide Block (#12)** and screw the **Guide Block (#12)** to the threshold as described below:

***NOTE:**

▪ **For installation into an Acrylic threshold:**

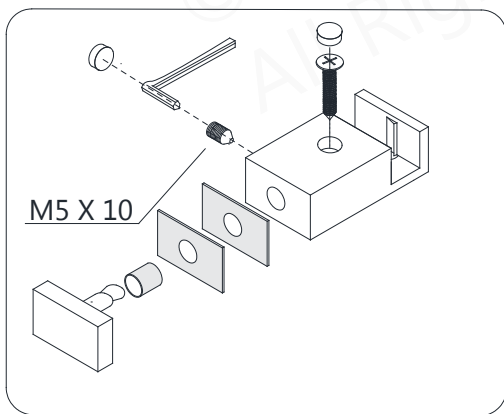
▫ drill an $\text{Ø}1/8''$ (3mm) hole and use the **ST4.0 x 25 Pan Head Screw (#18)**

OR

▪ **For installation into a Tile threshold:****

▫ drill a $\text{Ø}3/16''$ (4mm) hole up to the stud and use the **ST4.0 x 40 Pan Head Screw (#17).** **(Fig 12)**

NOTE: For **Tub** installations: the bottom bracket must be screwed down to the tub deck.



Part#12 - Guide Block (with caps)

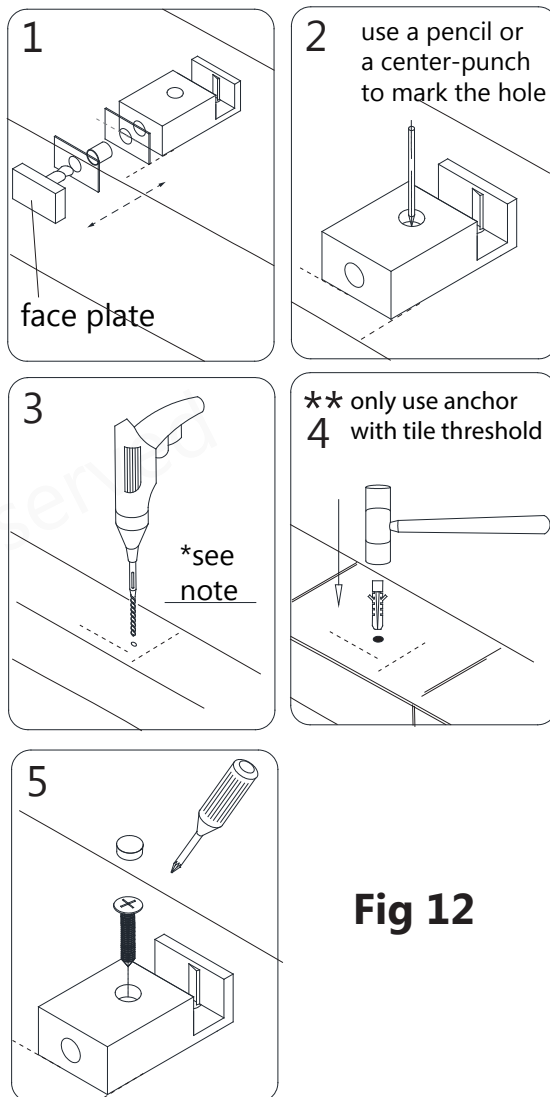


Fig 12



TIP: Bring the **Door Glass** into the shower before the final installation of the **Stationary Panel Glass (#02)** and **Guide Rail (#04)**.



Use Caution not to bang the glass into the U-channel or threshold. Leave the corner protectors on the glass until it is necessary to remove them.

13. Apply silicone into the **U-Channel (For Panel Glass) (#01)**. Slide the **Stationary Glass (#02)** firmly into the installed **U-Channel (For Panel Glass) (#01)**. (**Fig 13**)

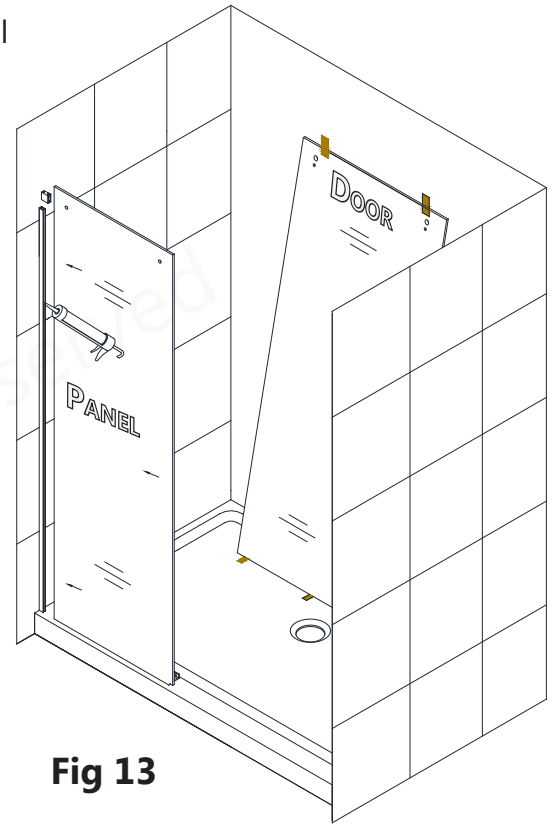
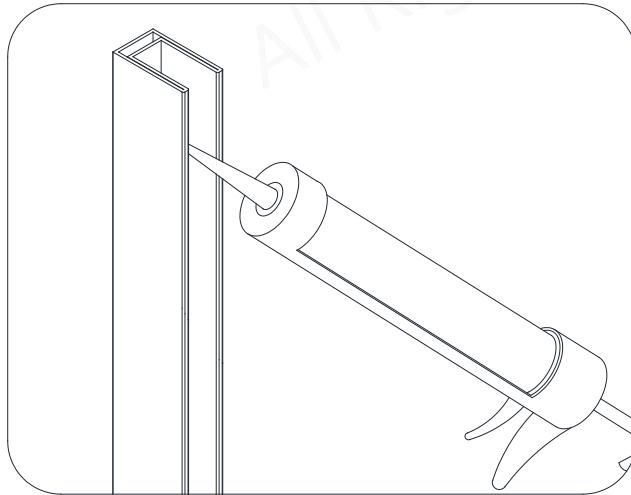
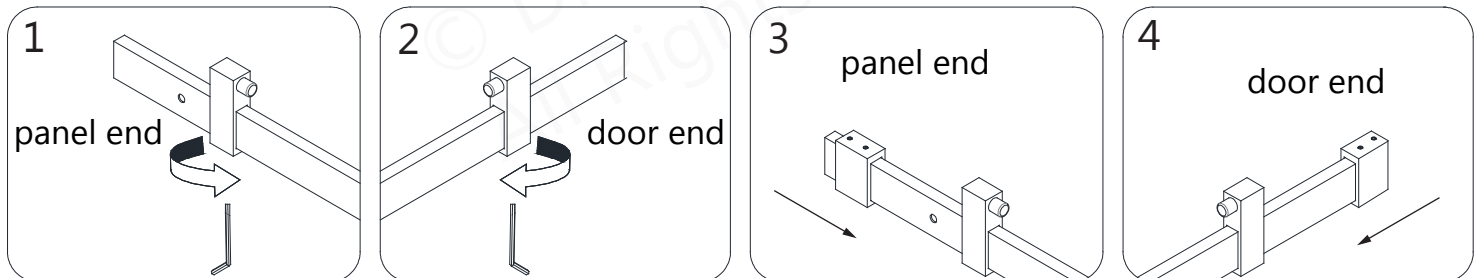
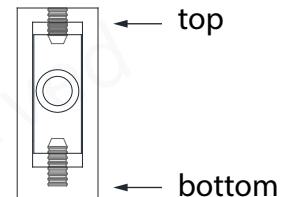


Fig 13

14. Attach the **Stoppers (#05)** and **Guide Rail Brackets (#06)** to both ends of the **Guide Rail (#04)**. (Notice that the bottom of the **Guide Rail Bracket (#06)** is thicker than the top). (**Fig 14**)



NOTE: Be careful not to scratch the guide rail with the brackets and stoppers. Loosen the set screws before installation.



Note that the panel side stopper goes beyond the first glass holder hole

Fig 14

Right-hand door installation shown as example

15. Align the panel end of the **Guide Rail (#04)** with the installed **Guide Rail Wall Bracket (#6b)**. Slide the **Guide Rail Bracket (#06a)** over the **Guide Rail Wall Bracket (#06b)** and tighten the set screws. **(Fig 15)**

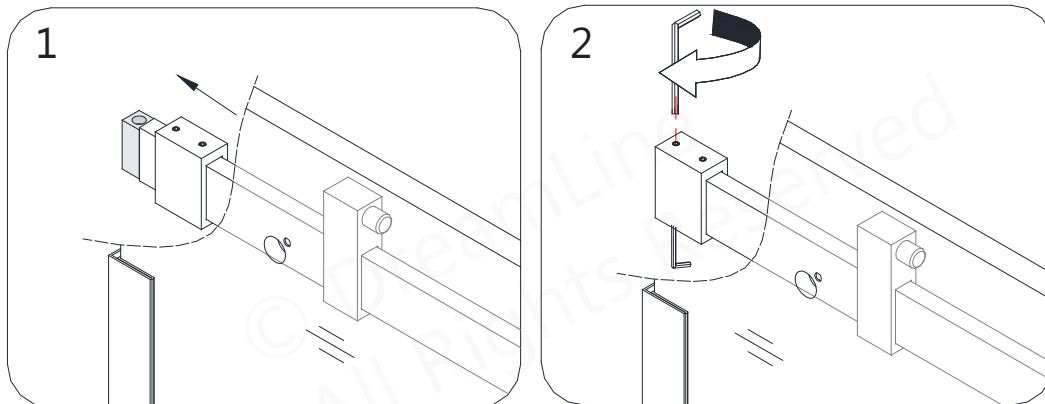


Fig 15



TIP: Leave the set screws that hold the **Guide Rail (#04)** to the **Guide Rail Bracket (#06)** loose for now to allow for side-to-side adjustment of the guide rail to make it easier to align the holes in the guide rail with the holes in the panel glass. **Tighten these set screws after the holes are aligned and the glass brackets are installed.**

16. Attach the **Stationary Panel Glass (#02)** to the **Guide Rail (#04)** using the **Glass Brackets (#07)**. **(Fig 16)**



TIP: Pinch the Guide Rail and Panel glass together to hold the washers in place while inserting the bolt.

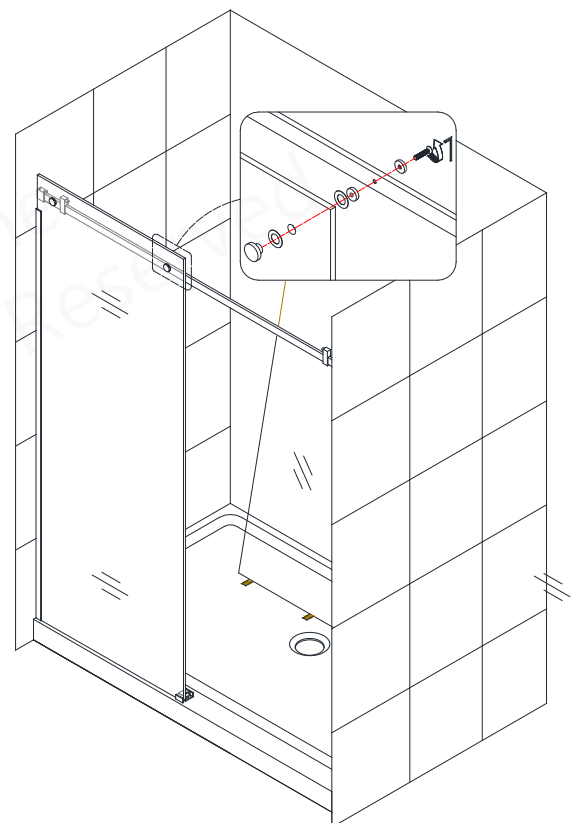
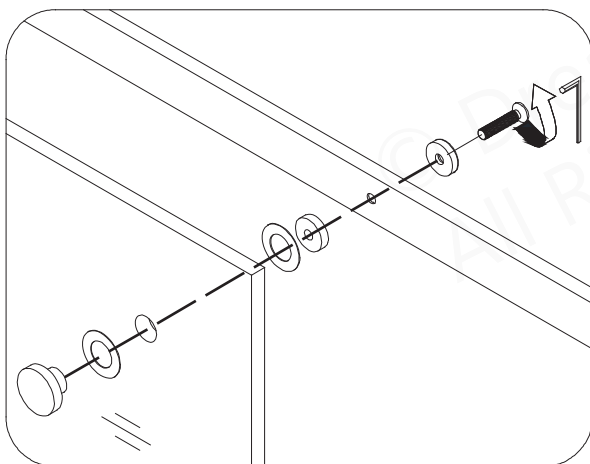
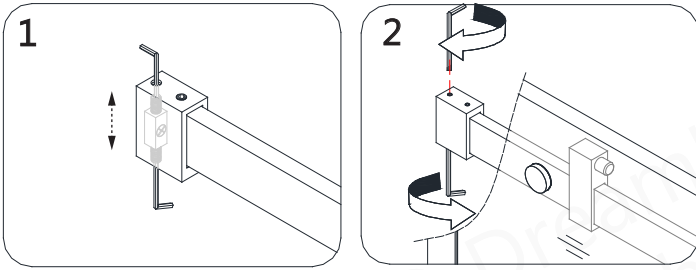


Fig 16

17. Level the **Guide Rail (#04)** across the opening.
 If necessary, use the set screws on the **Guide Rail Bracket (#06)**
 to adjust the level of the **Guide Rail (#04)**.
(Fig 17 and Fig 18)



To lower the rail:

Loosen the top set screw and
 tighten the bottom set screw.

To raise the rail:

Loosen the bottom set screw
 and tighten the top set screw.



NOTE: It is important that
 the guide rail is level when
 marking the position of the
 Guide Rail bracket on the wall.

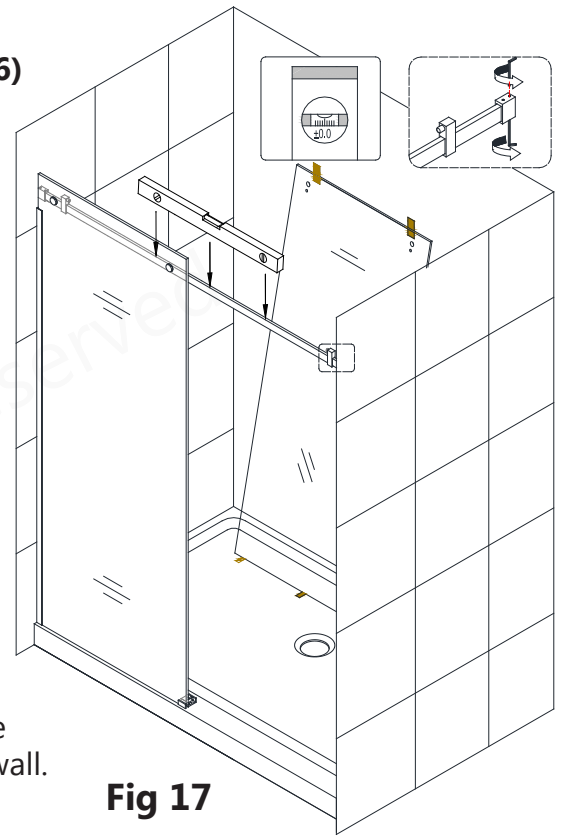


Fig 17

18. Using the reference mark on the threshold from **Step #3**,
 draw a plumb line up the wall on the door side of the
 opening. Measure over **1-1/4"** into the shower from this line.
 With the **Guide Rail (#04)** level, mark the position of the
Guide Rail Bracket (#06) on the wall. **(Fig 18)**

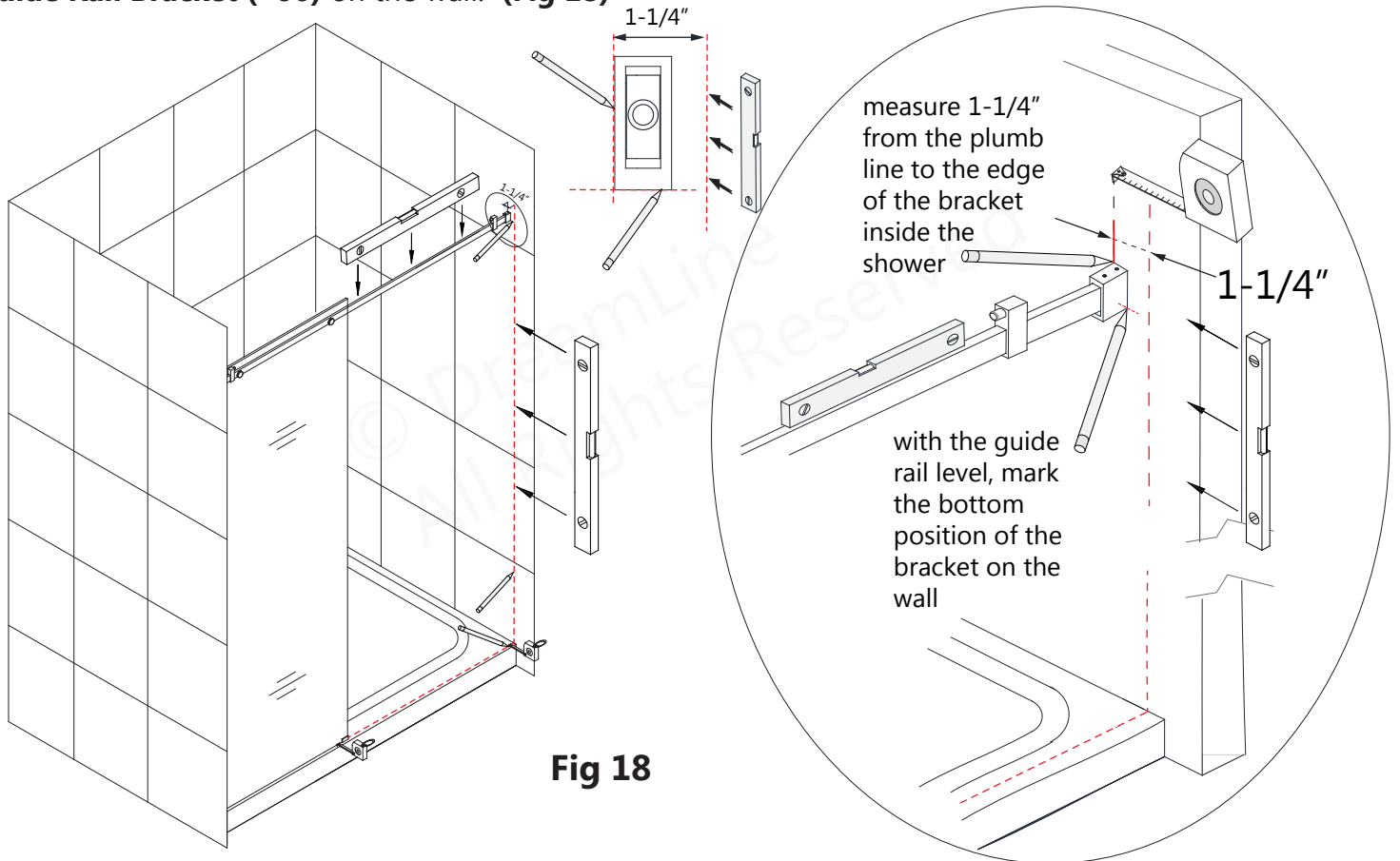


Fig 18

19. Remove the **Guide Rail (#04)** from the **Stationary Panel Glass (#02)**. Remove the **Guide Rail Bracket (#06)** from the **Guide Rail (#04)** from the door end, hold it back in position on the wall and mark the anchor hole. Drill a $\text{Ø}5/16''$ hole. Separate the **Guide Rail Bracket (#06)** components (**06a** and **06b**). Attach the **Guide Rail Wall Bracket (#06b)** to the wall using one **ST4.2 x 55 Countersunk Screw (#21)**. (Fig 19)

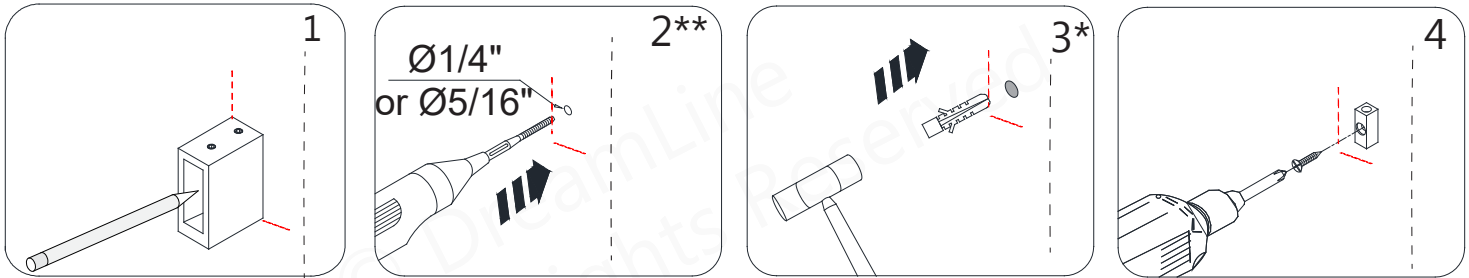
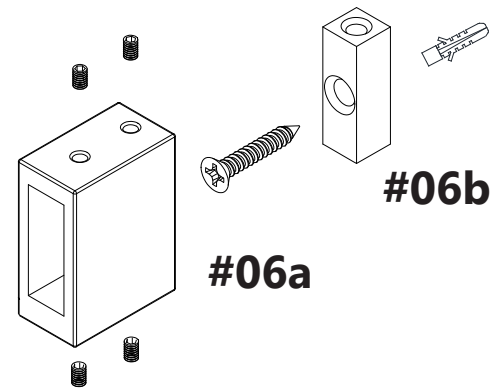


Fig 19



***NOTE:** Installation of the Guide Rail brackets into a stud or 2"x 6" wood reinforcement is strongly recommended. Do not use the Wall Anchor (#16) when installing into a stud/wood).

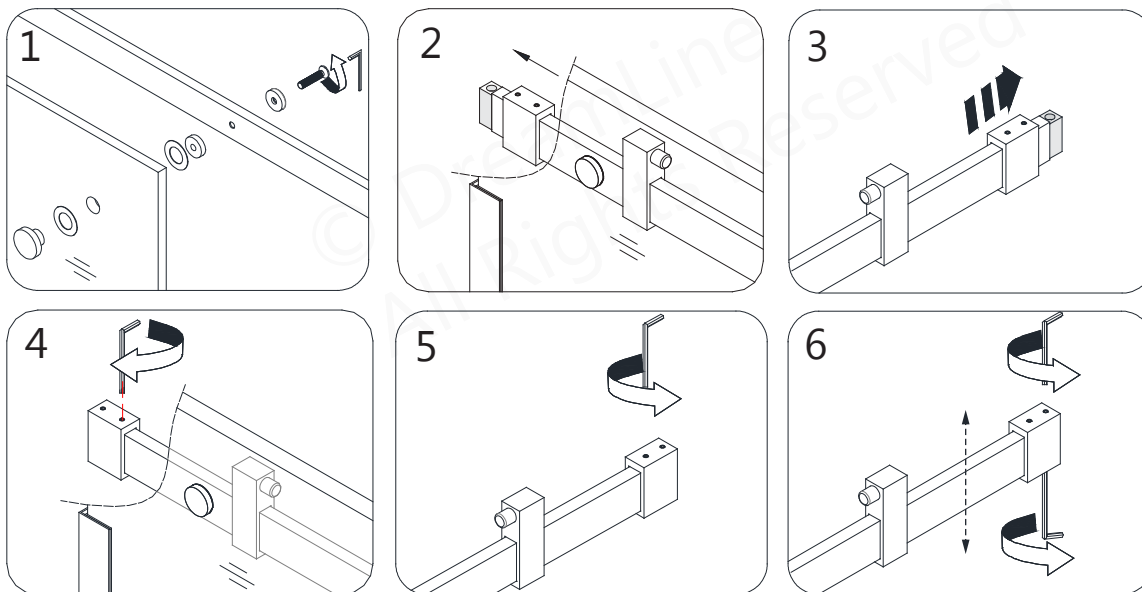
****NOTE:** When installing to a stud, drill a $\text{Ø}1/4''$ hole and do not use the anchors.



20. Re-attach the **Guide Rail (#04)** to the **Stationary Panel Glass (#02)** and attach the **Guide Rail Brackets (#06)**. (Fig 20)



NOTE: Be careful not to scratch the upper rail while sliding the brackets onto the guide rail.



To lower the rail:
Loosen the top set screw and tighten the bottom set screw.
To raise the rail:
Loosen the bottom set screw and tighten the top set screw.

Fig 20

21. Measure the distance from the edge of the **Guide Block (#12)** to the wall. This distance will be (L). Cut the **Anti-Splash Threshold (#11)** to the size of: (L). (**Fig 21**)

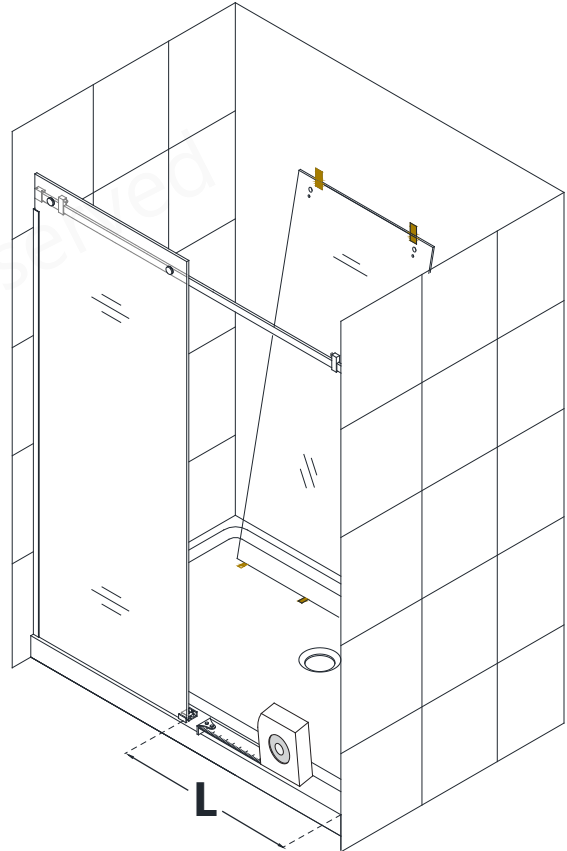
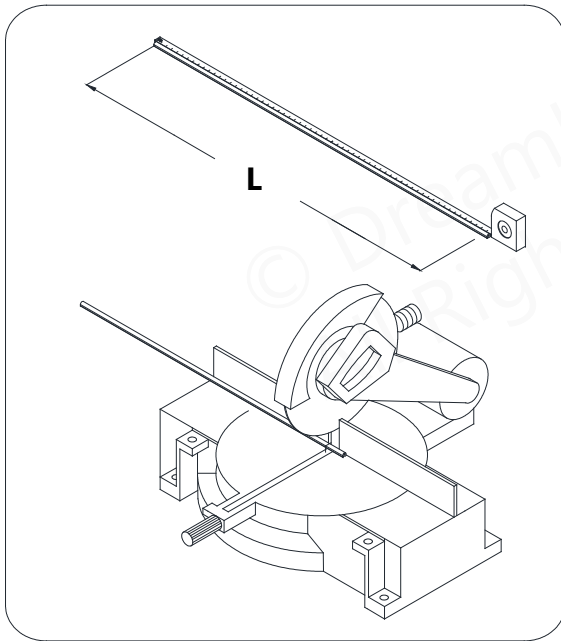
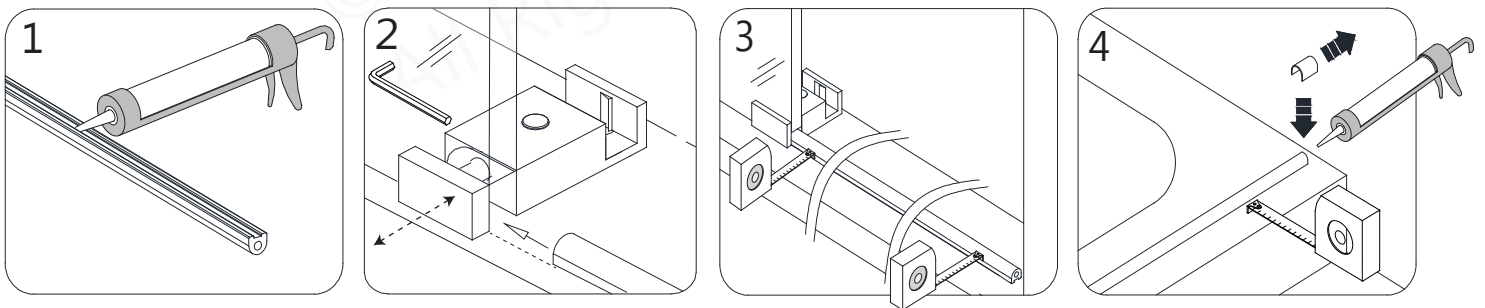


Fig 21

22. Apply silicone to the bottom of the **Anti-Splash Threshold (#11)**. Remove the **face plate** from the **Guide Block (#12)**. Insert one end of the **Anti-Splash Threshold (#11)** fully into the **Guide Block (#12)** and replace the **guide block face plate**.

Align the **Anti-Splash Threshold (#11)** parallel with the front edge of the shower base or threshold. Cover the other end of the **Anti-Splash Threshold (#11)** with the **Threshold End Cap (#10)**. Apply a small amount of silicone onto the threshold and the wall to prevent leakage. (**Fig 22**)



Right hand door installation shown as example

Fig 22

23. Secure the **Anti-Splash Threshold (#11)** to the threshold with several pieces of painter's tape to hold it in position tight to the threshold until the silicone cures. **(Fig 23)**



Painter's Tape



NOTE: DO NOT install the handle onto the door glass until instructed.

DO NOT attempt to lift the glass using the handle. This could result in damage to the glass and/or serious personal injury. Always use an assistant or a professional grade glass suction cup when handling heavy glass.

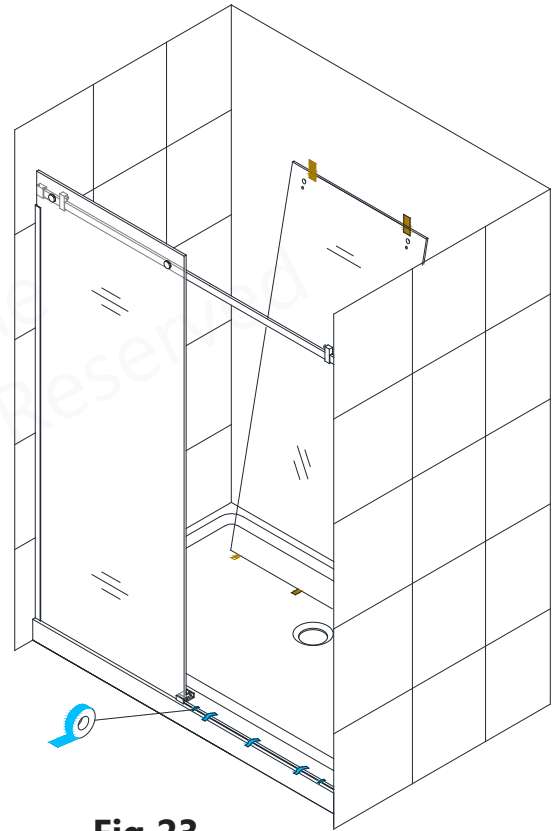
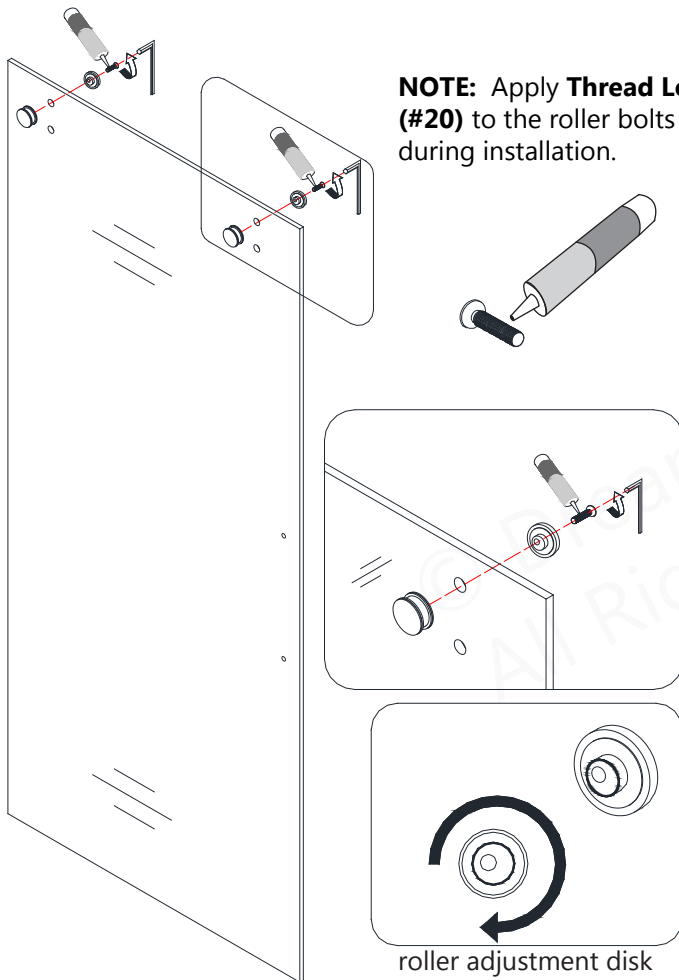


Fig 23



NOTE: Apply **Thread Lock (#20)** to the roller bolts during installation.

24. Attach the **Rollers (#08)** to the **Door Glass (#03)** with the wheels facing out. Apply **Thread Lock (#20)** to the roller bolts during installation. **(Fig 24)**

NOTE: The roller adjustment disks can be rotated to tilt the door glass slightly for a better seal into the **U-Channel (For Door Glass) (#27)** that will be installed in Step #29.

To adjust the **Rollers (#08)**: Support the weight of the door glass with a shim or a glass suction cup. Loosen the roller bolt and rotate the adjustment disk to raise or lower the edge of the door glass. Hold the adjustment disk in place with a small allen wrench and fully tighten the bolt.

Fig 24

25. Align the bottom of the **Door Glass (#03)** with the **Guide Block (#12)** and hang the door from the **Guide Rail (#04)**. (**Fig 25**)



TIP: Place a pair of 1/2" shims onto the threshold while installing the **Door Glass** onto the **Guide Rail**. Remove the shims once the door is supported by the guide rail.

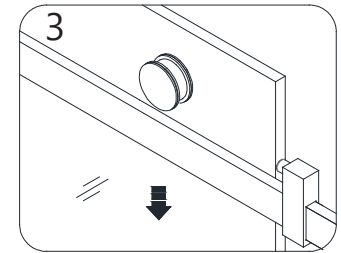
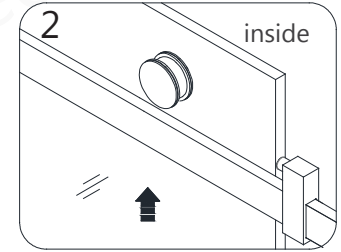
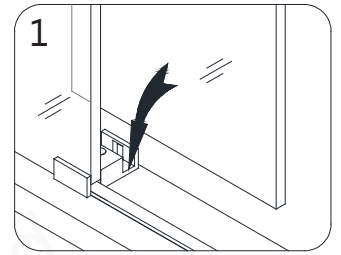


Fig 25

26. Attach the lower **Rollers (#08)** onto the **Door Glass (#03)** just below the **Guide Rail (#04)** with the wheels facing out. Apply **Thread Lock (#20)** to the roller bolts. Rotate the roller adjustment disk to raise these lower wheels tight to the **Guide Rail (#04)** and **tighten the bolts**. (**Fig 26**)

NOTE: Apply **Thread Lock (#20)** to the roller bolts during installation.

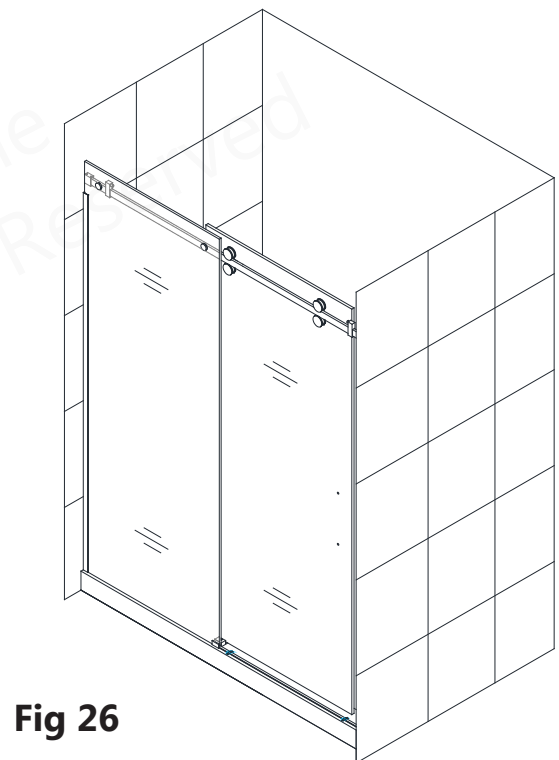
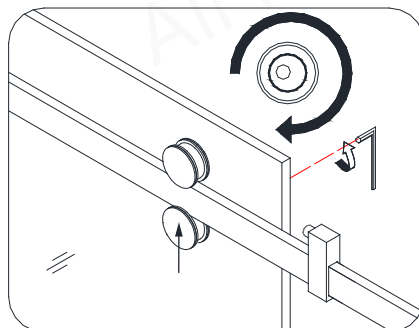
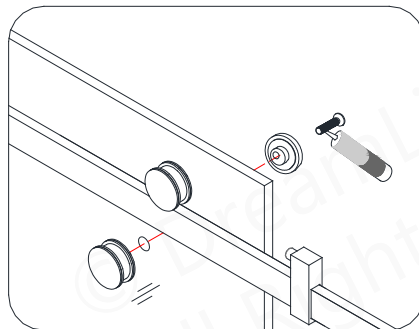
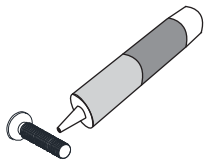


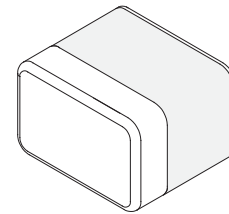
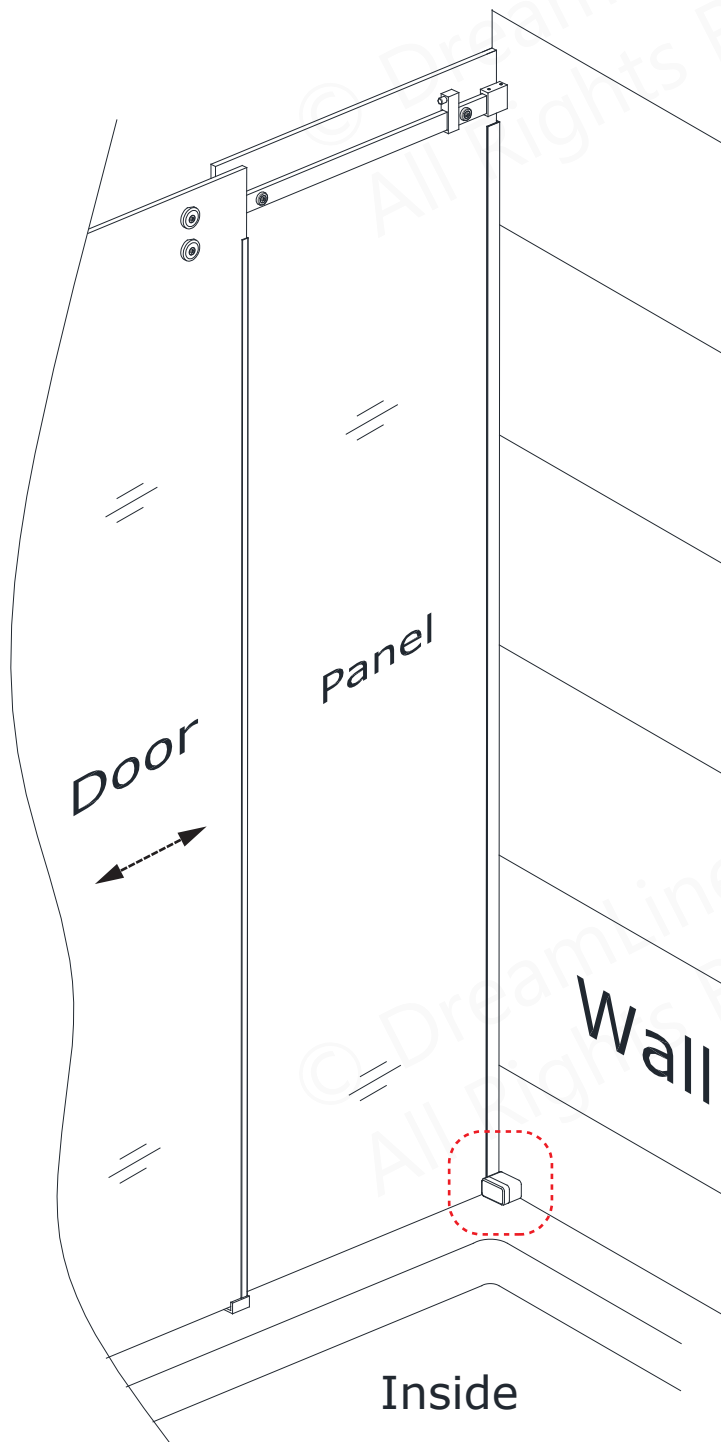
Fig 26

27. To install the **SafeStop™ Bumper (#26)** with the **3M tape**: Remove the **3M Tape** backing and position the **SafeStop™ Bumper (#26)** onto the threshold against the **U-Channel (#01)** on the stationary panel side of the installation. (**Fig 27**)



NOTE: The surfaces need to be clean and free of construction debris before installing the bumper. Wipe the area with an alcohol swab before installation

TIP: Install the **SafeStop™ Bumper (#26)** using the **3M tape**. Screwing the **Bumper** to the wall using a **5/16"** hole and anchor is optional (see step 28).



The **SafeStop™ Bumper (#26)** is reversible for Left (as shown below from inside the shower) or Right wall installation

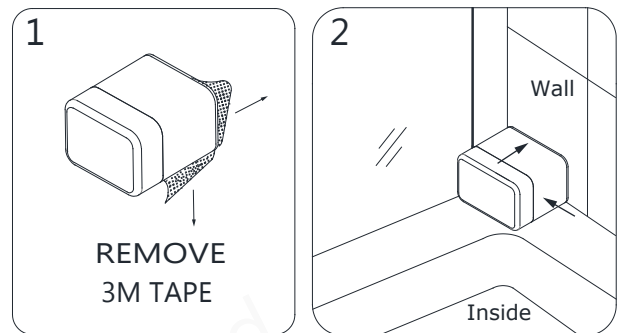


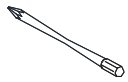
Fig 27

28. To install the **SafeStop™ Bumper (#26) with the screw method:** Remove the PVC insert and position the **SafeStop™ Bumper (#26)** onto the threshold and against the u-channel on the stationary panel side of the installation and mark the position of the hole on the wall. Drill a **Ø5/16"** hole and insert the **5/16" Wall Anchor (#16)**. Remove the **3M Tape** backing and position the **SafeStop™ Bumper (#26)** onto the threshold against the **U-Channel (#01)**. Screw to the wall using the **ST4.2 x 55 Countersunk Screw (#21)** and re-insert the PVC insert. **(Fig 28)**

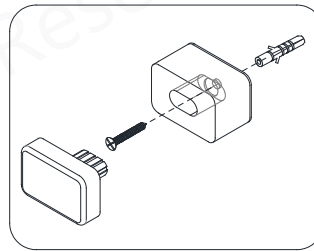
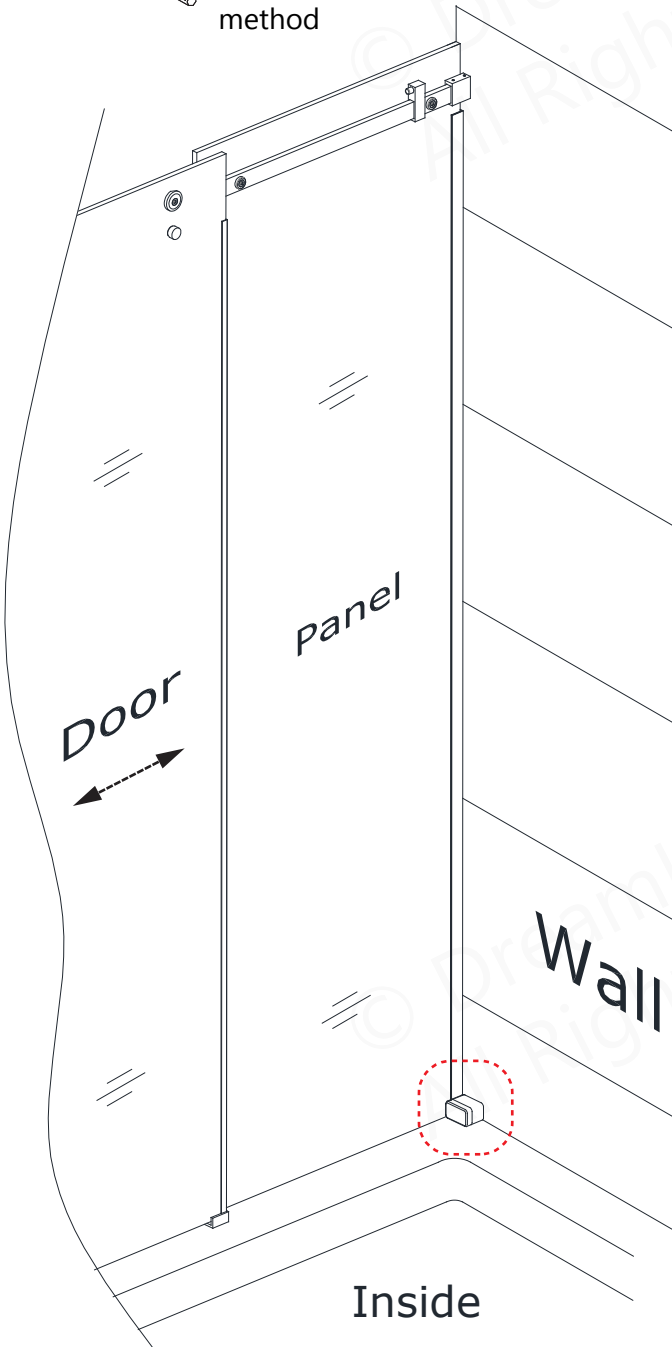


NOTE: The surfaces need to be clean and free of construction debris before installing the bumper. Wipe the area with an alcohol swab before installation.

TIP: When using the screw method, use caution to not crack the wall/tile and to avoid any plumbing behind the wall.



A Phillips head Extender driver bit is recommended for the screw installation method



The **SafeStop™ Bumper (#26)** is reversible for Left (as shown below from inside the shower) or Right wall installation

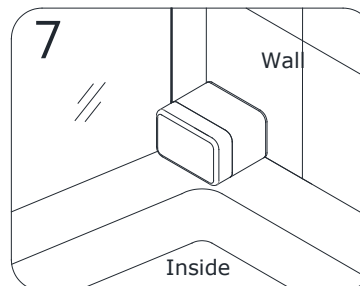
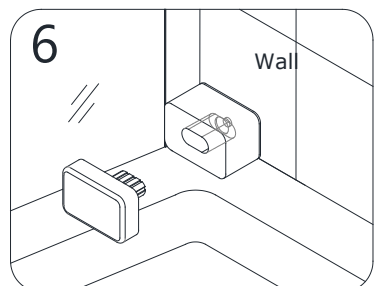
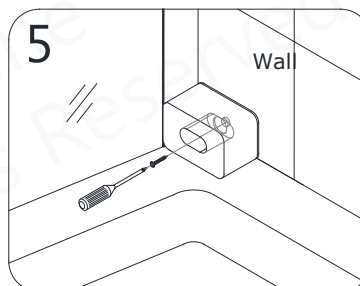
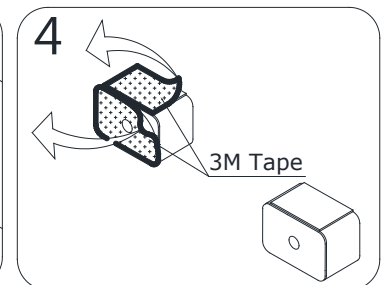
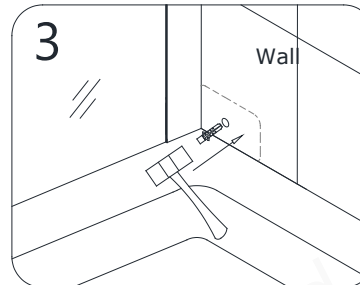
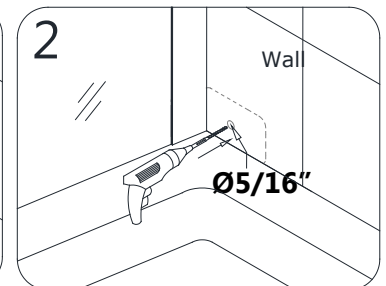
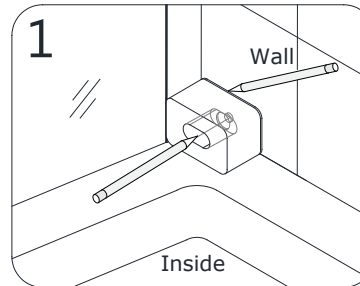


Fig 28

29. Hold the **U-Channel (For Door Glass) (#27)** against the wall on the door side of the opening to align it with the door glass and mark its position on the wall.

****Partially insert two of the SafeClose™ Bumper Inserts (#28) at the top and bottom and close the door into the U-Channel (For Door Glass) (#27).**

Mark the position of the **U-Channel (For Door Glass) (#27)** on the wall along the outside edge. Open the door, hold the **U-Channel (For Door Glass) (#27)** in place on the wall and mark the holes for drilling.

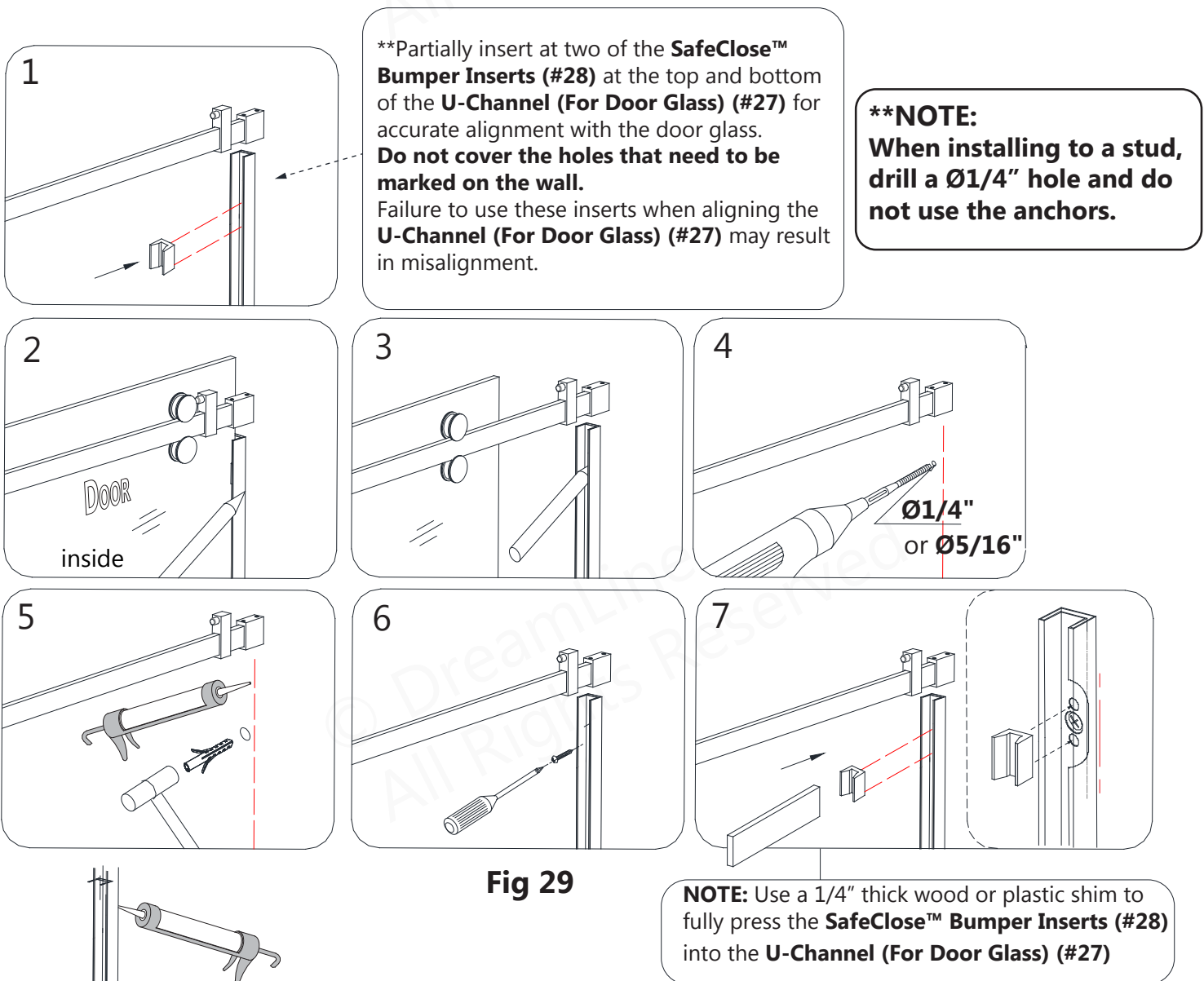
Remove the **U-Channel (For Door Glass) (#27)** and the **SafeClose™ Bumper Inserts (#28)**.

Drill $\text{Ø}5/16''$ anchor holes and insert the **Wall Anchors (#16)**.

Apply a bead of silicone to the wall or to the back of the **U-Channel (For Door Glass) (#27)**.

Install the **U-Channel (For Door Glass) (#27)** to the wall using the **ST4.0 x 40mm Pan Head Screw (#17)**.

Use a $1/4''$ thick wooden or plastic shim to fully press the **SafeClose™ Bumper Inserts (#28)** into the smaller holes in the **U-Channel (For Door Glass) (#27)**. (Fig 29)

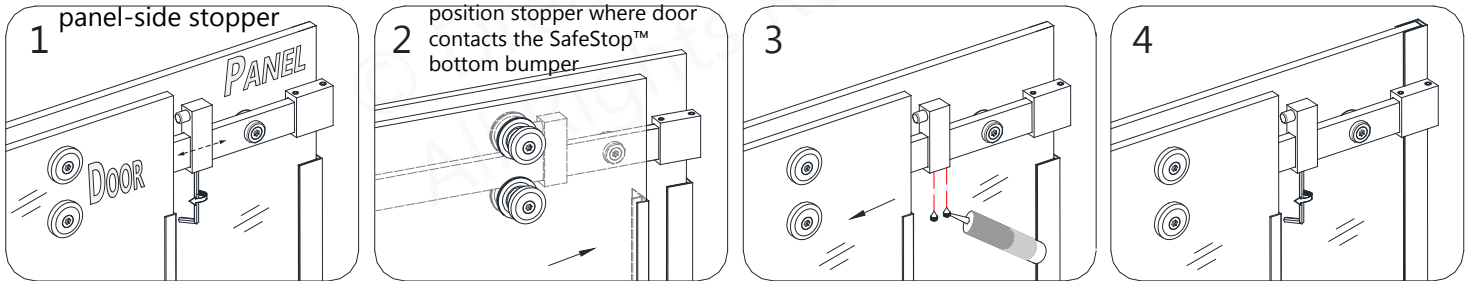


Apply a bead of silicone to the wall or to the back of the **U-Channel**

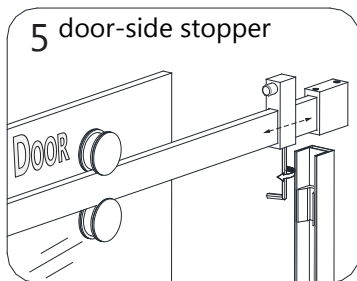
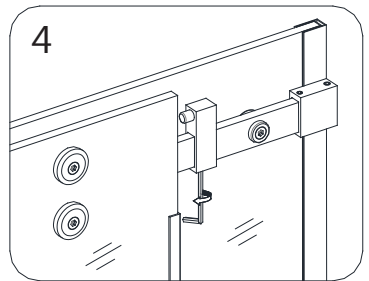
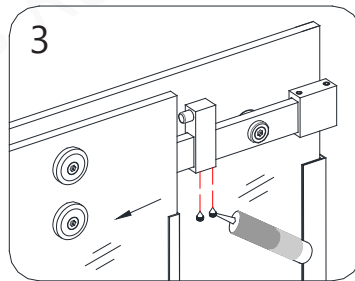
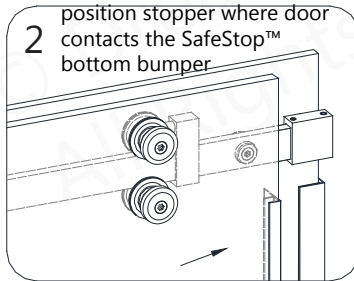


TIP: Cover the shower/tub drain before removing the set screws to prevent loss.

30. Remove the set screws from the **panel-side Stopper (#05)** and apply **Thread Lock Adhesive (#20)** to each set screw. Re-insert the set screws into the stopper. Open the door and position the stopper where the door glass makes contact with the **SafeStop™ Bumper (#26)** at the bottom. Tighten the set screws firmly to the **Guide Rail (#04)**. Repeat the same steps for the door-side **Stopper (#05)**, positioning it to make contact with the **Roller (#08)** when the door is seated into the **SafeClose™ Bumper Inserts (#28)**. Once the **Thread Lock Adhesive (#20)** is applied to the set screws, reinsert them into the **Stopper (#05)** and tighten firmly to the **Guide Rail (#04)**. (**Fig 30**)



inside



outside

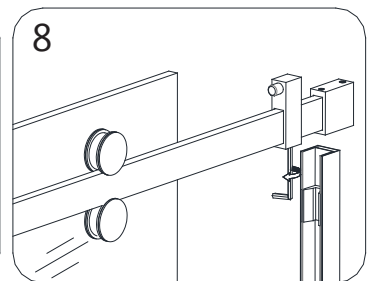
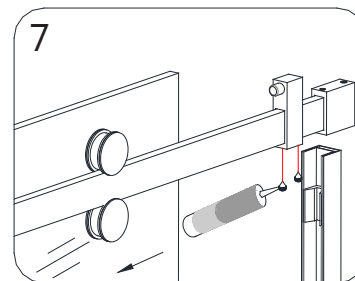
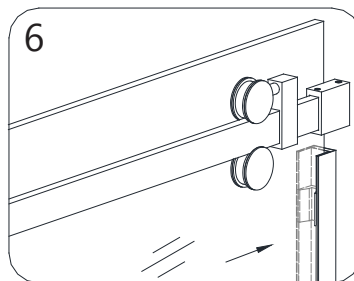
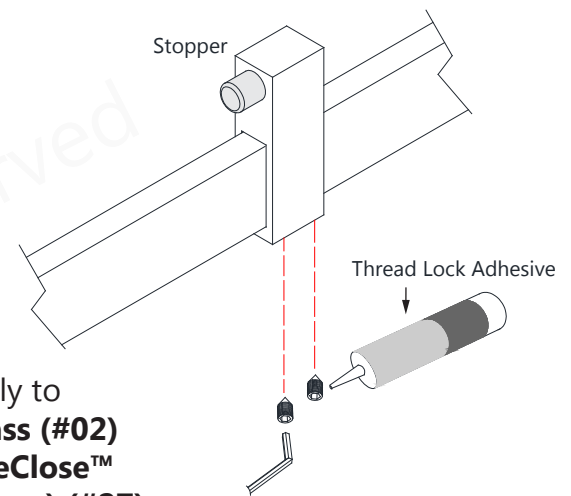


Fig 30



*****Position the Panel-side stopper so that the door glass makes contact with the stopper and the SafeStop™ bottom bumper at the same time.**



NOTE: The **Stoppers (#05)** must be positioned correctly to prevent the handle from contacting the **Stationary Glass (#02)** and to stop the **Door Glass (#03)** as it fits into the **SafeClose™ Bumper Inserts (#28)** in the **U-Channel (For Door Glass) (#27)**



* **Stopper Locations as measured from the wall to the center of the stopper:**

- Panel side: 5" (+/- 1/16") where the door makes contact with the bottom bumper
- Door side: 3-1/2" (+/-) (depends on opening conditions)

31. Attach the **Handle (#15)** to the outside of the **Door Glass (#03)** Make sure all gaskets are in place.

Attach the **Anti-Water Strips (#13)** to the edges of the **Stationary Panel Glass (#02)** and **Door Glass (#03)** where they overlap. **(Fig 31)**

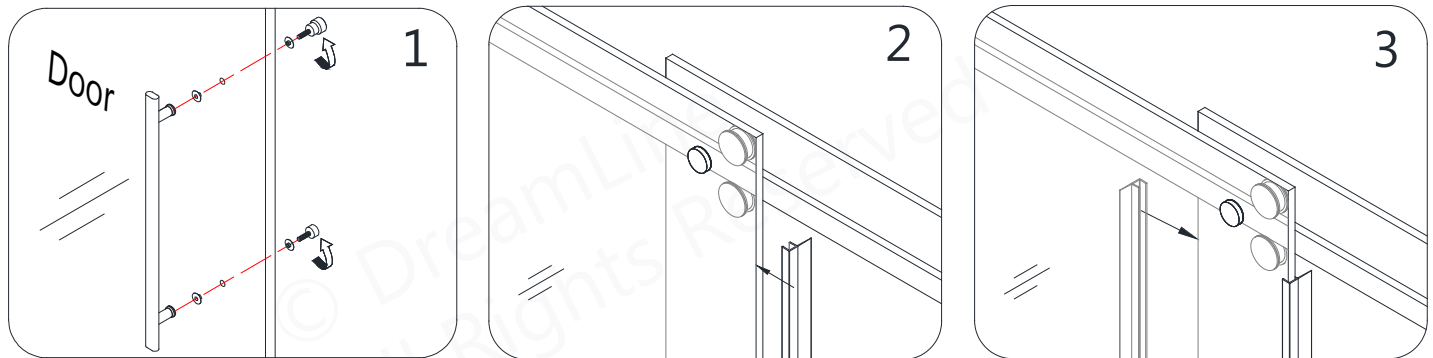


Fig 31

32. Apply good quality mildew-resistant silicone along the connection of the u-channels with the walls and the stationary glass with the threshold. **(Fig 35)**



Allow 24 hours for the silicone to fully cure before using the shower.

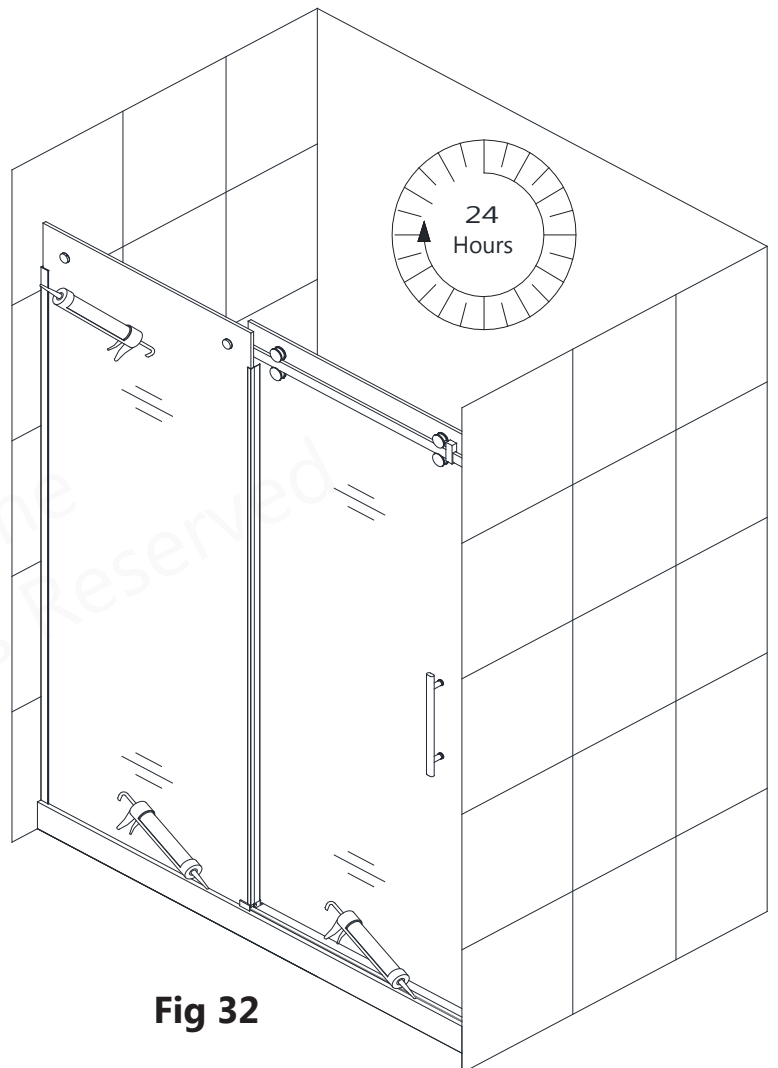


Fig 32

Product Maintenance

BASES and BACKWALLS: To ensure long-lasting life for your acrylic back walls, wipe them off after each use with a soft cloth. To clean the acrylic back walls use non-abrasive sprays or cream based cleaners. Avoid the use of aerosol spray cleaners. Never use abrasive cleansers, metal brushes or scrapers that could scratch or dull the surface.

GLASS: To ensure long-lasting life for your glass shower products, wipe them off after each use with a soft cloth. Rinse and wipe off the glass using either a soft cloth or a squeegee to prevent soap buildup and water spots (Hard water can etch the surface of the glass over time if left to dry). To prevent scratching the surface: never use abrasive cleaners or cleaning products that contain scouring agents. Never use bristle brushes or abrasive sponges that may scratch the surface.

HARDWARE: To ensure a long-lasting finish, wipe off the metal parts after each use with a soft cloth. Do not use abrasive cleaners or cleaning products containing ammonia, bleach or acid. If accidentally used, rinse the surface as soon as possible to prevent damage to the finish (peeling or corrosion). After cleaning the polished finishes, rinse thoroughly and wipe dry with a soft cloth. Clean stainless steel surfaces at least once a week. When applying stainless steel cleaner or polish to stainless steel hardware, work with (not across) the grain. Never use an abrasive sponge or cloth, steel wool or wired brush as these may permanently scratch the surfaces.

NOTE: To maximize the life of your door, it is important to regularly inspect the glass and all hardware for misalignment, proper attachment, and/or damage. Contact DreamLine® with any questions or concerns.

DreamLine® shower doors and enclosures are designed not to leak when installed properly and the flow of water is not pointed directly at the vinyl seals.

© DreamLine
All Rights Reserved

Enigma-Sky Maintenance Checklist

- Guide rail** level and tight
- Guide rail brackets** tight to the walls
 - o All set screws tight
- Inline Panel glass** secure
- Panel glass brackets** tight
- Guide block** square to the threshold and glass
- Proper clearance beneath the door glass: between the threshold and within the guide block
- Door Glass** adjusted so that the door closes firmly into the bumper inserts in the u-channel
- Wheel assemblies** tight
 - o Wheel **roller bolts** tight
- Stoppers** tight and positioned correctly
 - o **Panel-side stopper** set screws tight and secured to the guide rail
 - o Adequate **Handle clearance** when the door is fully open
 - o **Door-side stopper** positioned correctly and set screws are tight
- SafeStop™ bumper** secured to the wall and threshold
- Remove the vinyl seals to **inspect the edges of the door glass** for concealed damage
 - o **Damaged glass must be replaced!**
- Replace damaged or missing vinyl seals

© DreamLine
All Rights Reserved

© DreamLine
All Rights Reserved



© DreamLine
All Rights Reserved

TEL: 866-731-2244
FAX: 866-857-3638
DREAMLINE.COM

For more information on DreamLine® Shower Doors and Enclosures please visit **DreamLine.com**