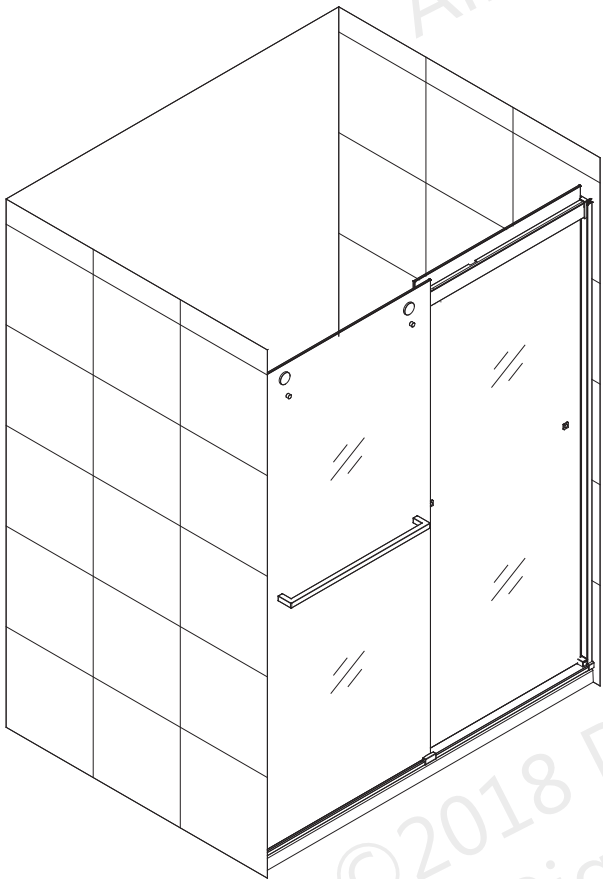


SAPPHIRE

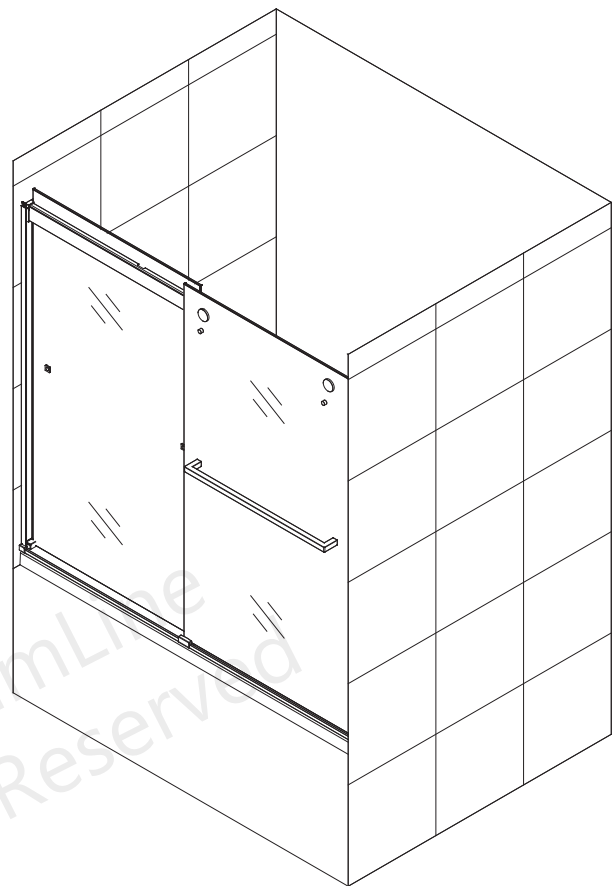
SHOWER AND TUB DOOR INSTALLATION INSTRUCTIONS

IMPORTANT

DreamLine[®] reserves the right to alter, modify or redesign products at any time without prior notice for the purpose of product improvement and customer experience. Please refer to the model's web page on **DreamLine.com** for the latest technical drawings, installation manuals, warranty information or additional product details.



MODEL #s
SHDR-6348762-##
SHDR-6360762-##



MODEL #s
SHDR-6360602-##

= finish
01 - Chrome
04 - Brushed Nickel

Please review this entire manual prior to installation



Questions?

Please Call **DreamLine Customer Support: 1-855-831-2126**
Hours of Operation M-F 8AM - 7PM EST and Saturday 9AM - 5PM EST

Support@DreamLine.com



For more information about DreamLine[®] Shower Doors, Tub Doors & Enclosures, please visit **DreamLine.com**



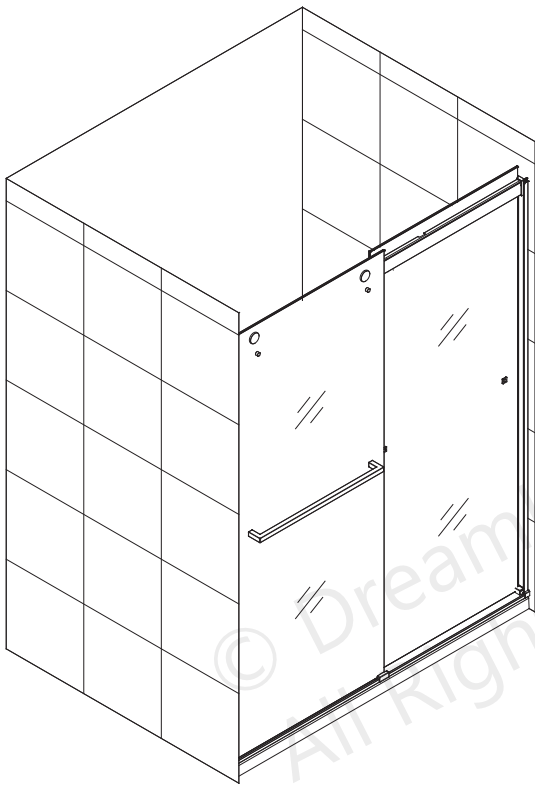
This model is treated with DreamLine's exclusive ClearMax™ Glass technology. This is a specially formulated coating that prevents the buildup of soap and water spots.

Install the surface with the ClearMax™ label towards the inside of the shower. Please note that depending on the model, the glass may be coated on either one or both surfaces.

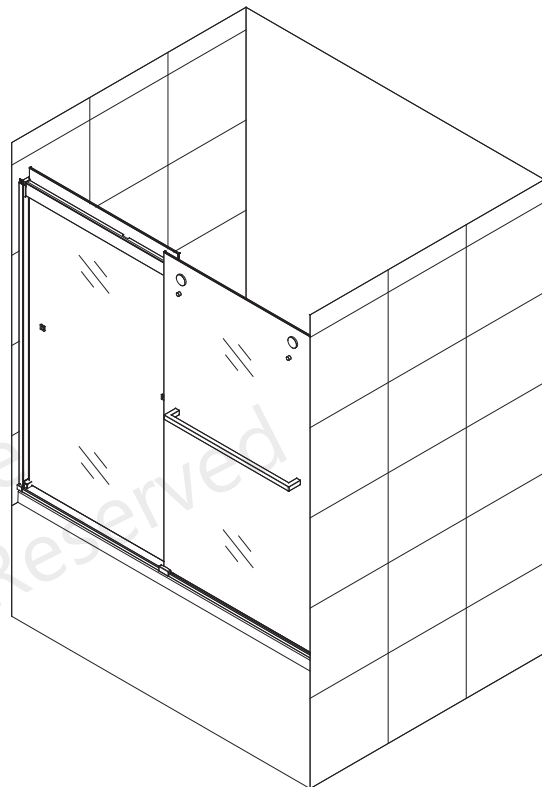
For best results, squeegee the glass after each use and dry with a soft cloth.

Table of Contents

Section Title	Page #
Preparation	3
Tools	4
Detailed Diagram of Shower Door Components	5
Parts List	6
Installation Steps	7-22
Center Guide Block Installation	11-12
Roller Assembly	18
Roller Guards	20-21
Product maintenance	23



shower height 76"



tub height 60"



These instructions will show the installation of the shower height model as an example. Please follow the same steps for the installation of the tub height model.

Preparation

1. Prior to installation, examine all boxes and packages for shipping damage and compare the piece count with your packing slip. After opening all boxes and packages read this introduction carefully. Check that all of the needed parts are included in the package by checking off the components on the "Detailed Diagram of Shower Door Components". If the unit has been damaged, has a finishing defect, or has missing parts, please contact our customer support department within **3 business days** of the delivery date. **Please note that DreamLine® will not replace any damaged products or missing parts free of charge after 3 business days or if the product has been installed.** Contact DreamLine® if you have any questions and please provide an order number, job name or other proof of purchase to help identify the original order.
2. Please note that you should **consult your local building codes with questions on installation compliance standards.** Building and plumbing codes may vary by location, and **DreamLine® is not responsible for code compliance standards for your project and will not accept any returns.**
3. If this unit is going to be installed in a new construction, please install all of the required plumbing and drainage before installing the shower. Use a competent and licensed (if required by local code) plumber for all plumbing installation.
4. Please make sure that prior to beginning the installation, the surfaces are leveled and solid and will be able to support the total weight of the unit. Also make sure the walls are at right angles. Irregular installation surface level, radius corners or improper angle of side walls will result in serious problems for your installation. Please, note that some adjustments and drilling might be necessary during the installation process.
5. Please protect all primary surfaces of the product during installation. Never set your glass down directly onto a tile floor. Leave corner protectors in place until necessary to remove them. Always use a piece of wood or cardboard to protect the bottom edge and corners of the glass prior to and during installation.
6. This unit must be installed upon a finished threshold and against finished walls.
7. **This model requires drilling into the threshold for proper installation. Contact the manufacturer of the base or tub with any questions regarding the drilling of holes into their product.**
8. **This model can accommodate up to 1/4" of out-of-plumb by adjusting the rollers on the door glass. See Page # 24 for details.** Use a level to verify that your walls are within 1/4" of plumb before proceeding with the installation.
9. **Threshold must be level for proper installation.**
10. **NOTE:** This model requires a **minimum 3" of flat level threshold space. See Fig 3a on Page #9.**
11. These instructions will show the installation of the shower height model as an example. Please follow the same steps for the installation of the tub height model.
12. **Professional installation recommended.**

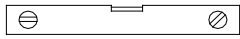


This product should be installed by someone familiar with the construction requirements for this type of project and the care necessary for the safe installation and operation of the product.

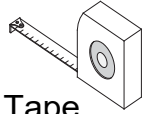


NOTE: DO NOT install the towel bars onto the glass until instructed.
DO NOT lift the glass using the towel bars. This could result in damage to the glass and/or serious personal injury. Always use an assistant or a professional grade glass suction cup when handling heavy glass.

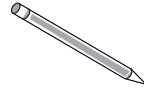
Tools



Level



Tape Measure



Pencil



Drill bit
(Ø5/16")
(8mm)



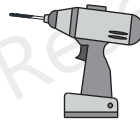
Drill bit
(Ø1/8")
(3mm)



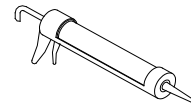
Phillips
Screwdriver



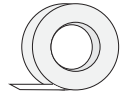
Hammer



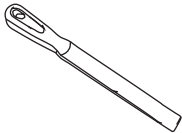
Power
Drill



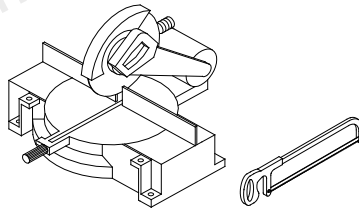
Silicone



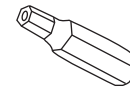
Painter's Tape



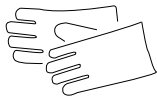
Metal File



Miter saw or Hacksaw



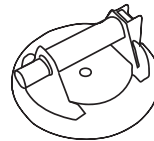
HexHead driver bits
2.5mm, 3mm, 4mm



Work Gloves



Safety Glasses



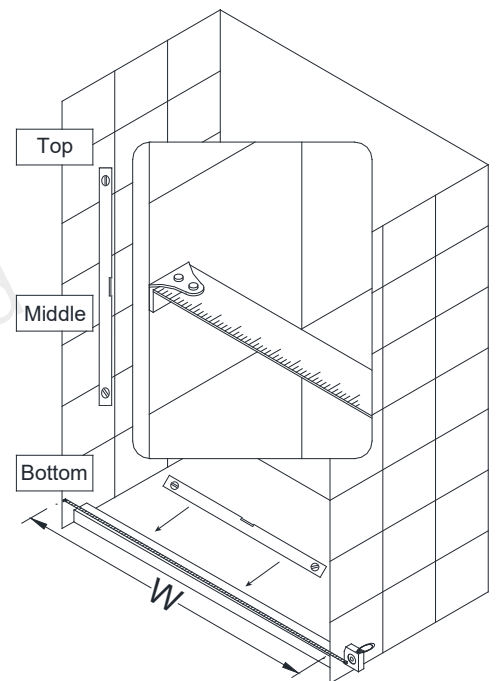
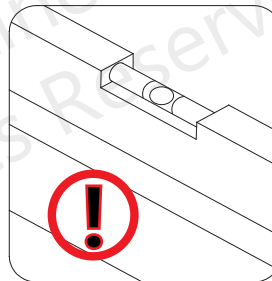
Professional grade
Glass suction cup

Tip: Measure the finished opening before proceeding with the installation to be sure that the correct model size has been ordered.

Tip: Prior to installation, cover the shower/tub drain with tape to prevent losing screws or small parts.

Tip: Set screw gun clutch to low setting when installing screws and bolts to prevent stripping the heads.

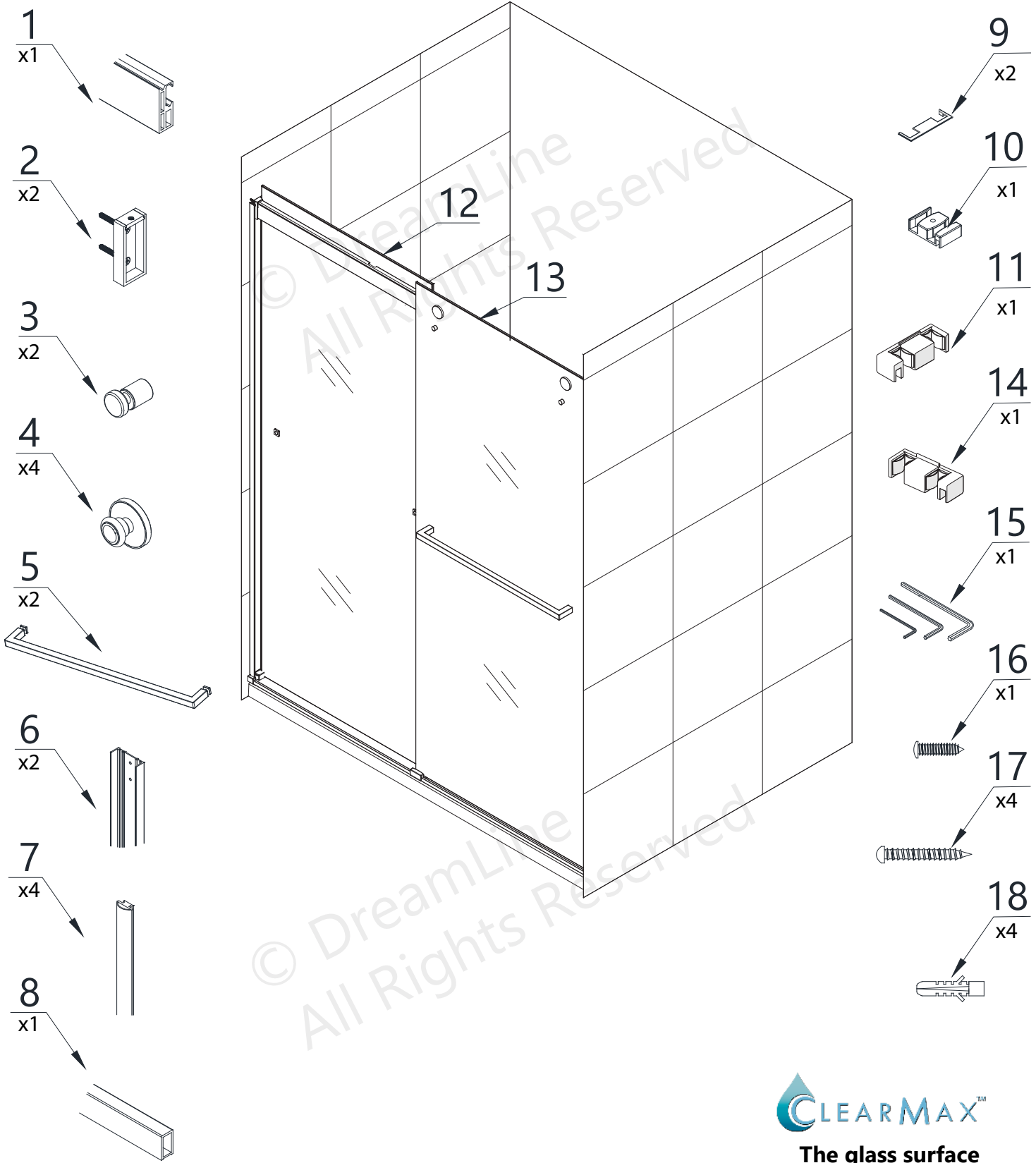
Threshold must be level



NOTE: Unpack your unit carefully and inspect it. Lay it out and identify all parts using the detailed diagram and parts list in this manual as a reference. Before discarding the carton, check for small hardware bags that may have fallen to the bottom of the box. If any parts are damaged or missing, please contact DreamLine® for replacement. The shipping boxes may contain extra parts not used in your model configuration.

NOTE: Retain these installation instructions for future reference.

Detailed Diagram of shower door components



**The glass surface
with the ClearMax™
label must be
installed to face
inside of the shower**

Parts List

Item#	DESCRIPTION	QTY	Item#	DESCRIPTION	QTY
01	Upper Guide Rail	1	10	Center Guide Block	1
02	Guide Rail Bracket	2	11	SafeClose™ Bumper - Left	1
03	Roller Guard	2	12	Inside Door Glass	1
04	Roller Assembly	4	13	Outside Door Glass	1
05	Towel Bar	2	14	SafeClose™ Bumper - Right	1
06	Wall Profile	2	15	Allen Wrench: 2.5mm / 3mm / 4mm	1
07	Bulb Vinyl Insert	4	16	ST4.2 x 20 Pan Head Screw	1
08	Bottom Rail	1	17	ST4.2 x 40 Countersunk Head Screw	4
09	Wall Profile Cap	2	18	Ø5/16" Wall Anchor	4

© DreamLine
All Rights Reserved

Installation steps

1. Check the threshold for level and the walls for plumb. Measure the finished opening width at the top (at the model height) and bottom. Use these dimensions as **"W1" (top)** and **"W2" (bottom)** in **Step #2**.
(Fig 1)

NOTE: This model will only accommodate up to 1/4" for out-of-plumb conditions.

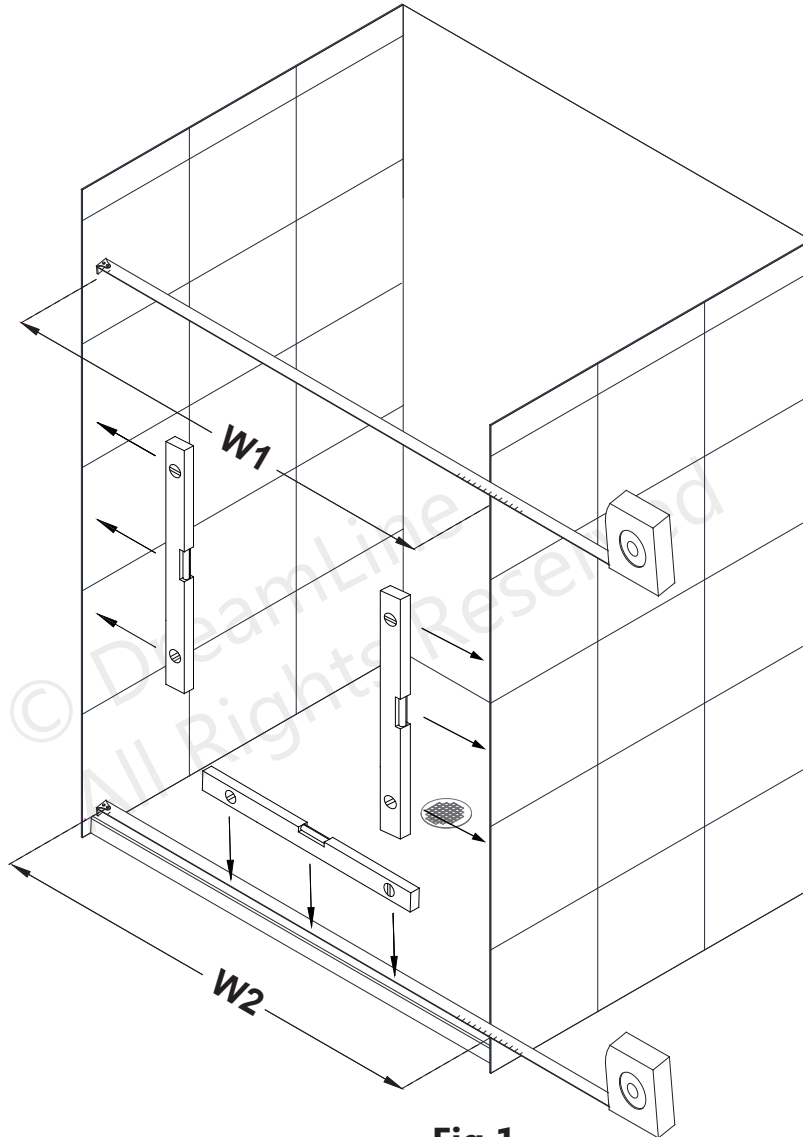
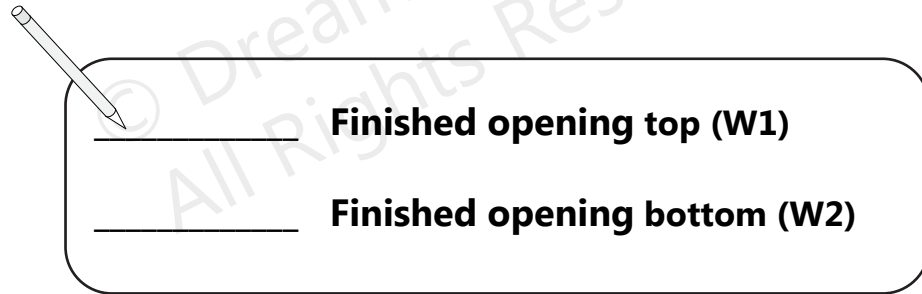


Fig 1

2. Cut the **Upper Guide Rail (#01)** and the **Bottom Rail (#08)** to fit the finished opening using either a miter saw or a hacksaw and miter box:

□ Cut the **Upper Guide Rail (#01)** to: **"W1"(top) dimension - 9/16"** (Fig 2a)

□ Cut the **Bottom Rail (#08)** to: **"W2" (bottom) dimension - 5/16"** (Fig 2b)

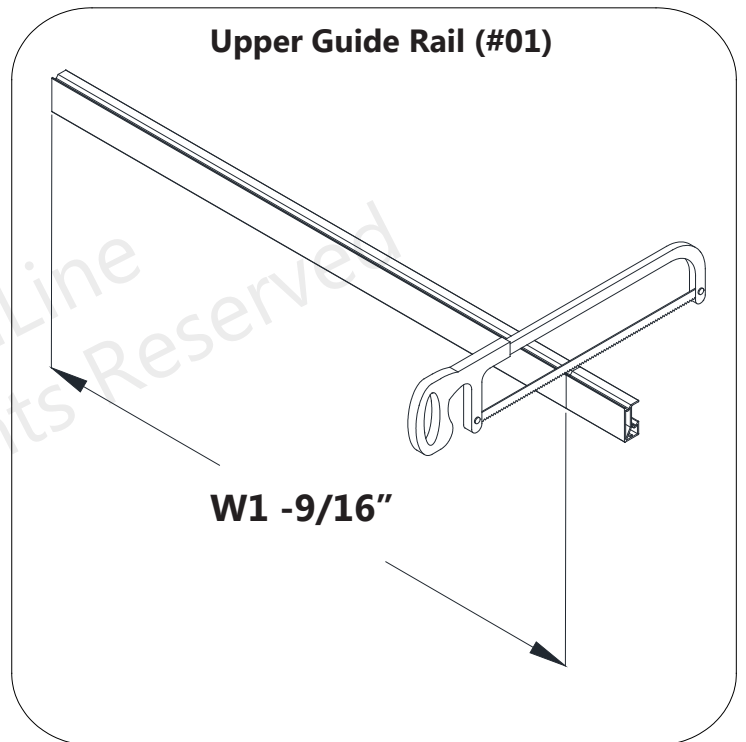


Fig 2a

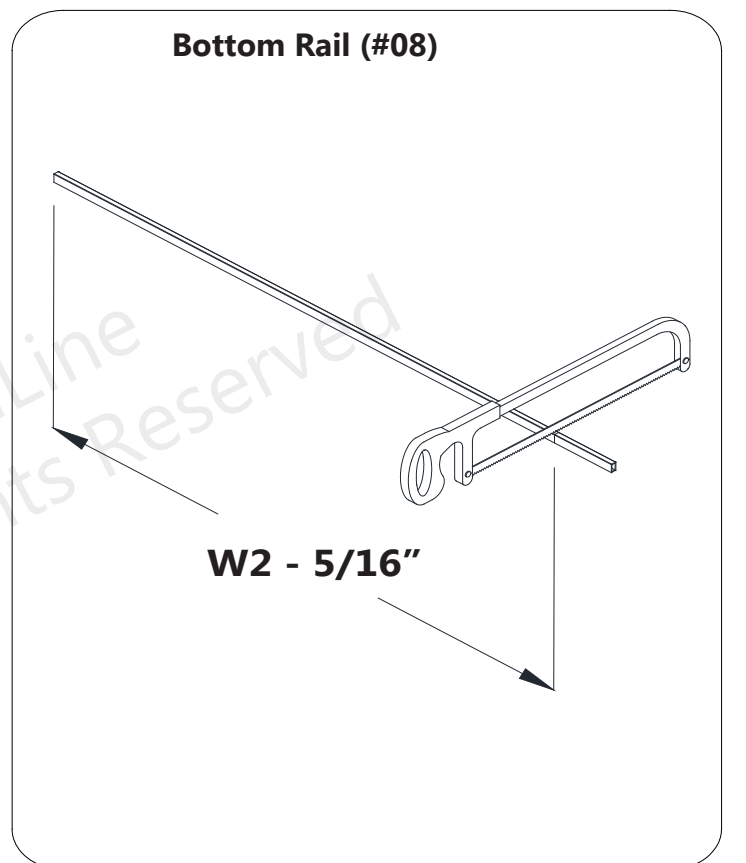
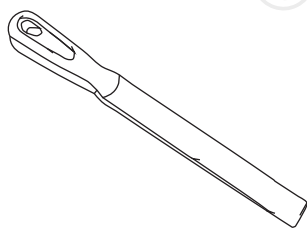


Fig 2b



Tip: Use a metal file to remove any burrs from the cut ends of the rails.

3. Set the **Bottom Rail (#08)** onto the threshold, parallel with the outside edge, and mark the position on the threshold. **(Fig 3a)**



NOTE: This model requires a minimum of 3" of flat, level threshold space.

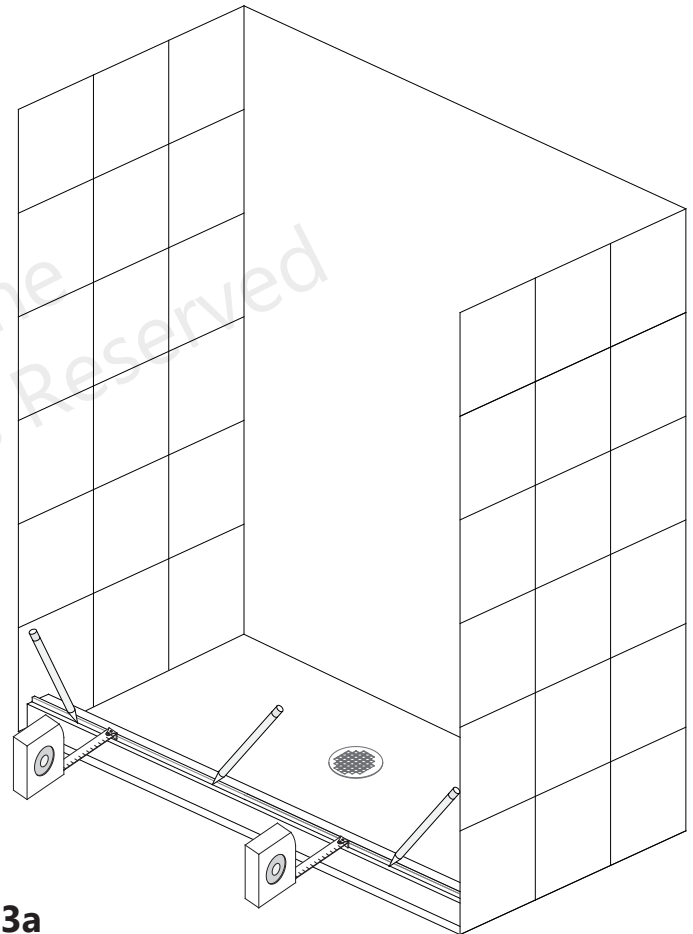
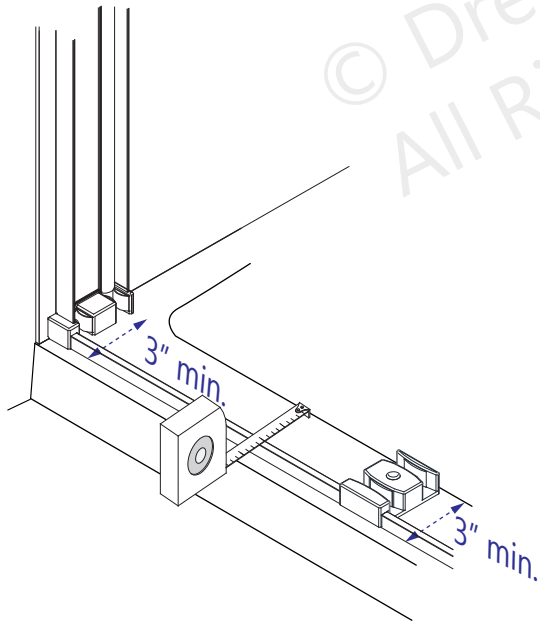


Fig 3a



TIP: Use the Left and Right **SafeClose™ Bumpers (#11 and #14)** as spacers to offset the **Bottom Rail (#08)** from each wall. The **Bottom Rail (#08)** should not fit tight wall-to-wall (otherwise the **SafeClose™** bumpers will not fit). **(Fig 3b)**

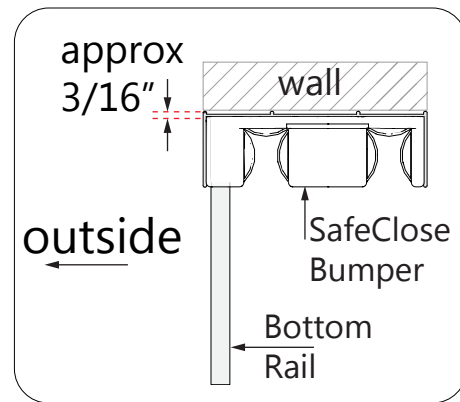
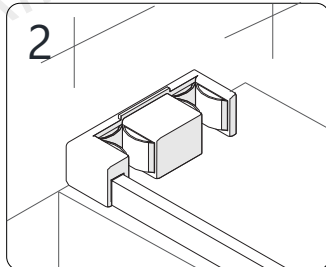
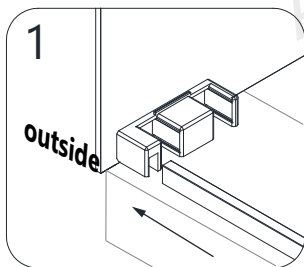


Fig 3b

4. Apply silicone into the groove along the bottom surface of the **Bottom Rail (#08)**. (Fig 4)

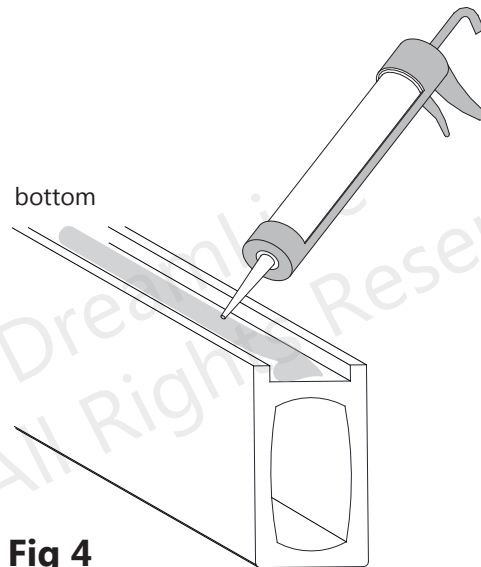


Fig 4

5. Install the **Bottom Rail (#08)** onto the **marked position** on the threshold. Apply silicone to the Left and Right **SafeClose™ Bumpers (#11 *#14)** and install them over the **Bottom Rail (#08)**. (Fig 5)

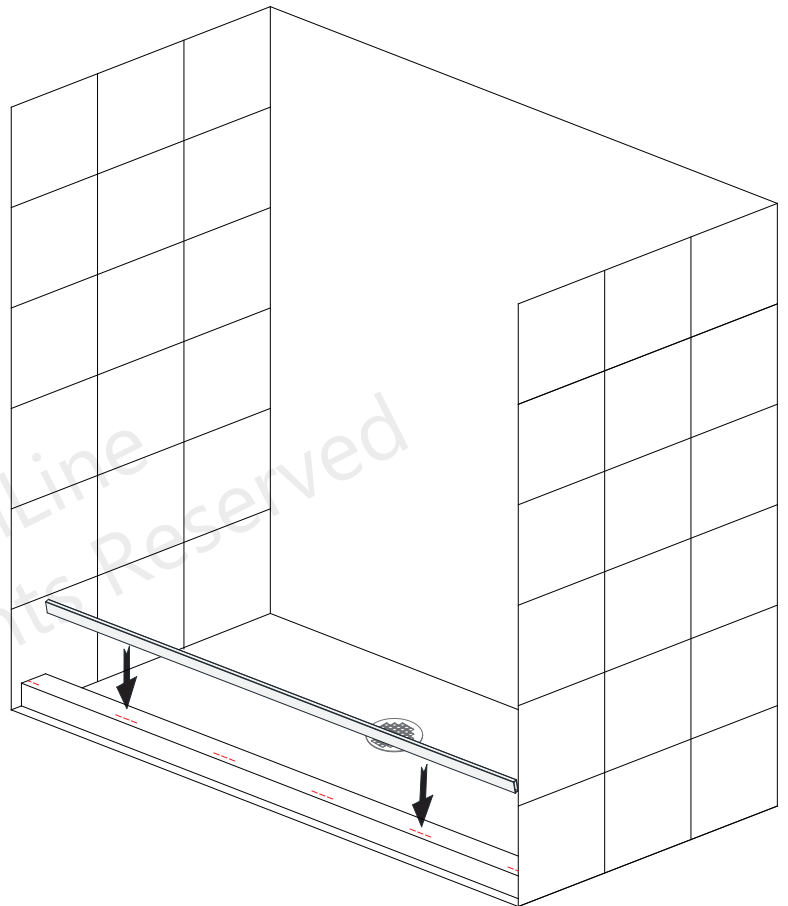
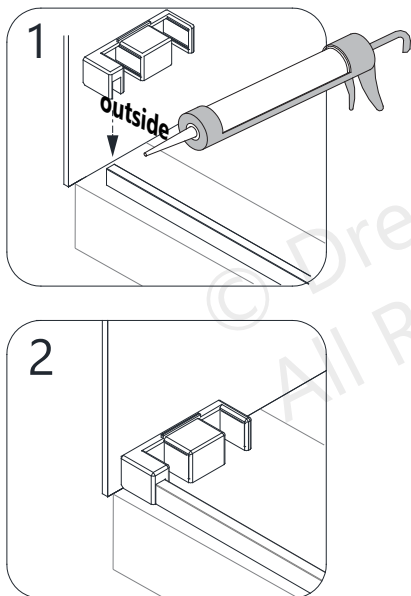


Fig 5

6. Run a bead of silicone along the inside edge of the **Bottom Rail (#08)**. **(Fig 6)**



Use several strips of Painter's Tape to hold the Bottom Rail in position while the silicone cures.

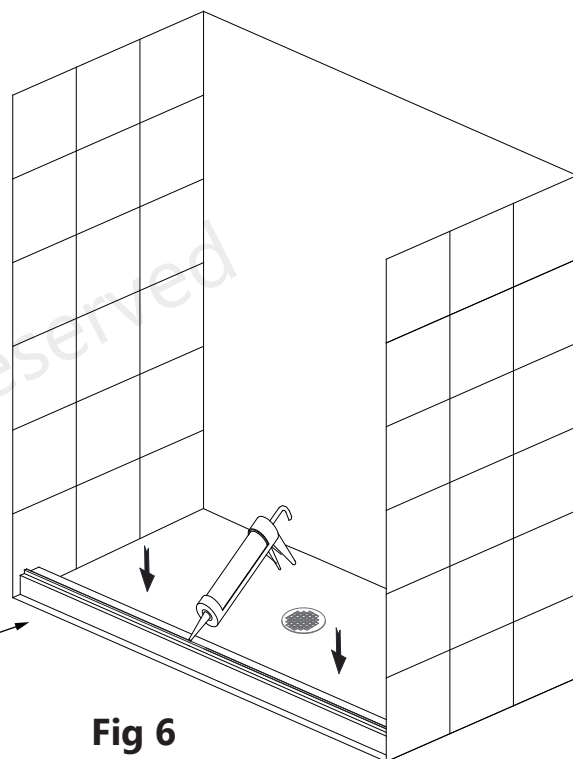


Fig 6

7. Measure across the width of the threshold to locate and mark the center. The **Center Guide Block (#10)** must be installed in the center of the threshold. **(Fig 7)**

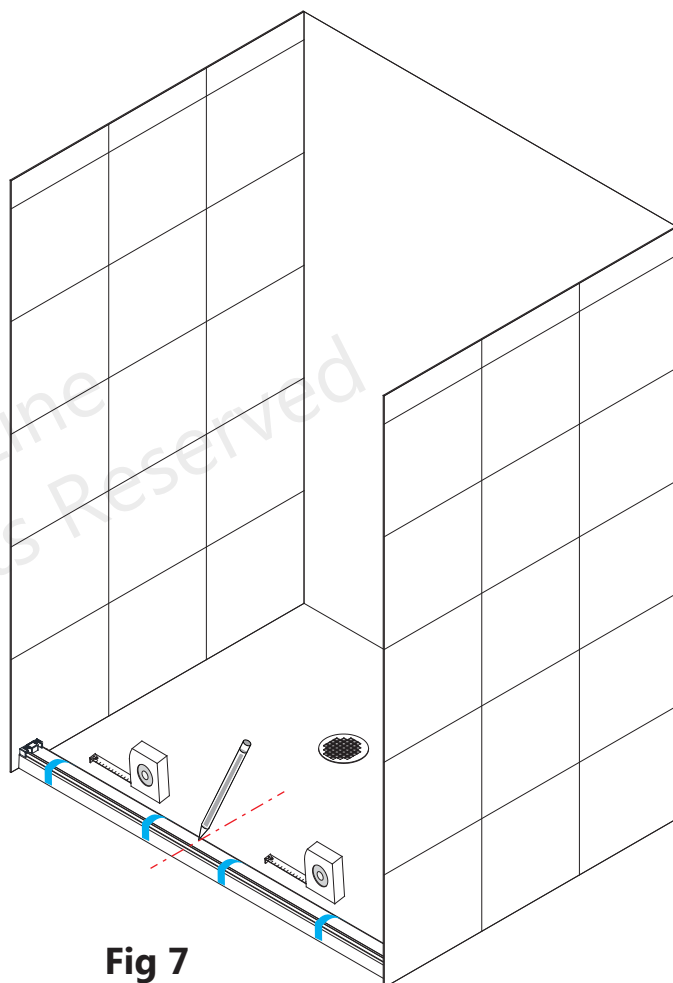


Fig 7



This model requires drilling into the threshold for proper installation. Contact the manufacturer of the base or tub with any questions regarding the drilling of holes into their product.

8. Place the **Center Guide Block (#10)** onto the threshold, over the **Bottom Rail (#08)** and align the hole with the centerline mark from the previous step. Mark the hole for drilling.

- For installation into a tile threshold, drill a $\text{Ø}5/16''$ (8mm) hole and insert the **Wall Anchor (#18)**
- For installation into an acrylic threshold, drill an $\text{Ø}1/8''$ (3mm) hole and **Do Not** use an anchor

Apply silicone to the bottom of the **Center Guide Block (#10)** and attach it to the threshold using an **ST4.2 x 20 Pan Head Screw (#16)**. Cover with the decorative cap. (**Fig 8a** and **Fig 8b**)

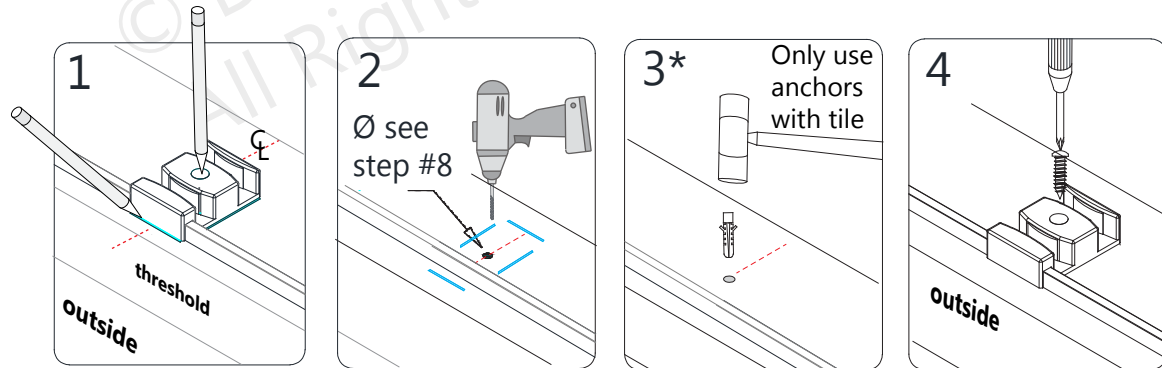


Fig 8a

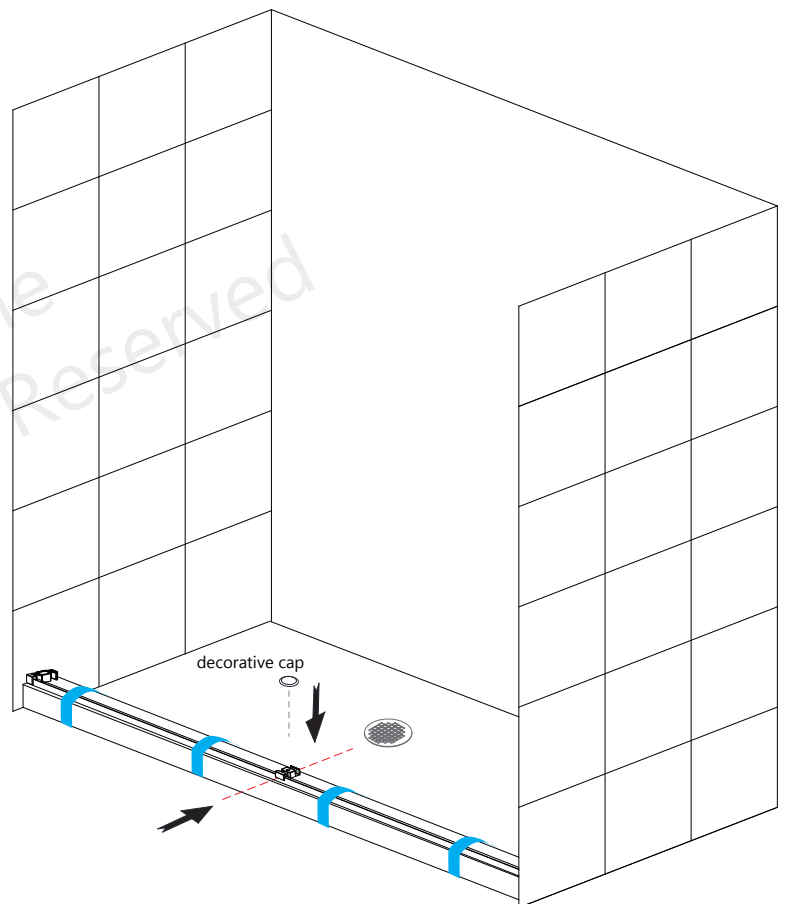
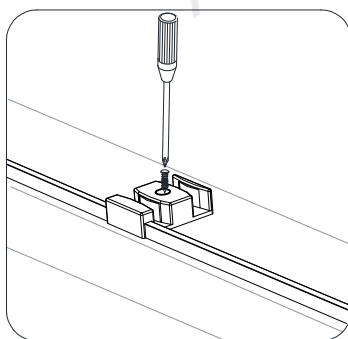
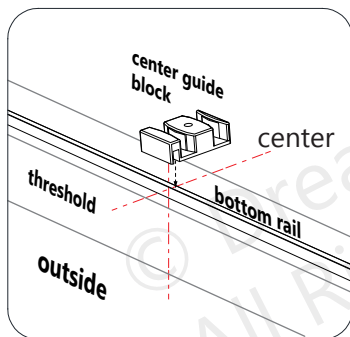
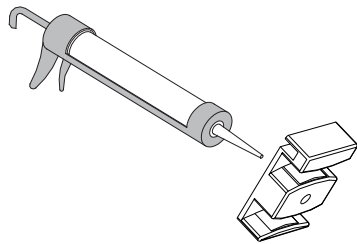


Fig 8b

9. Slide the required **Bulb Vinyl Inserts (#07)** into the **Wall Profiles (#06)**. Position the left **Wall Profile (#06)** onto the **SafeClose™ Bumper (#11)** and use a level and hold it plumb. Mark the position of the **Wall Profile (#06)** and the holes for drilling on the wall. **(Fig 9)**

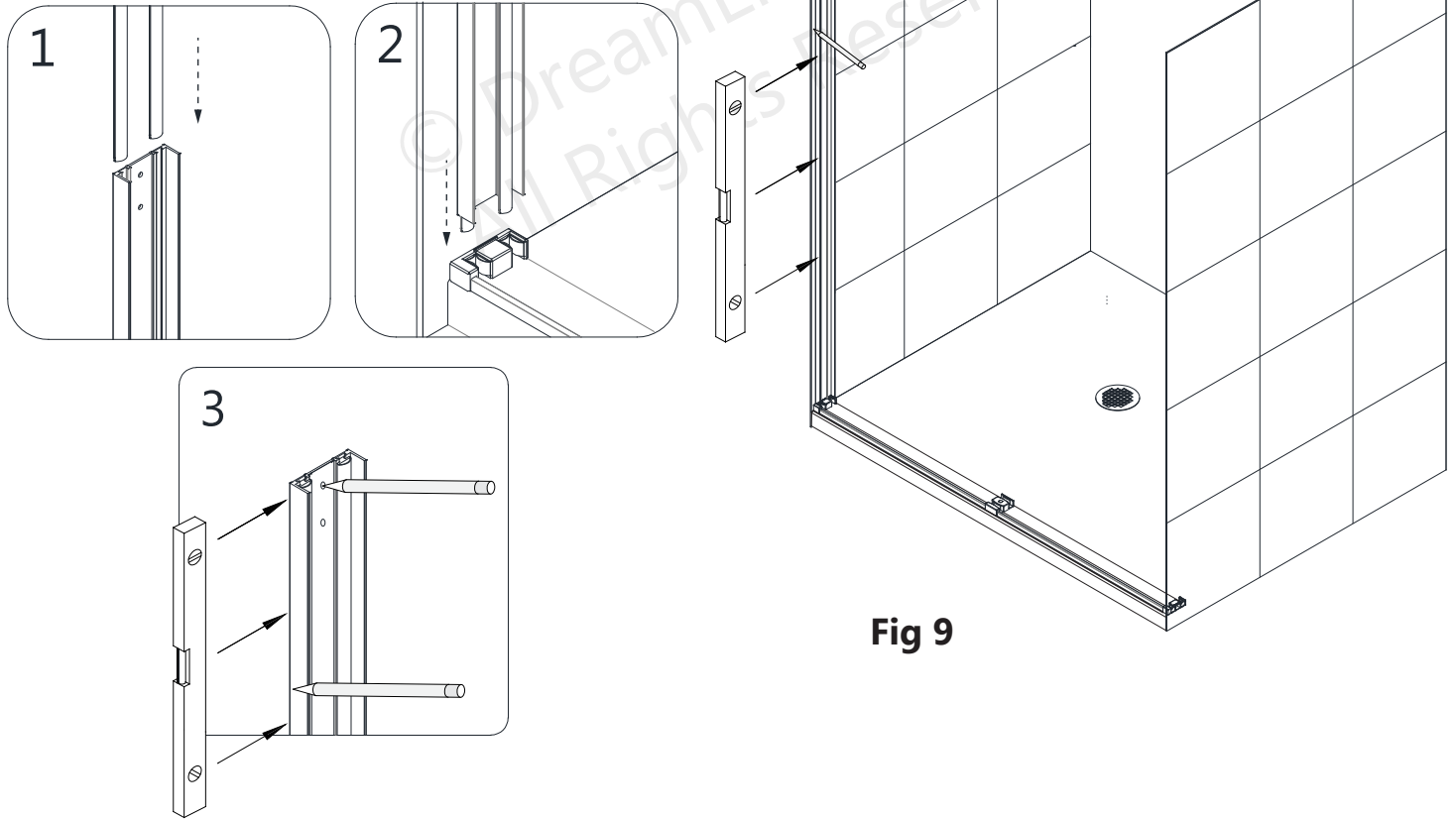


Fig 9

10. Using the marks from the previous step, drill the holes using a **Ø5/16"** drill bit and insert the **Wall Anchors (#18)**. Install the **Guide Rail Bracket (#02)** and the left **Wall Profile (#06)** using the **ST4.2 x 40 Countersunk Screws (#17)**. **(Fig 10)**

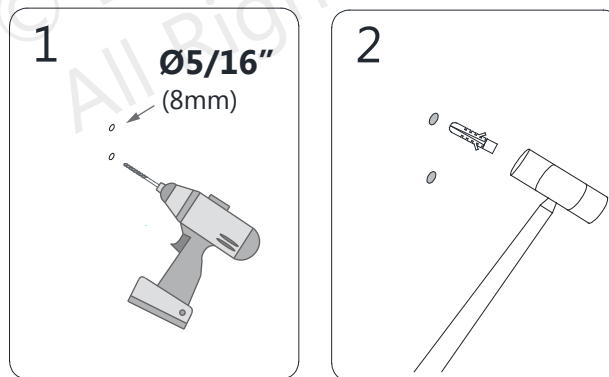


Fig 10

11. Apply silicone to the back surface of the **Wall Profile (#06)**.

Remove the top of the **Guide Rail Bracket Assembly (#02)**. Place the **Wall Profile (#06)** back into position on the wall.

Remove the top from the **Guide Rail Bracket Assembly (#02)** and align the **Guide Rail Bracket Assembly (#02)** with the top two holes in the **Wall Profile (#06)**.

Attach the **Guide Rail Bracket Assembly (#02)** to the wall through the **Wall Profile (#06)** using the **ST4.2 x 40 Countersunk Screws (#17)**. (Fig 11)

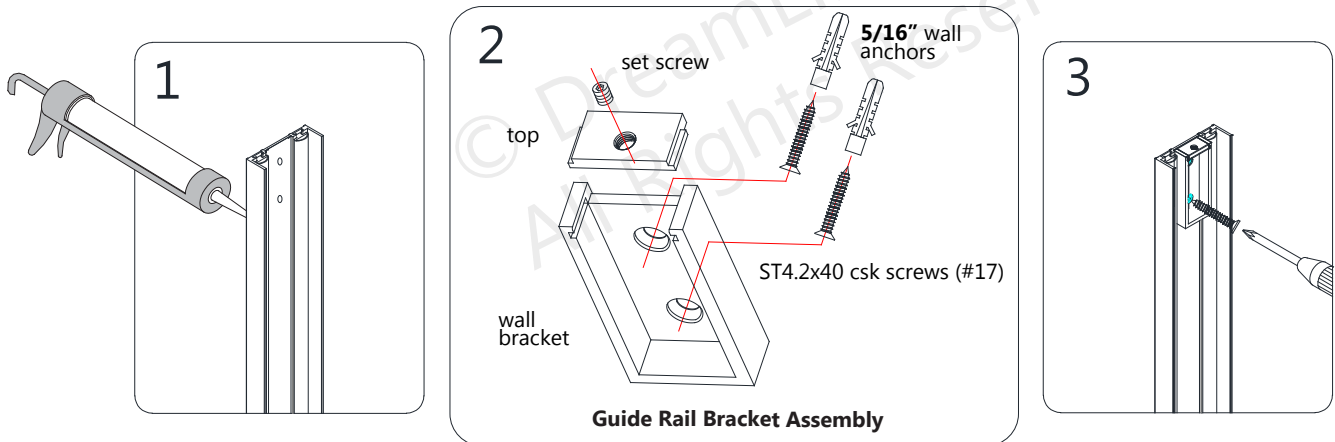


Fig 11



NOTE: Do Not overtighten the screws as this may deform the wall profile.

12. Attach the remaining **Guide Rail Bracket Assembly (#02)** onto the opposite end of the **Upper Guide Rail (#01)**. (Fig 12)

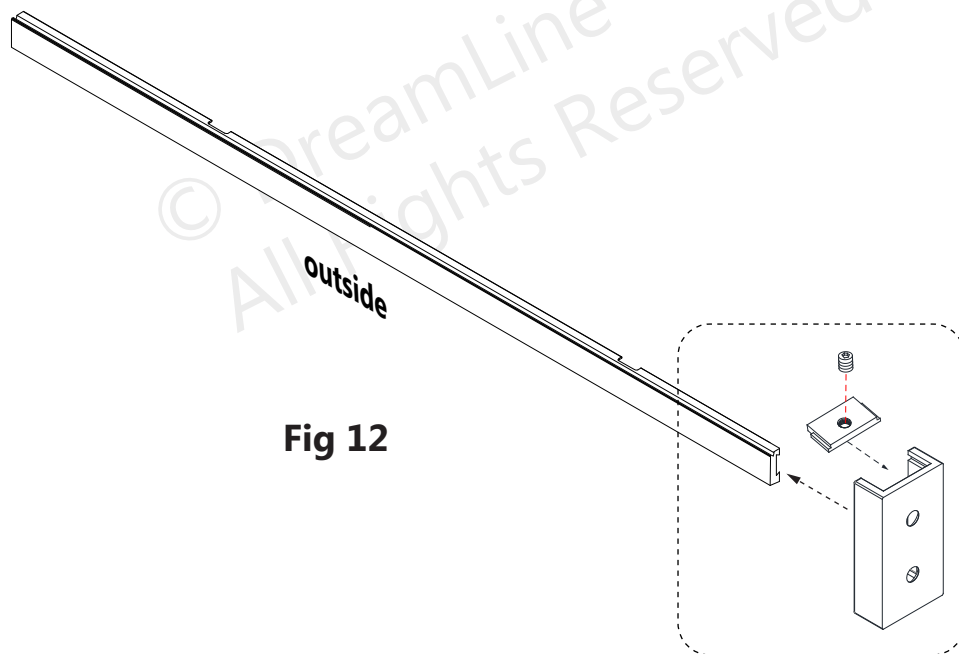
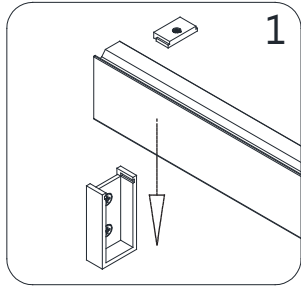


Fig 12

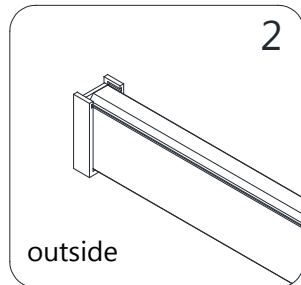
13. Place the **Upper Guide Rail (#01)** into the installed **Guide Rail Bracket Assembly (#02)** (on the left in this example), and position the remaining **Wall Profile (#19)** on the opposite wall, on top of the **SafeClose™ Bumper- right (#14)**. (Fig 13)



Have an assistant available to help support the upper guide rail during the these steps.



1



2

outside

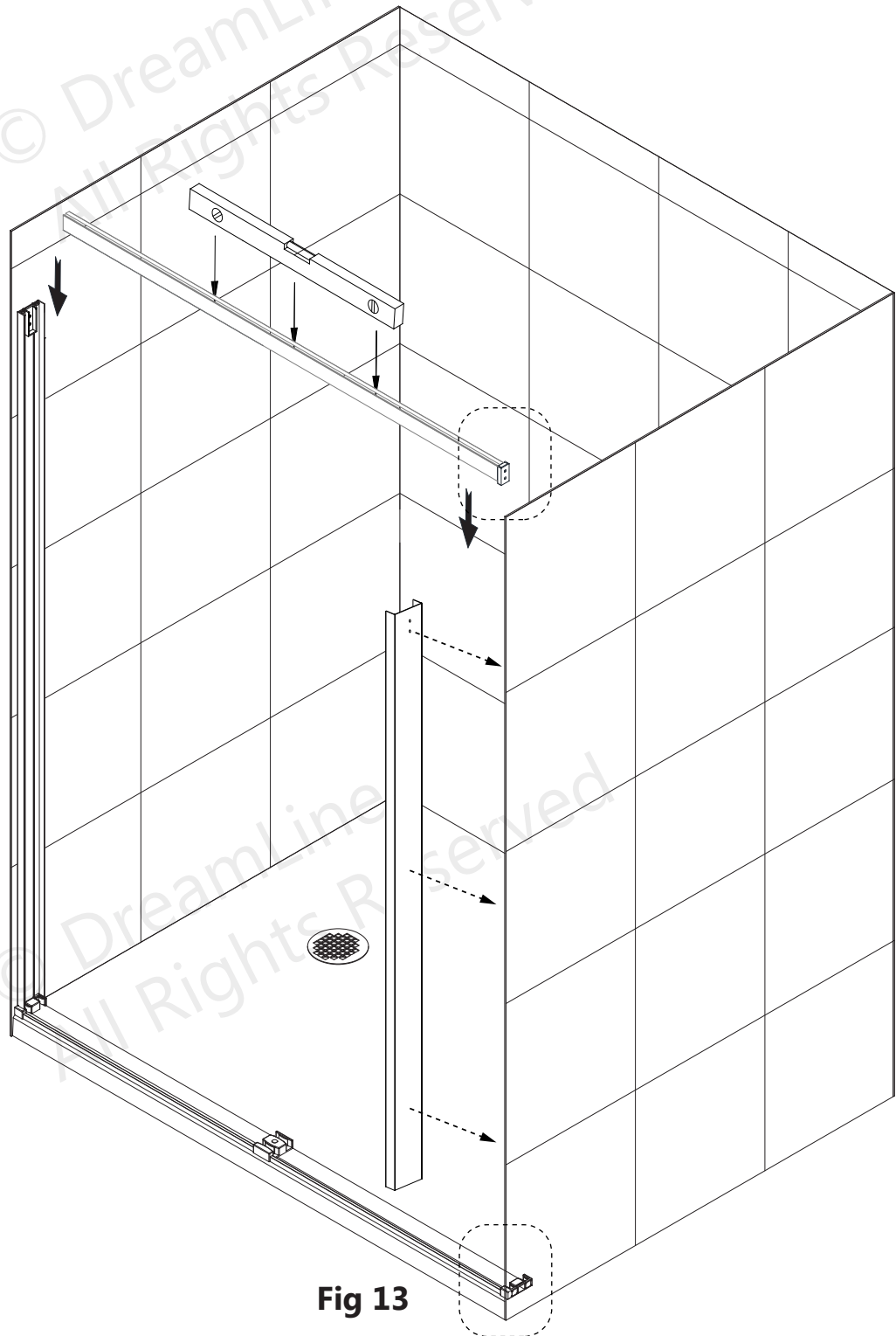
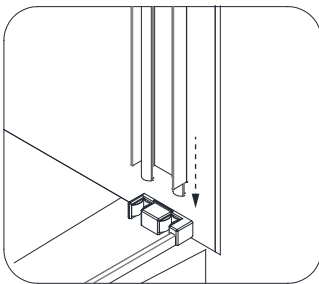


Fig 13

14. Hold the **Upper Guide Rail (#01)** level and the wall profile plumb and mark the position of the bracket on the **Wall Profile (#06)**. (**Fig 14**)



If the threshold is out-of-level, the holes in the guide rail bracket will not align with the holes in the wall profile

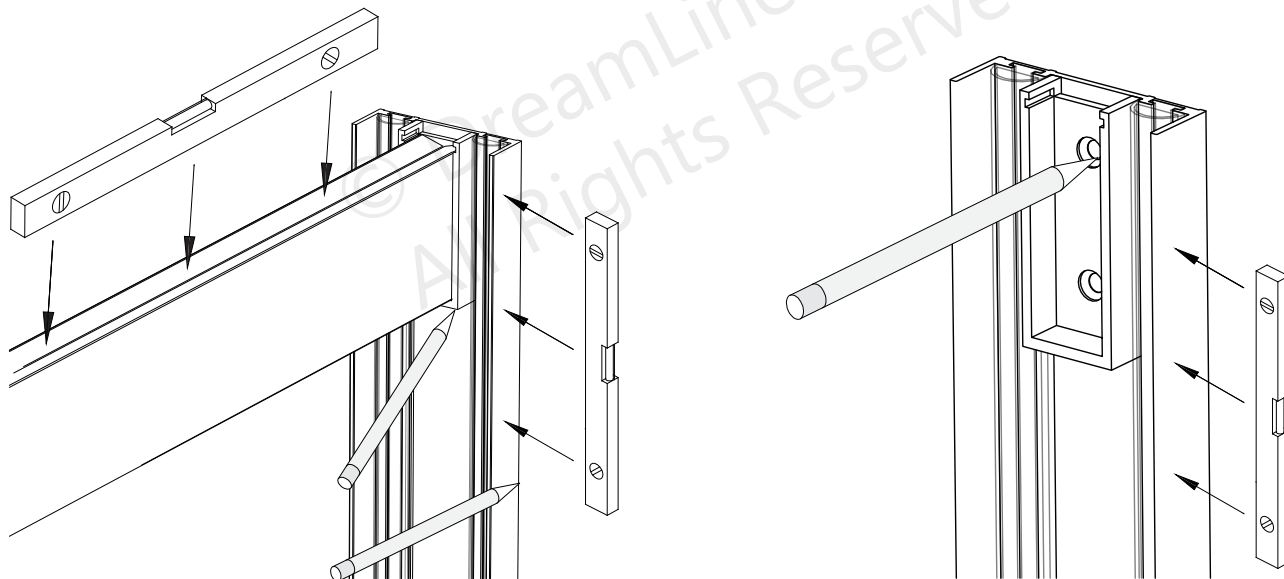


Fig 14

15. Using the marks from the previous step, drill the holes using a **Ø5/16"** drill bit and insert the **Wall Anchors (#18)**. (**Fig 15**)

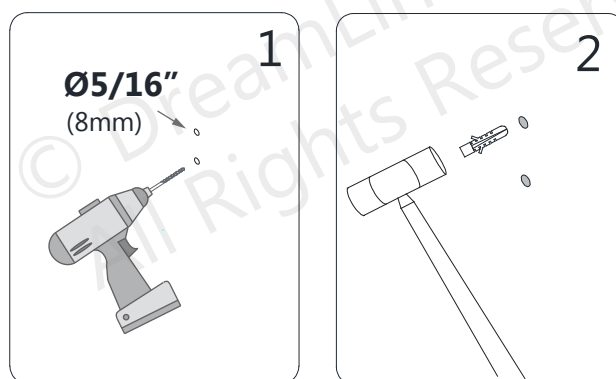


Fig 15

16. Apply silicone to the back surface of the **Wall Profile (#06)**.

Place the **Wall Profile (#06)** back into position on the wall.

Remove the top piece from the **Guide Rail Bracket Assembly (#02)** and align the **Guide Rail Bracket Assembly (#02)** with the holes in the **Wall Profile (#06)**.

Install the **Guide Rail Bracket Assembly (#02)** to the wall through the **Wall Profile (#06)** using the **ST4.2 x 40 Countersunk Screws (#17)**. (Fig 16)

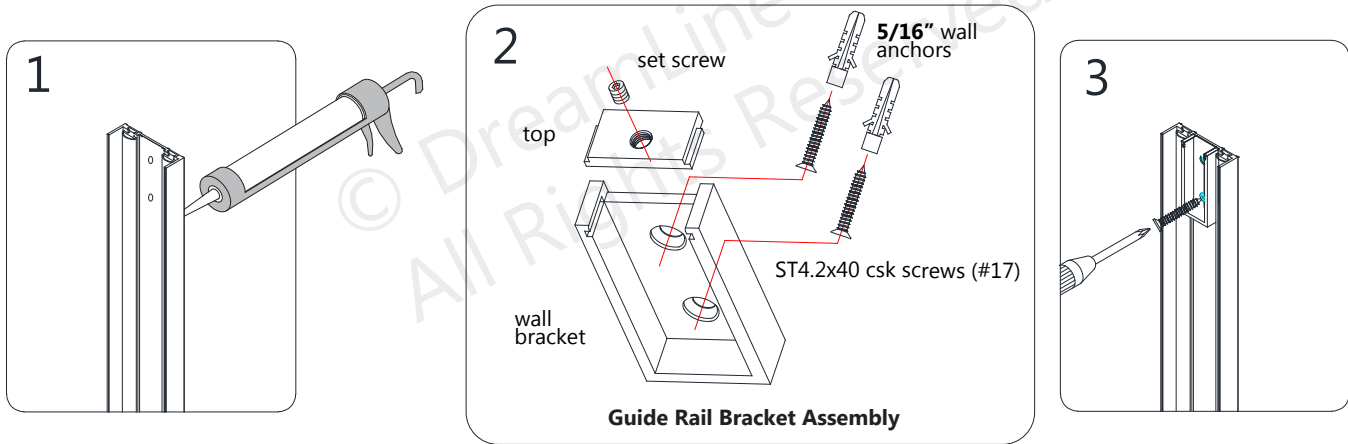


Fig 16



NOTE: Do Not overtighten the screws as this may deform the wall profile.

17. Slide the **Upper Guide Rail (#01)** into both **Guide Rail Bracket Assemblies (#02)**. Install both **top pieces** to the **Guide Rail Bracket Assemblies (#02)** and secure with the **set screws**. (Fig 17)

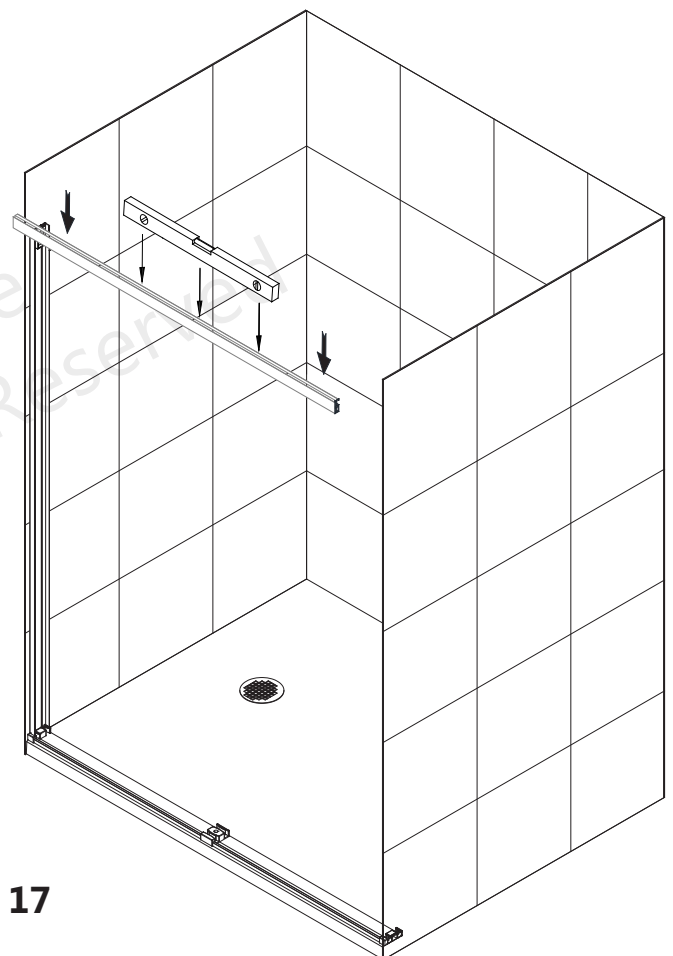
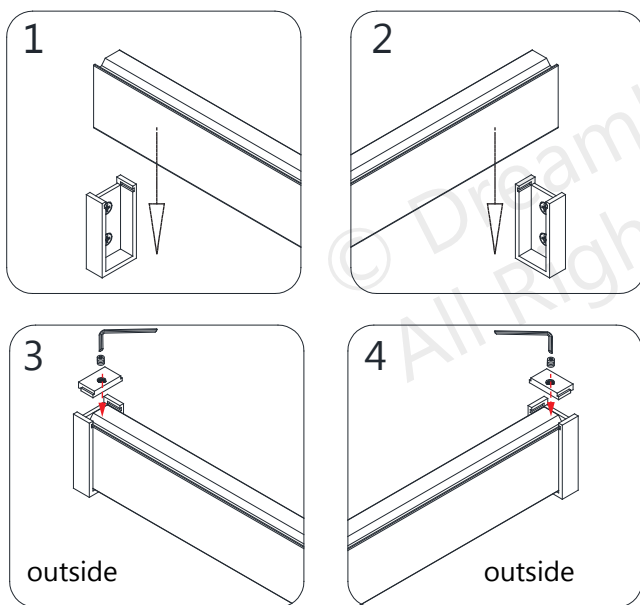


Fig 17

18. Attach the **Wall Profile Caps (#09)** to the top of both **Wall Profiles (#06)**. (**Fig 18**)

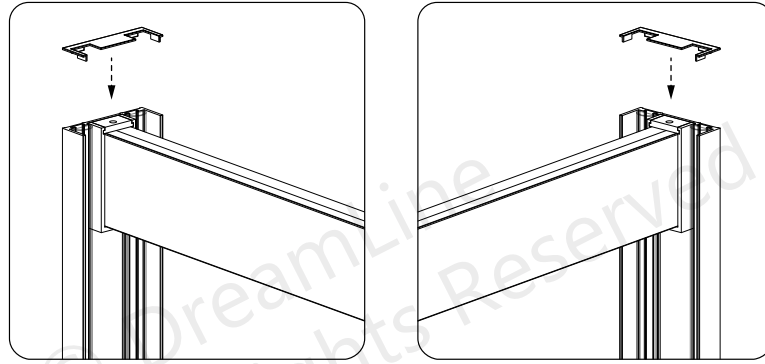


Fig 18

19. Remove the cap and screw from the **Roller Assembly (#04)** and attach the **Roller Assembly (#04)** to the **Inside Door Glass (#12)** and to the **Outside Door Glass (#13)**. (**Fig 19 and Fig 20**)

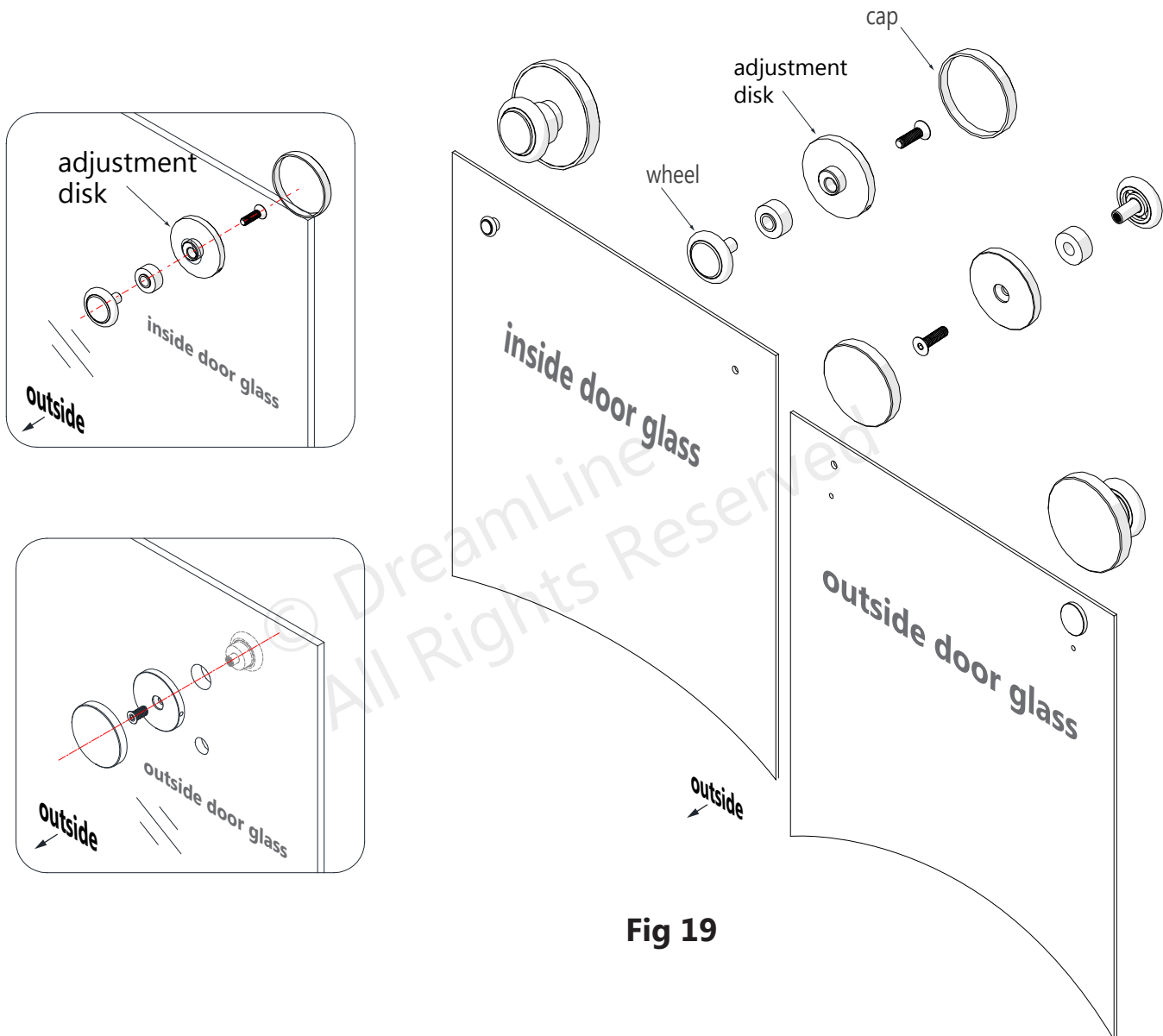


Fig 19



NOTE: DO NOT install the towel bars on the glass until instructed. **DO NOT** lift the glass using the towel bars. This could result in damage to the glass and/or serious personal injury. Always use an assistant or a professional grade glass suction cup when handling heavy glass.

20. From inside the shower, hang the **Inside Door Glass (#12)** first. Insert one wheel into the notch in the top of the **Upper Guide Rail (#01)**. Slide the door over and insert the other roller wheel into the second notch (**Fig 20.1**) while also aligning the **Inside Door Glass (#12)** into the correct groove in the **Center Guide Block (#10)**. (**Fig 20.2**)

Next, from outside the shower, install the **Outside Door Glass (#13)** into the track on top of the **Upper Guide Rail (#01)** and into the **Guide Block (#22)**. (**Fig 20.3 and Fig 20.4**)

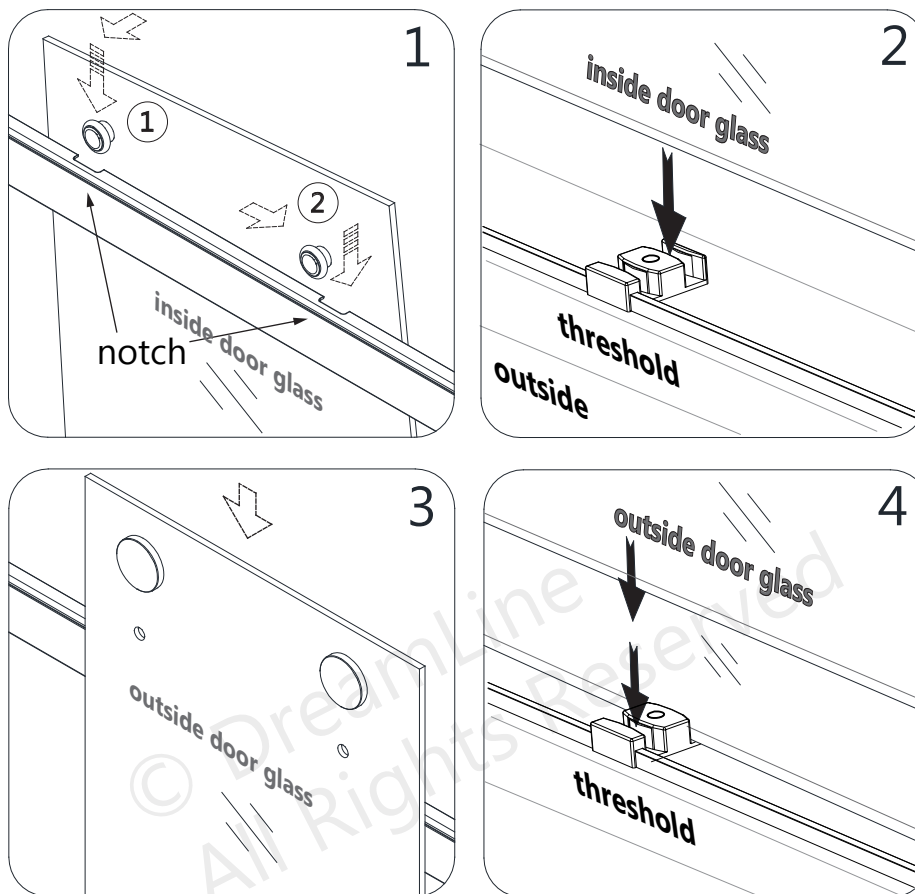


Fig 20

21. Attach the **Roller Guards (#03)** to the **Outside Door Glass (#13)** to prevent the door glass from being lifted off of the **Upper Guide Rail (#01)**. Adjust the **Roller Guards (#03)** to within 1/16" beneath the **Upper Guide Rail (#01)**. (Fig 21a)

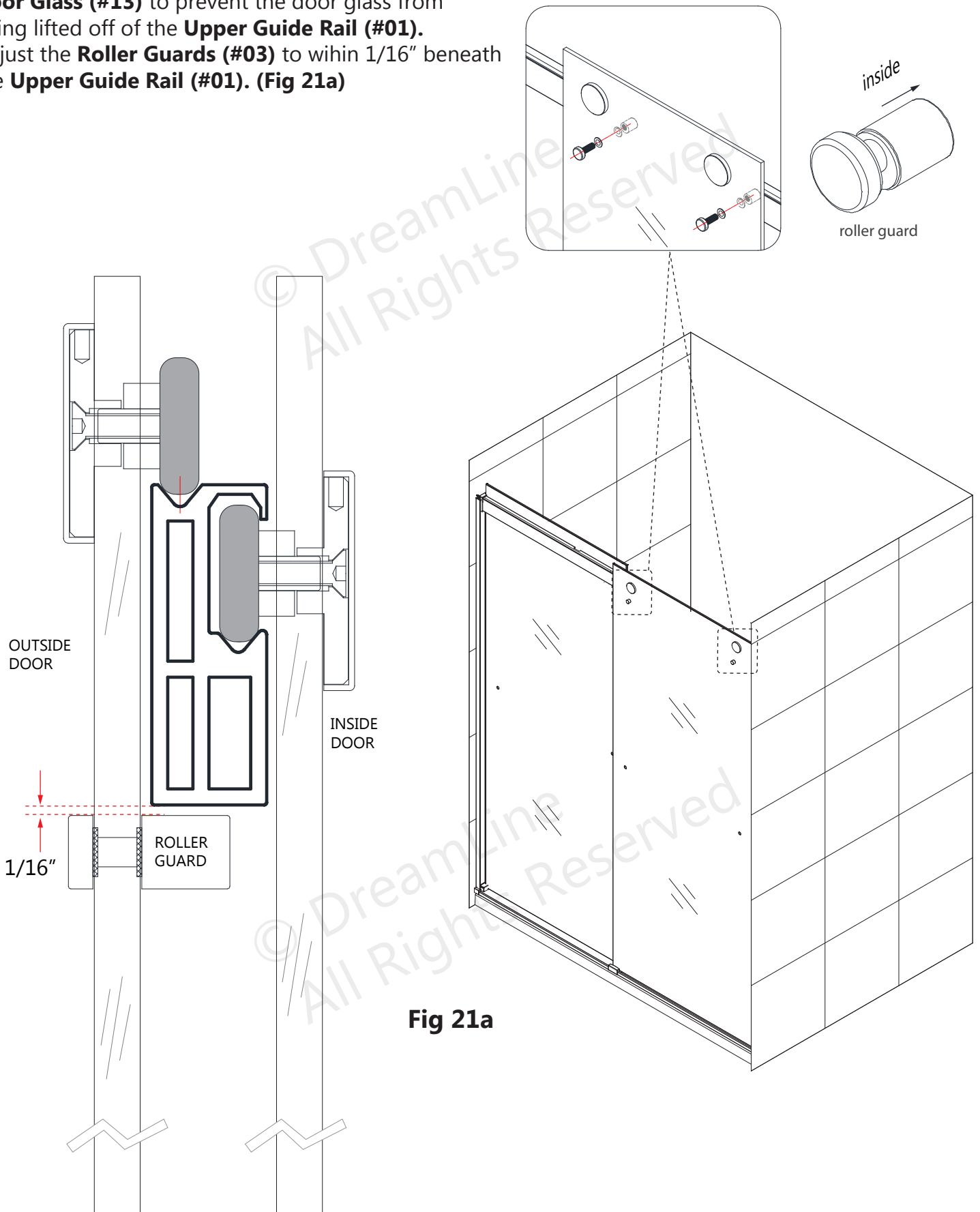


Fig 21a

Drawing Not to Scale



TIP: The wheel assembly bushing that fits through the hole in the glass is elliptical. By rotating this disk, the door glass can be adjusted (tilted) slightly in order to make even contact with the Bulb Vinyl Inserts and prevent leakage.

- Only adjust one wheel at a time
- “Hand” the doors in the desired positions (adjusting for one wall may not match the opposite wall)
- Use a shim beneath the door glass to prevent contact with the threshold during adjustments
- Temporarily lower the roller guards to allow clearance to adjust the rollers
- Remove the cap from the wheel assembly and loosen the bolt
- Insert a small allen wrench or similar tool into the small hole in the edge of the adjustment disk to help rotate the disk (see Fig 21b) and tilt the door glass to seal with the bulb vinyl in the wall profile
- Hold the glass and the adjustment disk in position and re-tighten the bolt
- Test the operation of the door. Repeat the adjustment process on the other rollers if necessary
- Replace the Wheel assembly cap
- Re-adjust and fully tighten the **Roller Guards (#03)** to within 1/16” of the **Upper Guide Rail (#01)**

(Fig 21a and Fig 21b)

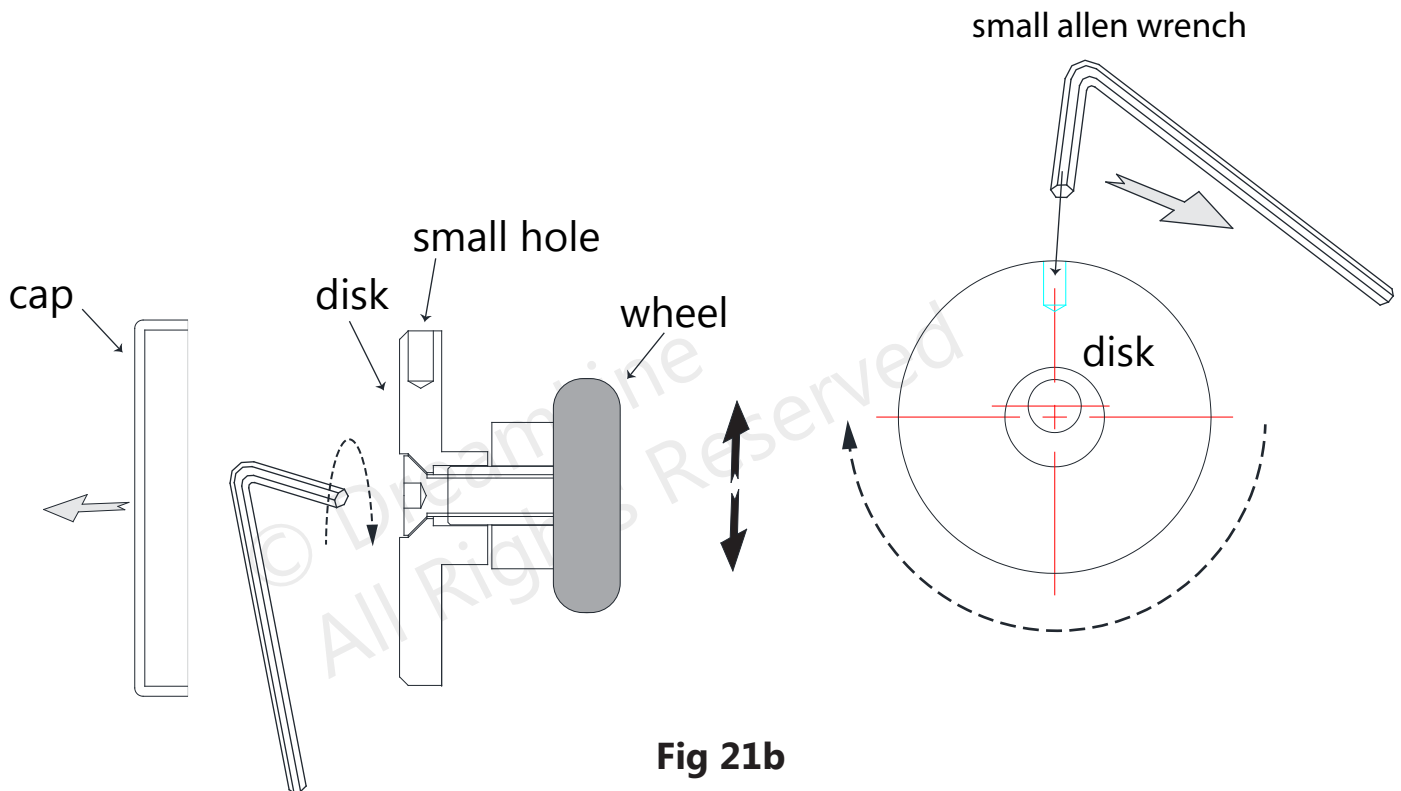


Fig 21b

22. Attach the **Towel Bar (#05)** to the **Inside Door Glass (#12)** and to the **Outside Door Glass (#13)**.

Be sure to use all of the supplied rubber gaskets to prevent glass-to-metal contact. **(Fig 22)**

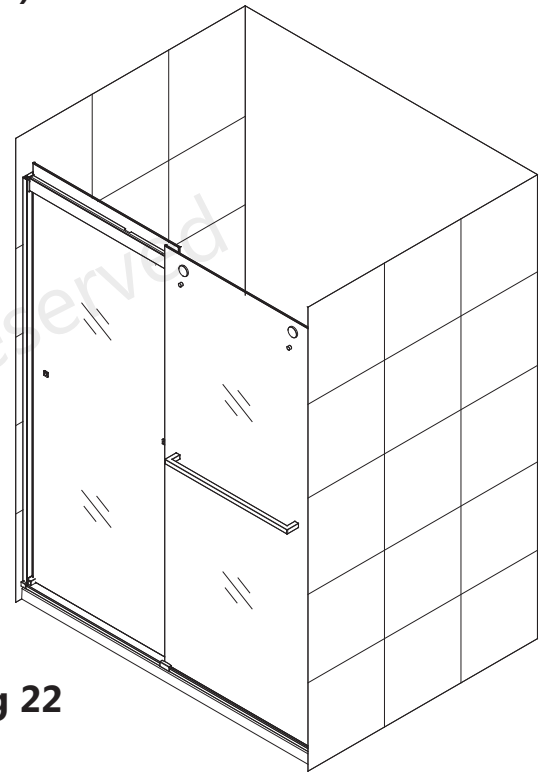
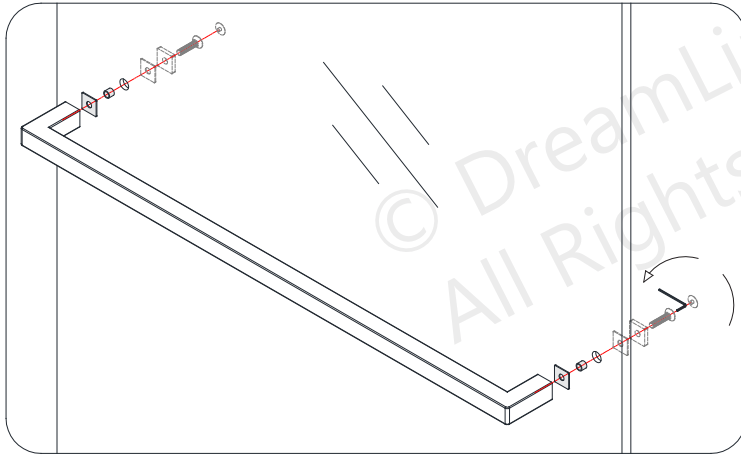
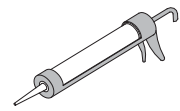


Fig 22



Towel bars are NOT Grab-bars

23. Apply a good quality mildew-resistant silicone along the bottom rail and wall profiles where they meet the walls and threshold. **(Fig 23)**



100% Silicone



24
Hours

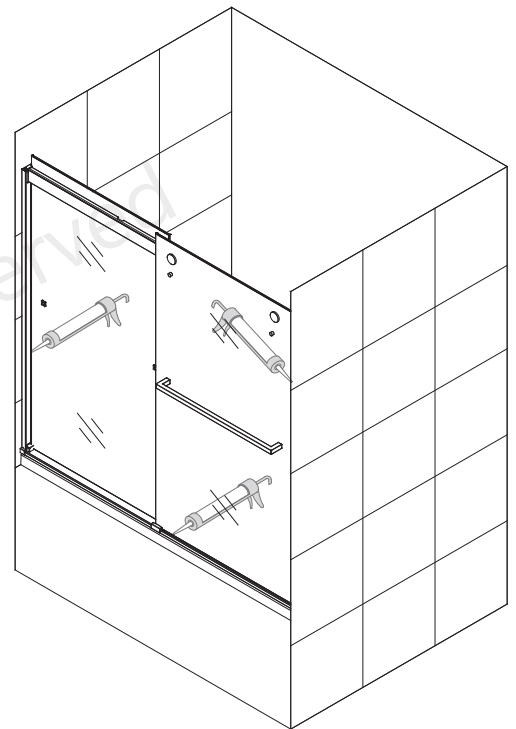
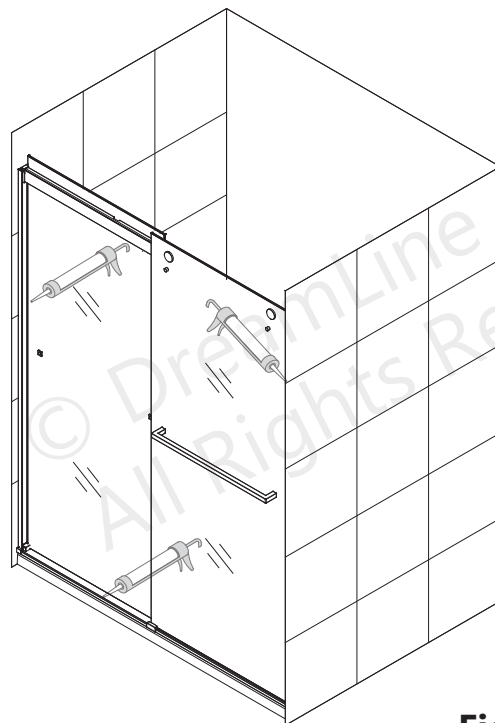


Fig 23



Allow 24 hours for the silicone to cure before using the shower.

Product Maintenance

BASES and BACKWALLS: To ensure long-lasting life for your acrylic back walls, wipe them off after each use with a soft cloth. To clean the acrylic back walls use non-abrasive sprays or cream based cleaners. Avoid the use of aerosol spray cleaners. Never use abrasive cleansers, metal brushes or scrapers that could scratch or dull the surface.

GLASS: To ensure long-lasting life for your glass shower products, wipe them off after each use with a soft cloth. Rinse and wipe off the glass using either a soft cloth or a squeegee to prevent soap buildup and water spots (Hard water can etch the surface of the glass over time if left to dry). To prevent scratching the surface: never use abrasive cleaners or cleaning products that contain scouring agents. Never use bristle brushes or abrasive sponges that may scratch the surface.

HARDWARE: To ensure a long-lasting finish, wipe off the metal parts after each use with a soft cloth. Do not use abrasive cleaners or cleaning products containing ammonia, bleach or acid. If accidentally used, rinse the surface as soon as possible to prevent damage to the finish (peeling or corrosion). After cleaning the polished finishes, rinse thoroughly and wipe dry with a soft cloth.

Clean stainless steel surfaces at least once a week. When applying stainless steel cleaner or polish to stainless steel hardware, work with (not across) the grain. Never use an abrasive sponge or cloth, steel wool or wired brush as these may permanently scratch the surfaces.

NOTE: To maximize the life of your door, it is important to regularly inspect the glass and all hardware for misalignment, proper attachment, and/or damage. Contact DreamLine® with any questions or concerns.

DreamLine® shower doors and enclosures are designed not to leak when installed properly and the flow of water is not pointed directly at the vinyl seals.

SAPPHIRE Maintenance checklist

- Inspect the **Guide rail**
- Inspect the **Guide rail brackets**
- Inspect the **Guide block** -square to the threshold and glass
- Proper clearance** beneath the door glass between the threshold and within the guide block
- Door Glass** adjusted so that the glass makes even contact into the wall profile and into the SafeClose™ Bumpers
- Inspect the **SafeClose™ bumpers**
- Inspect the **Wheel assemblies**
- Inspect the **Roller guards** - positioned within 1/16" beneath the guide rail and tight
- Inspect the **Towel Bars** -tighten if loose
- Inspect the **edges of the door glass** for concealed damage
 - o **Damaged glass must be replaced!**
- Inspect **vinyl seals**- replace if damaged or missing

© DreamLine
All Rights Reserved



© DreamLine
All Rights Reserved

TEL: 866-731-2244
FAX: 866-857-3638
DREAMLINE.COM

For more information on DreamLine® Shower Doors and Enclosures please visit **DreamLine.com**