

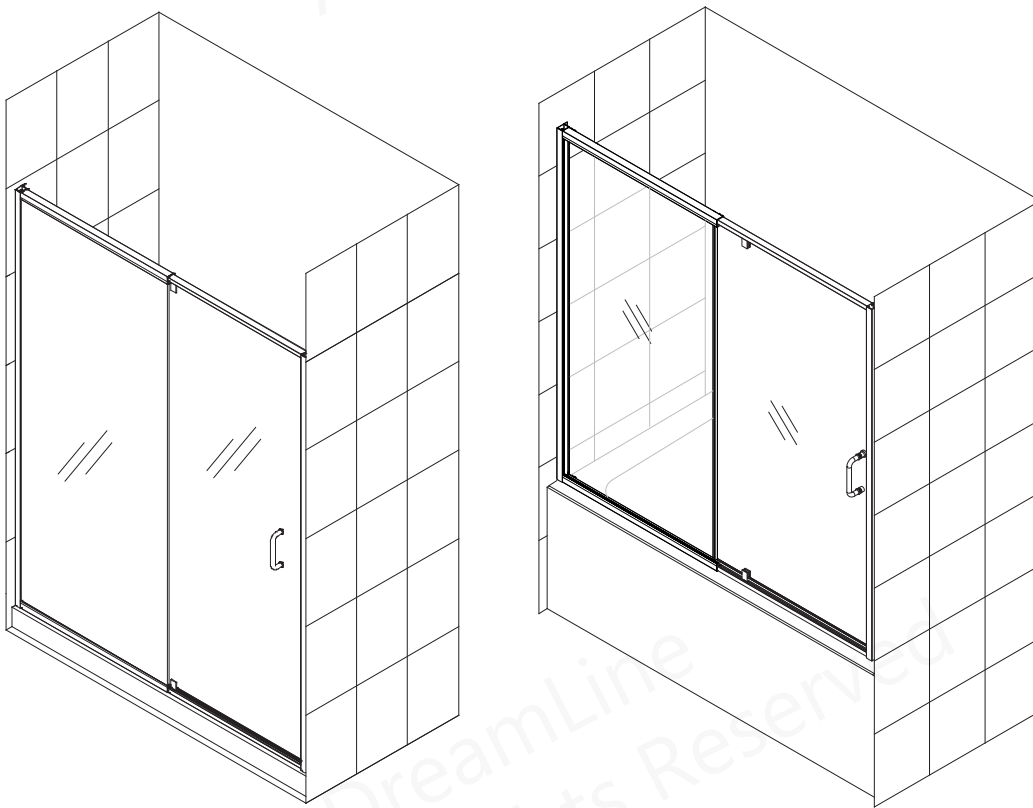


# FLEX 42x72" / 48x72" / 54x72" / 60x72" / 60x58"

## SHOWER & TUB DOOR INSTALLATION INSTRUCTIONS

### IMPORTANT

DreamLine® reserves the right to alter, modify or redesign products at any time without prior notice. For the latest up-to-date technical drawings, manuals, warranty information or additional details please refer to your model's web page on [DreamLine.com](http://DreamLine.com)



### MODEL #s

SHDR-22427200-##  
SHDR-22487200-##  
SHDR-22547200-##  
SHDR-22607200-##  
SHDR-22605800-##

##=finish  
-01- Chrome  
-04 - Brushed Nickel

Right hand door installation shown

Please review this entire manual before starting the installation



### Questions?

Please Call **DreamLine Customer Support: 1-855-831-2126**  
Hours of Operation M-F 8AM - 7PM EST and Saturday 9AM - 5PM EST

[Support@DreamLine.com](mailto:Support@DreamLine.com)



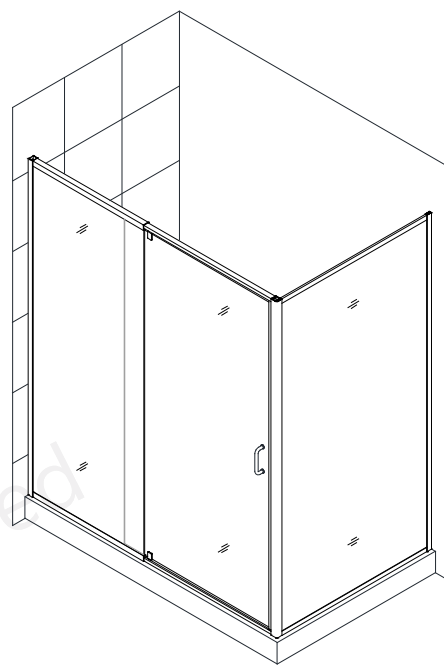
For more information about DreamLine® Shower Doors & Tub Doors please visit [DreamLine.com](http://DreamLine.com)

## Table of Contents

| Section title                           | Page # |
|---|--------|
| Preparation                             | 2      |
| Tools                                   | 3      |
| Parts Diagram of Shower Door Components | 4      |
| Parts List                              | 5      |
| Model Overview                          | 6      |
| Installation Steps                      | 7-19   |
| Vinyl Seals                             | 16-17  |
| Product Maintenance                     | 20     |



If you have purchased the FLEX Shower Enclosure model: Refer to the “Shower Enclosure Plan” in the manual that is packaged with the return panel glass for the proper dimension to install the door based on the enclosure size.



These instructions will show the installation of the shower door model. Please follow the same steps for the installation of the tub door model.



This product should be installed by someone familiar with the construction requirements for this type of product and the care necessary for the safe installation and operation of the product.

## Preparation

1. Prior to installation, examine all boxes and packages for shipping damage and compare the piece count with your packing slip. After opening all boxes and packages read this introduction carefully. Check that all of the needed parts are included in the package by checking off the components on the "Detailed Diagram of Shower Door Components". If the unit has been damaged, has a finishing defect, or has missing parts, please contact our customer support department within **3 business days** of the delivery date. **Please note that DreamLine® will not replace any damaged products or missing parts free of charge after 3 business days or if the product has been installed.** Contact DreamLine® if you have any questions, and please provide an order number, job name or other proof of purchase to help to identify the original order.

2. **Please note that you should consult your local building codes with questions on installation compliance standards. Building and plumbing codes may vary by location, and DreamLine® is not responsible for code compliance standards for your project and will not accept any returns.**

3. If this unit is going to be installed in a new construction, please install all of the required plumbing and drainage before installing the shower. Use a competent and licensed (if required by local code) plumber for all plumbing installation

4. Please make sure that prior to beginning the installation, the surfaces are leveled and solid and will be able to support the total weight of the unit. Also make sure the walls are at right angles. Irregular installation surface level, radius corners or improper angle of side walls will result in serious problems for your installation. Please, note that some adjustments and drilling might be necessary during the installation process.

5. Please protect all primary surfaces of the product during installation. Never set your glass down directly onto a tile floor. Leave corner protectors in place until necessary to remove them. Always use a piece of wood or cardboard to protect the bottom edge and corners of the glass prior to and during installation.

6. This unit must be installed upon a finished threshold and against finished walls.

7. This model has 4" of total width adjustment: including 1/2" of adjustment per wall profile for out-of-plumb wall conditions plus 3" of overall width adjustment with the expanding top and bottom rails. **Be sure that you have ordered the correct model size to fit your finished opening.**

8. **This model requires a minimum 1-3/8" of flat threshold space for installation.**

9. **Professional installation recommended.**

**NOTE: This door is reversible for right or left-hand door installation. See step #4 for details. The right-hand door installation is shown as an example throughout this manual.**

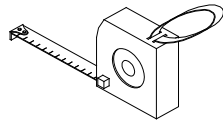


**NOTE: DO NOT** install the handle onto the door glass until instructed to do so. **DO NOT** attempt to lift the glass using the handle. This could result in damage to the glass and/or serious personal injury. Always use an assistant or a professional grade glass suction cup when handling heavy glass.

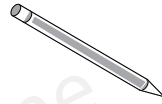
## Tools



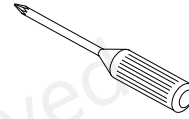
Level



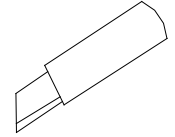
Tape Measure



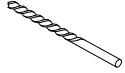
Pencil



Phillips Screwdriver



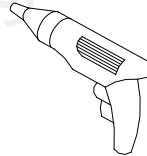
Razor Knife



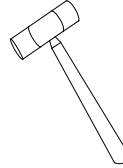
Drill bit  
(Ø=5/16")  
(8mm)



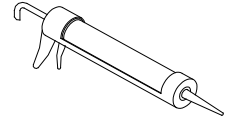
Drill bit  
(Ø=1/8")  
(3mm)



Power Drill



Hammer



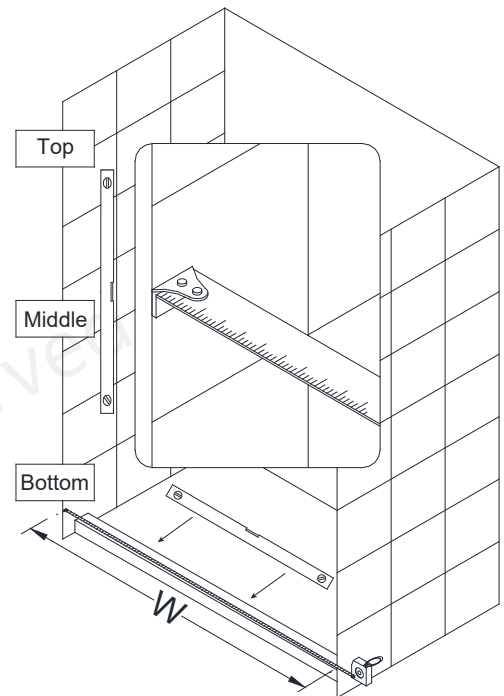
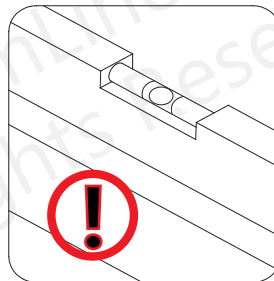
100% Silicone

**Tip:** Measure the finished opening before proceeding with the installation to be sure that the correct model size has been ordered.

**Tip:** Prior to installation, cover the shower/tub drain with tape to prevent losing screws or small parts.

**Tip:** Set screw gun clutch to low setting when installing screws and bolts to prevent stripping the heads.

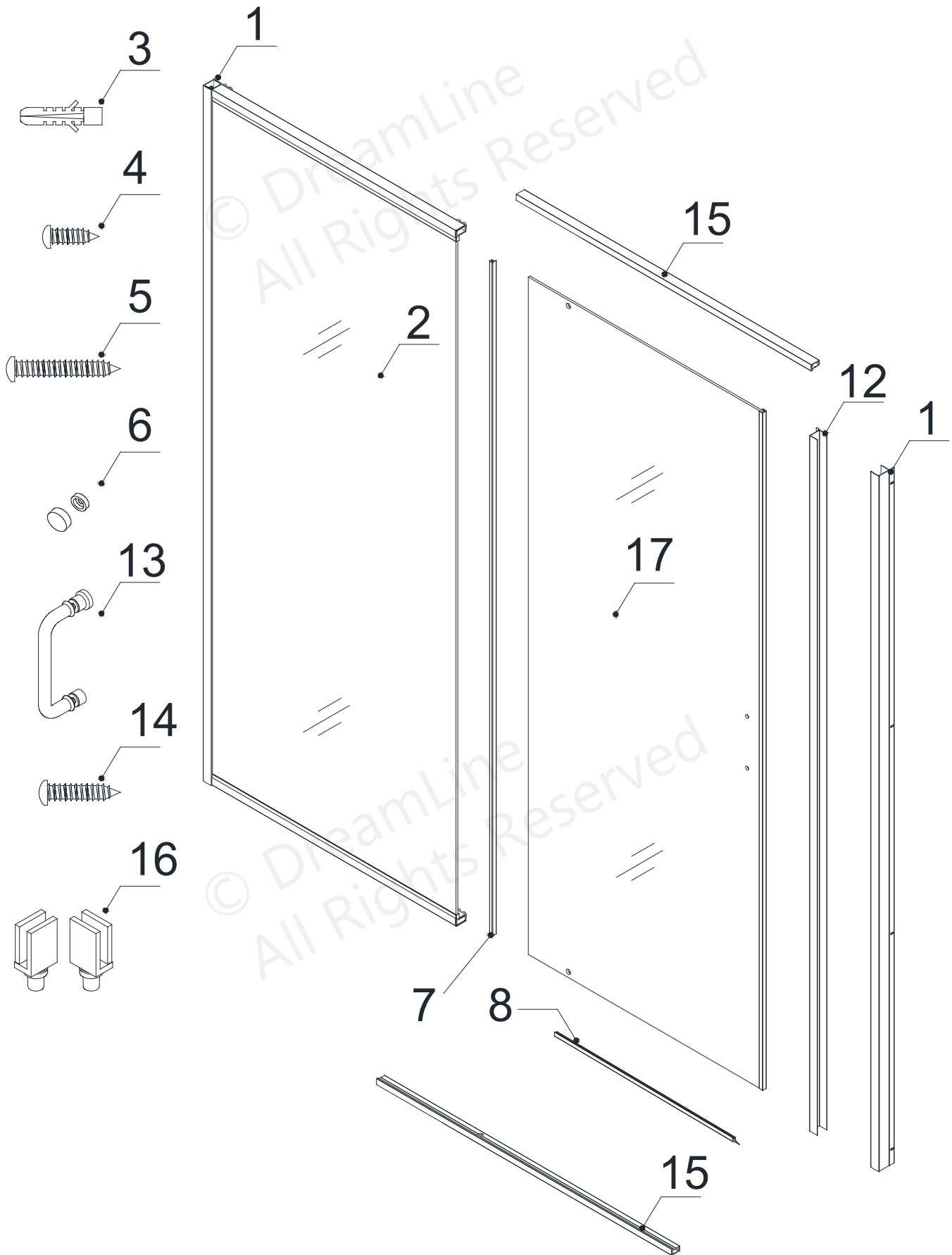
Threshold must be level.



**NOTE:** Unpack your unit carefully and inspect it. Lay it out and identify all parts using the detailed diagram and packing list in this manual as a reference. Before discarding the carton, check for small hardware bags that may have fallen to the bottom of the box. If any parts are damaged or missing, please contact DreamLine® for replacement. The shipping boxes may contain extra parts not used in your model configuration.

**NOTE:** Retain these installation instructions for future reference.

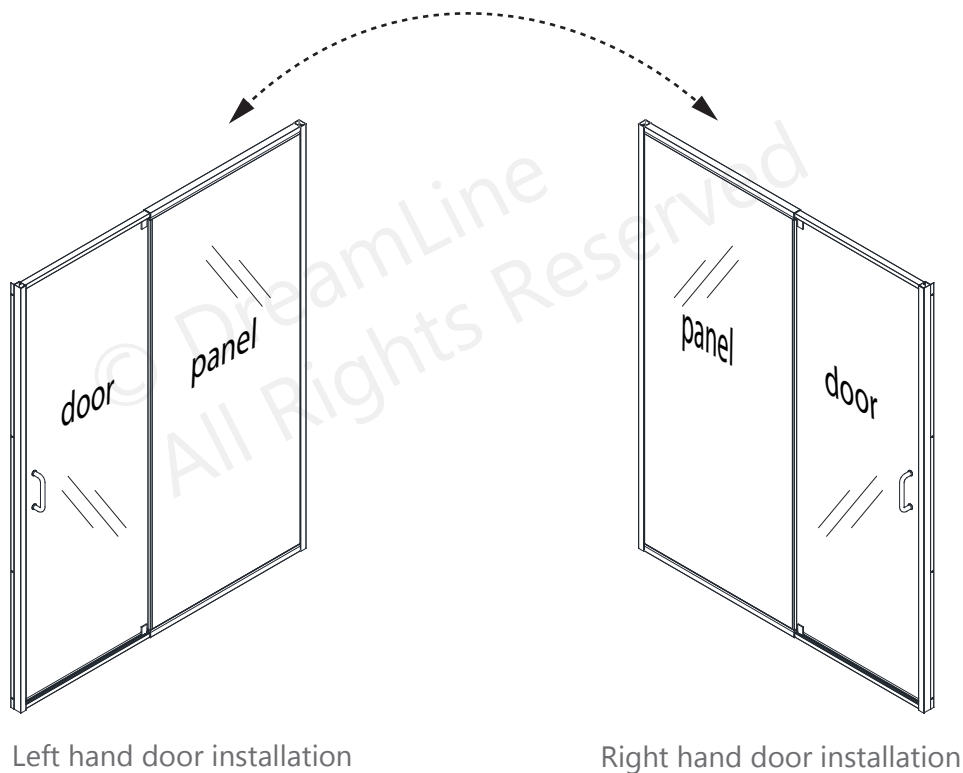
# Parts Diagram of Shower Door Components



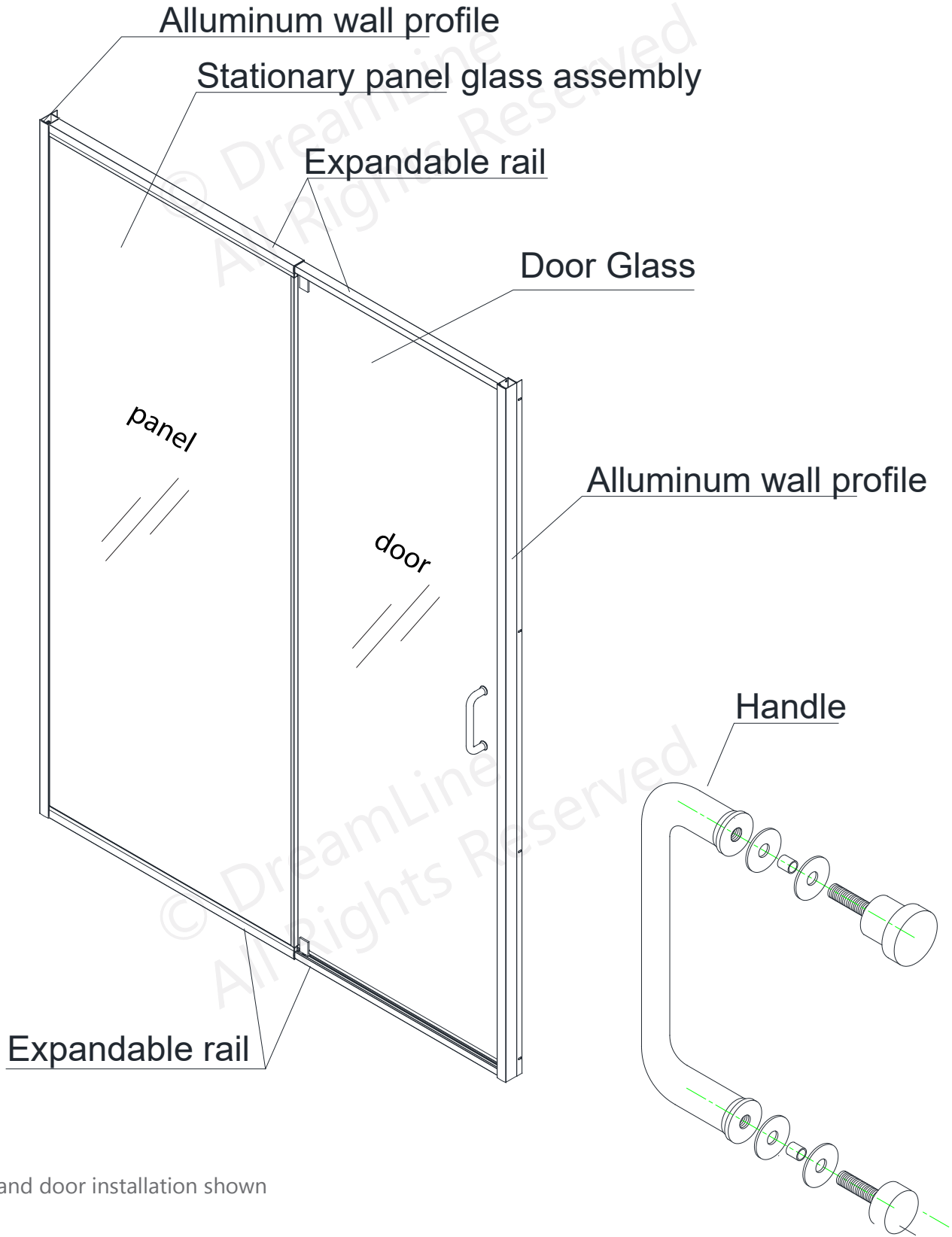
## Parts List

| Part# | DESCRIPTION                  | QTY   | Part# | DESCRIPTION                 | QTY  |
|-------|------------------------------|-------|-------|-----------------------------|------|
| 1     | Wall profile                 | 2pcs  | 12    | Magnetic Strike Profile     | 1pc  |
| 2     | Panel Glass assembly         | 1set  | 13    | Handle                      | 1pc  |
| 3     | Wall anchor                  | 8pcs  | 14    | ST4.2×25 Round head screw   | 4pcs |
| 4     | ST4.2×10 Round head screw    | 10pcs | 15    | Top & Bottom pivot Rail     | 2pcs |
| 5     | ST4.2×40 Truss head screw    | 8pcs  | 16    | Top & Bottom pivot Hardware | 2pcs |
| 6     | Decorative cap and washer    | 10pcs | 17    | Door Glass                  | 1pc  |
| 7     | Vinyl Seal with Flexible Fin | 1pcs  |       |                             |      |
| 8     | Bottom Sweep Vinyl           | 1pc   |       |                             |      |

This model is reversible for left or right-hand door installation. Determine the proper orientation for the installation by considering access, shower head position and possible obstructions such as a toilet or vanity. During the initial assembly, the entire frame can be flipped (upside down) top to bottom for either left or right hand door installation.



# Model Overview

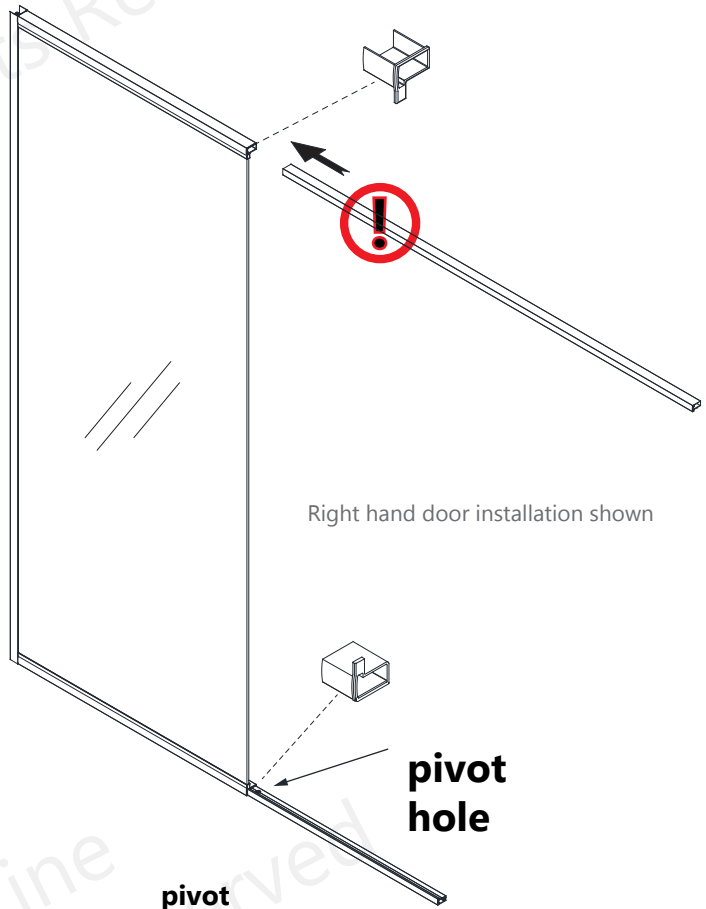
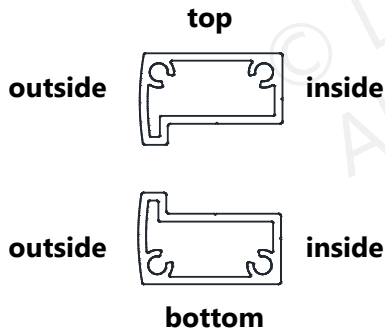


Right hand door installation shown

# Installation steps

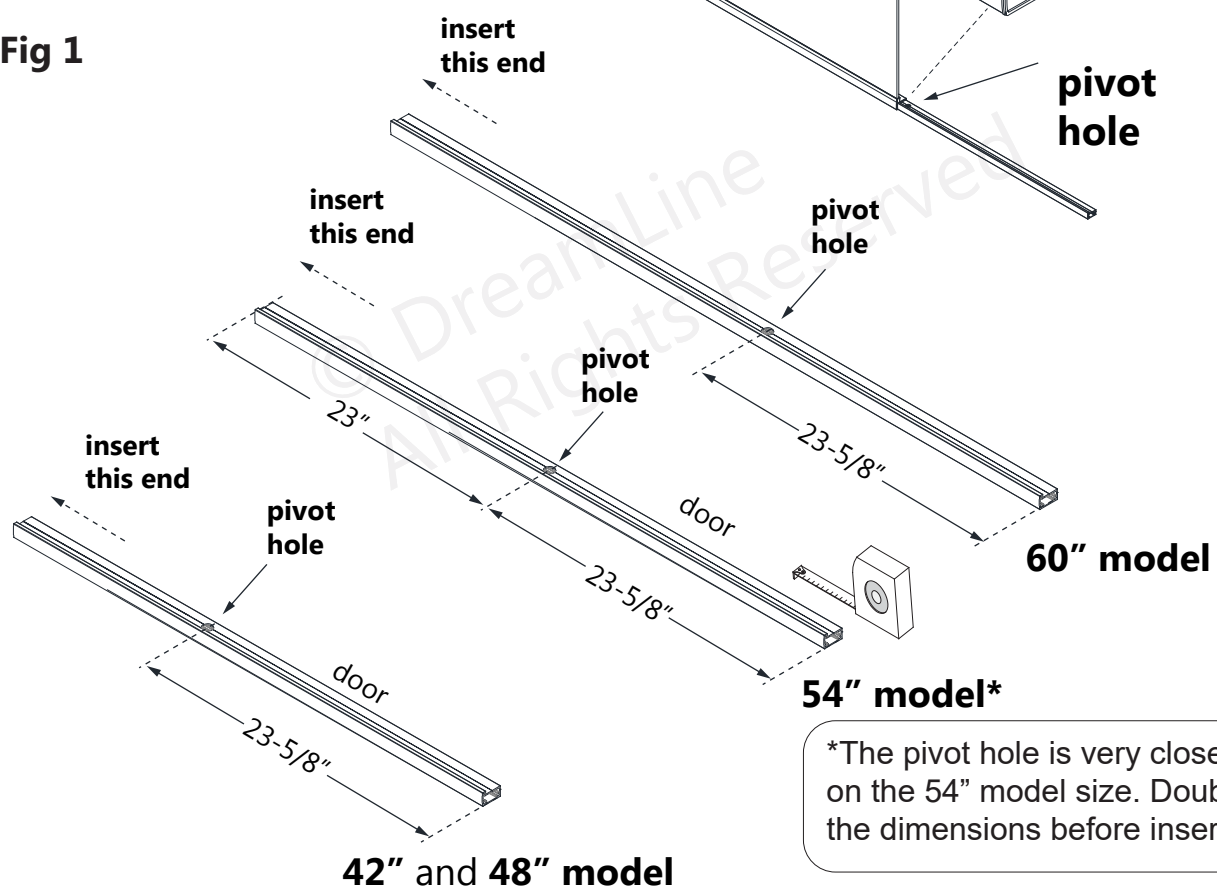
**1. Insert the Top & Bottom Pivot Rails (#15) into the expandable rails of the Stationary panel Assembly (#02). (Fig 1)**

- **SHDR-22427200-01 / SHDR-22487200-01 / SHDR-22547200-01:** Insert the end that is closer to the pivot hole
- **SHDR-22607200-01:** Insert the end that is farther from the pivot hole



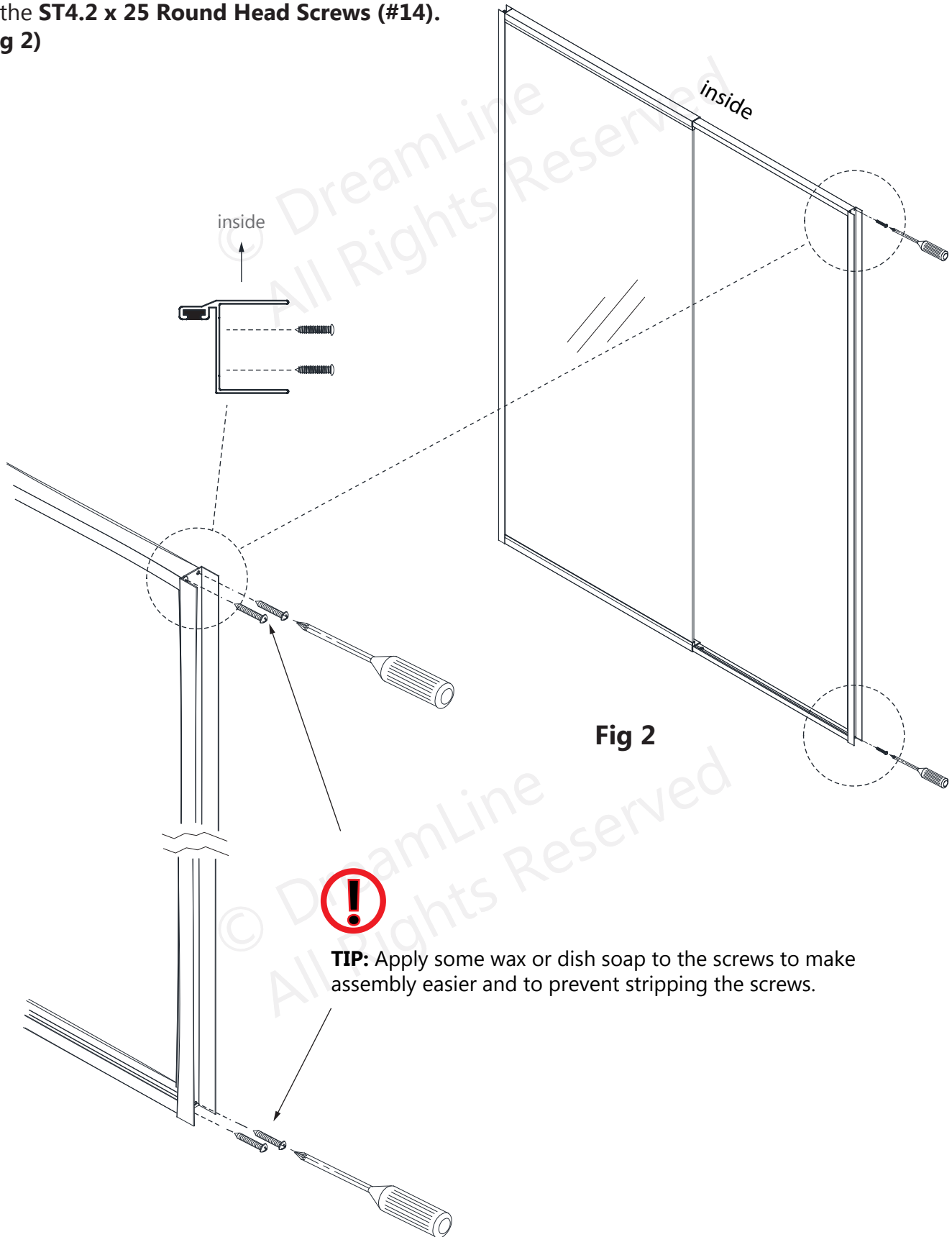
**!** Insert the correct end of the pivot rail based on the model size. (See below)

**Fig 1**



\*The pivot hole is very close to center on the 54\"/>

**2. Attach the Magnetic Strike Profile (#12) to the Top & Bottom Pivot Rails (#15) using four of the ST4.2 x 25 Round Head Screws (#14). (Fig 2)**

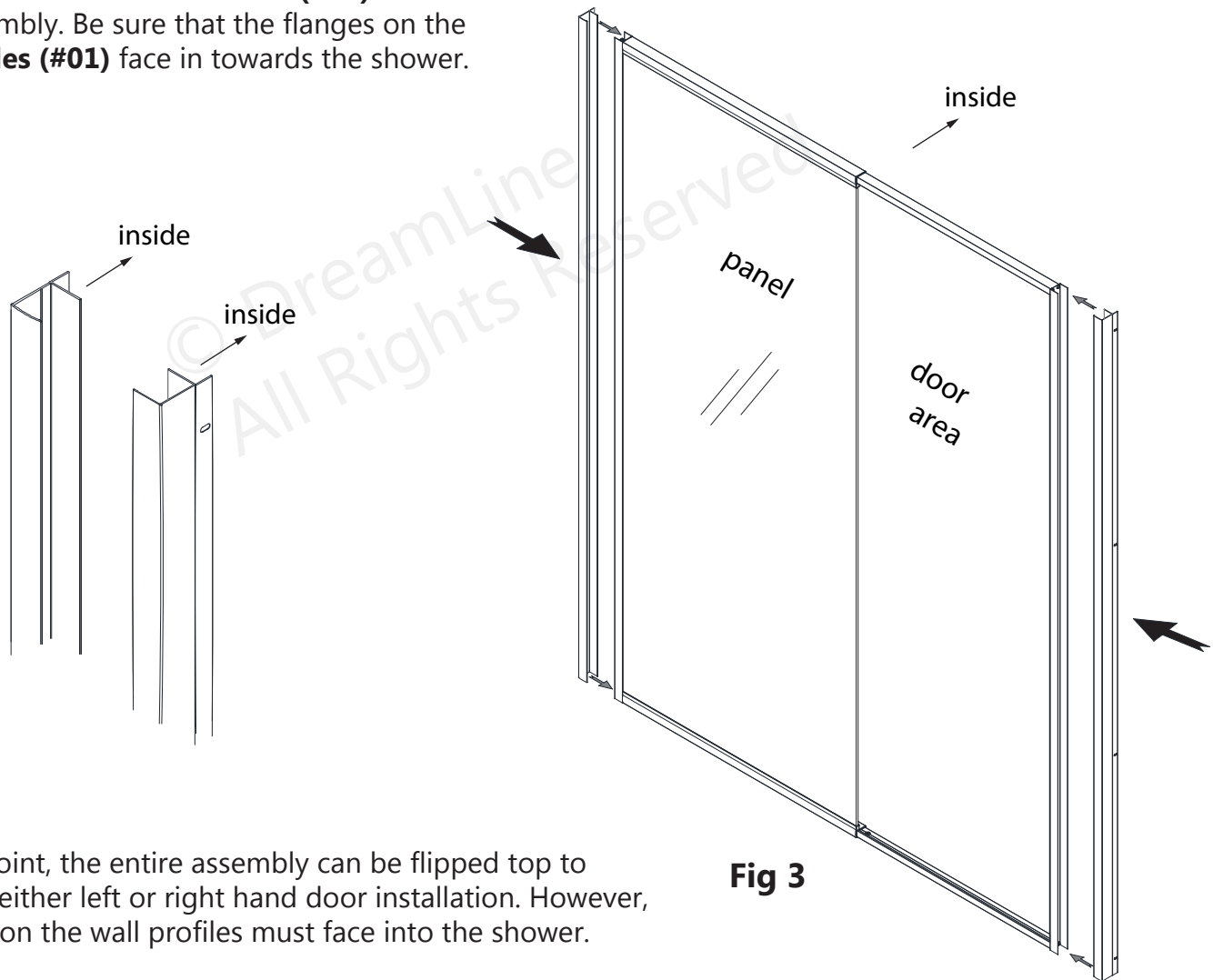


**Fig 2**

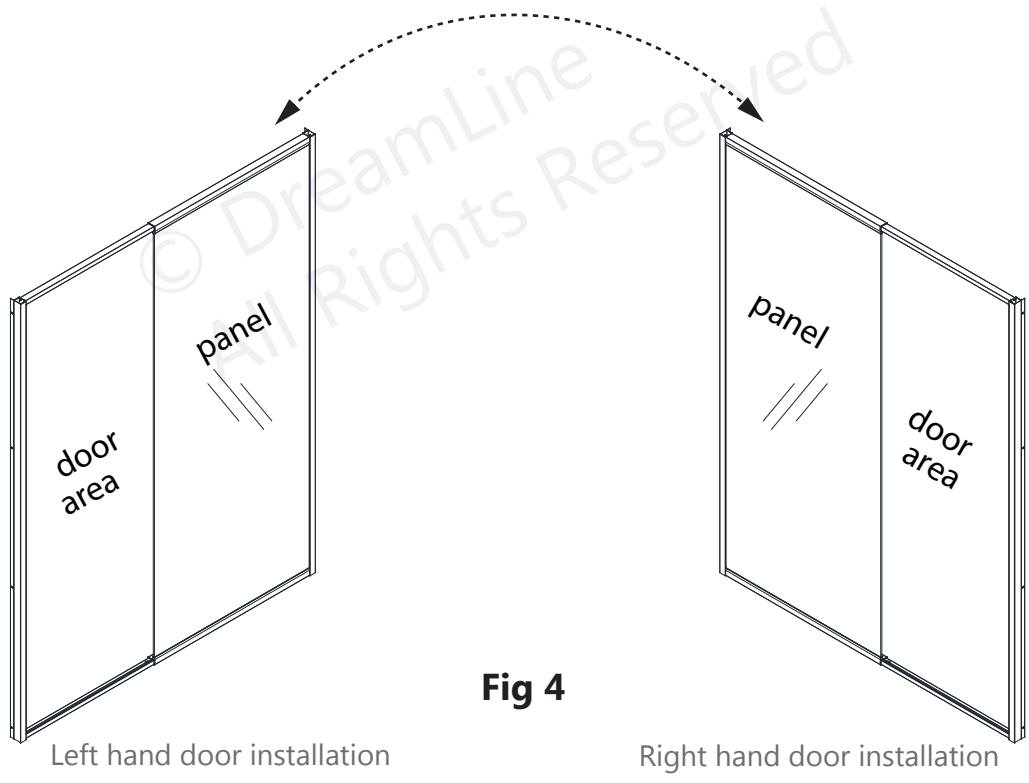


**TIP:** Apply some wax or dish soap to the screws to make assembly easier and to prevent stripping the screws.

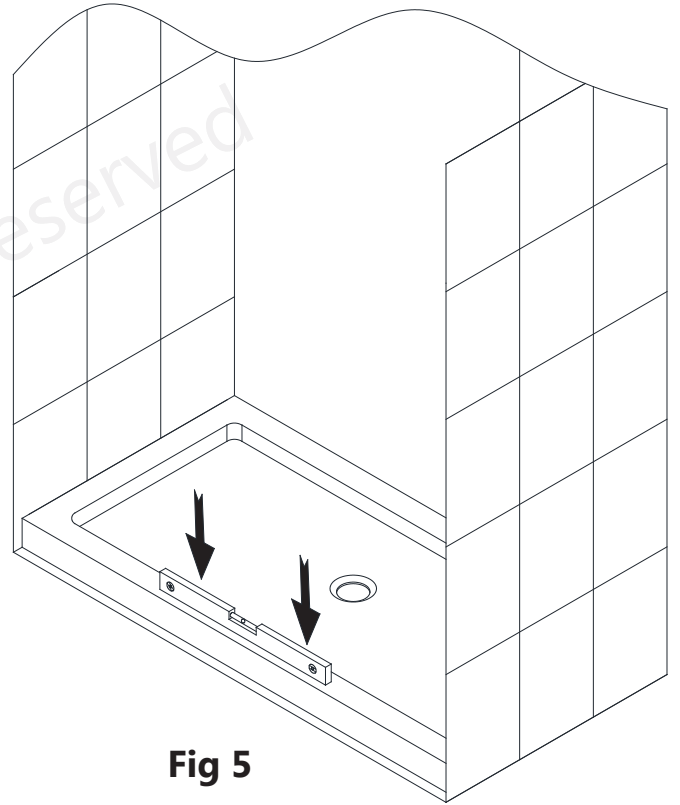
**3.** Slide both of the **Wall Profiles (#01)** over the frame assembly. Be sure that the flanges on the **Wall Profiles (#01)** face in towards the shower. **(Fig 3)**



**4.** At this point, the entire assembly can be flipped top to bottom for either left or right hand door installation. However, the flanges on the wall profiles must face into the shower. **(Fig 4)**

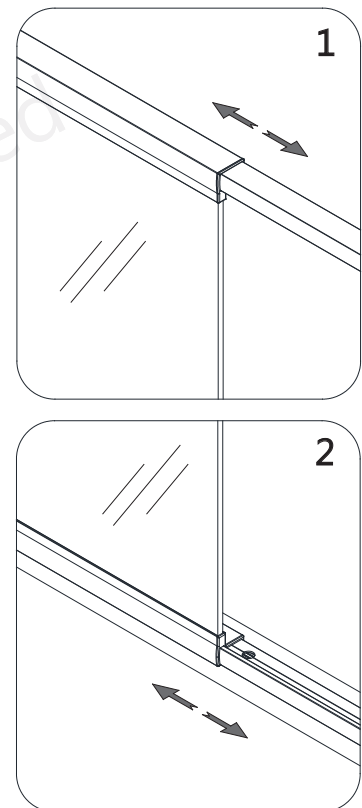
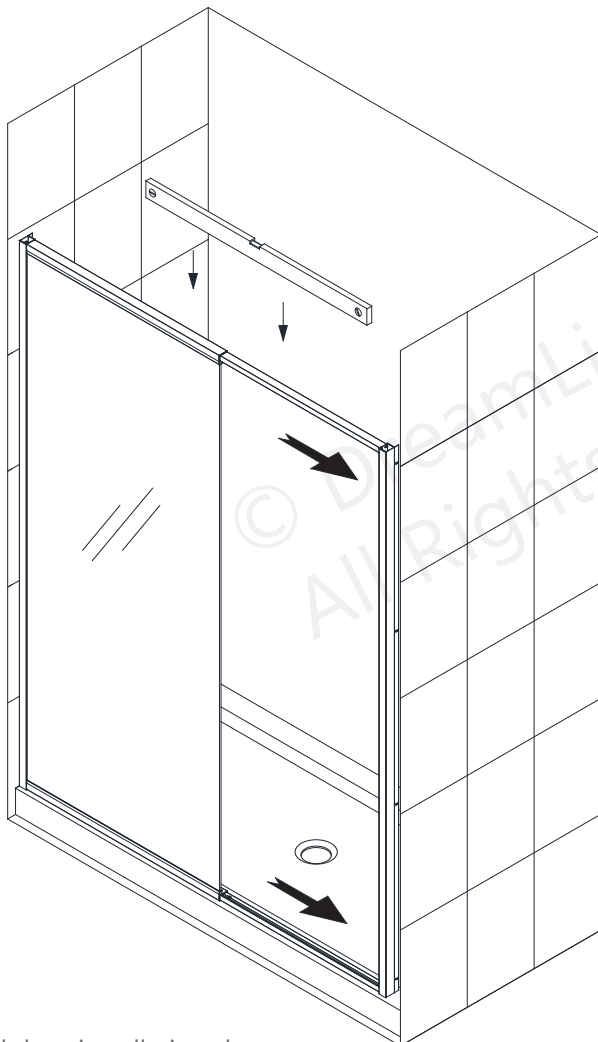


**5.** Check the threshold of the finished opening to make sure that it is level.  
(This model does not allow for out-of-level adjustment)  
**(Fig 5)**



**Fig 5**

**6.** Place the assembly onto the threshold at the desired location and extend the expandable **Top & Bottom Pivot Rails (#15)** evenly. **(Fig 6)**



**Fig 6**

Right hand door installation shown

**7. The opening for the door glass must be square.**

Measure the top and bottom of the door opening and adjust the **Expandable Rails** as necessary.

Push the **Wall Profiles (#01)** tight to the walls to compensate for up to 1/2" out-of-plumb per wall.

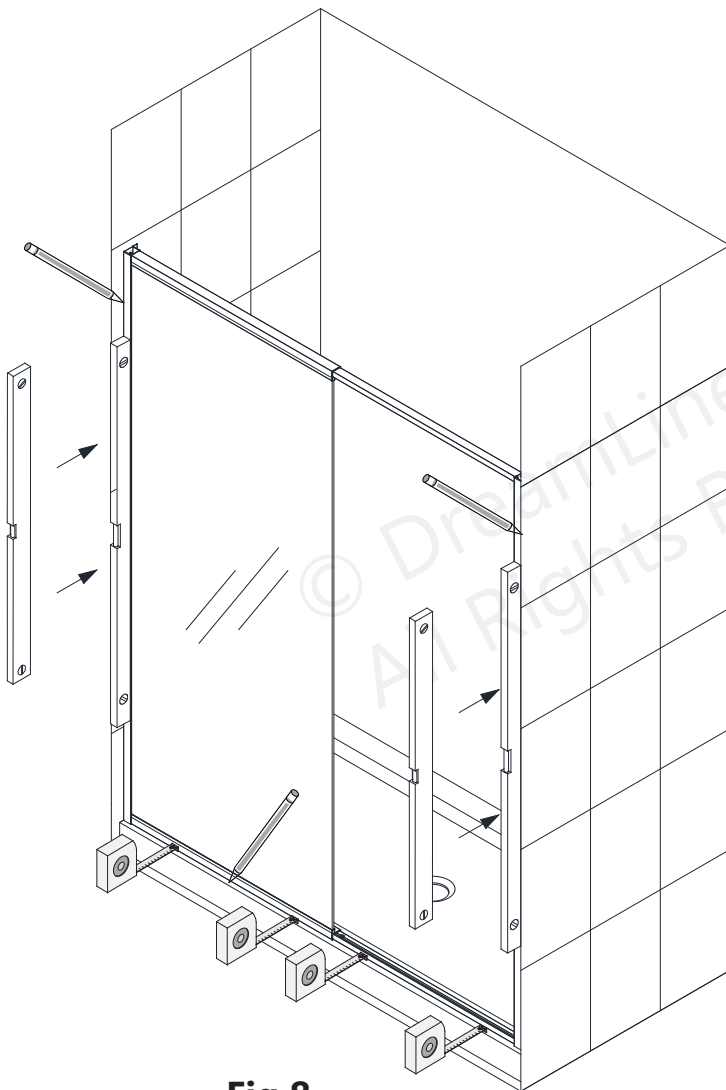
**(Fig 7)**



Make sure that the **Wall Profiles (#01)** are tight to the threshold and even with the top of the frame assembly.

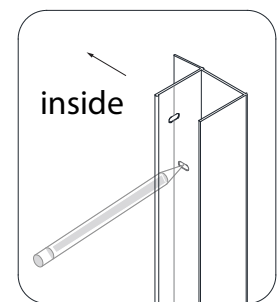
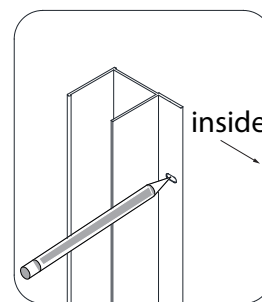


**Fig 7**

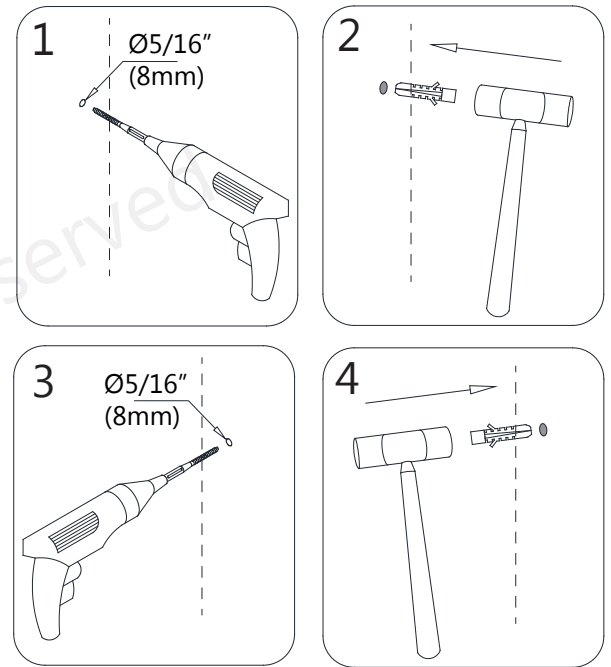


**Fig 8**

**8. Check that the frame assembly is plumb on the wall and even across the threshold. Mark the position of the **Wall Profiles (#01)** on the wall and mark the holes for drilling through the pre-drilled holes in the wall profile flanges. **(Fig 8)****

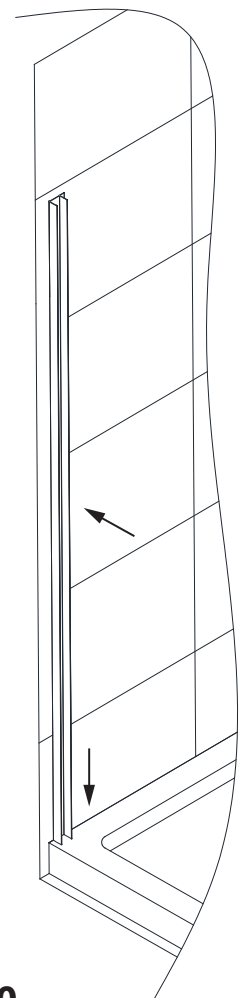
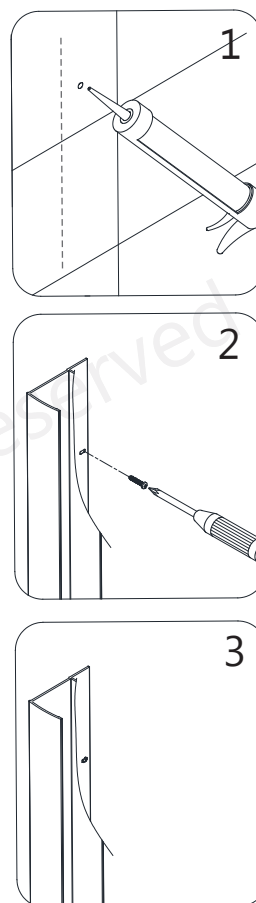
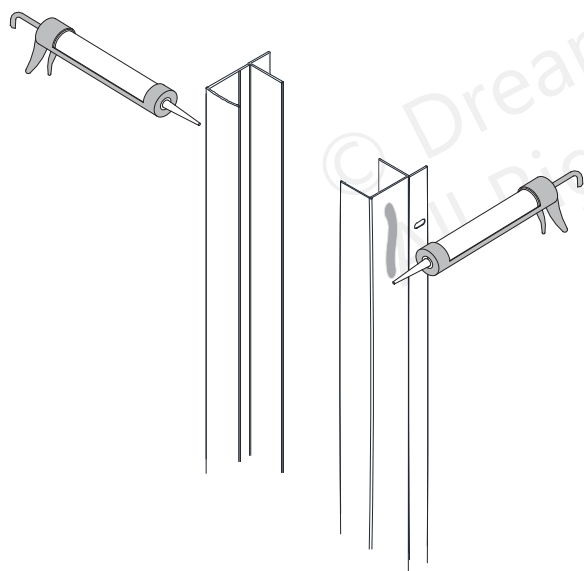


**9.** Move the frame assembly aside and remove the **Wall Profiles (#01)**.  
 Drill the holes into the walls using a **Ø5/16" (8mm)** drill bit and insert the **Wall Anchors (#03)**. **(Fig 9)**



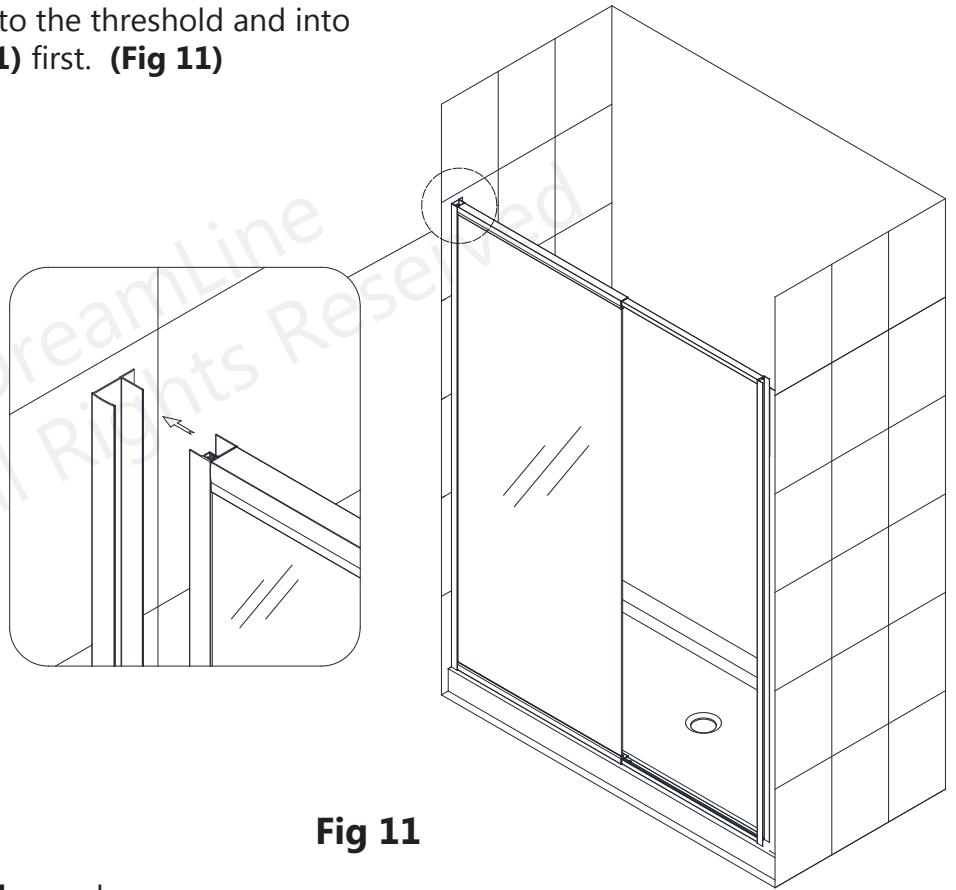
**Fig 9**

**10.** Apply a bead of silicone to the back of the **Wall Profiles (#01)** and the screw holes where the **Wall Profiles (#01)** will be installed. Attach the **Wall Profiles (#01)** to the wall using the **ST4.2 x 40 Truss Head Screws (#05)**. Repeat this process for the opposite wall profile. **(Fig 10)**



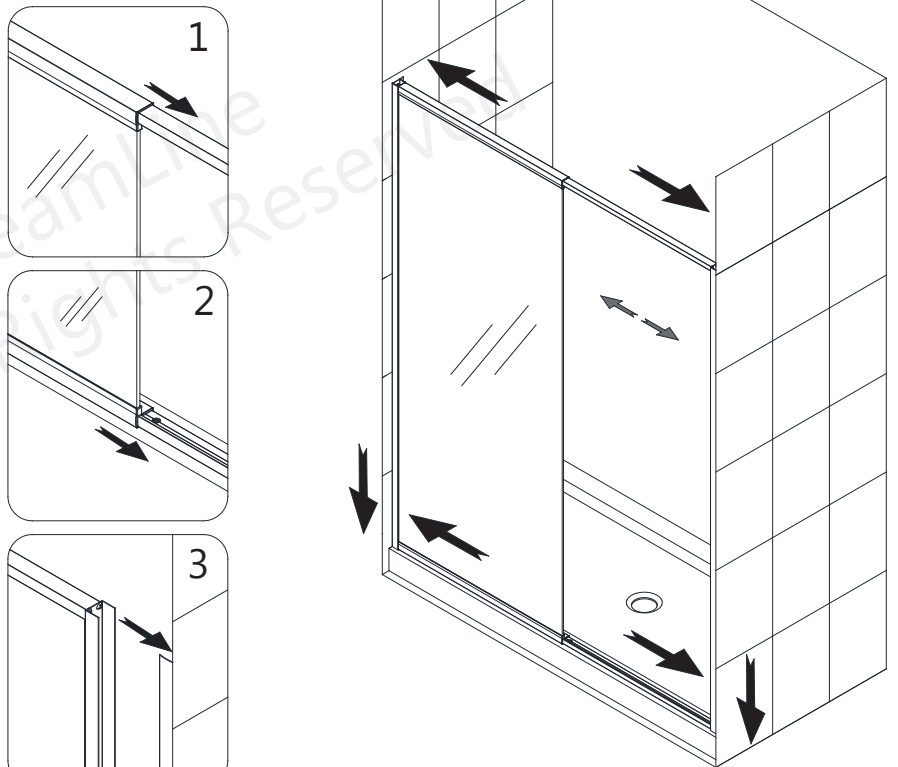
**Fig 10**

**11.** Place the assembly back onto the threshold and into the panel-side **Wall Profile (#01)** first. **(Fig 11)**



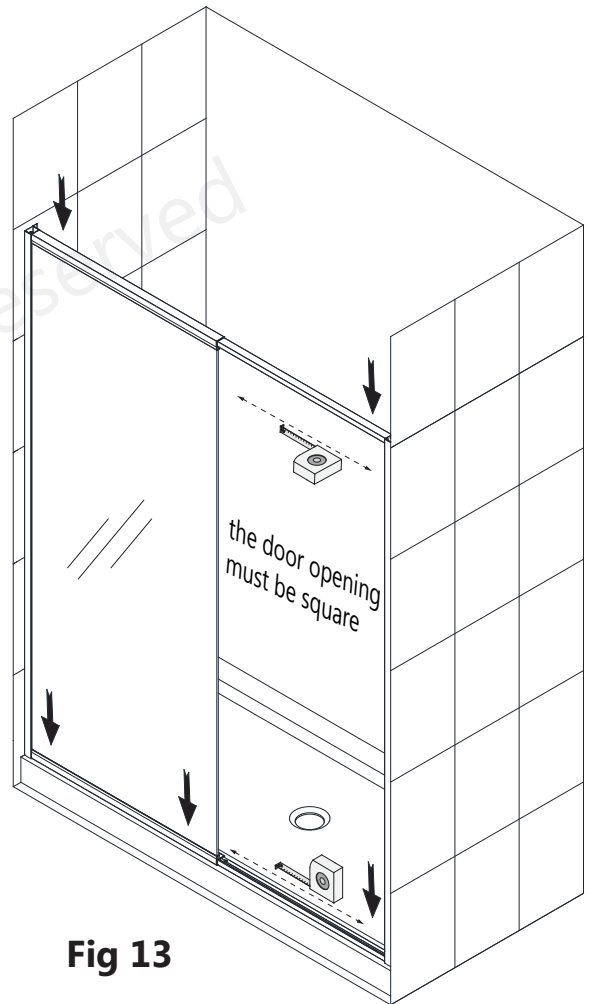
**Fig 11**

**12.** Extend the **Expandable Rails** evenly so that the **Magnetic Strike Profile (#12)** goes into the opposite **Wall Profile (#01)** on the door-side of the opening. **(Fig 12)**



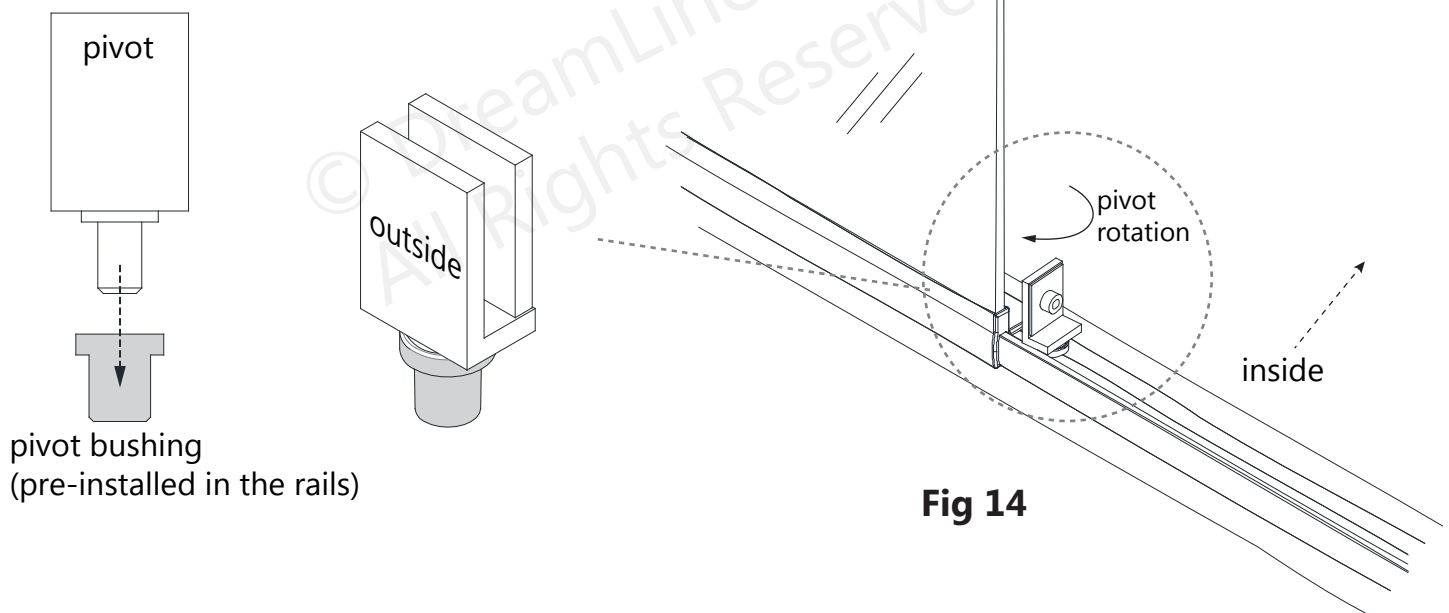
**Fig 12**

**13.** Check and adjust the door opening for square and make certain that the entire assembly is tight to the threshold. **(Fig 13)**



**Fig 13**

**14.** Install the **Top & Bottom Pivot Hardware (#16)** into the pivot bushings in the **Top & Bottom Pivot Rails (#15)**. **(Fig 14)**



**Fig 14**

Right hand door installation shown

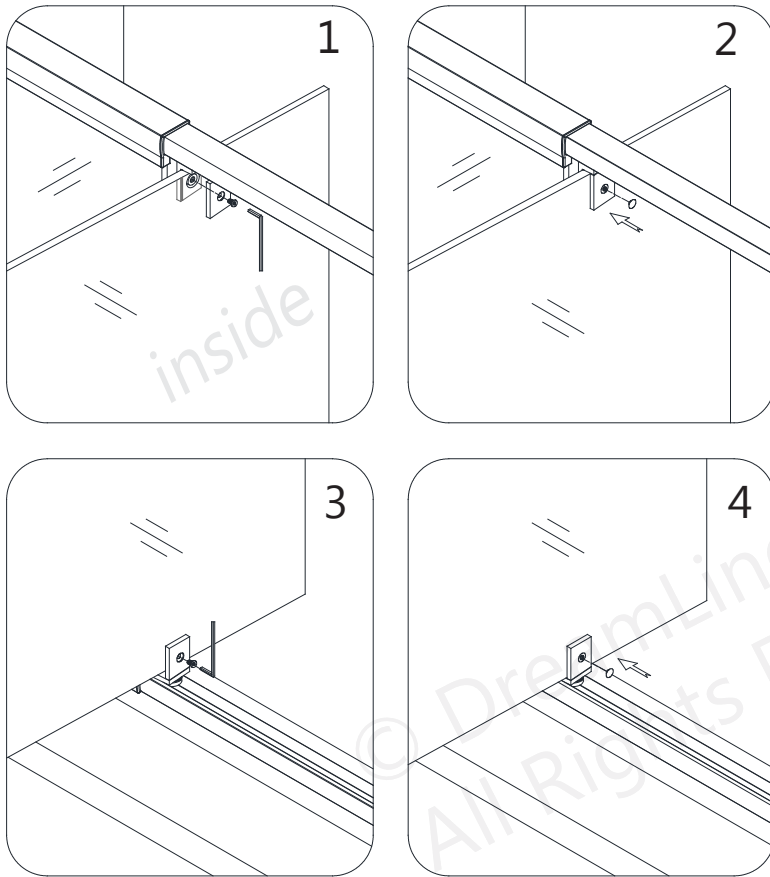


**NOTE: DO NOT** install the handle onto the door glass until instructed. **DO NOT** attempt to lift the glass using the handle. This could result in damage to the glass and/or serious personal injury. Always use an assistant or a professional grade glass suction cup when handling heavy glass.

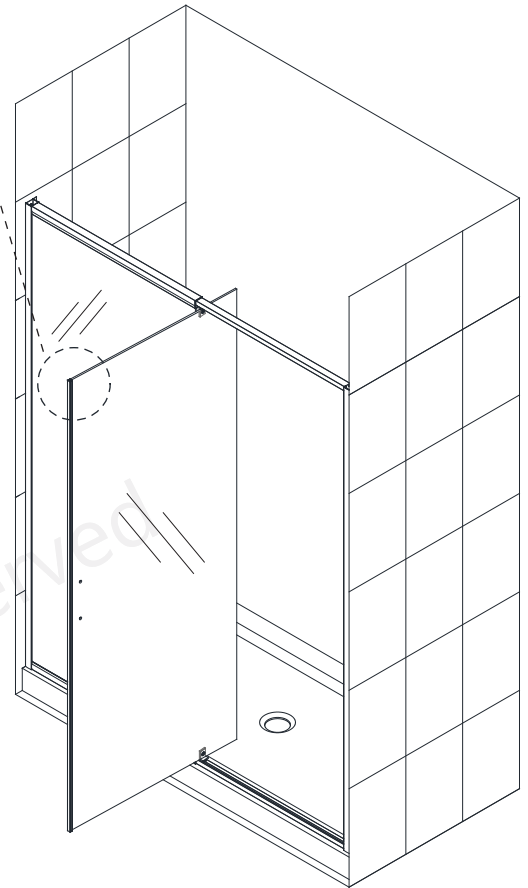
**15.** Carefully install the **Door Glass (#17)** onto the **Top & Bottom Pivot Hardware (#16)**. Make certain that all gaskets are in place to protect the glass. Cover the Pivot bolts with the decorative caps. **(Fig 15)**



**Note:** Make sure that the magnet edge of the door glass faces into the shower.

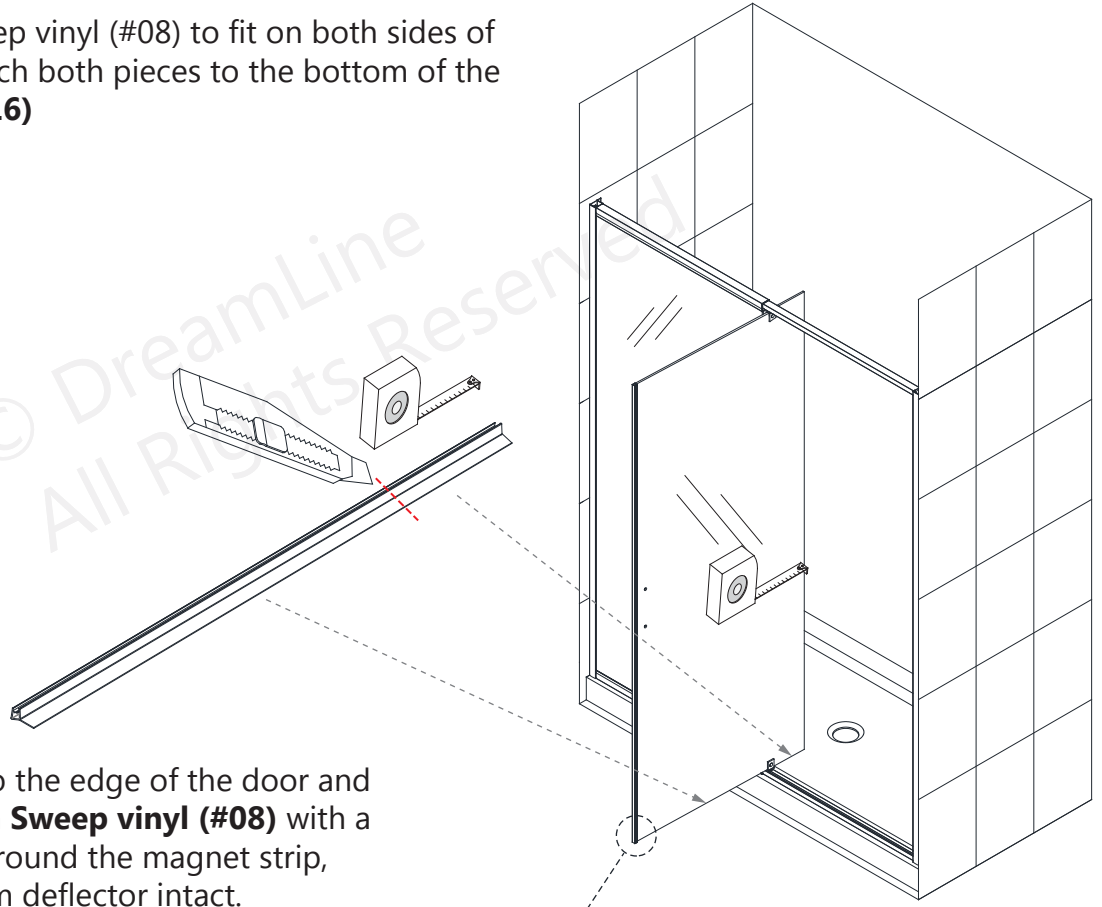


**Fig 15**



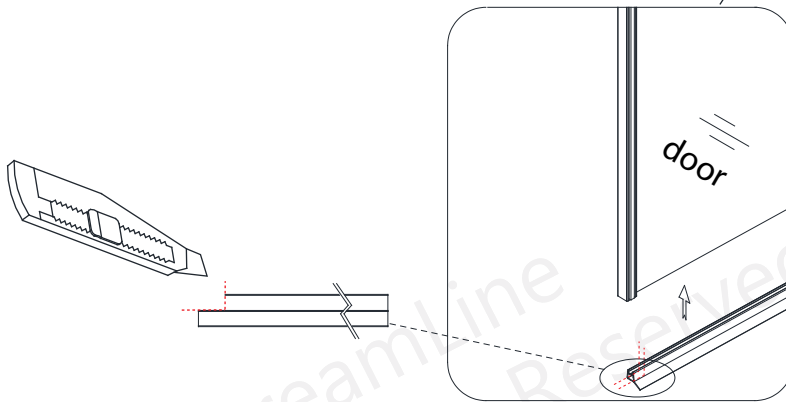
Right hand door installation shown

**16.** Trim the Bottom Sweep vinyl (#08) to fit on both sides of the bottom pivot and attach both pieces to the bottom of the **Door Glass (#17)** (Fig 16)

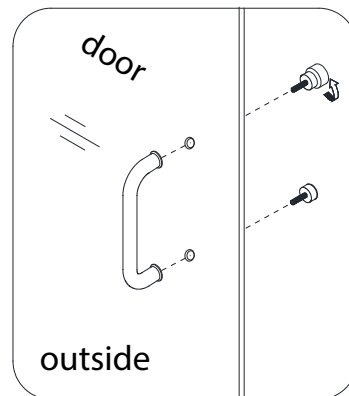


**NOTE:** Measure to the edge of the door and notch the **Bottom Sweep vinyl (#08)** with a razor knife to fit around the magnet strip, leaving the bottom deflector intact.

**Fig 16**



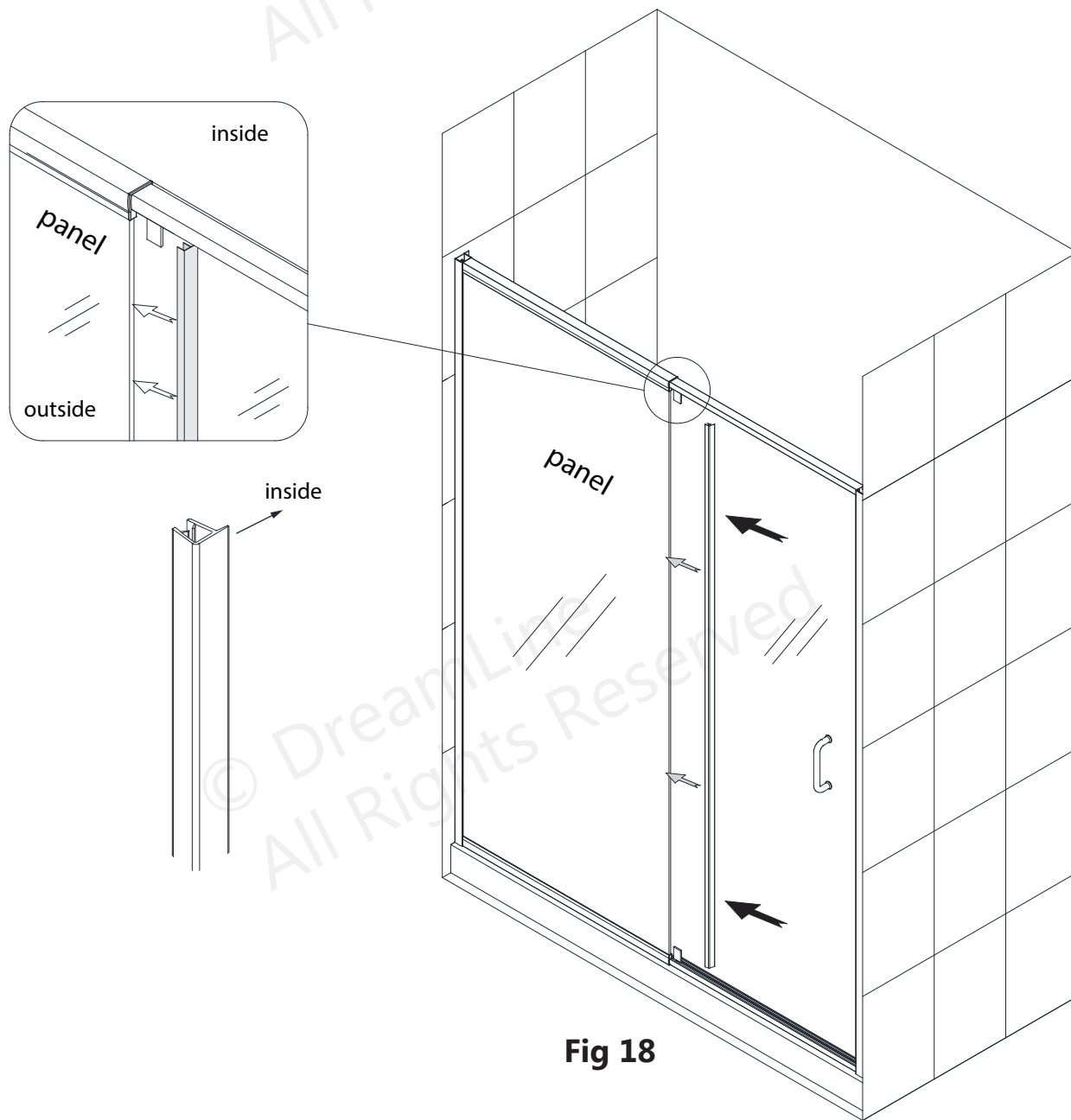
**17.** Attach the **Handle (#13)** to the **Door Glass (#17)**. (Fig 17)



**Fig 17**

Right hand door installation shown


**18.** Attach the **Vinyl Seal with Flexible Fin (#07)** to the vertical edge of the **Stationary Panel Glass (#02)** with the flange facing into the shower. **(Fig 18)**



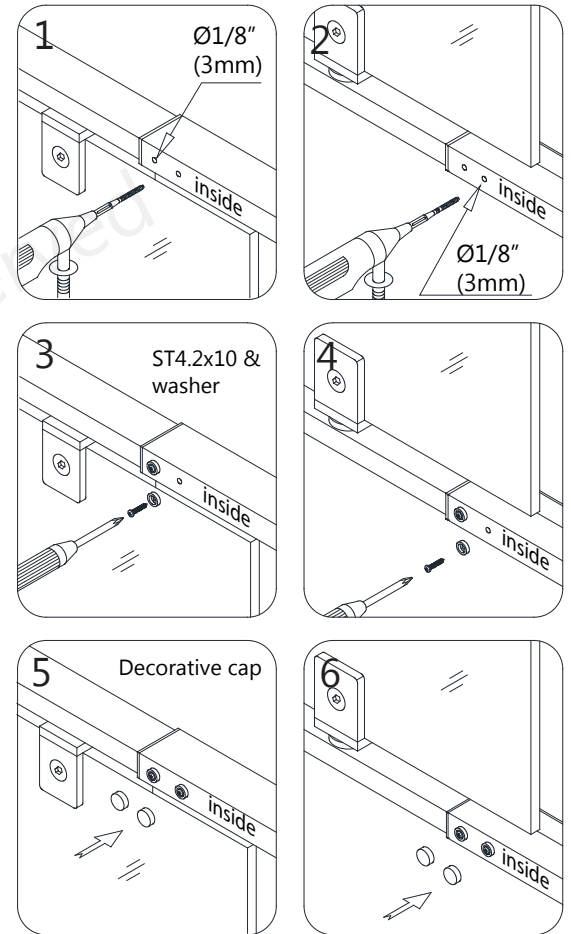
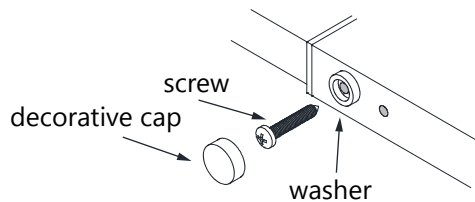
**Fig 18**

Right hand door installation shown

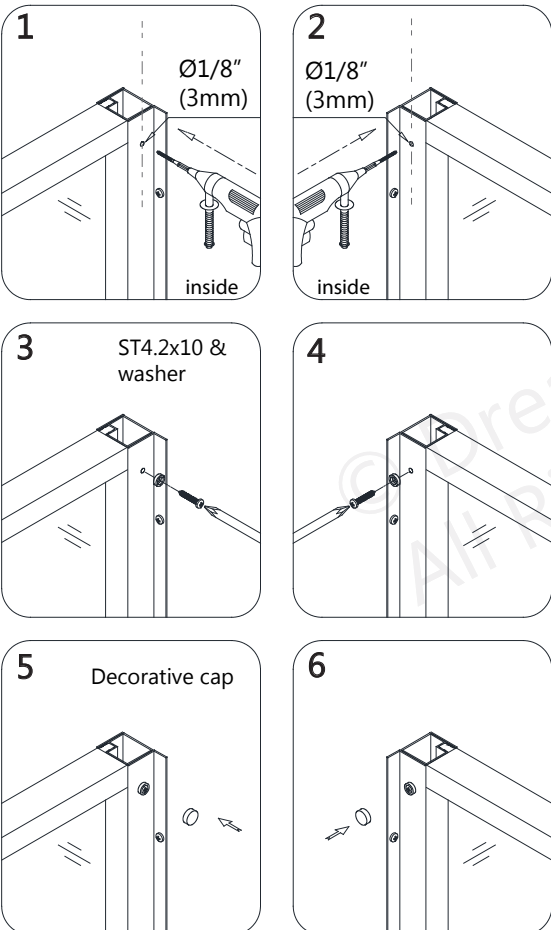
**19a.** Once all adjustments have been made, drill pilot holes from inside of the shower into the **Top & Bottom Pivot Rails (#15)** through the predrilled holes using an **Ø1/8" drill bit**.

 **NOTE: Do Not** drill the rails throughout, only through the first layer.

**19b.** Secure the Expanding rails using the **Round Head Screws ST4.2×10 (#04)** and the raised white **washers**. Cover the exposed screw heads and washers with the **Decorative Caps (#06)**. (Fig 19)




**Fig 19**



**Fig 20**

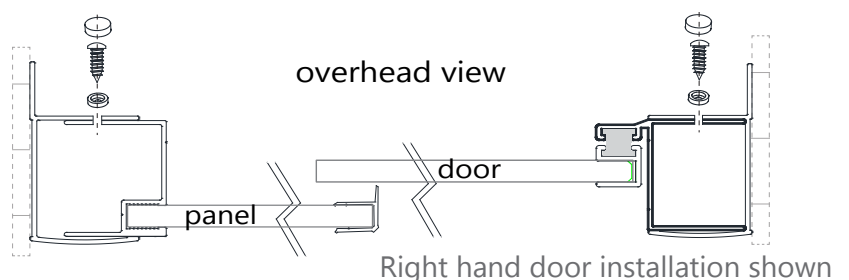
**20.** Make any final adjustments to the Door assembly within the **Wall Profiles (#01)**. Make sure that the entire assembly sits tight down onto the threshold.

From inside the shower, drill holes near the center of the **Wall Profiles (#01)** at the top and bottom of the profile using an **Ø1/8" drill bit**. (Fig 20.1 and 20.2)

 **NOTE: Do Not** drill the profiles throughout, only through the first layer.

Secure the Door assembly to the **Wall profiles (#01)** using the **Round head screws ST4.2×10 (#04)** and the raised white **washers**.

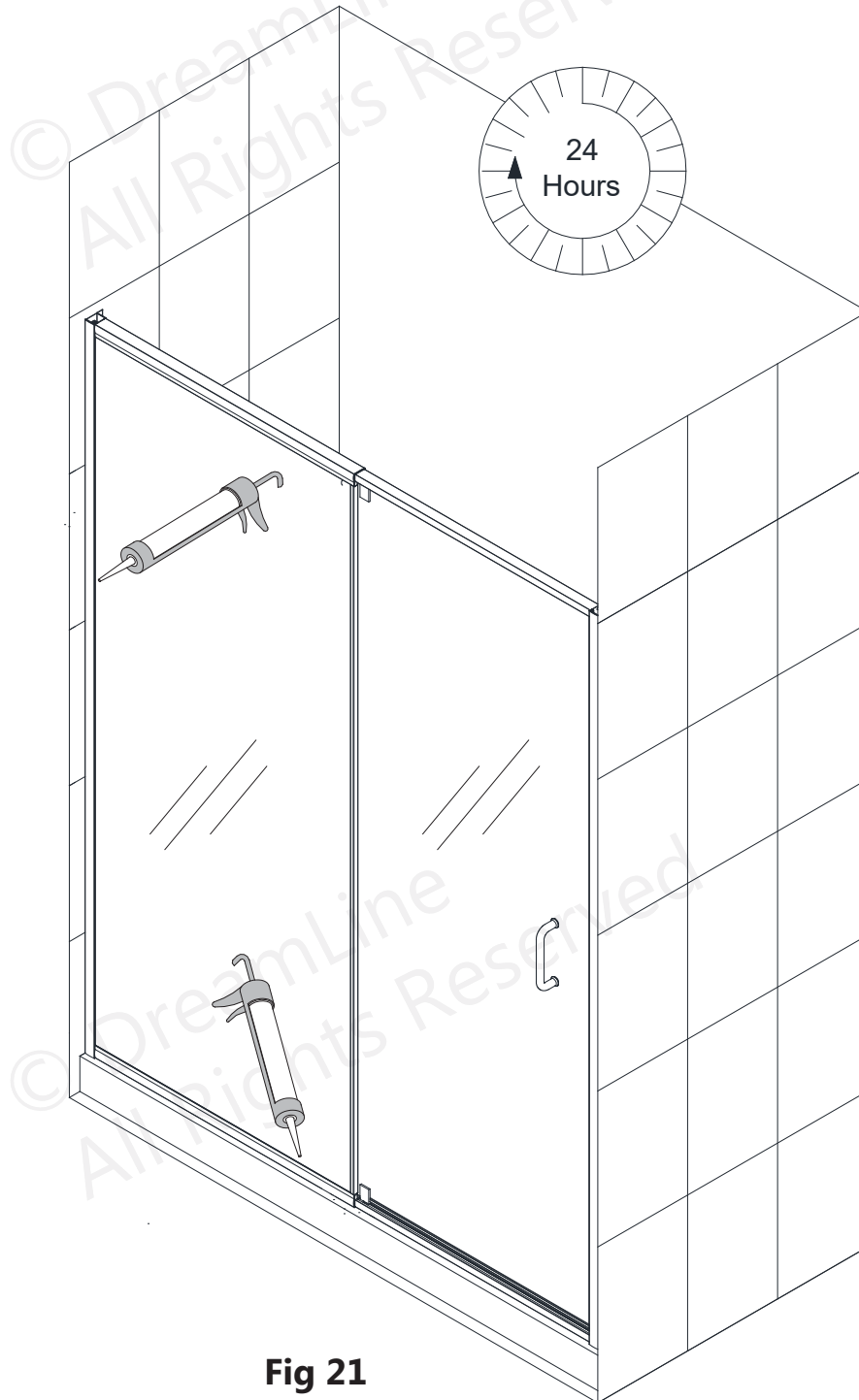
Cover the exposed screw heads and washers with the **Decorative Caps (#06)**. Repeat this step on the strike side wall profile as well. (Fig 22)



**21.** Apply a good quality mildew-resistant silicone around the interior perimeter along both walls and the threshold. **(Fig 21)**



**The surfaces need to be clean and free of debris before applying silicone. Allow 24 hours for the silicone to cure before using the shower.**



**Fig 21**

Right hand door installation shown

## Product Maintenance

**BASES and BACKWALLS:** To ensure long-lasting life for your acrylic back walls, wipe them off after each use with a soft cloth. To clean the acrylic back walls use non-abrasive sprays or cream based cleaners. Avoid the use of aerosol spray cleaners. Never use abrasive cleansers, metal brushes or scrapers that could scratch or dull the surface.

**GLASS:** To ensure long-lasting life for your glass shower products, wipe them off after each use with a soft cloth. Rinse and wipe off the glass using either a soft cloth or a squeegee to prevent soap buildup and water spots (Hard water can etch the surface of the glass over time if left to dry). To prevent scratching the surface: never use abrasive cleaners or cleaning products that contain scouring agents. Never use bristle brushes or abrasive sponges that may scratch the surface.

**HARDWARE:** To ensure a long-lasting finish, wipe off the metal parts after each use with a soft cloth. Do not use abrasive cleaners or cleaning products containing ammonia, bleach or acid. If accidentally used, rinse the surface as soon as possible to prevent damage to the finish (peeling or corrosion). After cleaning the polished finishes, rinse thoroughly and wipe dry with soft cloth. Clean stainless steel surfaces at least once a week. When applying stainless steel cleaner or polish to stainless steel hardware, work with (not across) the grain. Never use an abrasive sponge or cloth, steel wool or wired brush as these may permanently scratch the surfaces.

**NOTE: To maximize the life of your door, it is important to regularly inspect the glass and all hardware for misalignment, proper attachment, and/or damage. Contact DreamLine® with any questions or concerns.**

**DreamLine® shower doors and enclosures are designed not to leak when installed properly and the flow of water is not pointed directly at the pivots or vinyl seals.**

© DreamLine®  
All Rights Reserved

© DreamLine  
All Rights Reserved



© DreamLine  
All Rights Reserved

TEL: 866-731-2244  
FAX: 866-857-3638  
DREAMLINE.COM

For more information on DreamLine® Shower Doors and Enclosures please visit **DreamLine.com**