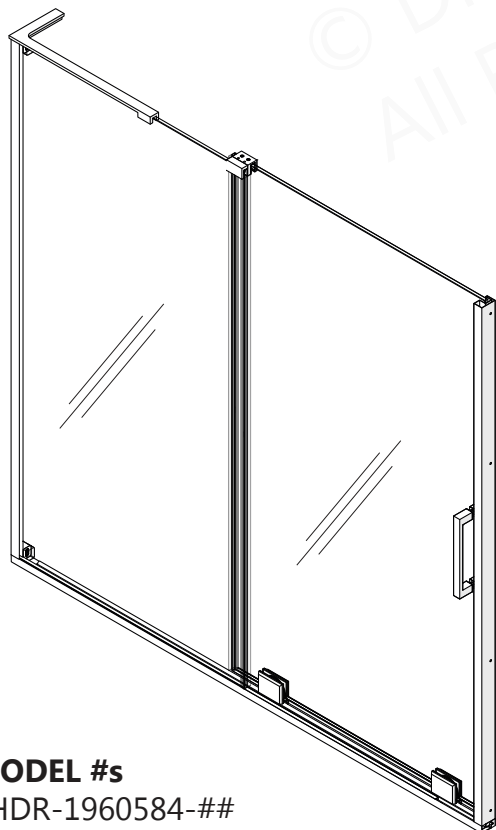


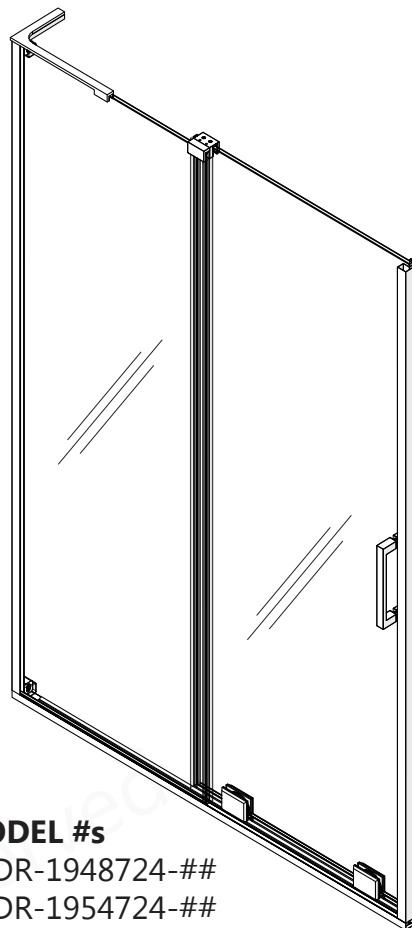
MIRAGE-Z

SHOWER AND TUB DOOR INSTALLATION INSTRUCTIONS

PLEASE REVIEW THIS ENTIRE MANUAL PRIOR TO INSTALLATION



MODEL #s
SHDR-1960584-##



MODEL #s
SHDR-1948724-##
SHDR-1954724-##
SHDR-1960724-##

= finish
01 - Chrome
04 - Brushed Nickel

*Right-hand door installation shown

IMPORTANT!

DreamLine[®] reserves the right to alter, modify or redesign products at any time without prior notice for the purpose of product improvement and customer experience. Please refer to the model's web page on **DreamLine.com** for the latest technical drawings, installation manuals, warranty information or additional product details.

Do Not Return Product to the Store. Contact DreamLine[®] with any questions



Questions?

Please Call **DreamLine** Customer Support: **1-866-731-2244**
Hours of Operation M-F 8AM - 6PM EST

Support@DreamLine.com





This model is treated with DreamLine's exclusive ClearMax® Glass technology. This is a specially formulated coating that prevents the build up of soap and water spots.

Install the surface with the ClearMax® label towards the inside of the shower. Please note that depending on the model, the glass may be coated on either one or both surfaces.

For best results, squeegee the glass after each use and dry with a soft cloth.

Record the following purchase information for your records or in the event you need to contact DreamLine®:

Purchase Order Number _____

Store/Vendor Purchased From _____

Installation Date _____

OD Number (optional) _____
*found on the shipping box or label if available.

Installed By: _____

SKU Number _____

Table of Contents

Section Title	Page #
ClearMax® Coating Information	—
Warnings and General Preparation	2
Model Specific Preparation	3
Tools	4
Detailed Diagram of Shower/Tub Door Components	5
Parts List	6-7
Installation Steps	8-37
SafeStop™ Bumper Installation	15-17
L-Bar™ Support Bracket Installation	22-24
Bottom Roller Assembly Installation	26-28
Top Guide Block Assembly Installation	29
Handle Installation	30
Strike Profile Installation	31-34
Deflector Vinyl and Vertical Vinyl Seal Installation	36
Product Maintenance	38
Troubleshooting	39
Bottom Roller Assembly Adjustment Procedure	40
Factory Parts Information	41-44

Symbol Legend



TIP - for ease of installation.



CORRECT - recommended.



NOTE - take note of special feature; additional information.

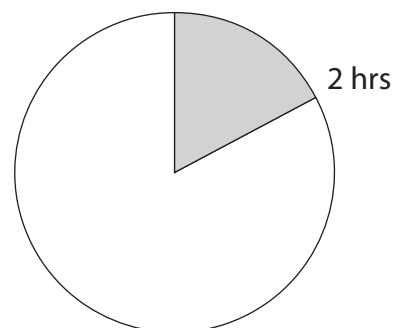


INCORRECT - not recommended.



REQUIRED - requires special attention; signifies a warning.

Average Installation Time



DREAMLINE®

dream in style

IMPORTANT

- DreamLine® reserves the right to alter, modify or redesign products any time without prior notice for product improvement and customer experience. Please refer to the model's web page on DreamLine.com for the latest technical drawings, installation manuals, warranty information or additional product details.
- This product should be installed by someone familiar with the construction requirements for this type of project and the care necessary for the safe installation and operation of the product.
- The safety of any installation is the responsibility of the installer.
- Professional installation recommended. (*All Models*)
- Professional installation required. (*Enigma Series*)
- To prevent damage or serious injury, Do Not lean against the installed panel/door/glass.
- To prevent damage or serious injury: Do Not attempt to lift or move a heavy lite of glass alone. Use an assistant and/or a professional grade glass suction cup.
- The installation of some models may require drilling down into the threshold. Contact the manufacturer of the base, tub, or threshold material with any questions regarding the drilling of holes into their product.
- All drawings in this installation manual are for illustrative purposes only and are not drawn to scale.

TEMPERED GLASS WARNING

- Your Shower Door Glass Could Shatter Without Warning if Improperly Installed or Mishandled
- Do Not install or operate a shower door if the glass has chipped corners, slivered edges or is otherwise damaged and/or has been dropped or banged into a hard surface such as tile, marble or glass.
- **The main causes of tempered glass breakage are:**
 - Improper handling, storage or installation
 - Misuse/abuse
 - Lack of maintenance
 - Failure to replace damaged glass
 - **Improper handling during storage, unpacking and installation:**
 - Corners and edges are the most susceptible area to damage on a lite of tempered glass and should be protected and handled with care during storage, unpacking, installation and operation. A concentrated point of pressure or impact with a surface harder than itself may cause the tempered glass to shatter. The tempered glass may release immediately, within several hours or even days later.
 - **Incorrect installation of door hardware, rollers, hinges, channels, stopper or glass:**
 - Improper installation may include: loose hardware and/or lack of proper gaskets between the hardware and glass. Additionally, improper alignment of guide rails, wall profiles or other hardware during installation or operation may place stress on the glass edges and cause it to break.
 - This product must be installed by a professional and experienced installer familiar with the safe handling of tempered glass.
 - **Improper use of this product:**
 - Aggressively opening or closing the door may cause trauma to the glass, which can lead to breakage. This may occur immediately or hours or even days later.
 - **The shower door hardware and glass should be inspected periodically:**
 - Instruct the homeowner how to perform a periodic inspection of the shower hardware and glass - some minor adjustments may be necessary based upon the use (or misuse) of the shower door. Ensure that the hardware remains tight and that the door alignment and operation are correct. Any adjustments should be made upon discovery to prevent damage to the product.
 - Additional considerations should be given to the installation of frameless tempered glass products in households with young children or an elderly person due to an increased chance of improper handling. In such cases, alternatives such as shower curtains or grab bars should be considered.

GENERAL PREPARATION

- After opening all boxes and packages, read this introduction carefully. Check that all the items are included in the package by marking off the components on the "**Detailed Diagram of Product Components**" page. Examine all boxes and packages for shipping damage. If the unit has been damaged, has a finishing defect, or is missing parts; please contact our Customer Support department within 3 business days of the delivery date. **Please note that DreamLine® will not replace any damaged products or missing parts free of charge after 3 business days or if the product has been installed.** Please contact DreamLine® if you have any questions.
- **Please note that you should refer to your local building codes with questions on installation compliance standards. Building and plumbing codes may vary by location, and DreamLine® is not responsible for code compliance standards for your project and will not accept any returns.**
- If this unit is going to be installed in a new construction, install all the required plumbing and drainage before installing the shower. **Use a competent and licensed (if required by local code) plumber for all plumbing installation.**
- Make sure that prior to beginning the installation, the surfaces are leveled and solid and will be able to support the total weight of the unit. Also make sure the walls are at right angles. Irregular installation surface level, radius corners or improper angle of side walls will result in serious problems for your installation. Please note that some adjustments and drilling will be necessary during the installation process.
- Protect all primary surfaces of the product during installation. Never set your glass down directly onto a tile floor. Leave corner protectors in place until it is necessary to remove them. Always use a piece of wood or cardboard to protect the bottom edge and corners of the glass prior to and during installation.
- This unit must be installed upon a finished threshold and against finished walls.
- *DreamLine® shower doors are not designed to be installed into a fiberglass surround due to the radius corners and lack of a solid surface to mount the hardware.*

WARNING: TO AVOID THE RISK OF DAMAGE OR INJURY:

- **Follow all recommendations and requirements as shown in the installation instructions.**
- Perform a thorough inspection of the glass and all parts for any damage prior to installation. Any damage to tempered glass can cause breakage.
Do Not install damaged glass!
- Do Not install or operate a shower or tub door if the glass has chipped corners, slivered edges or is otherwise damaged. Do Not install or operate a shower or tub door that has been dropped or banged into a hard surface such as tile, marble or glass.
- **CAUTION:** Contact with any hard surface can damage tempered glass and cause it to shatter.
- This product uses tempered glass. Glass cannot be cut after it has been tempered.
Do Not attempt to cut tempered glass.
- DreamLine® Glass Shower doors, Tub doors, Inline panels, and Return panels can shatter due to improper handling or lack of maintenance. Conduct periodic inspections of glass and all parts for possible damage, missing or loose parts.
- Always wear proper safety equipment such as: safety goggles, work gloves and appropriate footwear during the installation process.
- **WARNING. Risk of leakage and/or damage.** Follow all instructions regarding the application of silicone sealant or caulk. Allow 24 hours for the sealant to cure before the initial use of the shower or tub product. Follow the silicone manufacturer's recommendations regarding the use of their product.
- **Thoroughly read these instructions before installing or using this product.**
- **Leave this manual for the end-user of the product.**



This product should be installed by someone familiar with the construction requirements for this type of product and the care necessary for the safe installation and operation of the product.

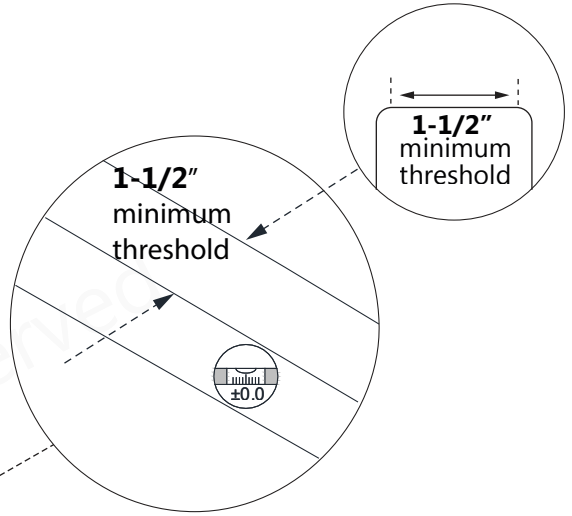
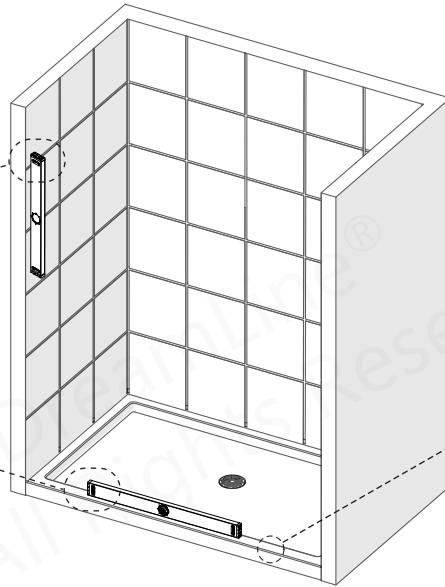
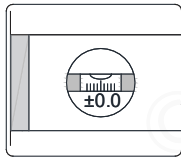
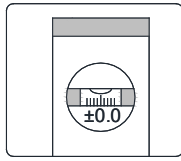


Professional Installation recommended

Model Specific Preparation

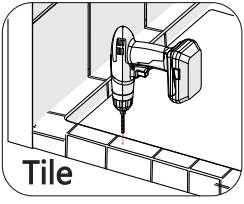


REQUIRED:

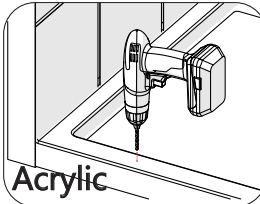


1-1/2" minimum threshold

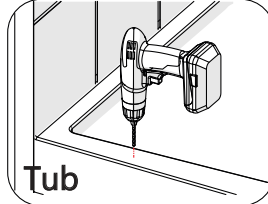
1-1/2" minimum threshold



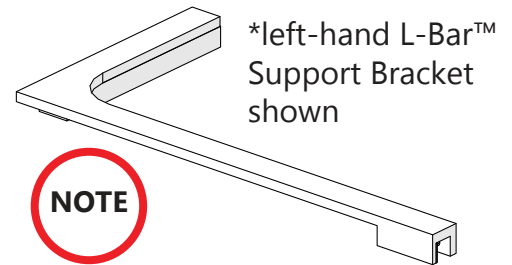
Tile



Acrylic



Tub

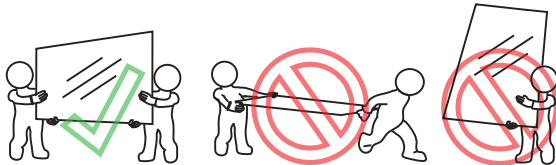


*left-hand L-Bar™ Support Bracket shown

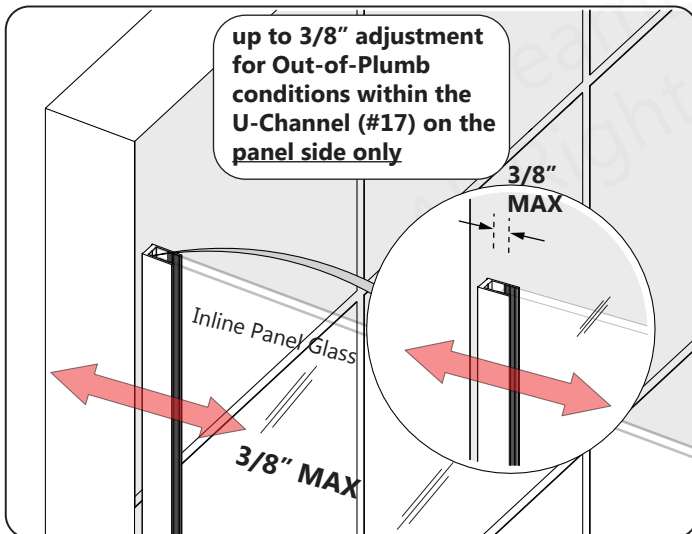
NOTE



Contact the manufacturer of the base, tub or threshold material with any questions regarding the drilling of holes into their product.



This door recommends professional installation. Two installers recommended.



up to 3/8" adjustment for Out-of-Plumb conditions within the U-Channel (#17) on the panel side only

3/8" MAX

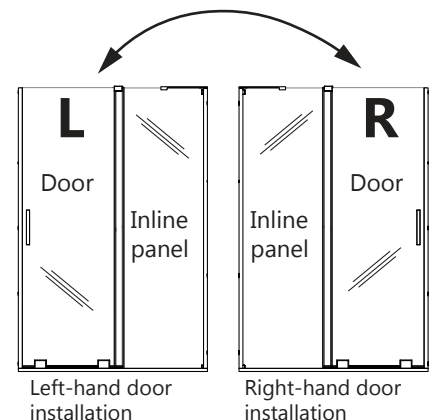
Inline Panel Glass

3/8" MAX

*left-hand Inline Panel Glass installation shown

NOTE

This model is reversible for Left or Right-hand door installation. The right-hand door installation is used as an example throughout this manual. For a Left-hand door installation, simply reverse the orientation of the steps shown and begin on the opposite wall.



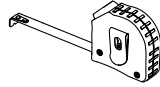
Left-hand door installation

Right-hand door installation

Tools



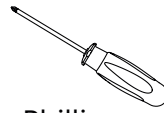
Level



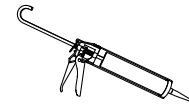
Tape Measure



Pencil



Phillips Screwdriver



100% Silicone



Power Drill



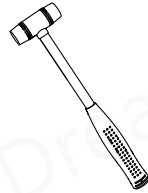
Drill Bit
Ø1/8"
(3mm)



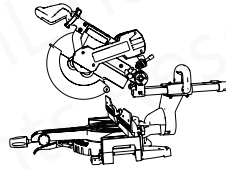
Drill Bit
Ø3/16"
(4mm)



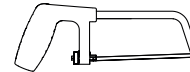
Drill Bit
Ø5/16"
(8mm)



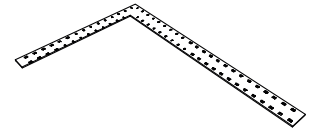
Soft Head Hammer



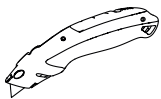
Mitre Saw



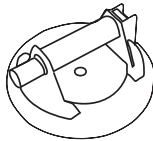
Hacksaw



Carpenter's Square



Razor Knife



Professional-grade
Glass suction cup



Extender Driver Bit



Safety Glasses



Work Gloves



Measure the finished opening before proceeding with the installation to be sure that the correct model size has been ordered.



Prior to installation, cover the shower/tub drain with tape to prevent losing screws or small parts.



To prevent stripping the screw heads, set screw gun clutch to a low setting when installing screws and bolts.

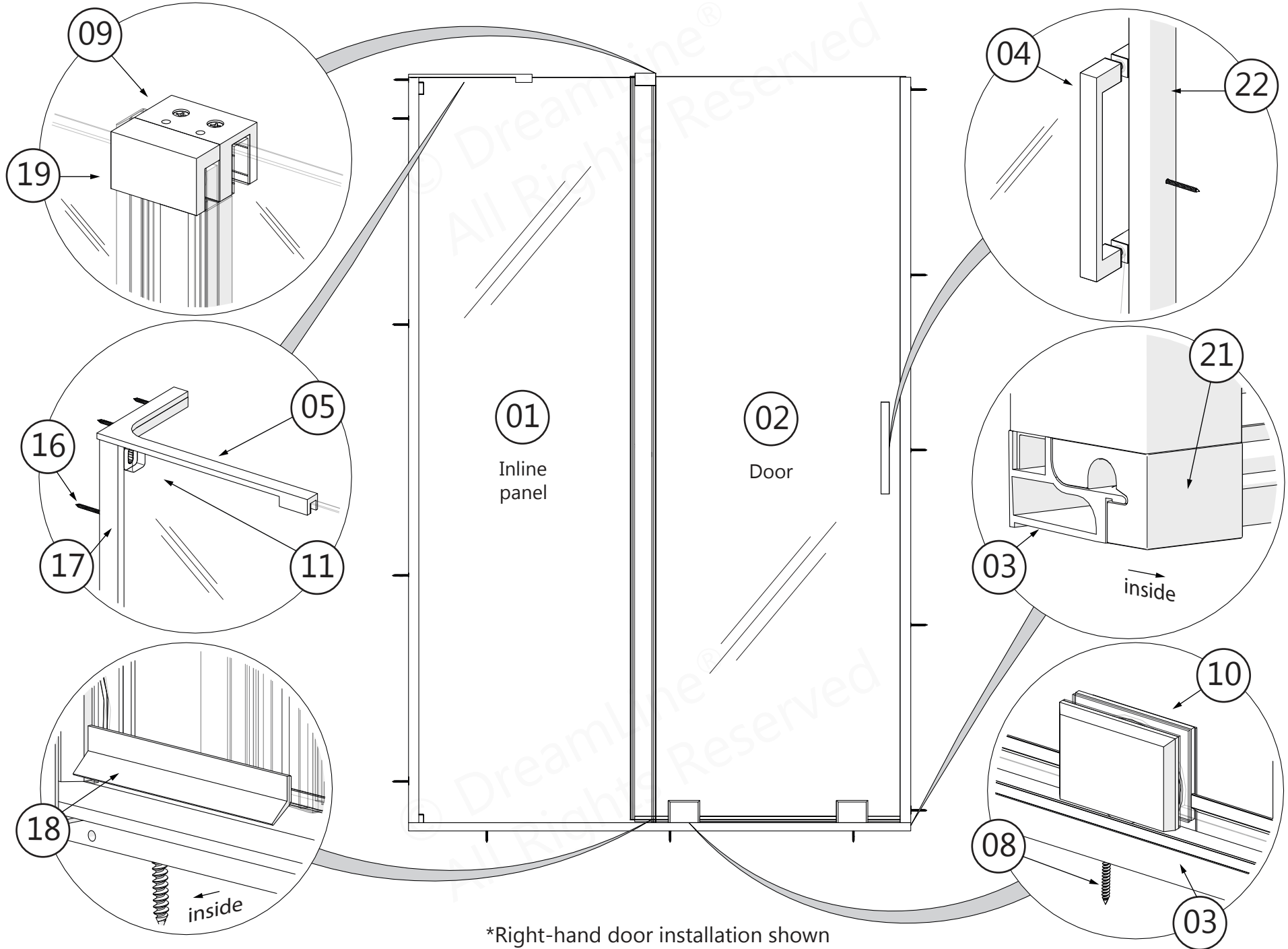


Unpack your unit carefully and inspect it. Lay it out and identify all parts using the **Detailed Diagram** on **page 5** and parts list in this manual as a reference. Before discarding the carton, check for small hardware bags that may have fallen to the bottom of the box. If any parts are damaged or missing, please contact DreamLine® for replacement. The shipping boxes may contain extra parts not used in your model configuration.



Retain these installation instructions for future reference.

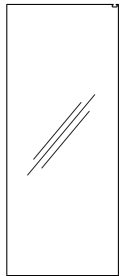
Detailed Diagram of Shower/Tub Door Components



*Right-hand door installation shown

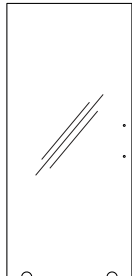
Parts List

01



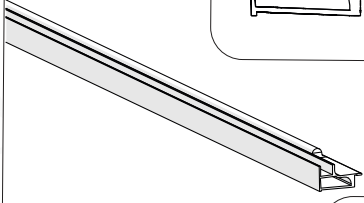
Inline Panel Glass x1

02



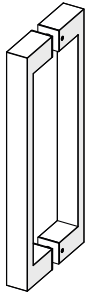
Door Glass x1

03



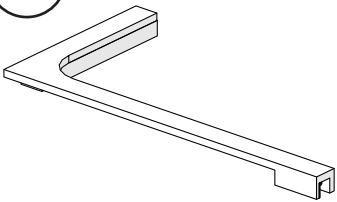
Bottom Guide Rail x1

04



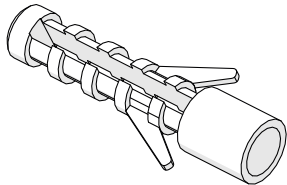
Handle x1

05



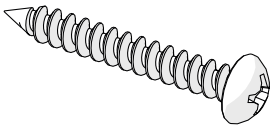
L-Bar™ Support Bracket
(Left and Right) x1

06



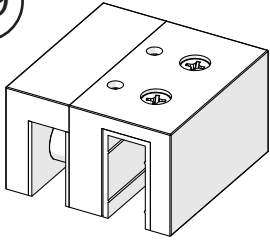
5/16" (8mm) Wall Anchor x6

08



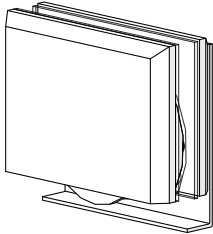
ST4.0 x 30mm Pan Head Screw x5

09



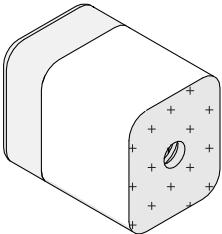
Top Guide Block Assembly x1

10



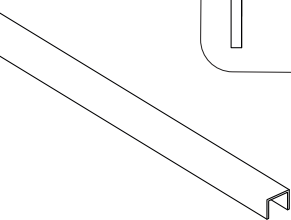
Bottom Roller Assembly x2

11



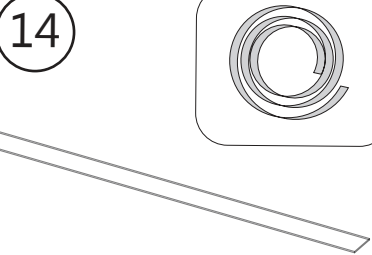
SafeStop™ Bumper x2

12



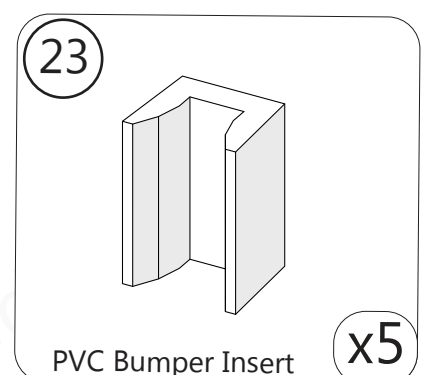
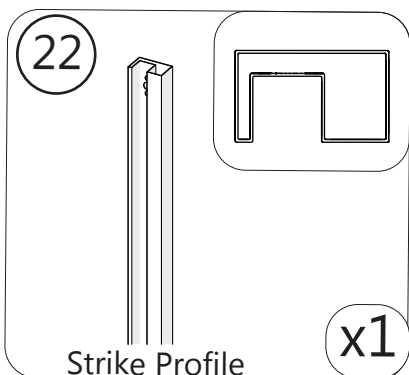
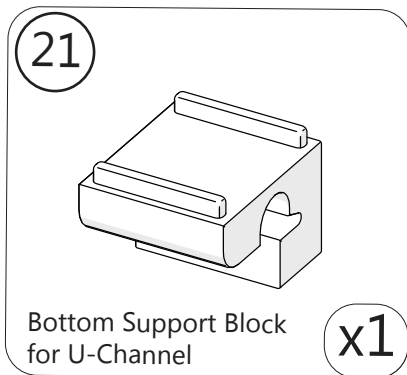
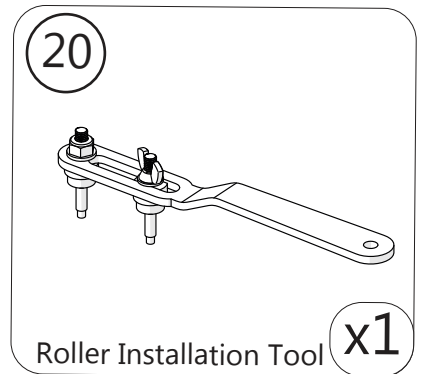
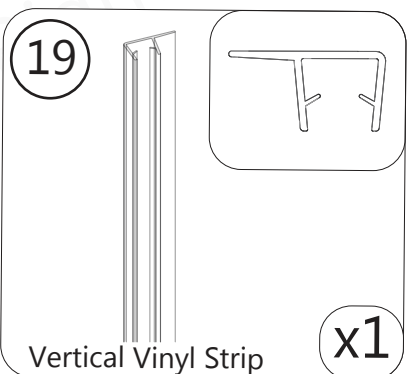
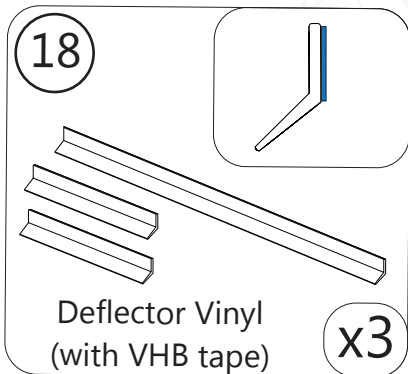
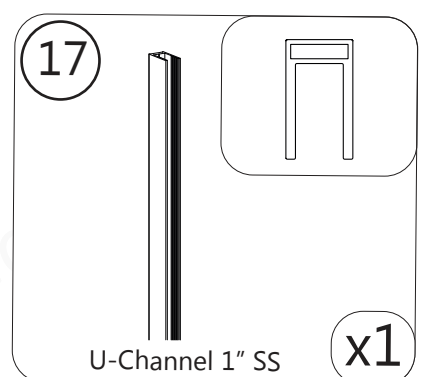
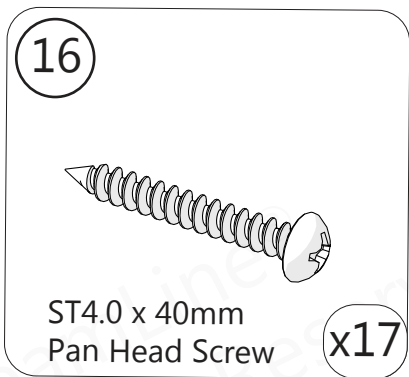
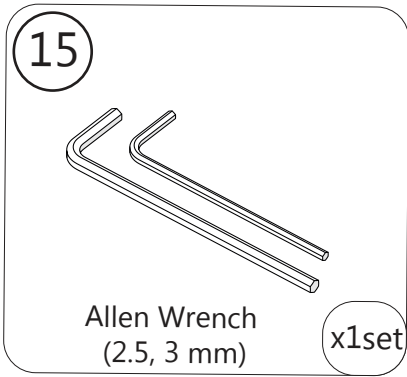
Bottom Channel Insert x1

14



PVC Glass Spacer 0.5mm
(x 36" roll) x1

Parts List



1

Installation Steps

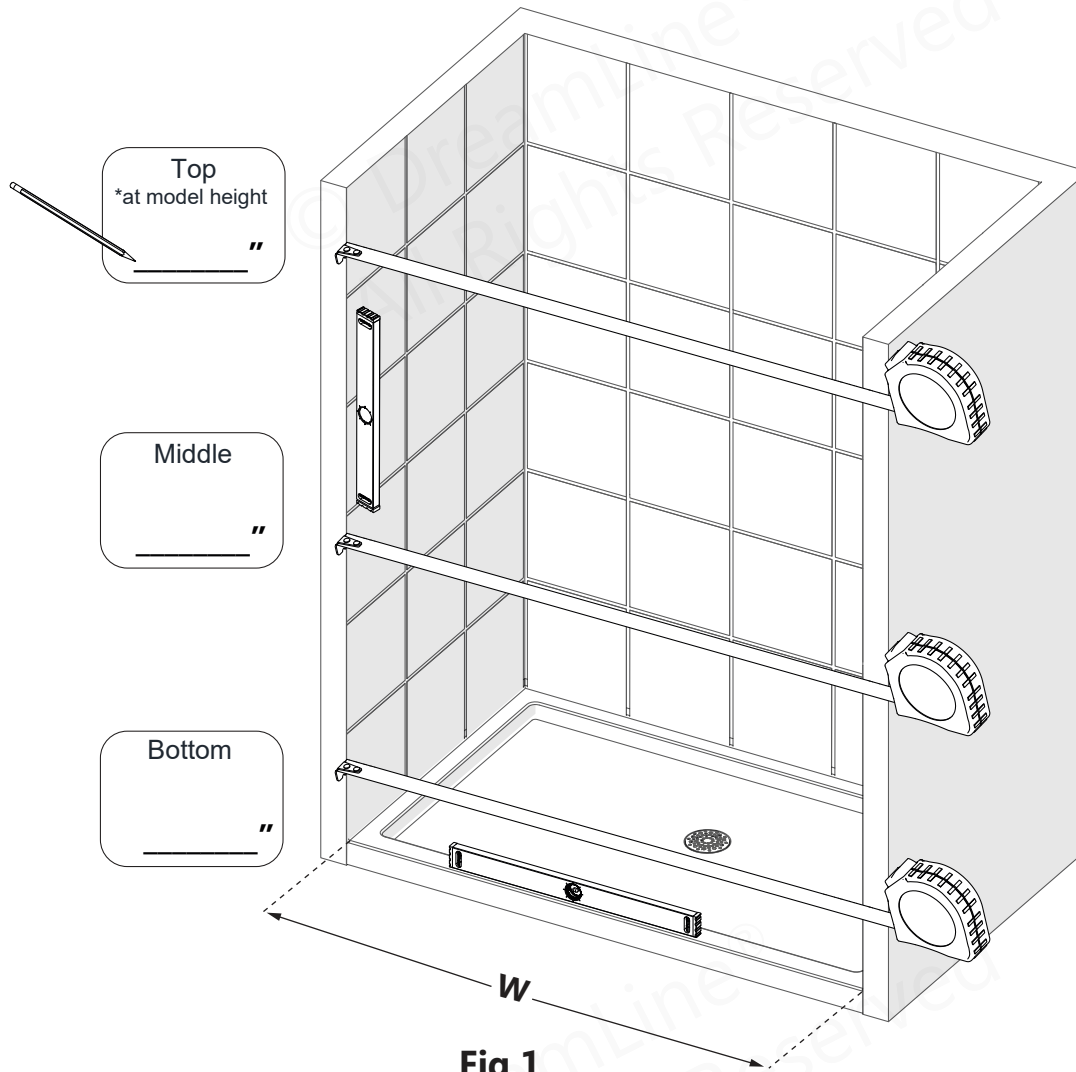


Fig 1

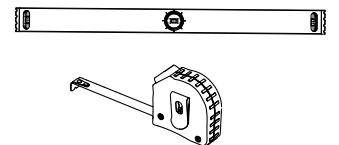


NOTE This model will provide up to 3/8" of adjustment for out-of-plumb conditions within the vertical **U-Channel (#17)** on the panel side only.



NOTE Decide on the handing of the shower door based on your bathroom configuration. The right-hand door installation will be shown as an example throughout this manual.

Tools Needed



2



After determining the handing of the installation:
Only cut from the end of the Bottom Guide Rail (#03) that will be installed on the door side of the opening.

The length to cut-off of the door side of the **Bottom Guide Rail (#03)** will be (L):
Finished Opening (W) (-) 1/16" = Finished Cut Length (L)

*In this example, the **Bottom Guide Rail (#03)** is shown for a right-hand door installation.

Cutting off a portion of the milled edge from the door end of the bottom guide rail is expected.

DO NOT cut from the Panel End of the **Bottom Guide Rail (#03)**.

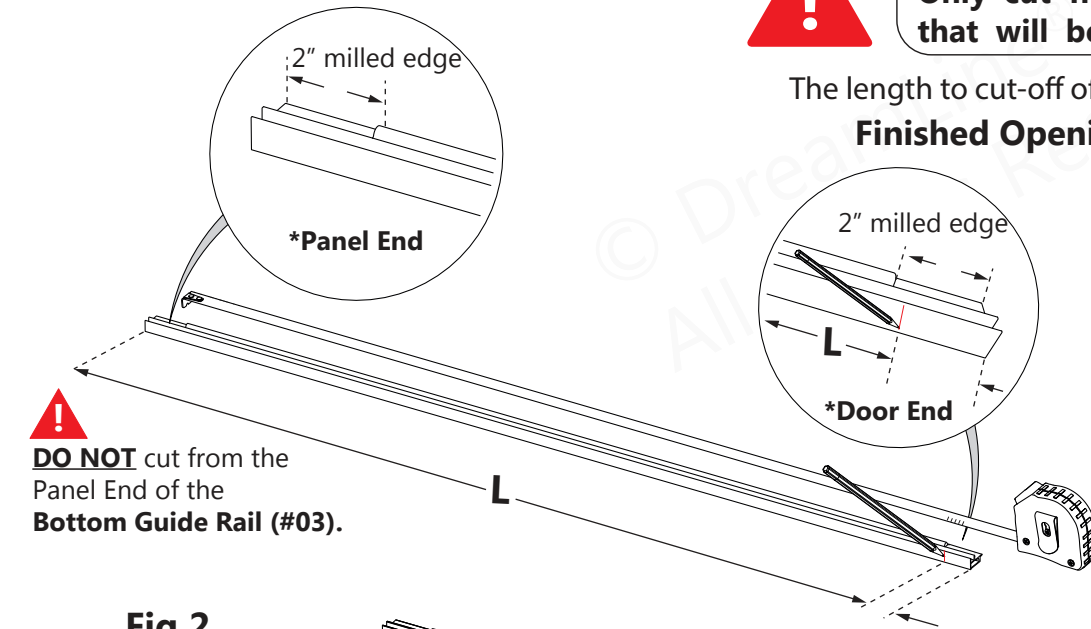
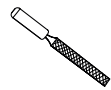
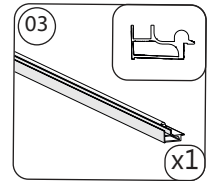
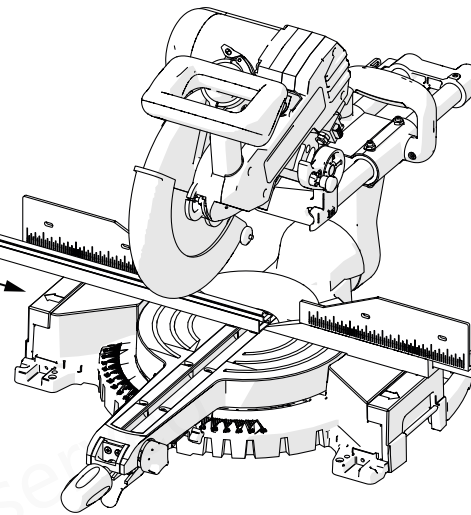
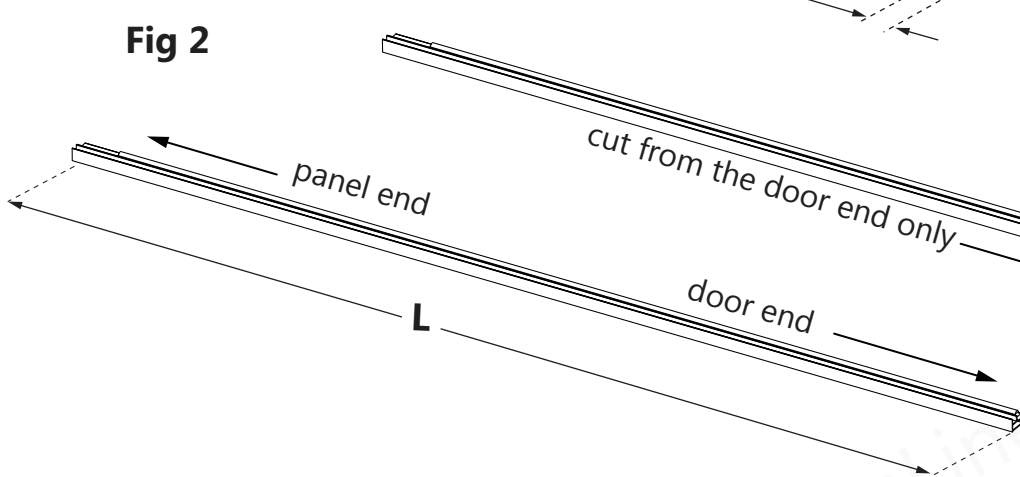


Fig 2



Use a metal file to deburr the cut end

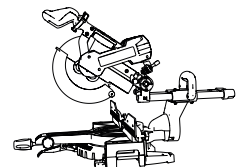
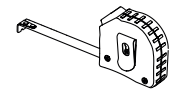


The **Bottom Guide Rail (#03)** is made 2" larger than the model size:
 48" model = 50" Bottom Rail
 54" model = 56" Bottom Rail
 60" model = 62" Bottom Rail



If it necessary to drill new attachment holes into the **Bottom Guide Rail (#03)**:
 Drill a $\varnothing 3/16"$ hole throughout and then a $\varnothing 5/16"$ hole through the top layer only. (Refer to the existing holes in the rail for an example)

Tools Needed



3

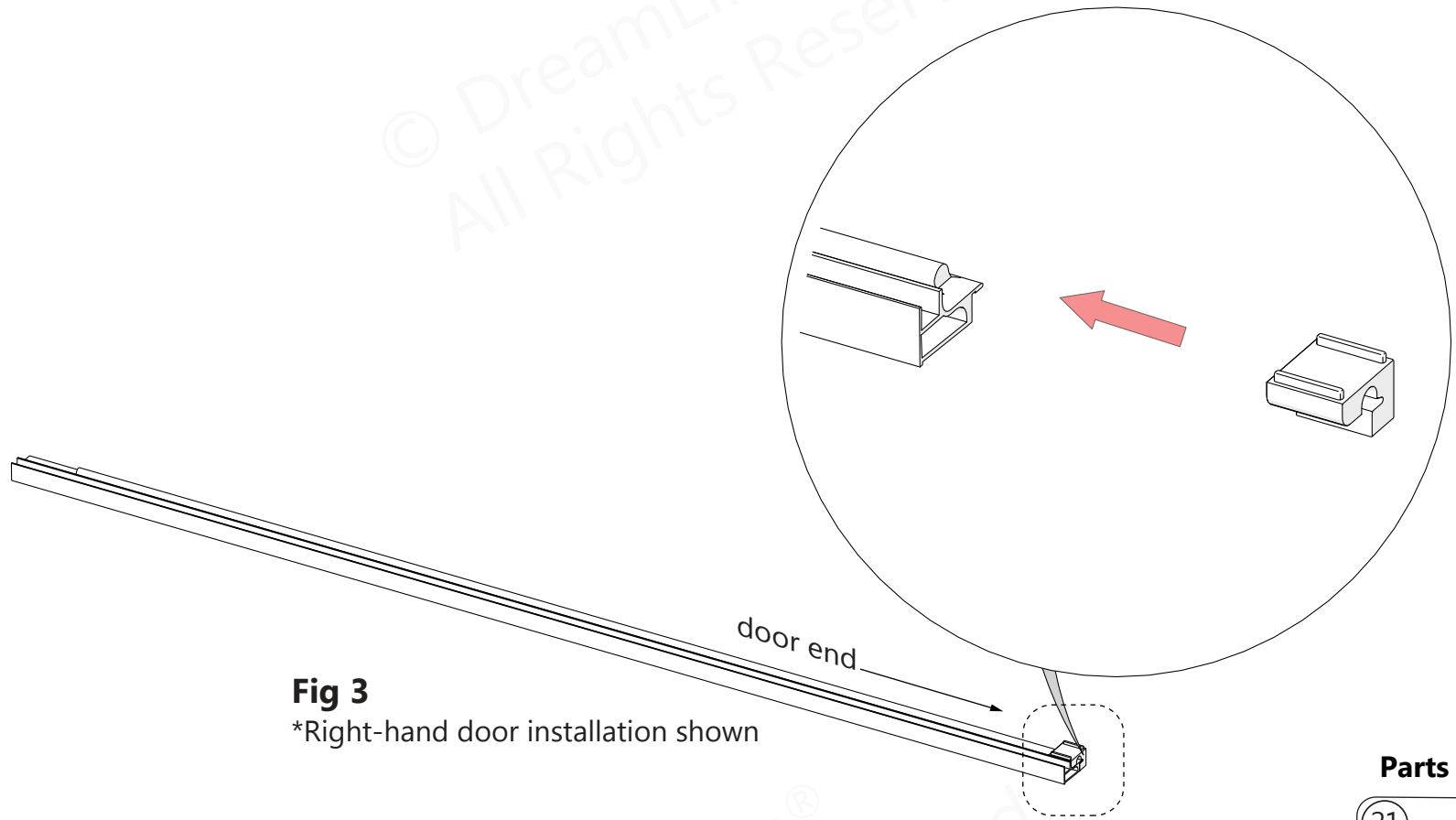
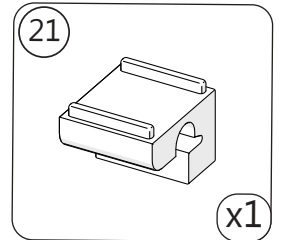
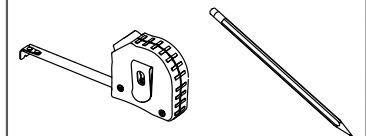


Fig 3
*Right-hand door installation shown

Parts Needed



Tools Needed



NOTE

Place the **Bottom Support Block (#21)** on the **door end** of the rail.

4

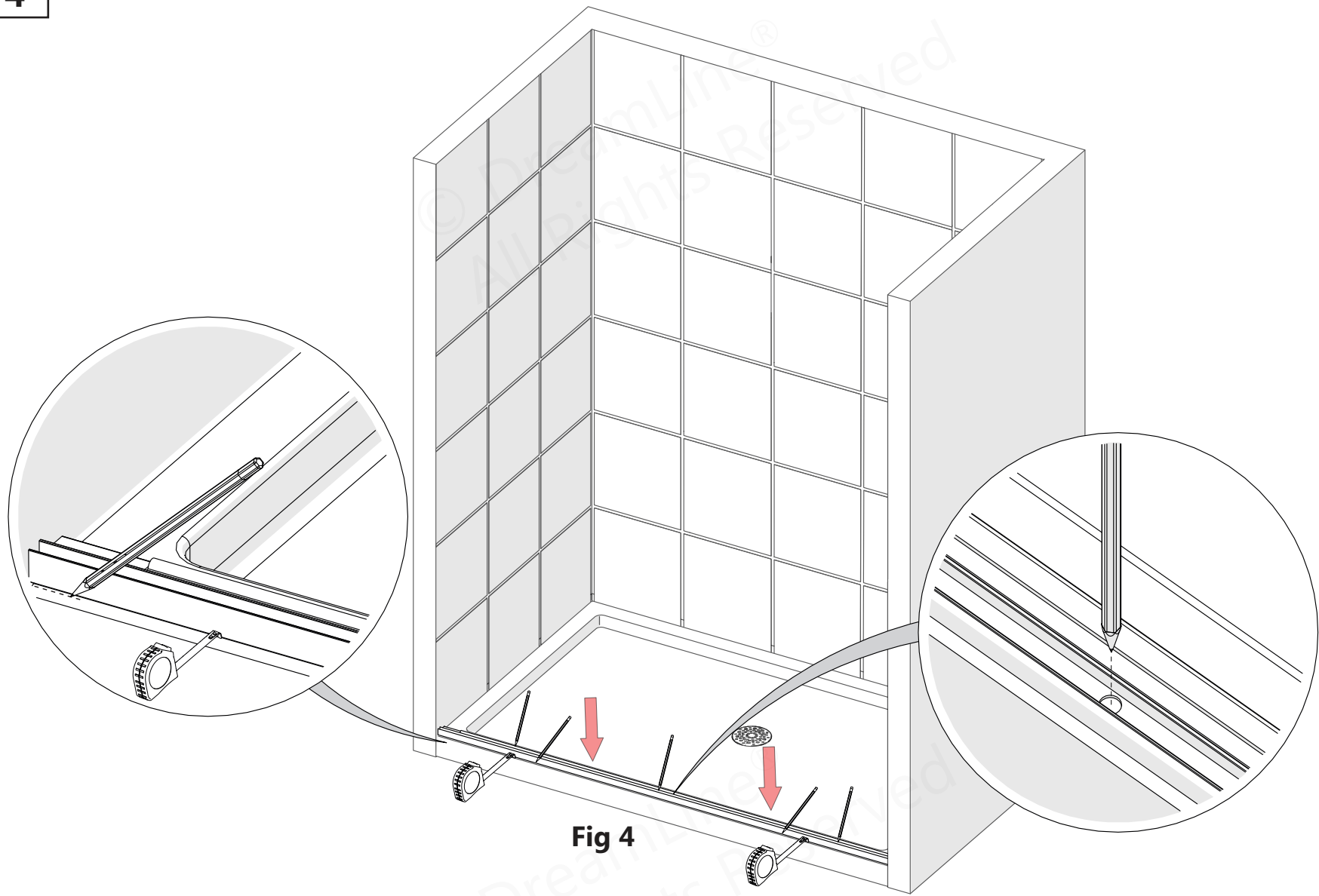
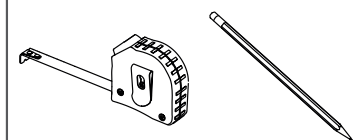


Fig 4

NOTE

Mark the position of the **Bottom Guide Rail (#03)** on the threshold. Use a tape measure to align the rail parallel with the outside edge of the threshold. Mark the holes for drilling through the predrilled holes in the **Bottom Guide Rail (#03)**.

Tools Needed



5

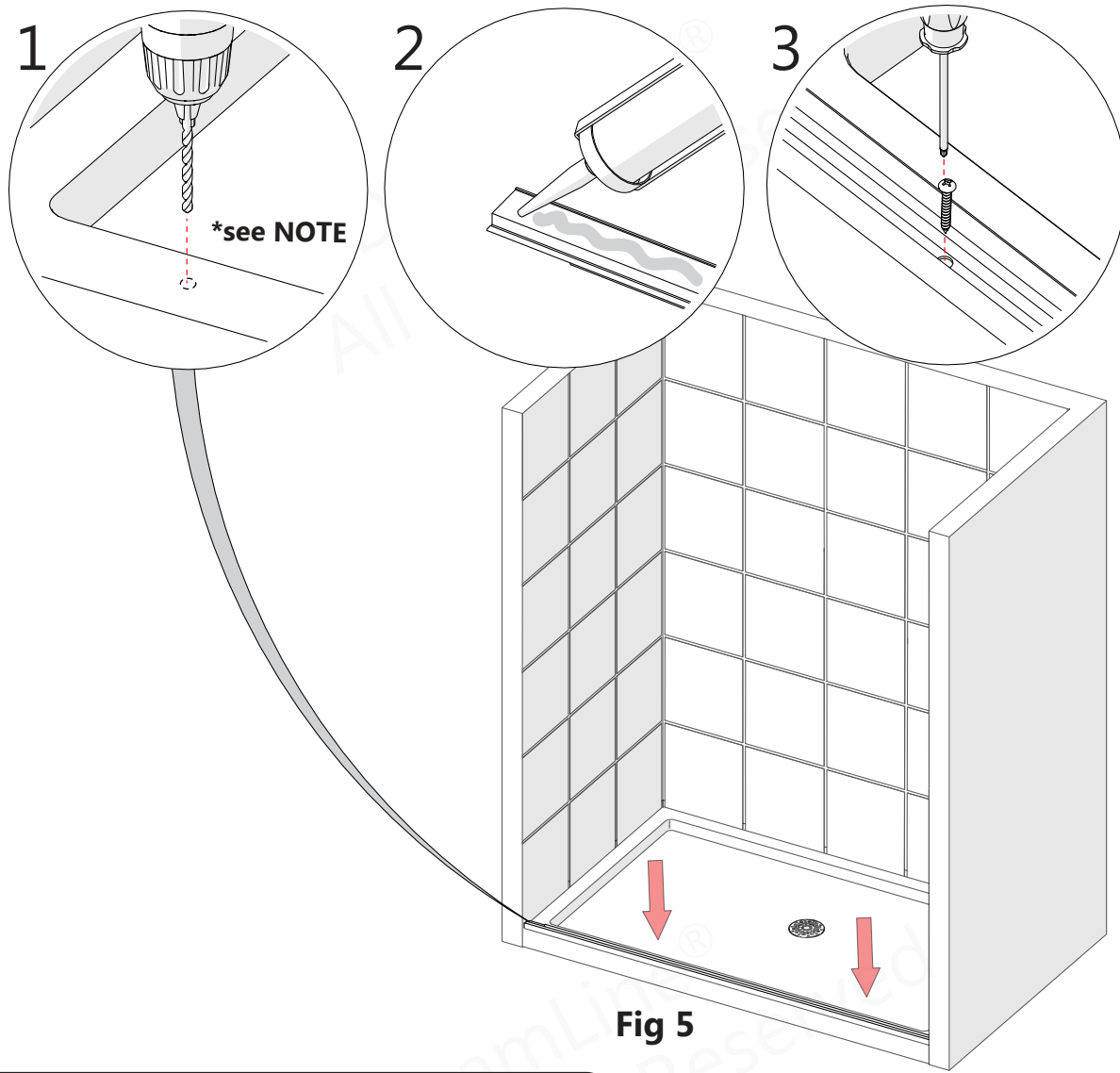




Fig 5

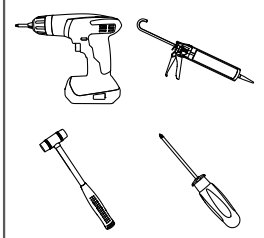
NOTE

- For installation into an **Acrylic Threshold:** drill a $\text{Ø}1/8''$ (3mm) hole and use the **ST4.0 x 30mm Pan Head Screw (#08)**
- OR**
- For installation into a **Tile Threshold:** drill a $\text{Ø}3/16''$ (4mm) hole up to the stud and use the **ST4.0 x 40mm Pan Head Screw (#16)**

Parts Needed

- (16)  (x3)
- (21) *see NOTE  (x3)

Tools Needed



6

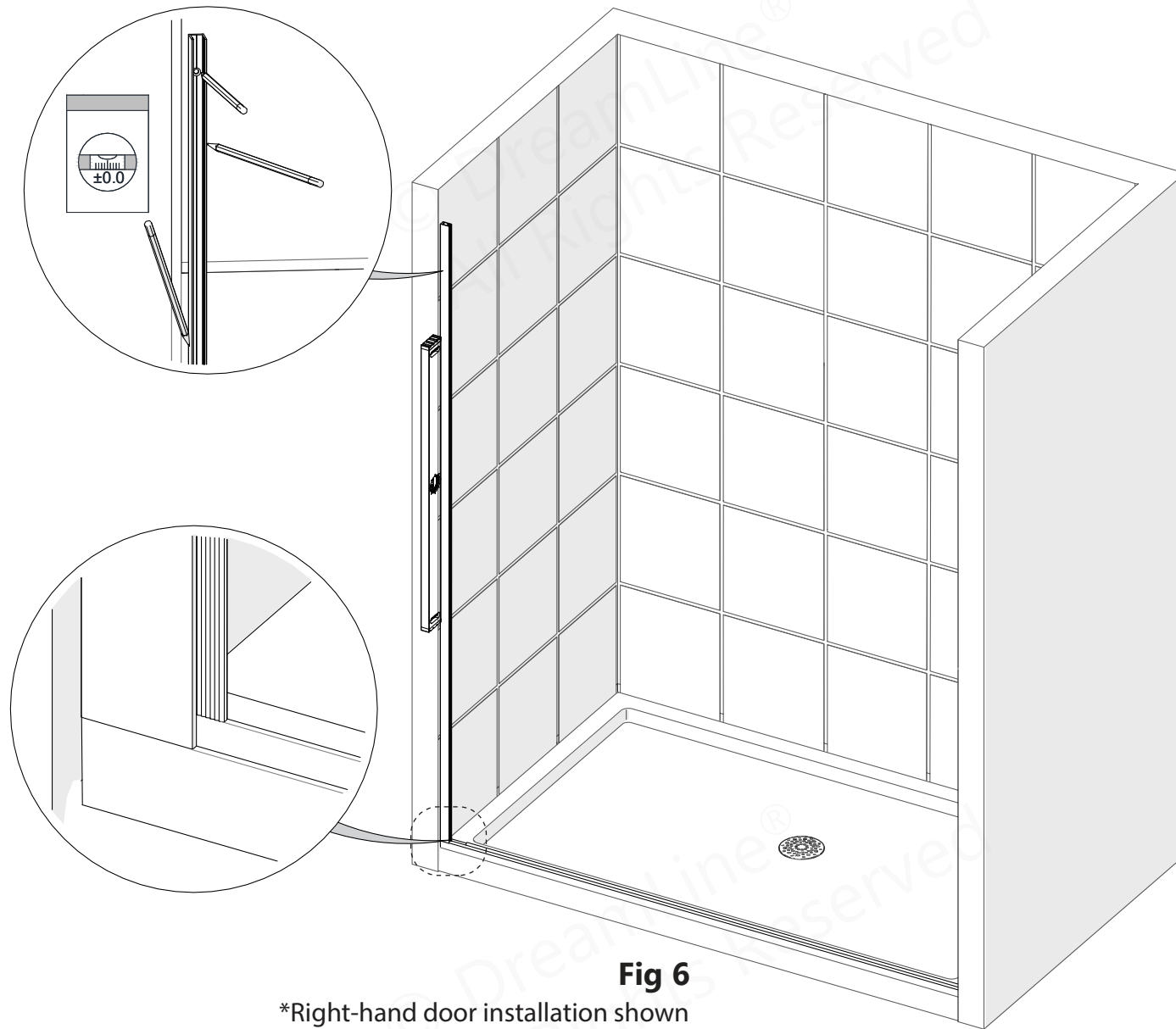


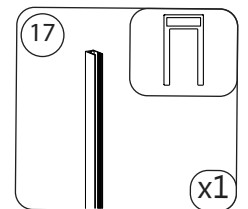
Fig 6

*Right-hand door installation shown

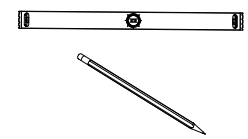
NOTE

Place the vertical **U-Channel (#17)** on the **panel end** of the rail.

Parts Needed



Tools Needed



7

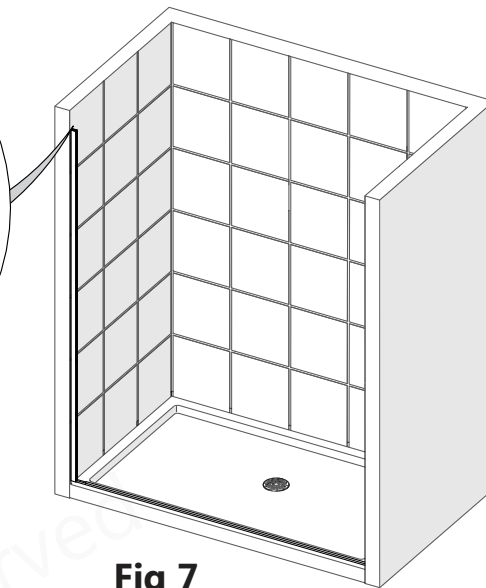
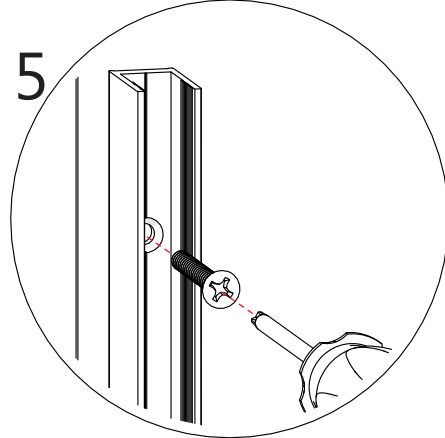
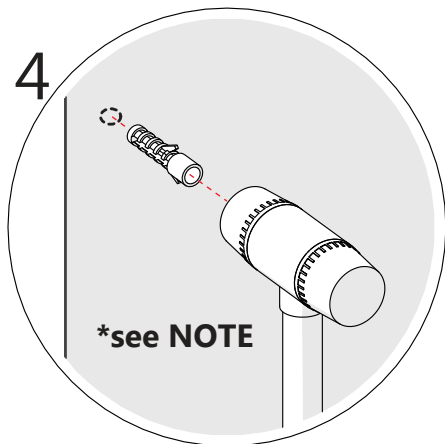
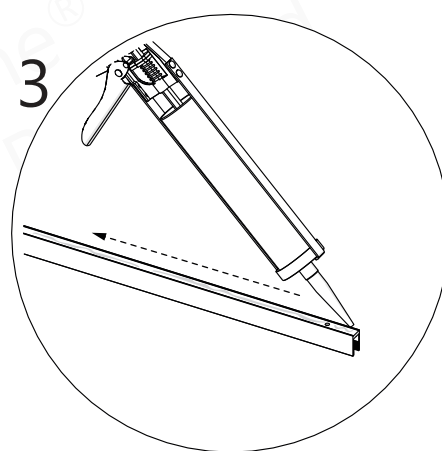
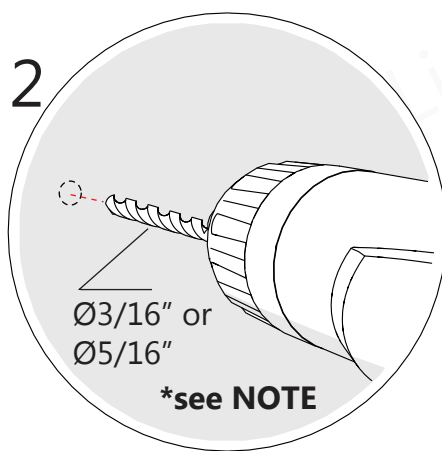
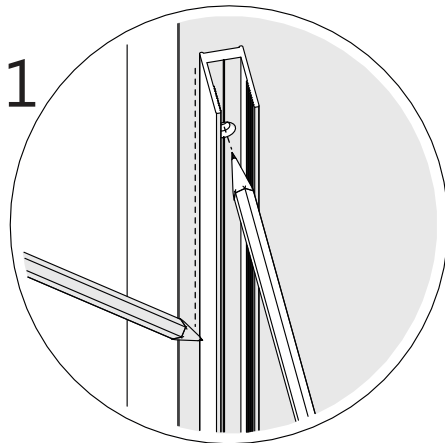
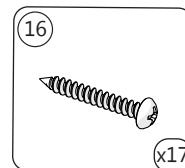
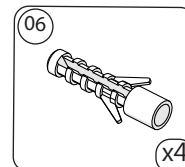


Fig 7

NOTE

- **If a stud is present behind the wall:**
drill a **Ø3/16" (4mm)** hole up to the stud and use the **ST4.0 x 40mm Pan Head Screws (#16)**
- OR**
- **If no stud is present behind the wall:**
drill a **Ø5/16" (7mm)** hole and insert the **Wall Anchors (#06)** and use the **ST4.0 x 40mm Pan Head Screws (#16)**.

Parts Needed

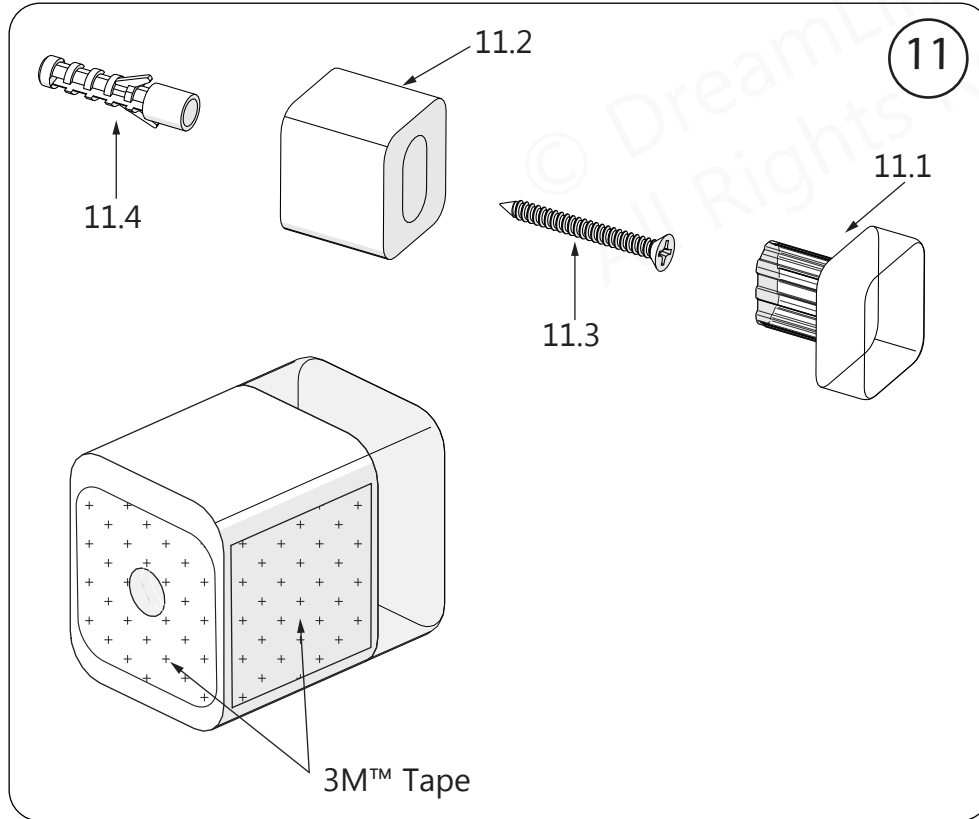


Tools Needed



8

SafeStop™ Bumper Installation



Item	Item Description	Quantity
11.1	Bumper Insert	1pc
11.2	Bumper Base	1pc
11.3	ST4.2×40mm Countersunk Screw	1pc
11.4	Wall Anchor	1pc



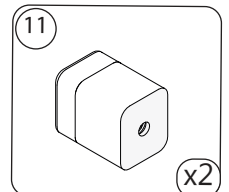
The surfaces need to be clean and free of construction debris before installing the SafeStop™ Bumper(s) (#11). Clean the area with an alcohol swab before installation.



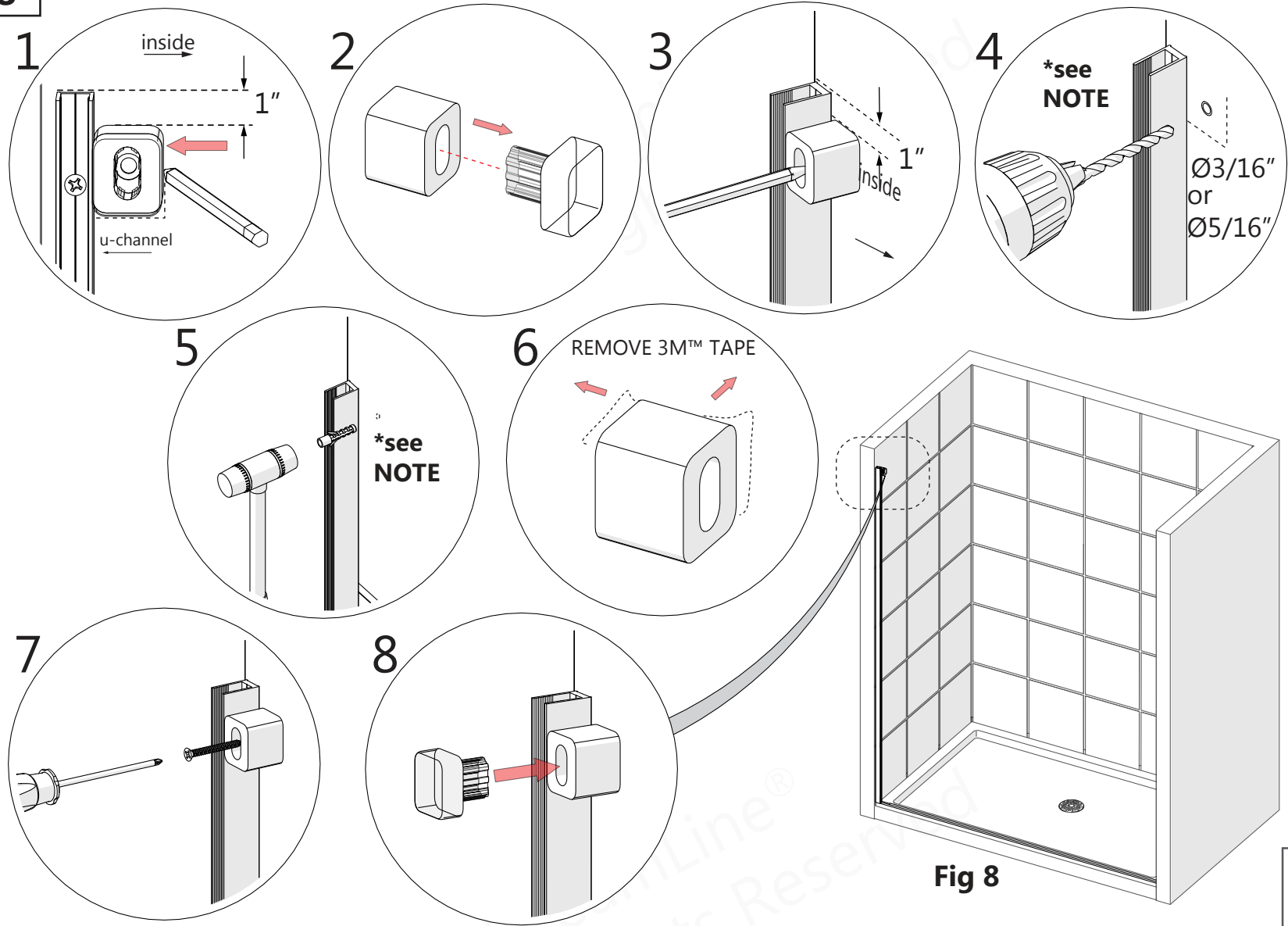
The top SafeStop™ Bumper must be installed with a screw.

The bottom SafeStop™ Bumper can be installed with either a screw or using the 3M™ Tape only.

Parts Needed



8

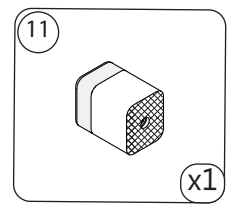


Extender driver bit recommended for screw installation.



▪ If a stud is present behind the wall:
 drill a $\text{Ø}3/16''$ (4mm) hole up to the stud and use the **ST4.0 x 40mm Pan Head Screw (#16)**
OR
▪ If no stud is present behind the wall:
 drill a $\text{Ø}5/16''$ (7mm) hole and insert the **Wall Anchors (#06)** and use the **ST4.0 x 40mm Pan Head Screw (#16)**

Parts Needed



Tools Needed

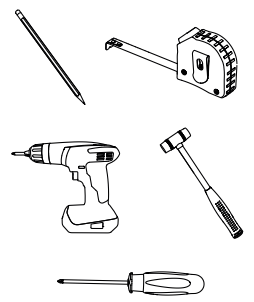


Fig 8

9

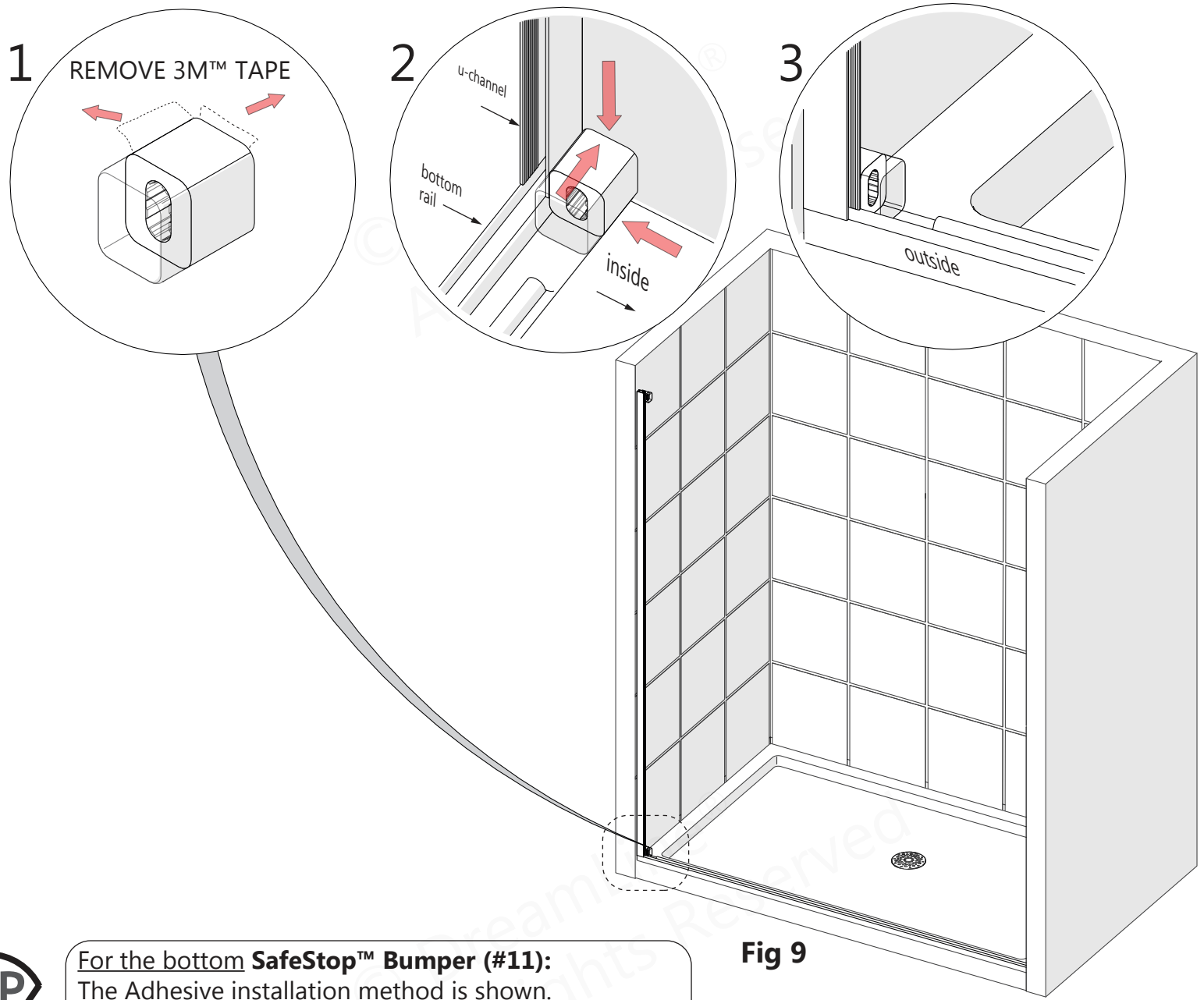
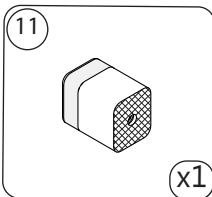


Fig 9



For the bottom **SafeStop™ Bumper (#11)**:
 The Adhesive installation method is shown.
 Attaching the bottom **SafeStop™ Bumper** with a screw is optional. Follow the procedure shown in **Step 7** for installing the bottom **SafeStop™ Bumper (#11)** with the **ST4.0 x 40mm Pan Head Screw (#16)**.

Parts Needed



10

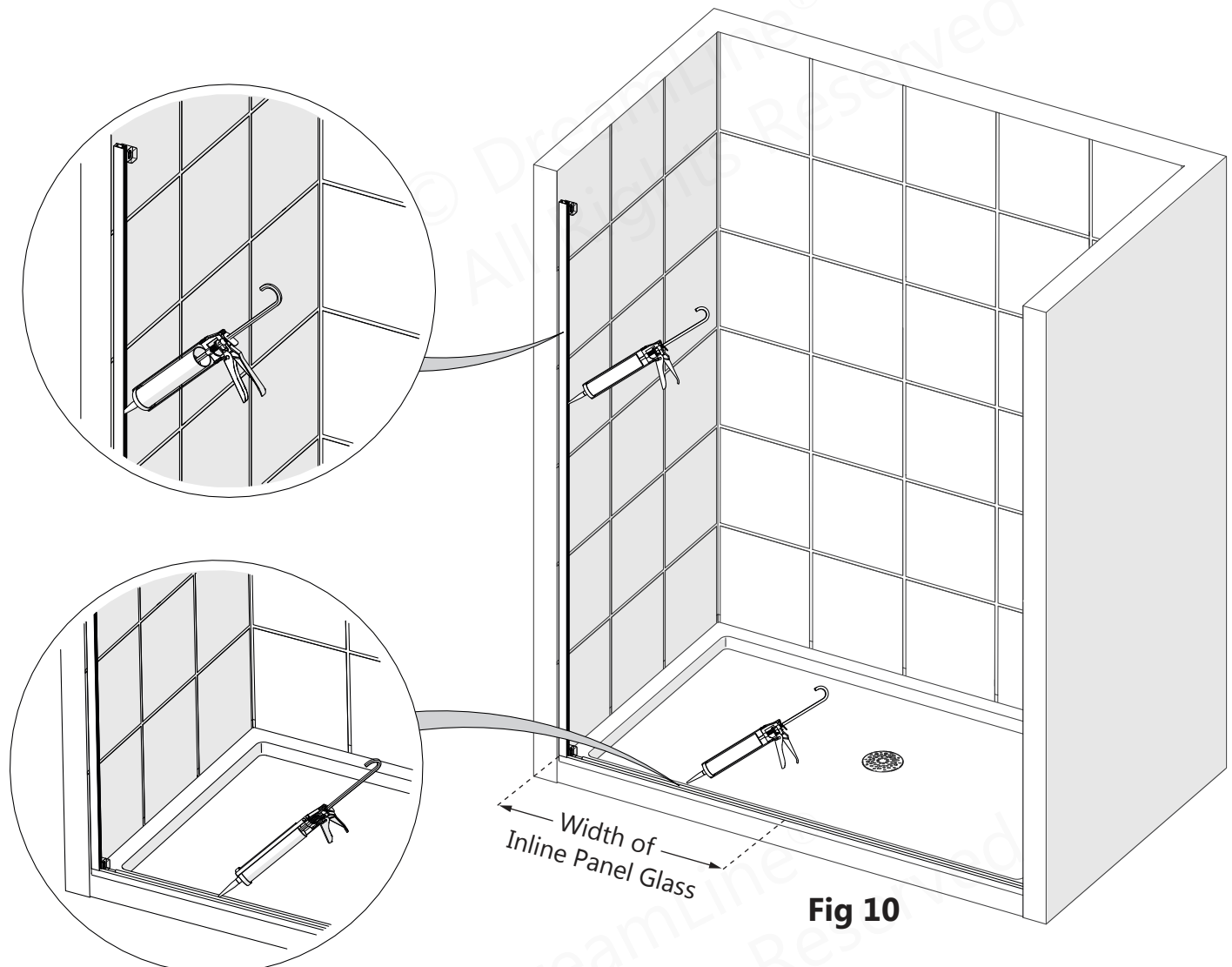
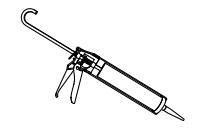


Fig 10

NOTE

Apply 100% silicone caulk into the vertical **U-Channel (#17)** and into the **Bottom Guide Rail (#03)**.

Tools Needed



11

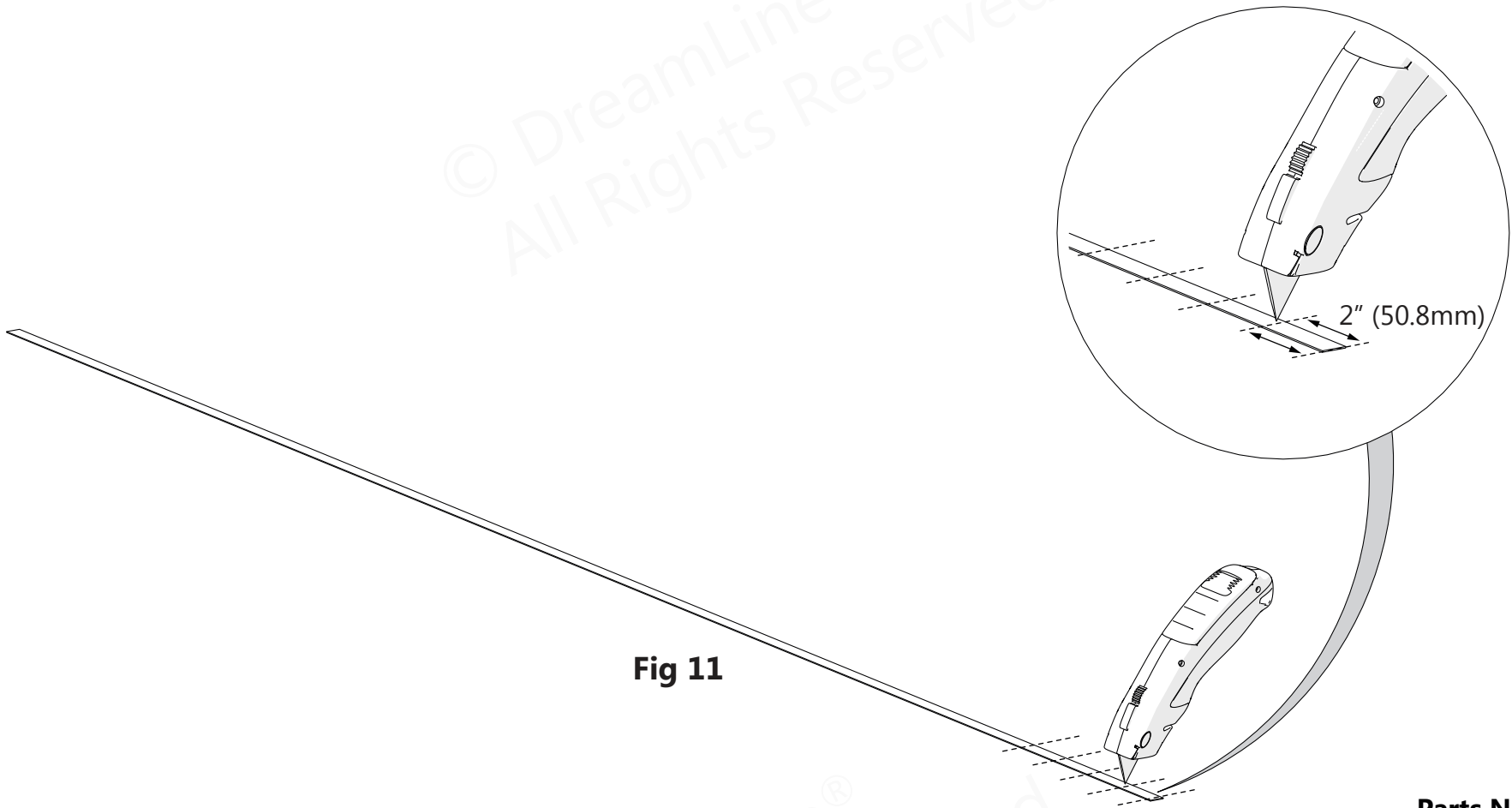
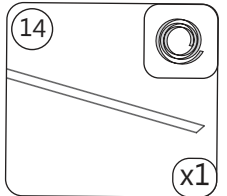


Fig 11

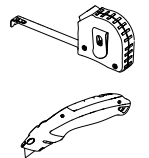


Cut several 2" - 3" pieces of the the PVC Glass Spacer 0.5mm (#14).
DO NOT install one long continuous piece into the Bottom Guide Rail (#03).

Parts Needed



Tools Needed



12

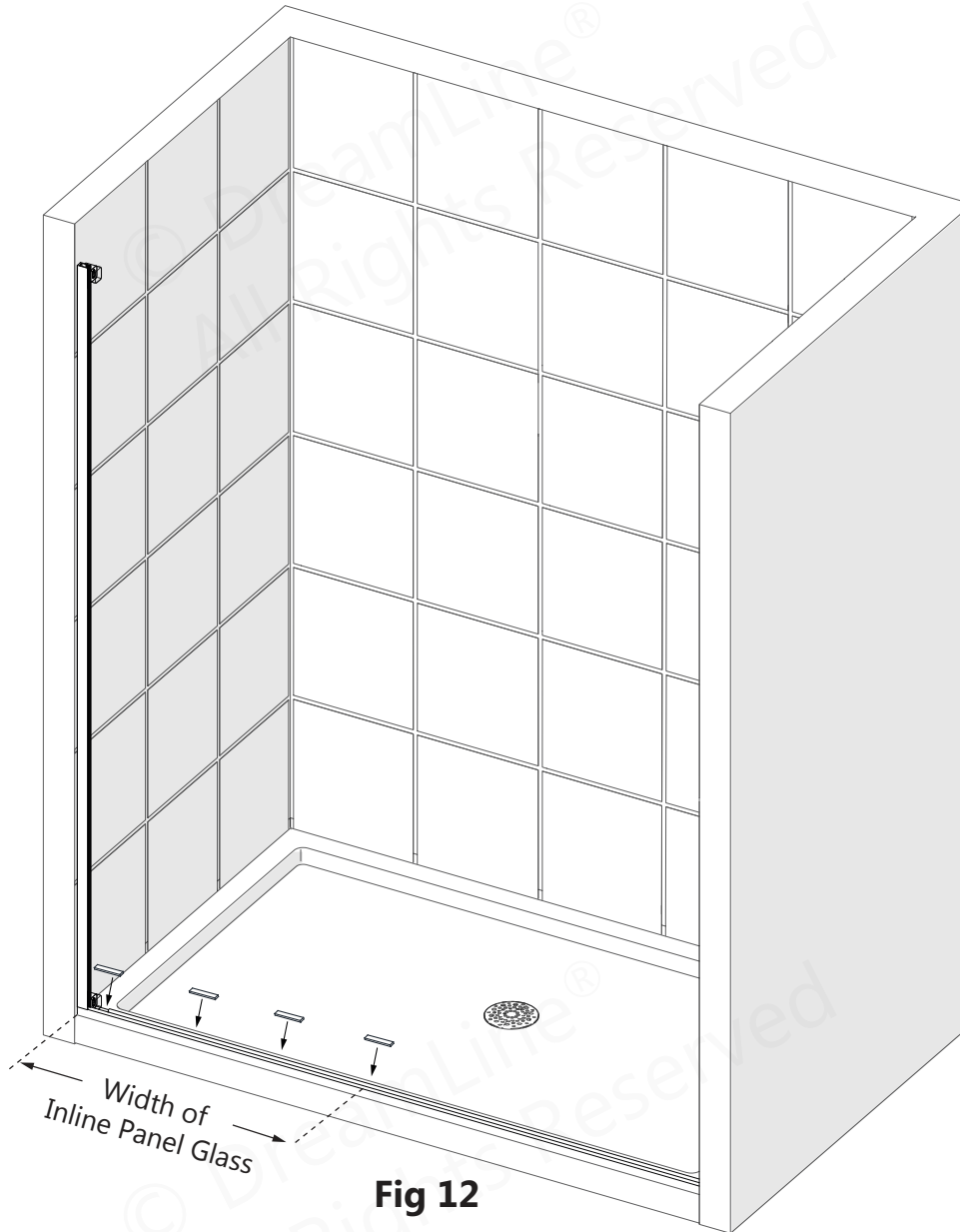


Fig 12



Save the remaining 2" pieces of the **PVC Glass Spacer 0.5mm (#14)** for later use.

13

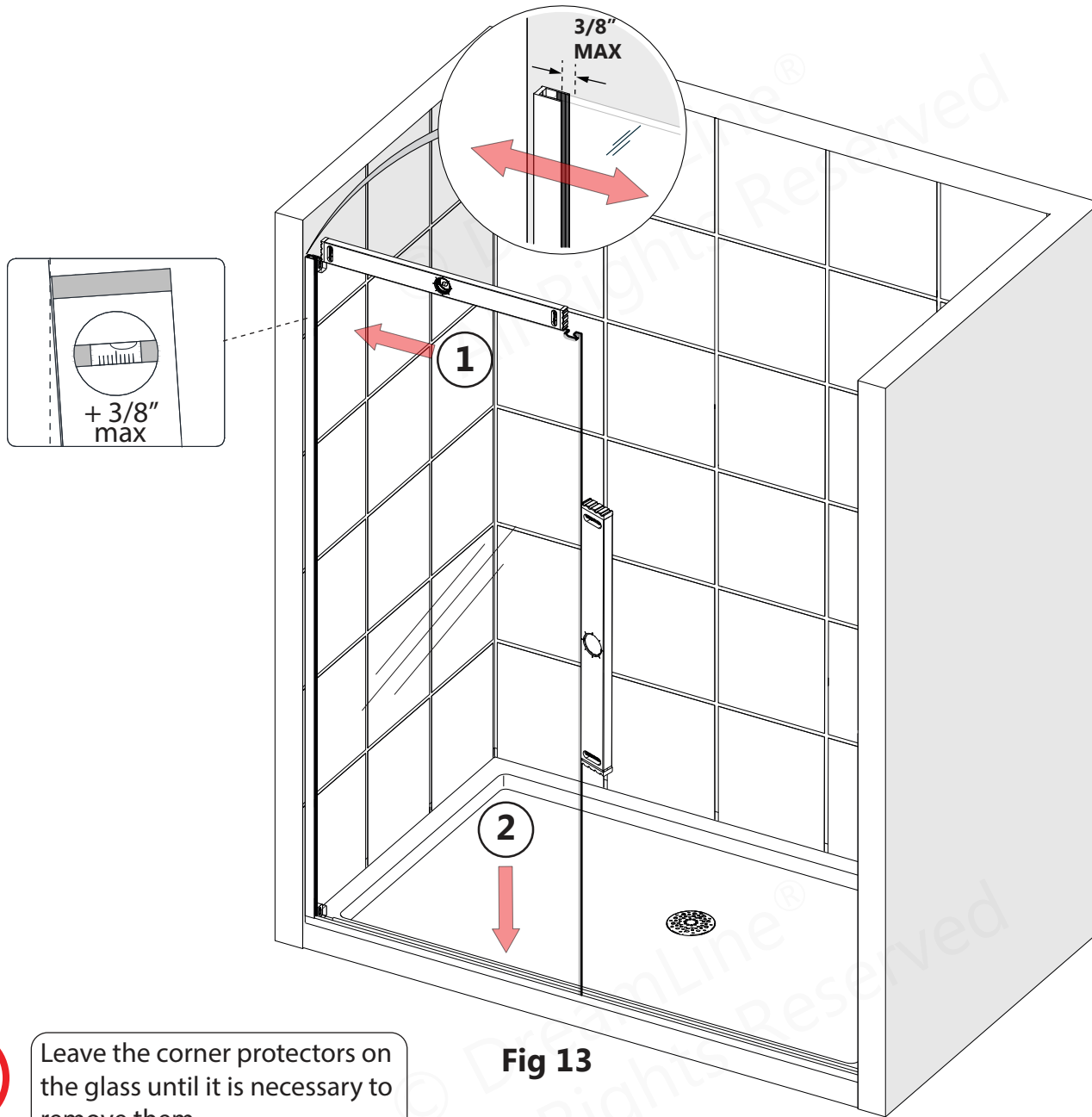


Fig 13

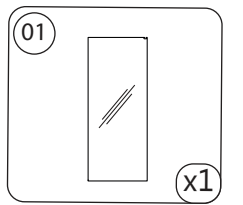
NOTE

Leave the corner protectors on the glass until it is necessary to remove them.

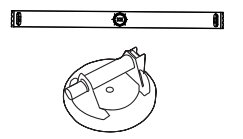
NOTE

The panel-side **U-Channel (#17)** will allow for up to 3/8" of out-of-plumb adjustment. Use a level to confirm that the **Inline Panel Glass (#01)** is installed plumb and level.

Parts Needed

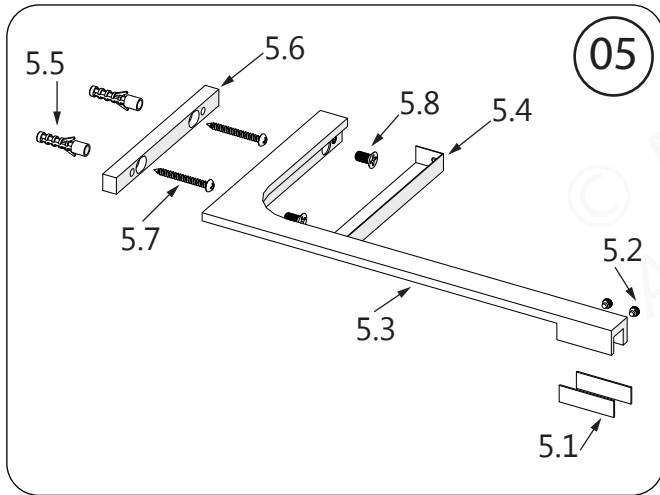


Tools Needed



14

L-Bar™ Support Bracket Installation



Left-handed L-Bar™ Support Bracket shown*

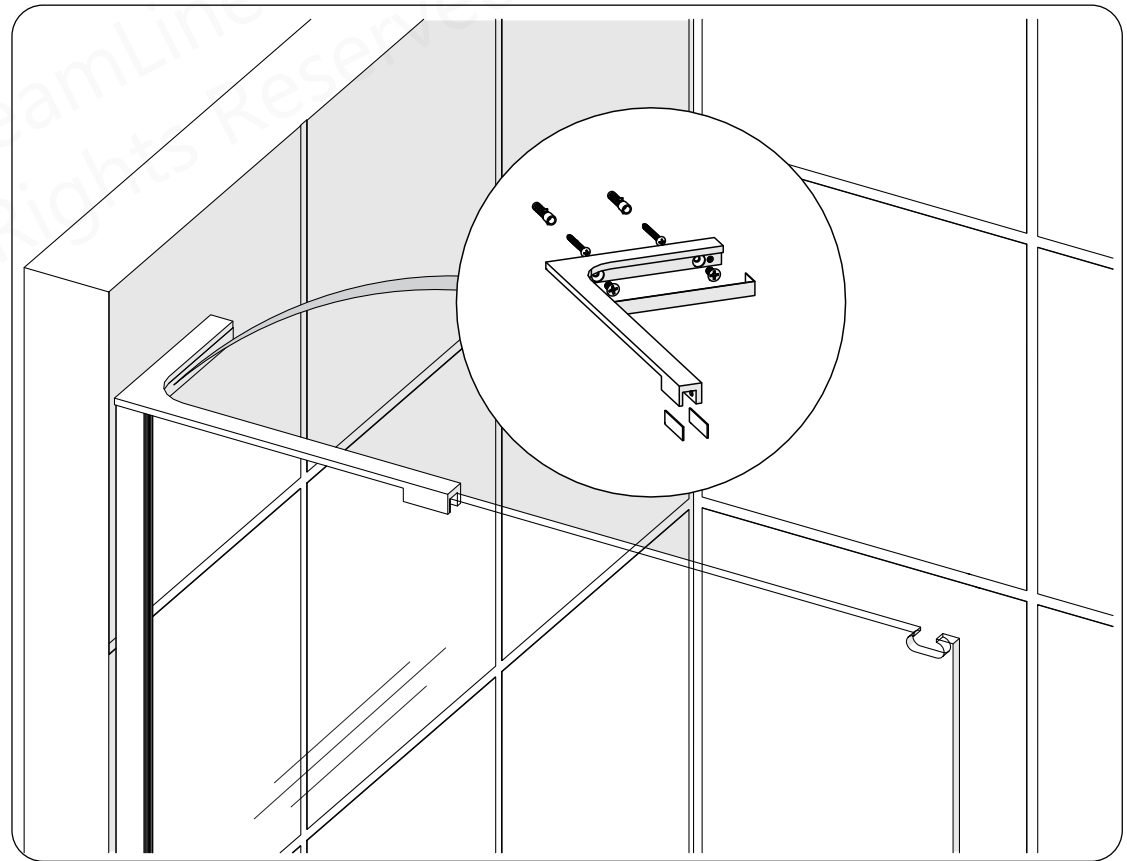


Fig 14 Left-hand L-Bar™ Support Bracket shown*

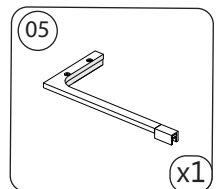
Item	Item Description	Quantity
5.1	Rubber Pad	2pcs
5.2	M5 Rubber Tip Set Screw	2pcs
5.3	L-Bar™ Bracket	1pc
5.4	L-Bar™ Bracket Decorative Cover	1pc
5.5	Wall Anchor	2pcs
5.6	L-Bar™ Bracket Wall Plate	1pc
5.7	Truss Head Screw ST4.2×40	2pcs
5.8	M5×14.5 Screw	2pcs

NOTE

12" L-Bar™ for 48" model
 18" L-Bar™ for 54" & 60" models

Both the right and left-handed **L-Bar™ Support Bracket (#05)** are shipped with this product. All images shown are using the left-handed L-Bar™ as an example.

Parts Needed



15

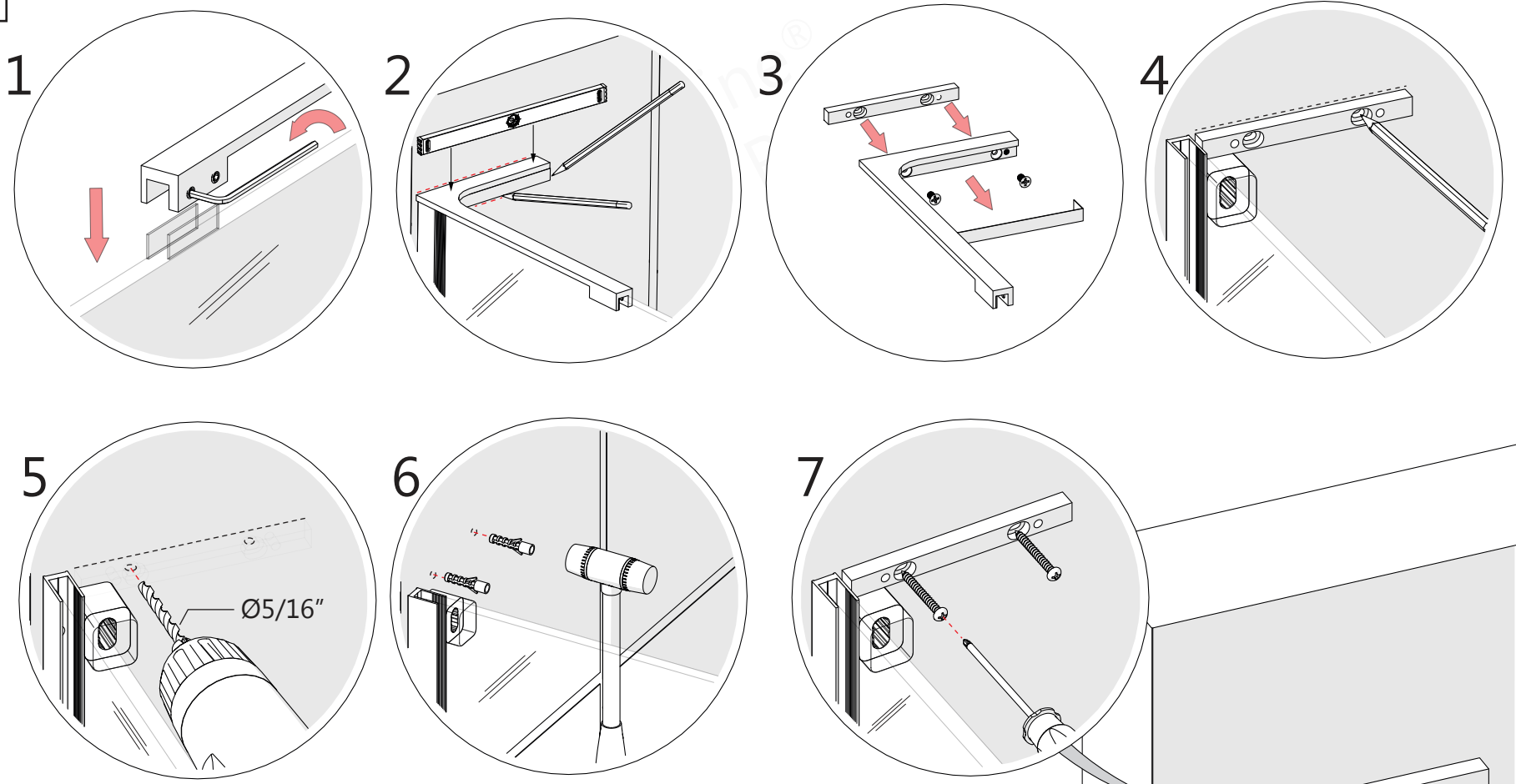


Fig 15 Left-hand L-Bar™ Support Bracket shown*



Leave the L-Bar™ decorative cover attached when marking the L-Bar position on the wall to allow space to re-attach the cover plate after installation.



16

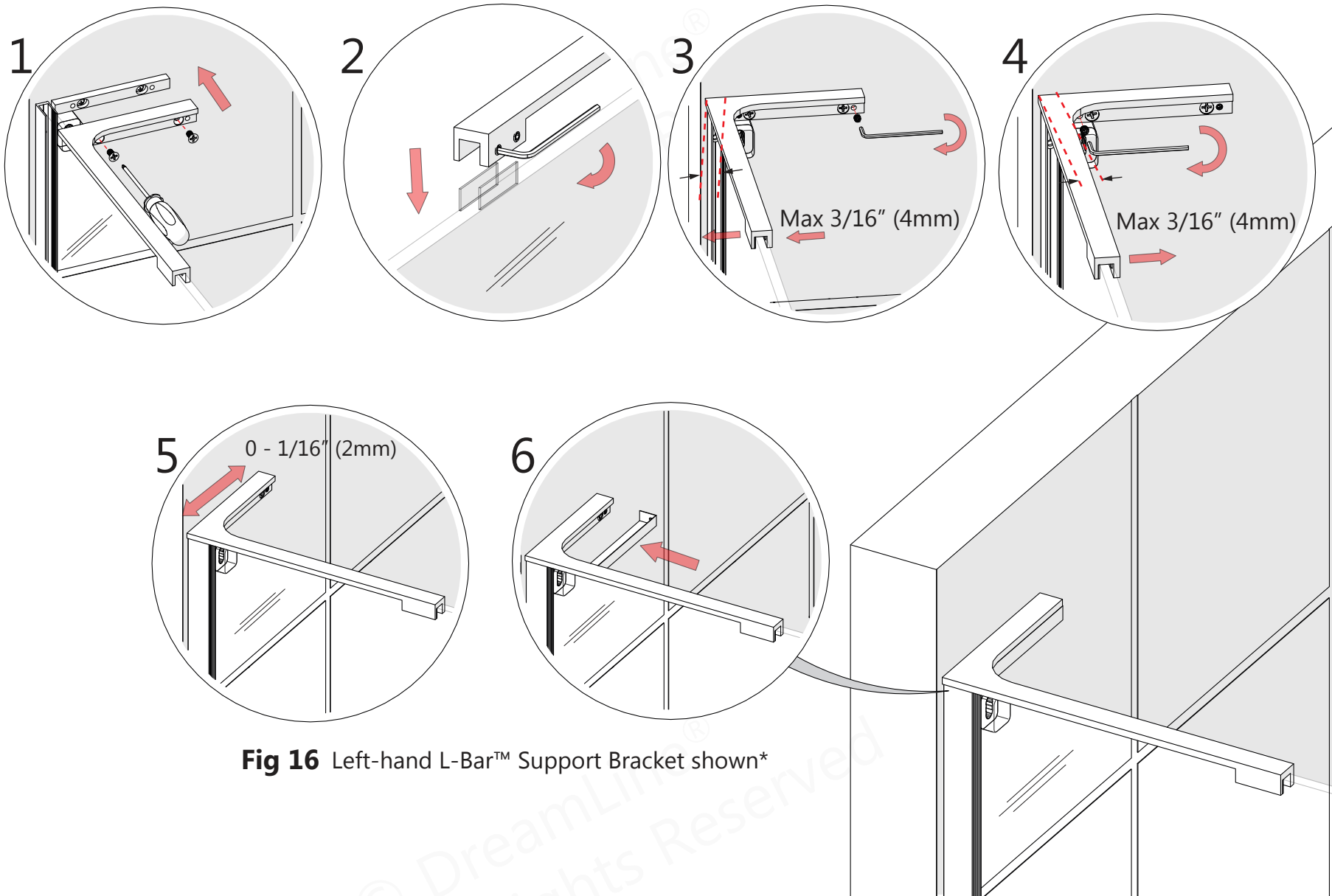


Fig 16 Left-hand L-Bar™ Support Bracket shown*

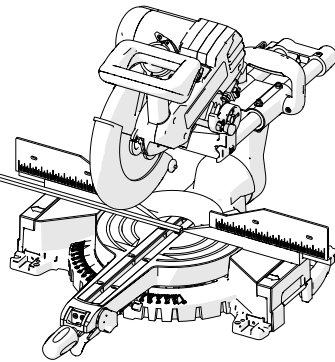
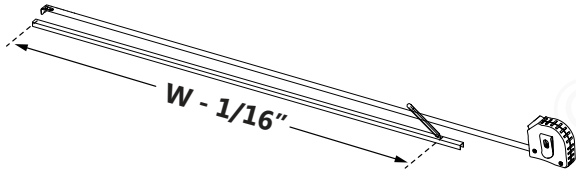


Confirm the **Inline Panel Glass (#01)** is level and plumb with the attached **L-Bar™ (#05)** by adjusting the angle (+/-) 3/16". Firmly tighten the set screws before re-attaching the Decorative Cover.

Tools Needed

17

Trim **Bottom Channel Insert (#12)** to:
(W) (-) 1/16"



OR

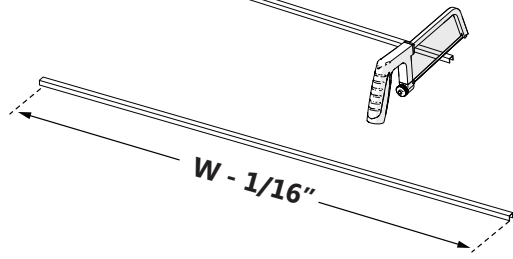
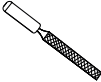


Fig 17a



 Use a metal file to deburr the cut end



To prevent glass-to-metal contact, insert a small piece (**1/4" +/-**) of the leftover **PVC Glass Spacer 0.5mm (#14)** and the **Inline Panel Glass (#01)** as shown in **Fig 16b**.

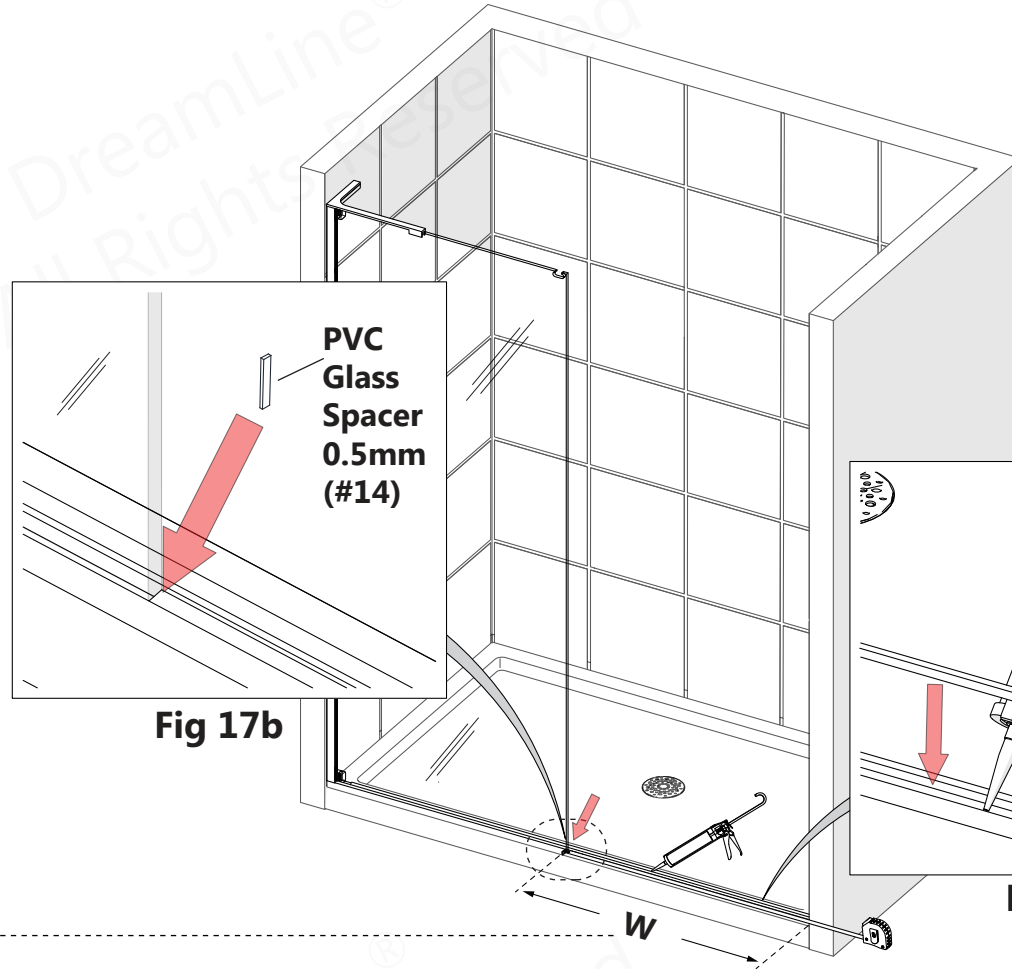


Fig 17b

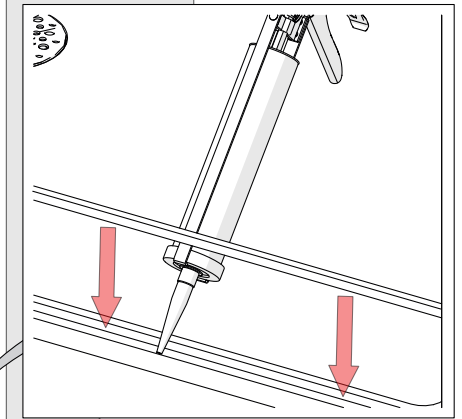
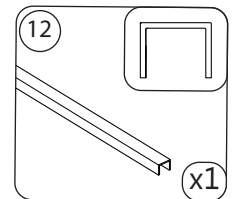
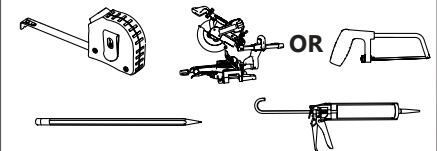


Fig 17c

Parts Needed

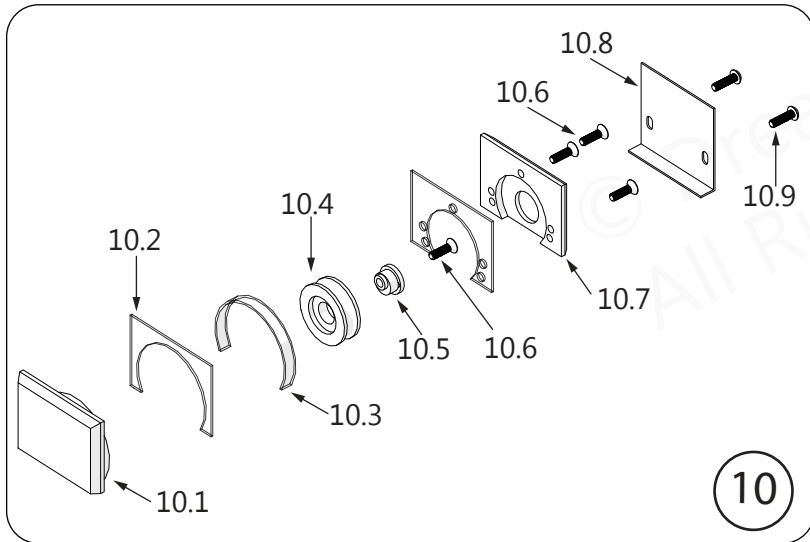


Tools Needed



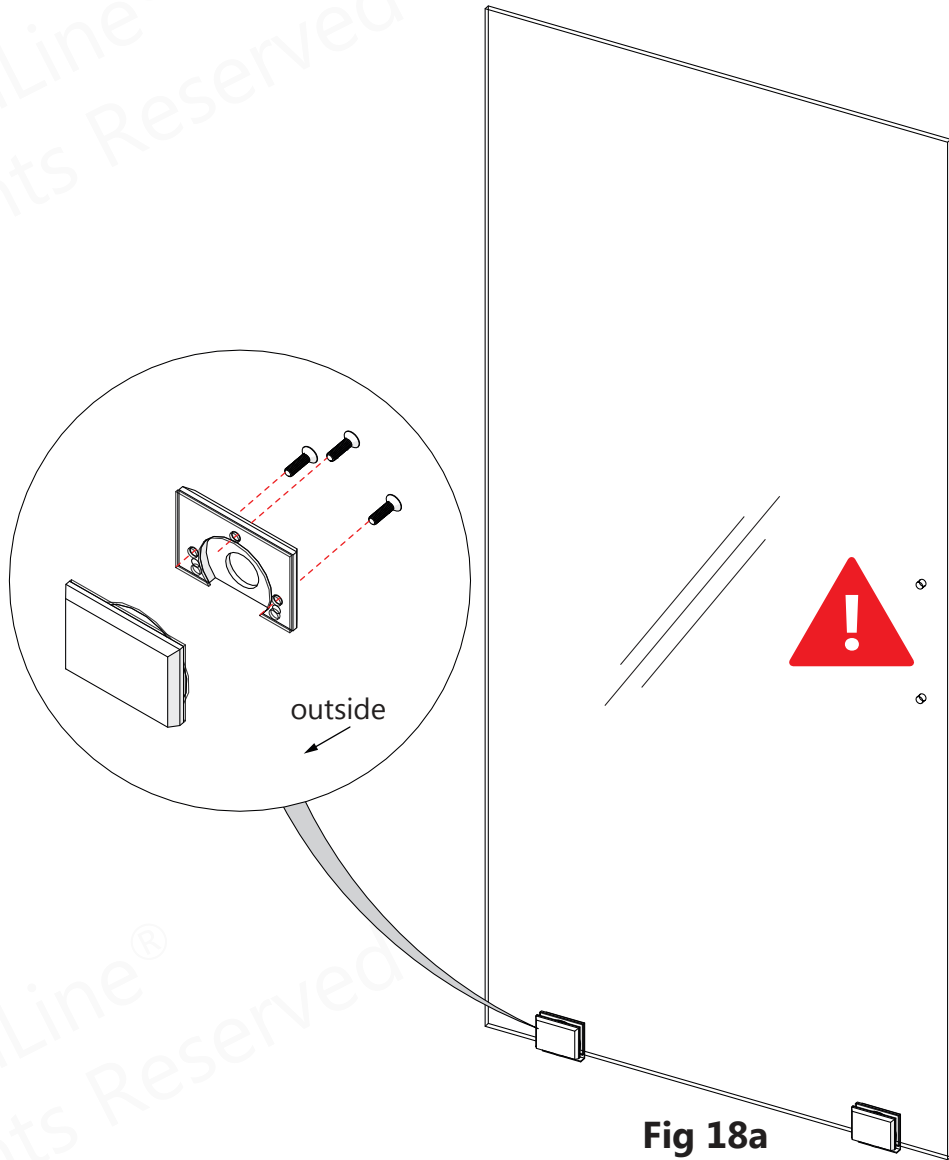
18

Bottom Roller Assembly Installation



NOTE

DO NOT completely disassemble the **Bottom Roller Assembly (#10)** during installation.



Item	Item Description	Quantity
10.1	Roller Assembly body (exterior)	1pc
10.2	Rubber pad 1	2pcs
10.3	Rubber pad 2	1pc
10.4	Bearing	1pc
10.5	Adjustment Disk	1pc
10.6	M5x14 Allen Bolt	4pcs
10.7	Roller Assembly Cover Plate	1pc
10.8	Roller Assembly Decorative Cover Plate	1pc
10.9	M5x16 Allen Bolt	2pcs



DO NOT install the handle onto the door glass until instructed. **DO NOT** attempt to lift the glass using the handle. Doing this could result in damage to the glass and/or serious personal injury. Use a professional grade glass suction cup and an assistant.

18

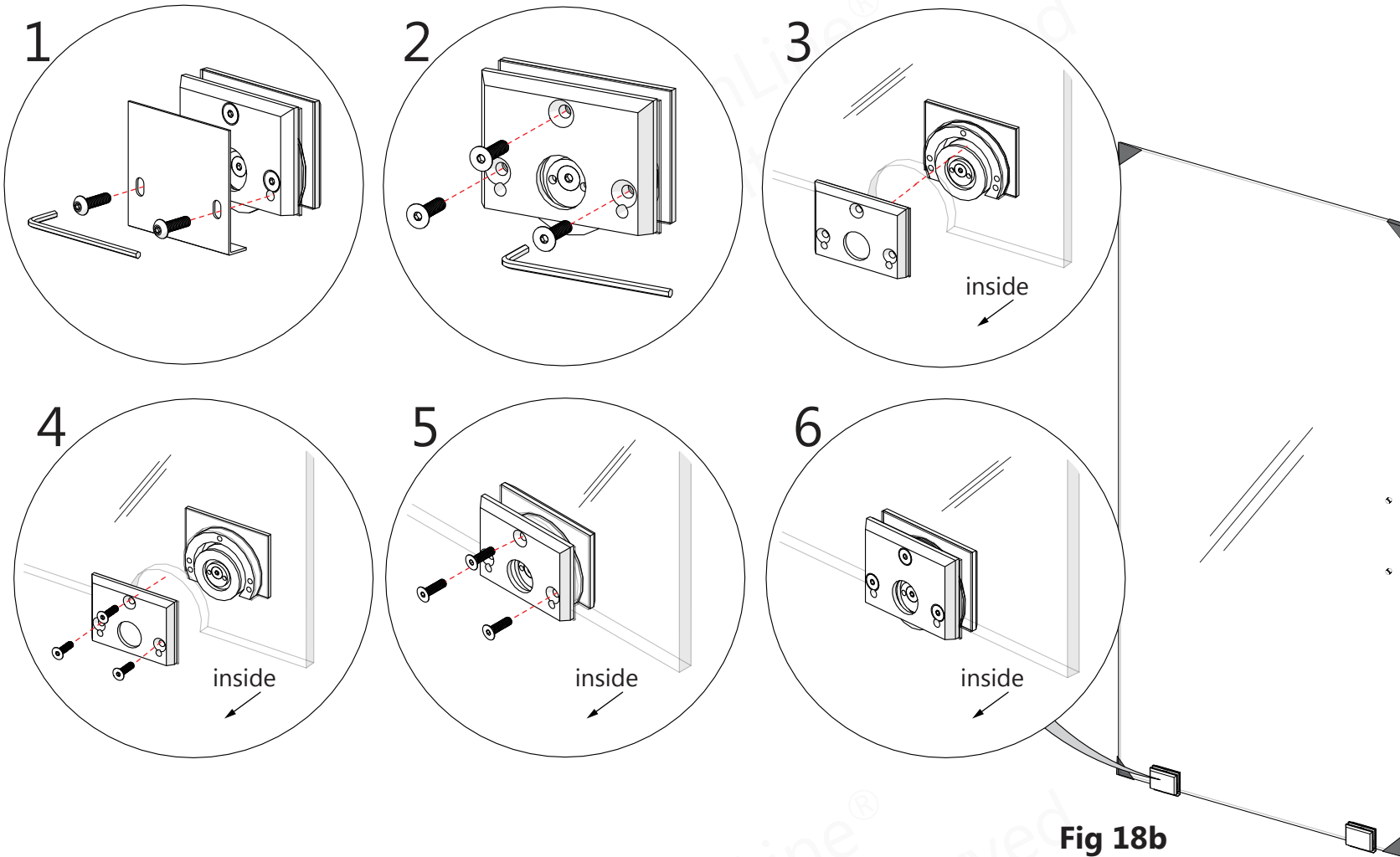


Fig 18b



Leave the corner protectors on the door glass until it is necessary to remove them.



Make certain that the bolts are facing inside the shower and the **Bottom Roller Assemblies (#10)** are installed squarely onto the glass as shown in **Fig 17c**.

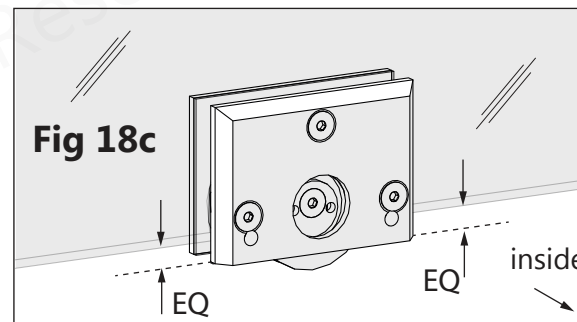
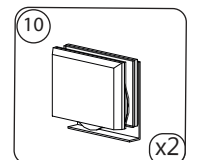
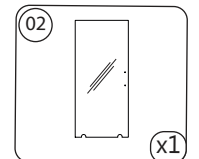


Fig 18c

Parts Needed



19



For the next steps, have an assistant available to hold the **Door Glass (#02)** in position during the installation of the **Top Guide Block Assembly (#09)**.

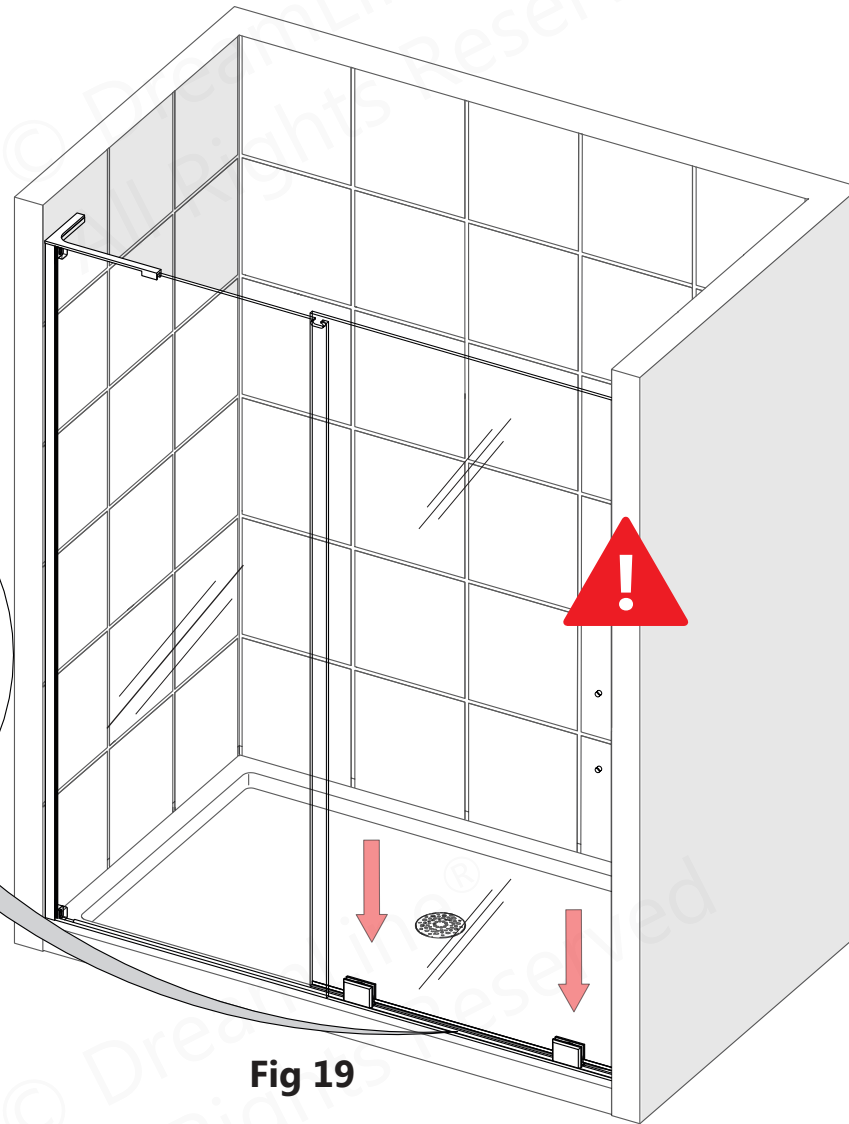
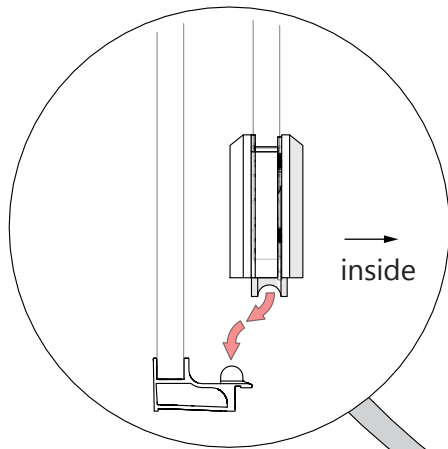
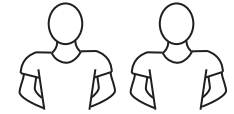
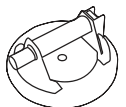


Fig 19



Use caution to prevent the door glass from making contact with the installed **Inline Panel Glass** or the wall during installation.

Tools Needed



20

Top Guide Block Installation

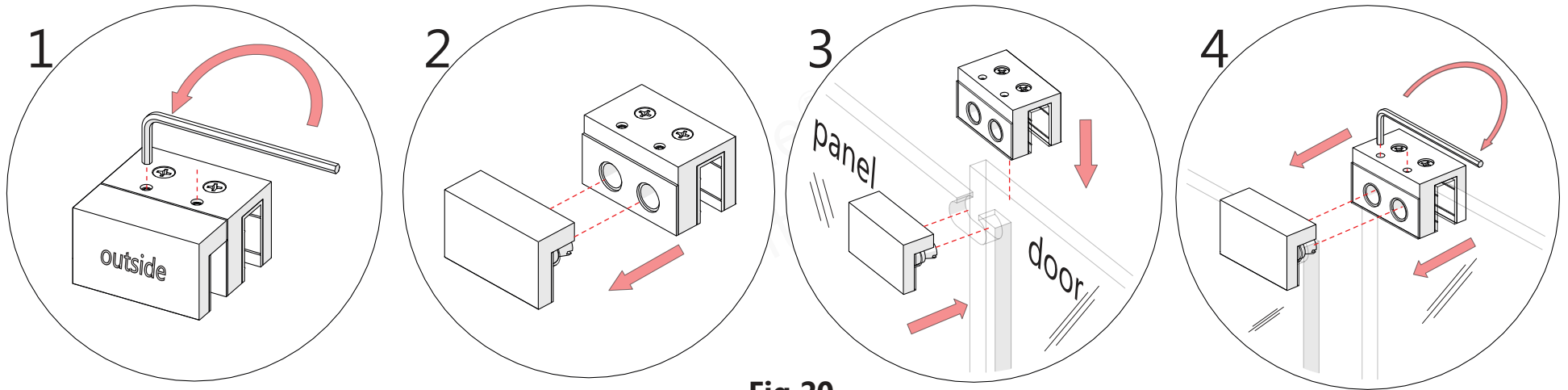
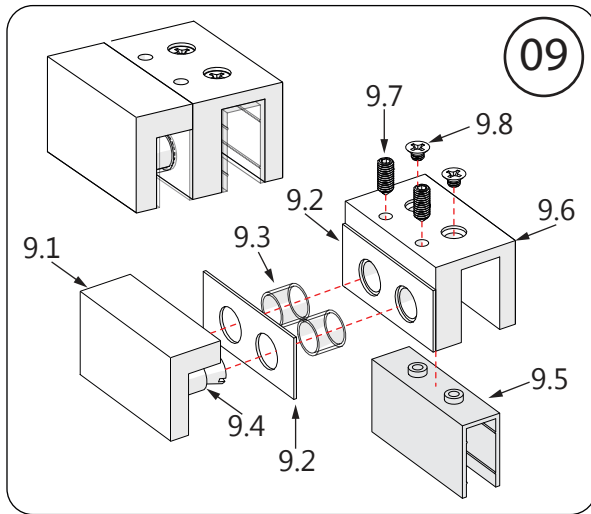
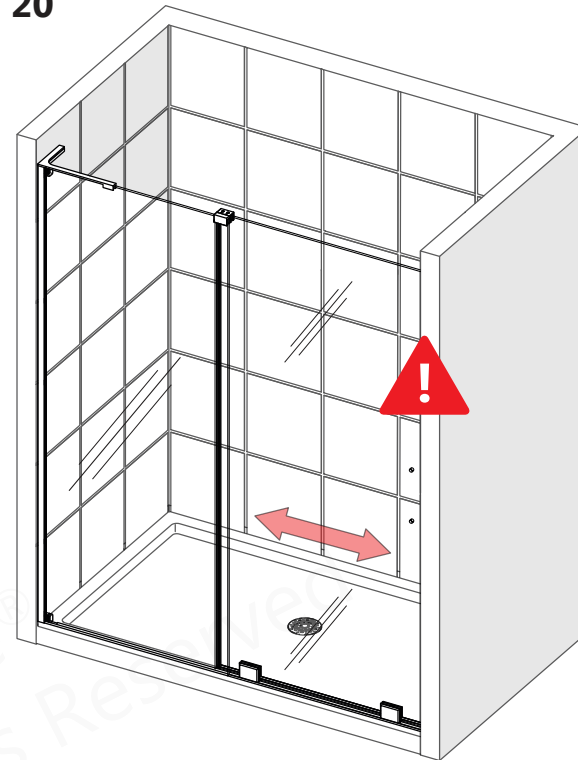


Fig 20

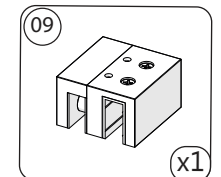


Item	Item Description	Quantity
9.1	Exterior Slider Bracket (for panel)	1pc
9.2	Gasket	2pcs
9.3	Rubber Sleeve	2pcs
9.4	Shaft	2pcs
9.5	Sliding Pad	1pc
9.6	Sliding Guide Block (for door)	1pc
9.7	M5×10 Set Screw	2pcs
9.8	M4×4 Flat Head Screw	2pcs



!
Use caution to prevent the unprotected edge of the door glass from making contact with the wall during installation.

Parts Needed



!
DO NOT completely disassemble the **Top Guide Block Assembly (#09)** during installation.

21

Handle Installation

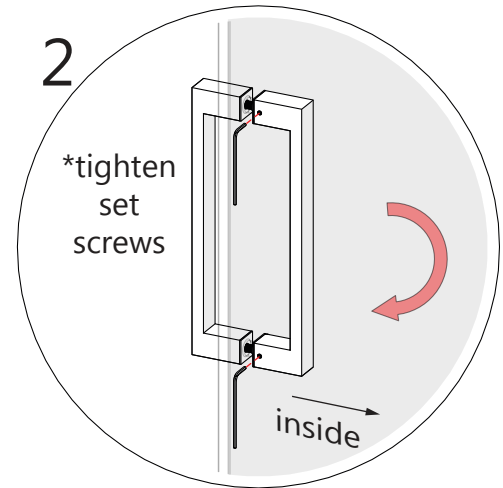
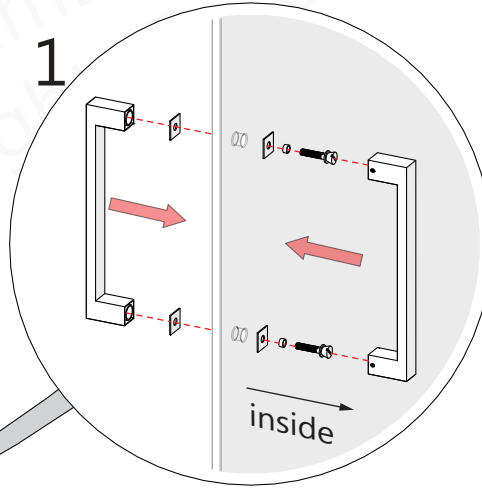
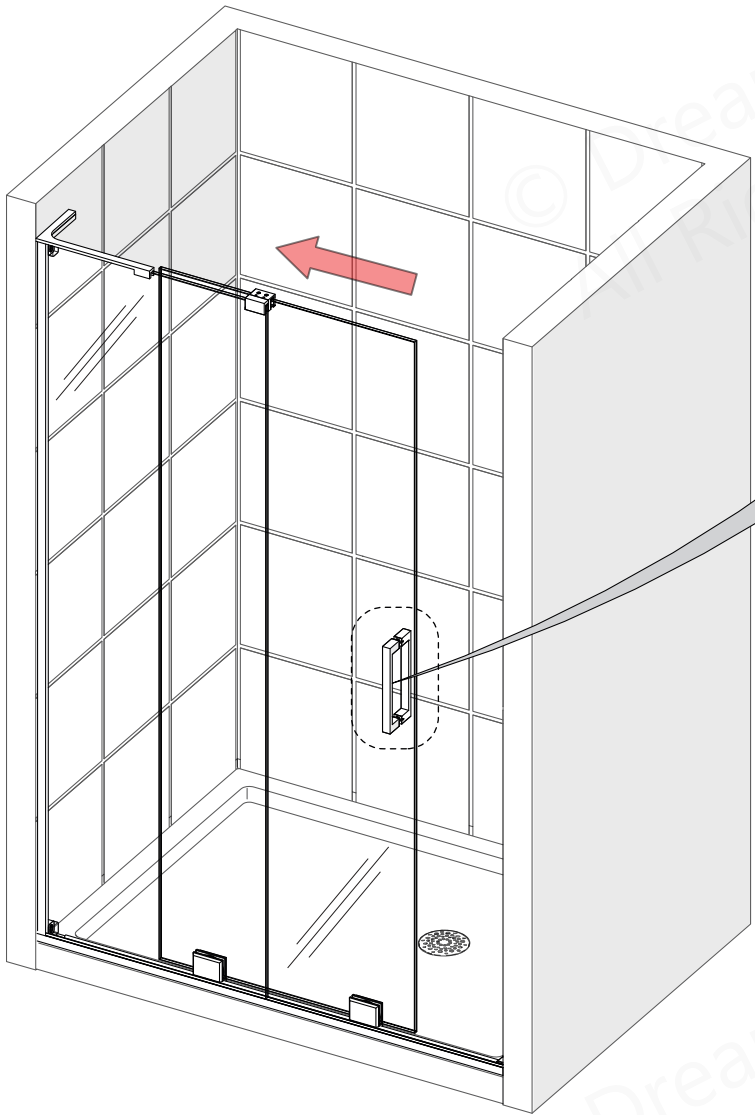
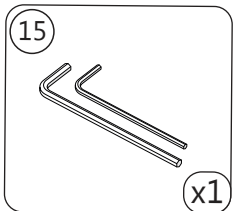
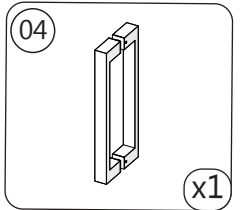


Fig 21

*right-hand door installation shown

Parts Needed



Be sure the **Handle (#04)** PVC gaskets and sleeves are in place. Secure the Handle to the glass by tightening the four set screws.

22

Strike Profile Installation

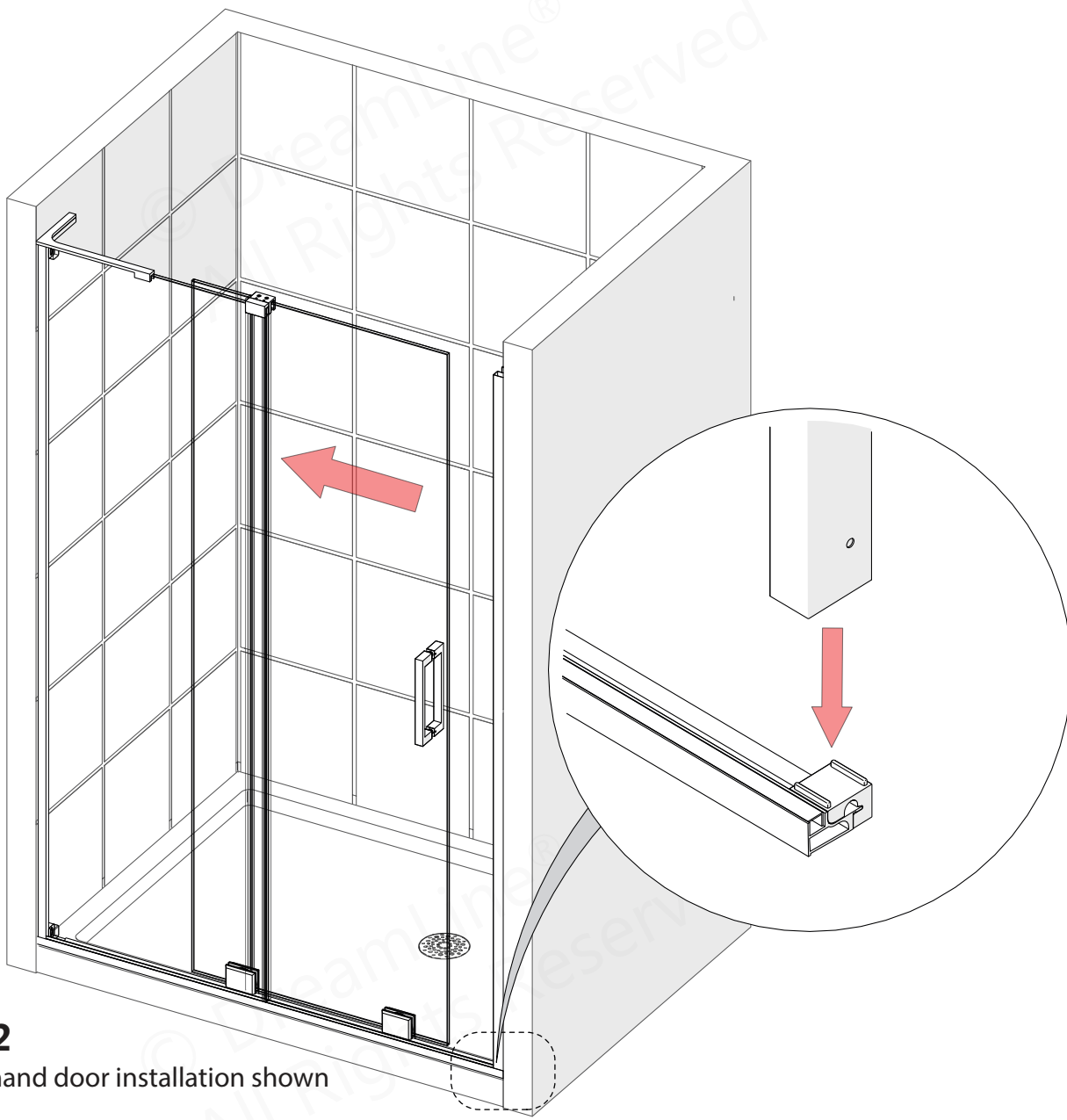
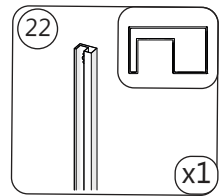


Fig 22
*Right-hand door installation shown

Parts Needed



23

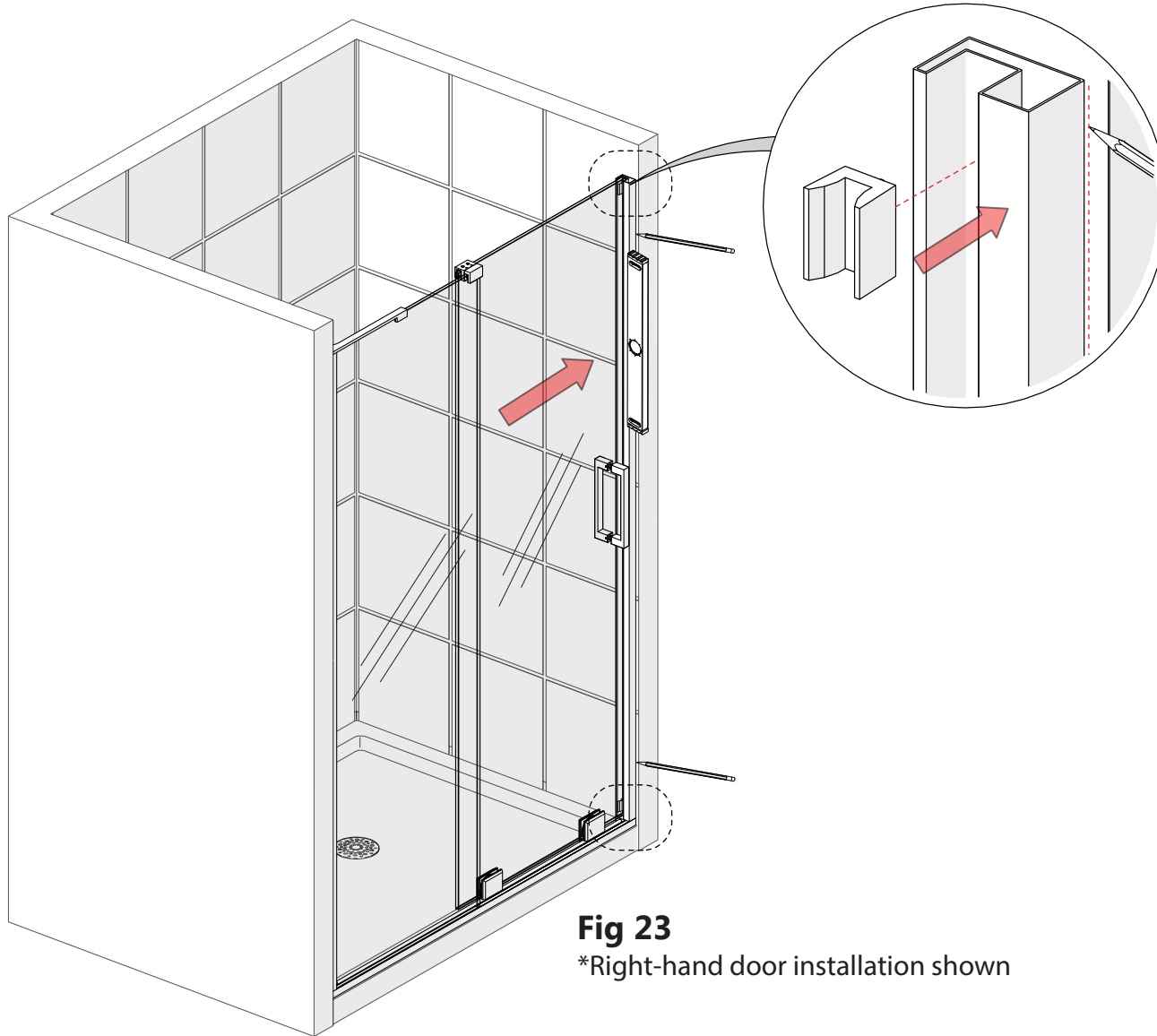
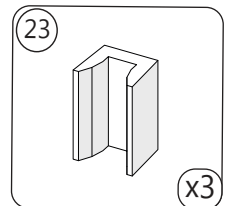


Fig 23
*Right-hand door installation shown

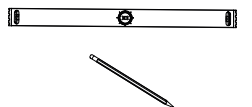
Partially insert at least two of the **PVC Bumper Inserts (#23)** at the top and bottom of the **Strike Profile (#22)** for accurate alignment with the door.
Do Not cover the holes that need to be marked on the wall.
Failure to use these inserts when aligning the Wall Profile may result in misalignment with the Door Glass.



Parts Needed



Tools Needed



24

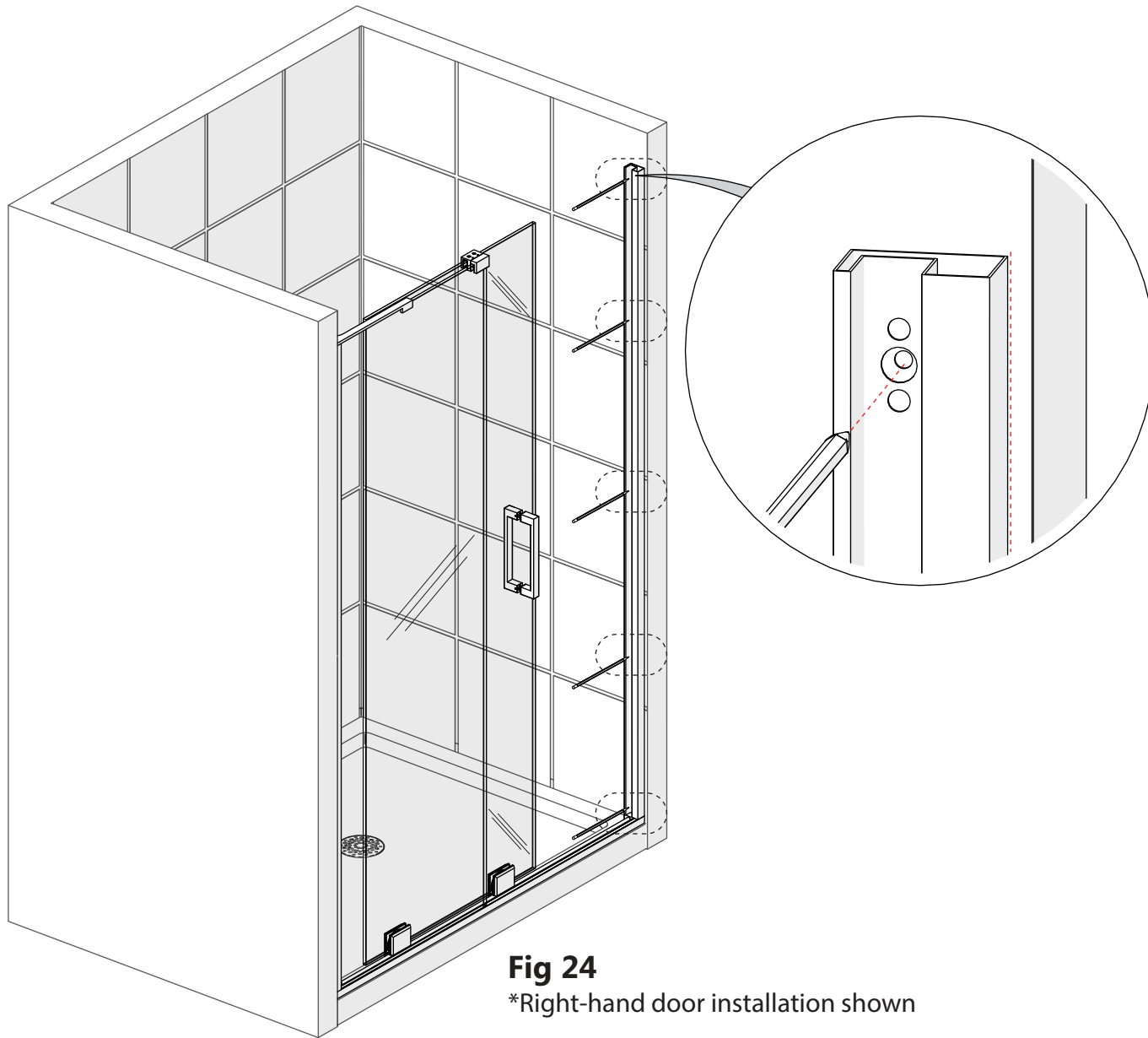
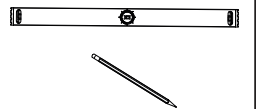


Fig 24
*Right-hand door installation shown

Tools Needed



25

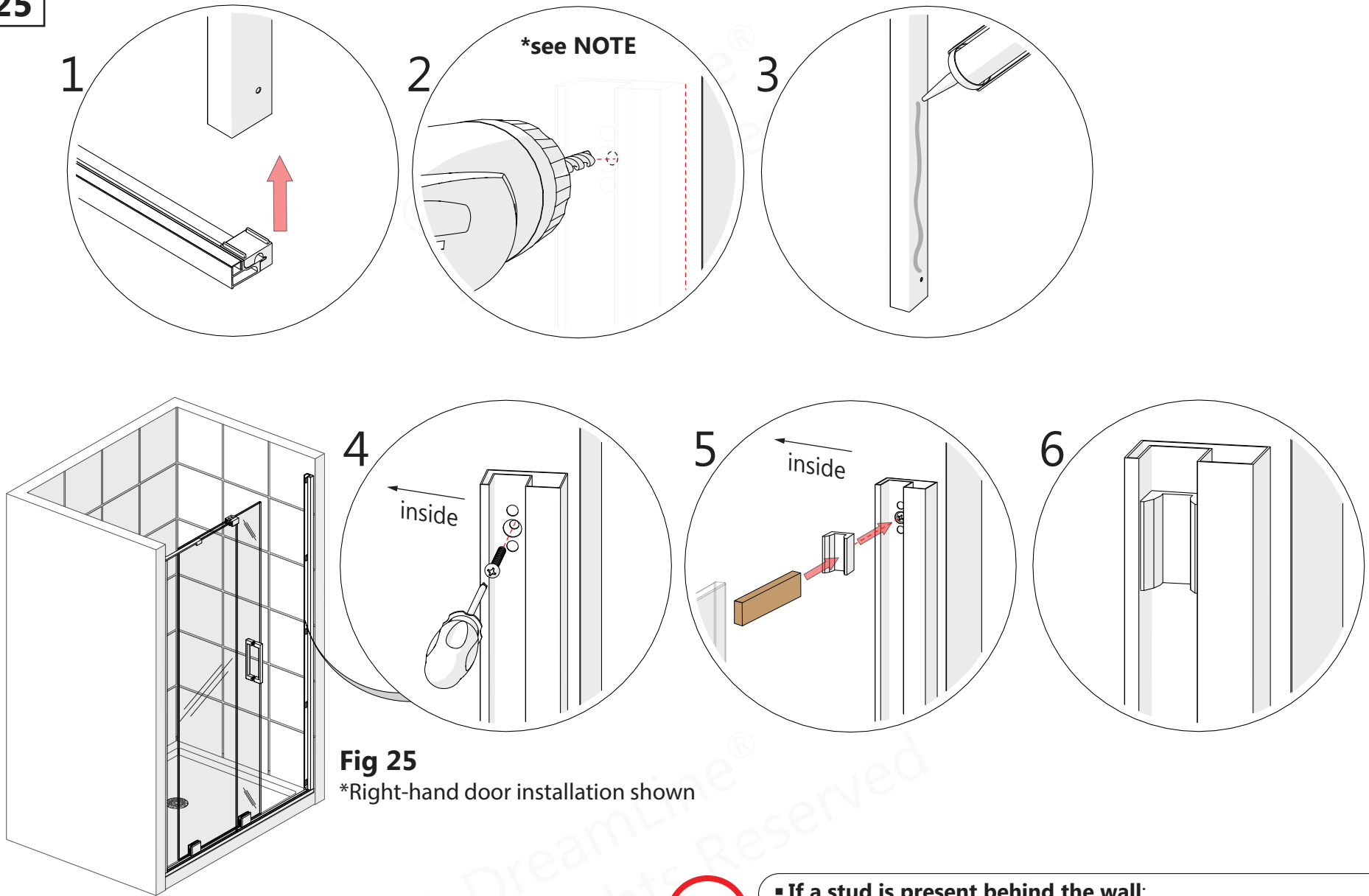


Fig 25

*Right-hand door installation shown

NOTE

▪ **If a stud is present behind the wall:**
drill a $\text{Ø}3/16''$ (4mm) hole up to the stud and use the **ST4.0 x 40mm Pan Screw (#16)**

OR

▪ **If no stud is present behind the wall:**
drill a $\text{Ø}5/16''$ (7mm) hole and insert the **Wall Anchors (#06)** and use the **ST4.0 x 40mm Pan Screw (#16)**



Use a 1/4" thick wood or plastic shim to fully press the **PVC Bumper Insert (#23)** into the **Strike Profile (#22)**. (see Fig. 25.5)

26

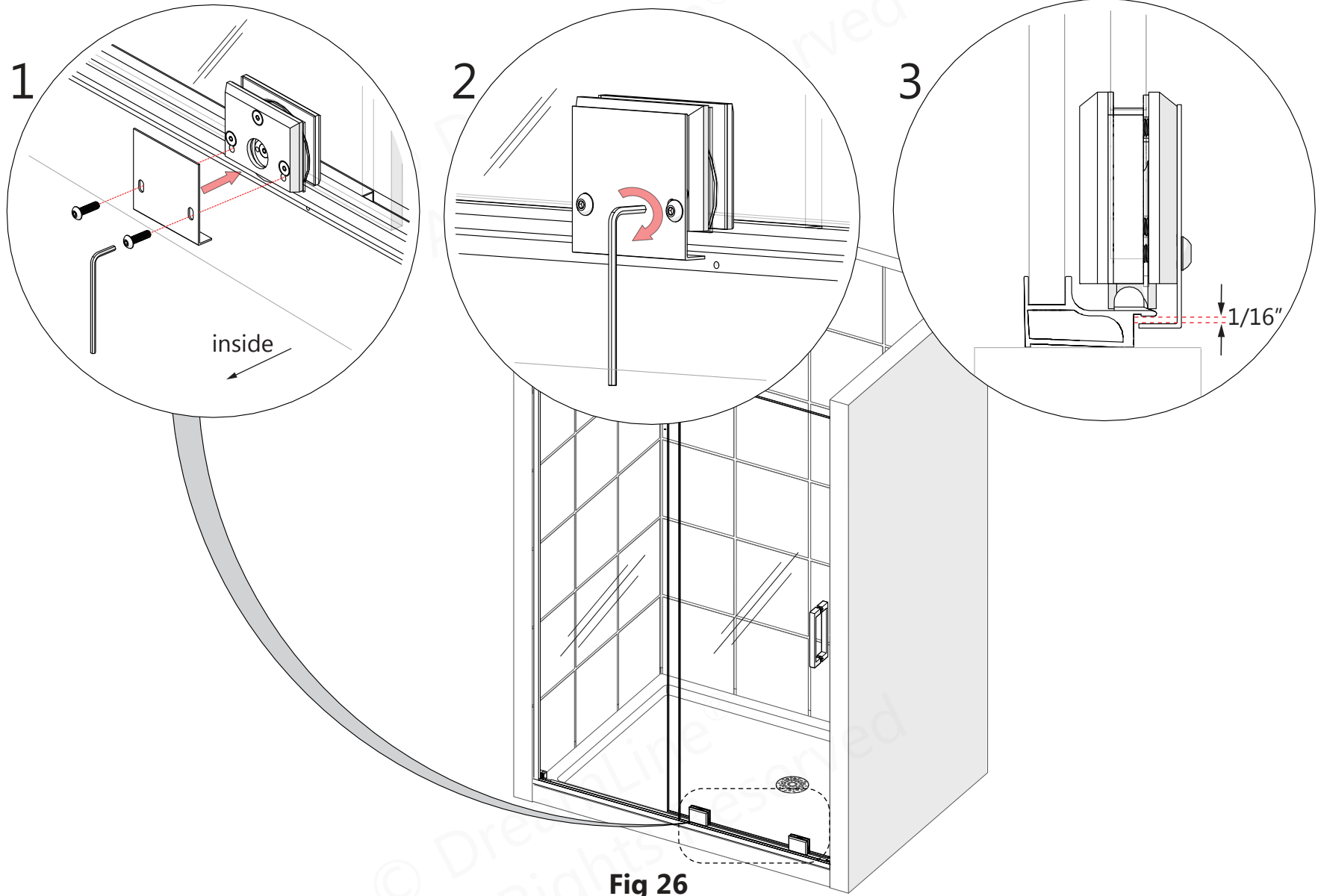
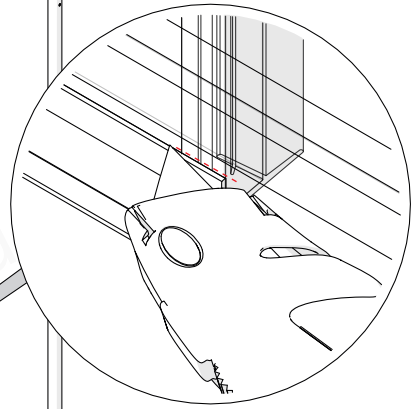
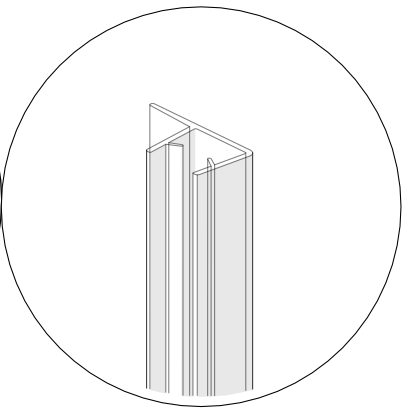
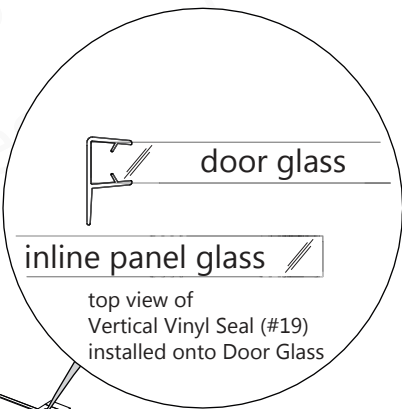
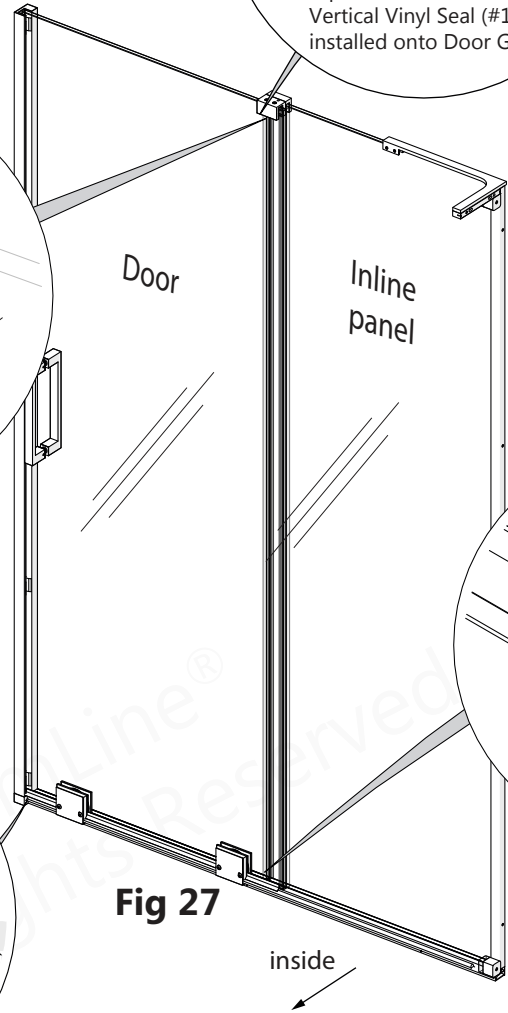
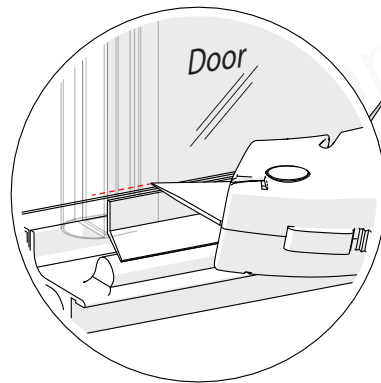
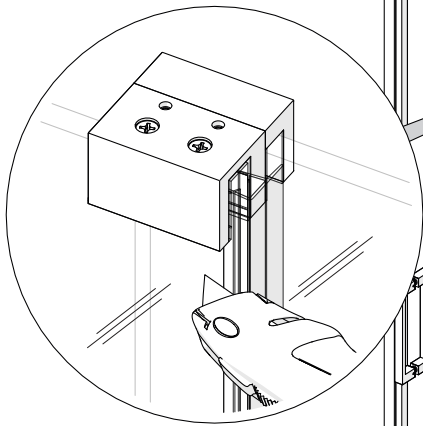
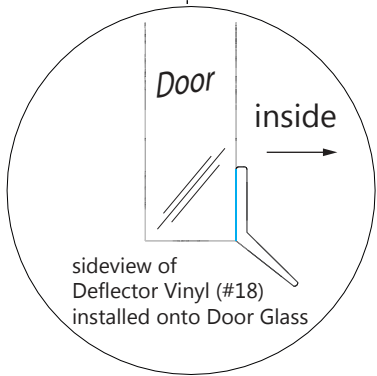
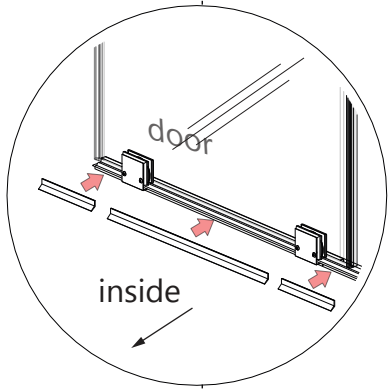
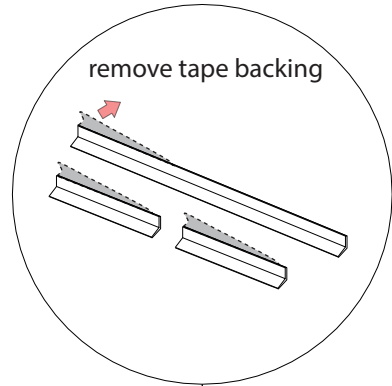


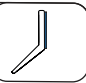
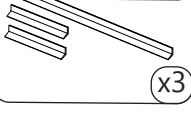


Fig 26

27

Deflector Vinyl and Vertical Vinyl Seal Installation



Parts Needed

- (18)   (x3)
- (19)   (x1)

Tools Needed

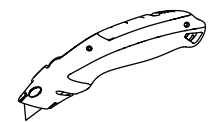


Fig 27

28

NOTE

The surfaces need to be clean and free of debris before applying silicone.

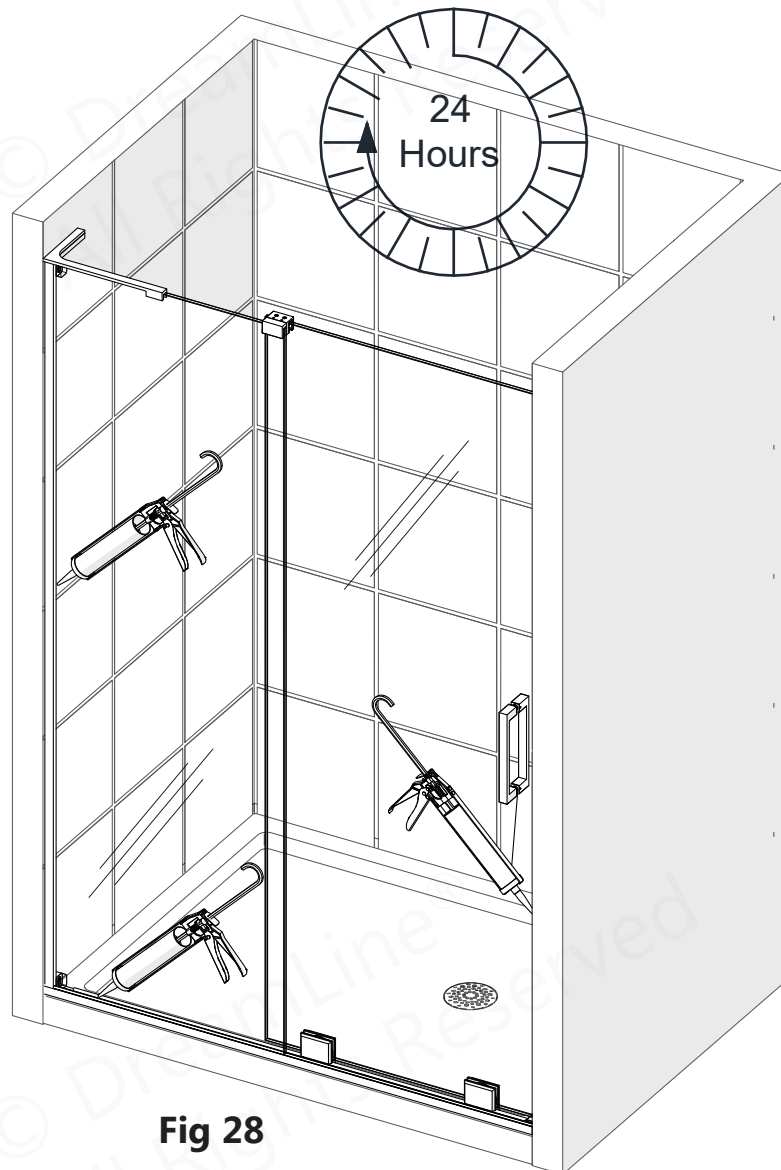
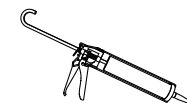


Fig 28



Allow 24 hours for the silicone caulk to cure before using shower.

Tools Needed



Product Maintenance

BASES and BACKWALLS: To ensure long lasting life for your acrylic back walls: wipe them off after each use with a soft cloth. To clean the acrylic back walls use non-abrasive sprays or cream based cleaners. Avoid the use of aerosol spray cleaners. Never use abrasive cleansers, metal brushes or scrapers that could permanently scratch or dull the surface.

GLASS: To ensure long lasting life for your glass shower products: wipe them off after each use with a soft cloth. Rinse and wipe off the glass using either a soft cloth or a squeegee to prevent soap buildup and water spots (Hard water can etch the surface of the glass over time if left to dry). To prevent scratching the surface: never use abrasive cleaners or cleaning products that contain scouring agents. Never use bristle brushes or abrasive sponges that may scratch the surface of the glass.

HARDWARE: To ensure a long lasting finish: wipe off all metal parts after each use with a soft cloth. Do not use abrasive cleaners or cleaning products containing ammonia, bleach or acid. If accidentally used, rinse the surface as soon as possible to prevent damage to the finish (peeling or corrosion). After cleaning the polished finishes, rinse thoroughly and wipe dry with a soft clean cloth.

Clean stainless steel surfaces at least once a week. When applying stainless steel cleaner or polish to stainless steel hardware, work with the grain (not across the grain). Never use an abrasive sponge or cloth, steel wool or wired brush as these may permanently scratch the surfaces.



To maximize the life of your door, it is important to regularly inspect the glass and other hardware for misalignment, proper attachment, and/or damage. Contact DreamLine® with any questions or concerns.

MIRAGE-Z Maintenance Checklist

- Bottom Guide Rail** level and tight to the threshold
- U-Channel** plumb and tight to the wall
 - Inline Panel Glass** secured within the U-Channel
- SafeStop™ Bumpers** (upper / lower) secured to wall
- L-Bar™** level and secured to the Inline Panel Glass and to the wall
 - Gaskets in place
 - All set screws tight
- PVC Glass Spacer 0.5mm** present between the **Inline Panel Glass** and the end of the **Bottom Channel Insert** to prevent glass-to-metal contact.
- Bottom Roller Assemblies** secured tightly to the **Door Glass**
 - All bolts are tight and installed squarely on the glass
- Door Glass** rolls smoothly within the **Top Guide Block** during operation
 - Top Guide Block** set screws are tight
- Handle** is tightly secured to the Door Glass
- Strike Profile** is plumb and tight to the wall
 - PVC Inserts** are tightly secured into the Wall Profile
- Deflector Vinyl** is secured to the bottom of the Door Glass
- Remove vinyl seals to **inspect the edges of the Door Glass** for concealed damage
 - Damaged glass must be replaced!**
- Replace damaged or missing vinyl seals
- Inspect and replace silicone as necessary to prevent water leakage

Troubleshooting

Problem/Symptom	Suggested Solution
Missing Parts	<ul style="list-style-type: none"> • Check all shipping/packaging material for missing parts/components. • If not found, contact DreamLine Customer Support [1-866-731-2244] to order factory part replacement.
Bottom Guide Rail (#03) was cut too short or was cut from the wrong end during installation.	<ul style="list-style-type: none"> • Contact DreamLine Customer Support [1-866-731-2244] to order factory part replacement.
Water Leakage: Bottom Guide Rail (#03)	<ul style="list-style-type: none"> • Confirm that silicone was properly applied along the entire length of the bottom rail. • Confirm that the Bottom Channel Insert (#12) is installed correctly [see Step 16] • Direct the shower head/water flow away from the area.
Water Leakage: Inline Panel/Door Glass (#01/#02)	<ul style="list-style-type: none"> • Confirm the Vertical Vinyl Seal (#19) and Bulb Vinyl Seal (#13) are installed properly. [see Step 23] • Direct the shower head/water flow away from the area.
Door Glass (#02) experiences grinding or scraping during use/or operation.	<ul style="list-style-type: none"> • Check that the Bottom Roller Assemblies (#10) are installed squarely onto the Door Glass (#02). [see Step 17] • Check the Roller Assembly Cover Plate (#10.7) and confirm that it has 1/16"-1/8" clearance gap beneath Bottom Guide Rail (#03) as shown in Fig 22.3.
Door Glass (#02) does not create a good seal with the wall when in the closed position.	<ul style="list-style-type: none"> • Adjust the Bottom Roller Assemblies (#10) with the Roller Installation Tool (#20) as shown on Page 37.
Roller Assembly Cover Plate (#10.7) makes contact with Bottom Guide Rail (#03) .	<ul style="list-style-type: none"> • Check the Roller Assembly Cover Plate (#10.7) and confirm that it has 1/16"-1/8" clearance gap beneath Bottom Guide Rail (#03) as shown in Fig 22.3.
L-Bar™ Support Bracket (#05) not installed level with the panel glass.	<ul style="list-style-type: none"> • Review the L-Bar™ Support Bracket (#05) installation steps to adjust the L-Bar. [see Steps 13-15] • Confirm gaskets are in place to protect the glass • Removal and reinstallation may be necessary. • The L-Bar must be installed correctly for the safety of the installation.



Prior to contacting DreamLine® Customer Service, please have the following information readily available:

- Purchase Order Information
 - Name, PO Number, Dealer/Vendor Name, etc.
- SKU/Model Number (see Pages 36-41)
- Factory Part Information (see Pages 36-41)

Bottom Roller Assembly Adjustment Procedure

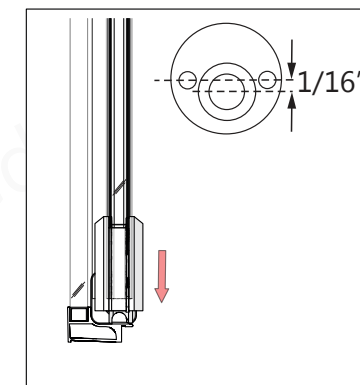
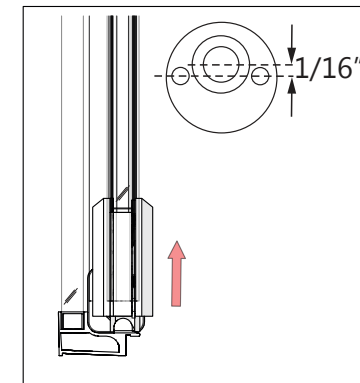
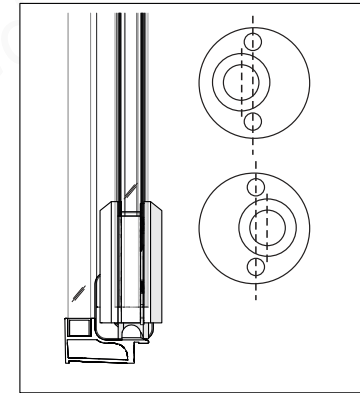
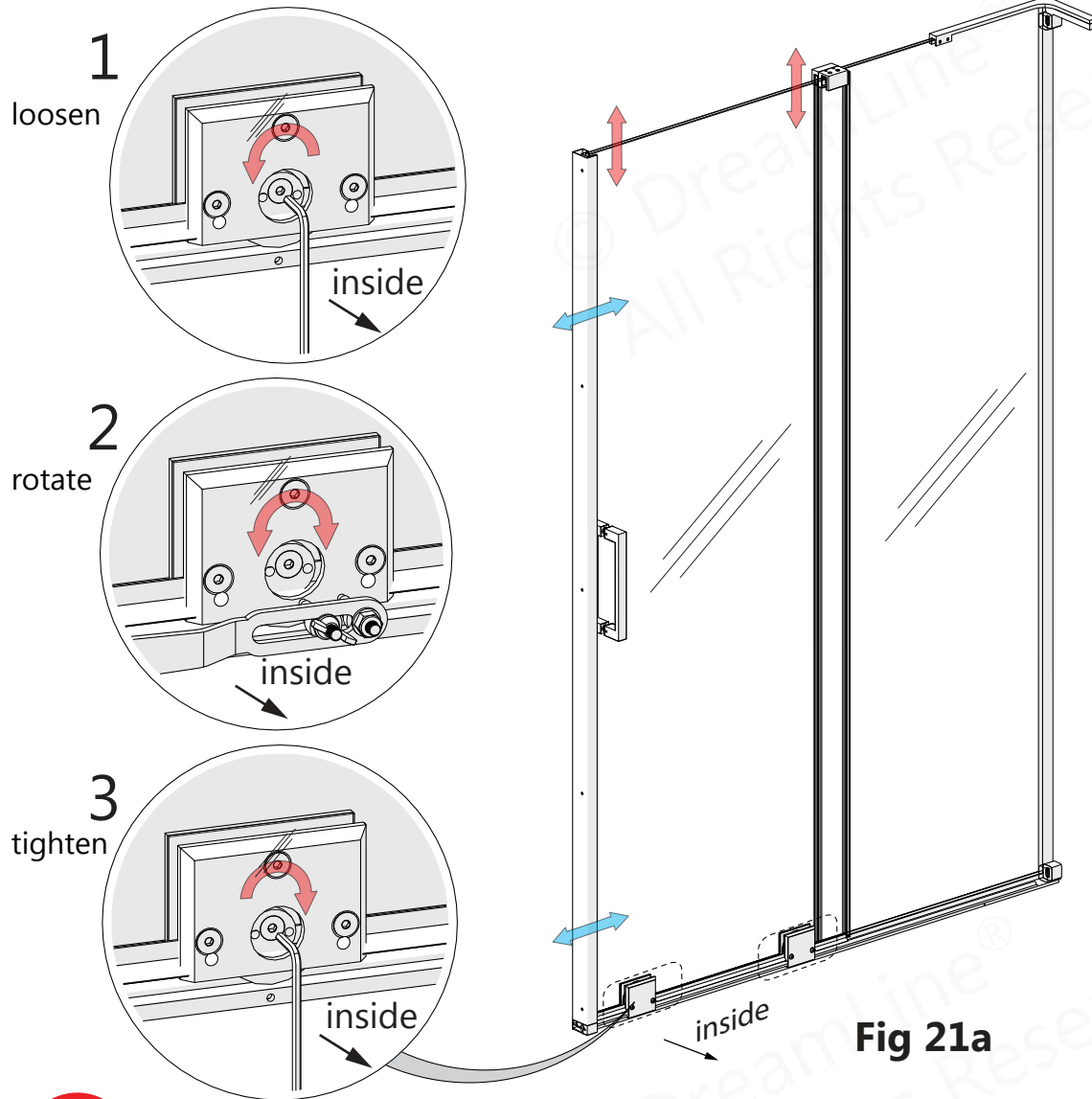
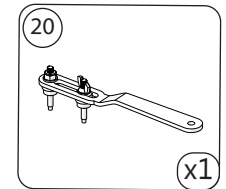
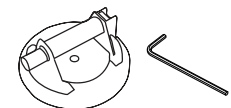


Fig 21b

Parts Needed



Tools Needed



NOTE

Adjust the door glass to create a good seal with the wall by using the adjustment feature in the Roller Assemblies.



Use shims beneath the **Door Glass (#02)** during adjustment to prevent the door glass from making contact with the **Bottom Guide Rail (#03)**.

Factory Parts Information

MIRAGE-Z 60x58 SHDR-1960584-##		FACTORY PARTS INFORMATION	
ITEM #	FACTORY PART NUMBER	ITEM DESCRIPTION	QTY
01	010260002	Inline Panel Glass	1 pc
02	010260005	Door Glass	1 pc
03	041700 1 1-1574 / 041700 4 1-1574	Bottom Guide Rail for 10mm (3/8in) Glass	1 pc
04	0722 1 042 / 0722 4 042	Back-to-Back 8in. Square Handle Assembly for 10mm (3/8in) Glass	1 pc
05	0712 1 139 / 0712 4 139 0712 1 140 / 0712 4 140	L-Bar Support Bracket 18in for 10mm (3/8in) Glass (Left Right)	1 pc
06	07552148	Wall Anchor 8mm (5/16in)	6 pcs
08	091105	ST4.0 x 30mm Pan Head Screw	5 pcs
09	0701 1 102 / 0701 4 102	Top Guide Block Assembly for 10mm (3/8in) Glass	1 pc
10	0731 1 019 / 0731 4 019	Bottom Roller Assembly for 10mm (3/8in) Glass	2 pcs
11	0702 1 154 / 0702 4 154	SafeStop™ Bumper Assembly (small)	2 pcs
12	0712 1 081 / 0712 4 081	Bottom Channel Insert SS for 10mm (3/8in)	1 pc
14	07550083	PVC Glass Spacer 0.5mm	1 pc
15	098002 / 098003	Allen Wrench (2.5mm/3mm)	1 set
16	091107	ST4.0 x 40mm Pan Head Screw	17 pcs
17	0712 1 086 / 0712 4 086	U-Channel 1" SS for 10mm (3/8in) Glass	1 pc
18	063023000-0652	Deflector Vinyl with VHB Tape (rigid)	3 pcs
19	063002100-1447	Vinyl Seal with a Flexible Fin for 10mm (3/8in) Glass	1 pc
20	098010	Roller Installation Tool	1 pc
21	0755 1 075 / 0755 4 075	Bottom Support Block for U-Channel	1 pc
22	0712 1 088 / 0712 4 088	Strike Profile 1" SS for Bumper Inserts	1 pc
23	07550074	PVC Bumper Insert for 10mm (3/8in.) Glass	5 pcs

BOLD digit indicates finish color:

1 = Polished SS

4 = Brushed SS

Contact Support@DreamLine.com for Part replacement, installation assistance or additional information.

Complete **Warranty** information is available on DreamLine.com.

Factory Parts Information

MIRAGE-Z 48x72 SHDR-1948724-##		FACTORY PARTS INFORMATION	
ITEM #	FACTORY PART NUMBER	ITEM DESCRIPTION	QTY
01	010260001	Inline Panel Glass	1 pc
02	010260004	Door Glass	1 pc
03	041700 1 1-1270 / 041700 4 1-1270	Bottom Guide Rail for 10mm (3/8in) Glass	1 pc
04	0722 1 042 /0722 4 042	Back-to-Back 8in. Square Handle Assembly for 10mm (3/8in) Glass	1 pc
05	0712 1 048 / 0712 4 048 0712 1 049 / 0712 4 049	L-Bar Support Bracket 12in for 10mm (3/8in) Glass (Left Right)	1 pc
06	07552148	Wall Anchor 8mm (5/16in)	6 pcs
08	091105	ST4.0 x 30mm Pan Head Screw	5 pcs
09	0701 1 102 / 0701 4 102	Top Guide Block Assembly for 10mm (3/8in) Glass	1 pc
10	0731 1 019 /0731 4 019	Bottom Roller Assembly for 10mm (3/8in) Glass	2 pcs
11	0702 1 154 / 0702 4 154	SafeStop™ Bumper Assembly (small)	2 pcs
12	0712 1 080 / 0712 4 080	Bottom Channel Insert SS for 10mm (3/8in)	1 pc
14	07550083	PVC Glass Spacer 0.5mm	1 pc
15	098002 / 098003	Allen Wrench (2.5mm/3mm)	1 set
16	091107	ST4.0 x 40mm Pan Head Screw	17 pcs
17	0712 1 085 / 0712 4 085	U-Channel 1" SS for 10mm (3/8in) Glass	1 pc
18	063023000-0503	Deflector Vinyl with VHB Tape (rigid)	3 pcs
19	063002100-1804	Vinyl Seal with a Flexible Fin for 10mm (3/8in) Glass	1 pc
20	098010	Roller Installation Tool	1 pc
21	0755 1 075 / 0755 4 075	Bottom Support Block for U-Channel	1 pc
22	0712 1 087 / 0712 4 087	Strike Profile 1" SS for Bumper Inserts	1 pc
23	07550074	PVC Bumper Insert for 10mm (3/8in.) Glass	5 pcs

BOLD digit indicates finish color:

1 = Polished SS

4 = Brushed SS

Contact Support@DreamLine.com for Part replacement, installation assistance or additional information.

Complete **Warranty** information is available on DreamLine.com.

Factory Parts Information

MIRAGE-Z 54x72 SHDR-1954724-##		FACTORY PARTS INFORMATION	
ITEM #	FACTORY PART NUMBER	ITEM DESCRIPTION	QTY
01	010260007	Inline Panel Glass	1 pc
02	010260008	Door Glass	1 pc
03	041700 1 1-1422 /041700 4 1-1422	Bottom Guide Rail for 10mm (3/8in) Glass	1 pc
04	0722 1 042 /0722 4 042	Back-to-Back 8in. Square Handle Assembly for 10mm (3/8in) Glass	1 pc
05	0712 1 139 / 0712 4 139 0712 1 140 / 0712 4 140	L-Bar Support Bracket 18in for 10mm (3/8in) Glass (Left Right)	1 pc
06	07552148	Wall Anchor 8mm (5/16in)	6 pcs
08	091105	ST4.0 x 30mm Pan Head Screw	5 pcs
09	0701 1 102 / 0701 4 102	Top Guide Block Assembly for 10mm (3/8in) Glass	1 pc
10	0731 1 019 / 0731 4 019	Bottom Roller Assembly for 10mm (3/8in) Glass	2 pcs
11	0702 1 154 / 0702 4 154	SafeStop™ Bumper Assembly (small)	2 pcs
12	0712 1 141 / 0712 4 141	Bottom Channel Insert SS for 10mm (3/8in)	1 pc
14	07550083	PVC Glass Spacer 0.5mm	1 pc
15	098002 / 098003	Allen Wrench (2.5mm/3mm)	1 set
16	091107	ST4.0 x 40mm Pan Head Screw	17 pcs
17	0712 1 085 / 0712 4 085	U-Channel 1" SS for 10mm (3/8in) Glass	1 pc
18	063023000-0578	Deflector Vinyl with VHB Tape (rigid)	3 pcs
19	063002100-1804	Vinyl Seal with a Flexible Fin for 10mm (3/8in) Glass	1 pc
20	098010	Roller Installation Tool	1 pc
21	0755 1 075 / 0755 4 075	Bottom Support Block for U-Channel	1 pc
22	0712 1 087 / 0712 4 087	Strike Profile 1" SS for Bumper Inserts	1 pc
23	07550074	PVC Bumper Insert for 10mm (3/8in.) Glass	5 pcs

BOLD digit indicates finish color:

1 = Polished SS

4 = Brushed SS

Contact Support@DreamLine.com for Part replacement, installation assistance or additional information.

Complete **Warranty** information is available on DreamLine.com.

Factory Parts Information

MIRAGE-Z 60x72 SHDR-1960724-##		FACTORY PARTS INFORMATION	
ITEM #	FACTORY PART NUMBER	ITEM DESCRIPTION	QTY
01	010260003	Inline Panel Glass	1 pc
02	010260006	Door Glass	1 pc
03	041700 1 1-1574 / 041700 4 1-1574	Bottom Guide Rail for 10mm (3/8in) Glass	1 pc
04	0722 1 042 / 0722 4 042	Back-to-Back 8in. Square Handle Assembly for 10mm (3/8in) Glass	1 pc
05	0712 1 139 / 0712 4 139 0712 1 140 / 0712 4 140	L-Bar Support Bracket 18in for 10mm (3/8in) Glass (Left Right)	1 pc
06	07552148	Wall Anchor 8mm (5/16in)	6 pcs
08	091105	ST4.0 x 30mm Pan Head Screw	5 pcs
09	0701 1 102 / 0701 4 102	Top Guide Block Assembly for 10mm (3/8in) Glass	1 pc
10	0731 1 019 / 0731 4 019	Bottom Roller Assembly for 10mm (3/8in) Glass	2 pcs
11	0702 1 154 / 0702 4 154	SafeStop™ Bumper Assembly (small)	2 pcs
12	0712 1 081 / 0712 4 081	Bottom Channel Insert SS for 10mm (3/8in)	1 pc
14	07550083	PVC Glass Spacer 0.5mm	1 pc
15	098002 / 098003	Allen Wrench (2.5mm/3mm)	1 set
16	091107	ST4.0 x 40mm Pan Head Screw	17 pcs
17	0712 1 085 / 0712 4 085	U-Channel 1" SS for 10mm (3/8in) Glass	1 pc
18	063023000-0652	Deflector Vinyl with VHB Tape (rigid)	3 pcs
19	063002100-1804	Vinyl Seal with a Flexible Fin for 10mm (3/8in) Glass	1 pc
20	098010	Roller Installation Tool	1 pc
21	0755 1 075 / 0755 4 075	Bottom Support Block for U-Channel	1 pc
22	0712 1 087 / 0712 4 087	Strike Profile 1" SS for Bumper Inserts	1 pc
23	07550074	PVC Bumper Insert for 10mm (3/8in.) Glass	5 pcs

BOLD digit indicates finish color:

1 = Polished SS

4 = Brushed SS

Contact Support@DreamLine.com for Part replacement, installation assistance or additional information.

Complete **Warranty** information is available on DreamLine.com.

© DreamLine®
All Rights Reserved



© DreamLine®
All Rights Reserved

TEL: 866-731-2244
FAX: 866-857-3638
DREAMLINE.COM



For more information on DreamLine® Shower Doors and Enclosures please visit **DreamLine.com**