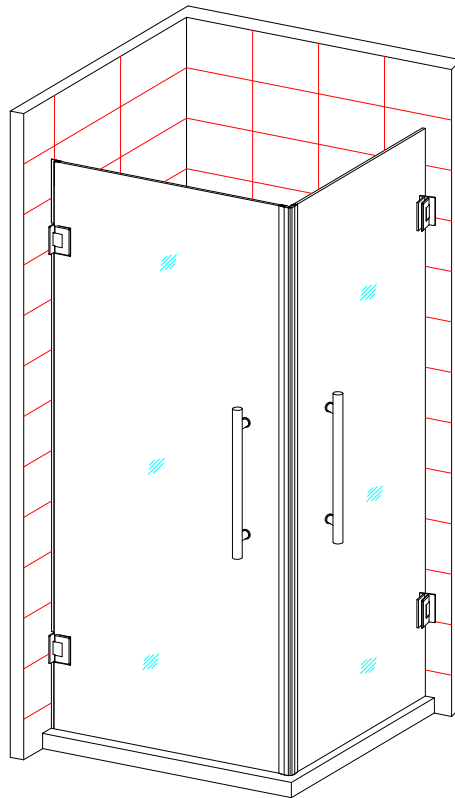




## INSTALLATION AND OWNER'S MANUAL VANORA MODEL

**ATTENTION:** This door is extremely heavy and the hinges on this door must be attached to the studs or to preinstalled 2 X 6 wood reinforcement behind the wall.



Please carefully read these instructions before you begin to install the products.

**IMPORTANT:**

ASTON reserves the right to alter, modify or redesign products at any time without prior notice. For the latest up-to-date technical drawings, manuals or any other details, please refer to the [www.astonbath.com](http://www.astonbath.com)

06/15 Rev B

# Before you start

Thank you for purchasing your Aston shower enclosure. We hope that it will provide you with years of satisfying use and enjoyment.

Please read this manual carefully because it contains information and instructions about the proper installation of the unit. If you do not follow certain conditions of installation and maintenance, your warranty may be affected.

1. Inspect boxes for shipping damage. If the product has been damaged, is missing parts, or has a finishing defect, please contact our customer support department within 5 business days of delivery date.
2. NOTE: You should consult your local building codes with questions on installation compliance standards. Plumbing and building codes vary by location.
3. Before installation, inspect installation surfaces or level and have to the strength to support the heavy weight of this shower door assembly. This shower door should only be installed using the connection point to the studs or to pre-installed 2x6 wood reinforcements behind the wall.
4. This Shower Enclosure assembly is very heavy and requires professional installation.

Aston Shower enclosures feature:

- Tempered Safety Glass
- High quality hardware

**WARNING: The Aston Shower enclosure is designed to be used with tiled walls. If you are using a pre-made Acrylic/ABS/FRP shower stall that will be thicker than average plus tile, then you must consider the offset of the pre-made panel thickness. If applicable, the shower tray has 1/4" of tolerance for the oversized wall thickness.**

## Certifications:

All Aston Shower enclosures are 3rd party tested to meet the following US, Canadian and International Standards:

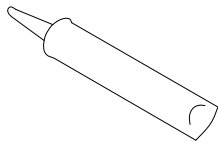
- CPSC 16 CFR1201 II / ANSI Z97.1 - 2009 Class A
- CSA B45 Series - 02

# Installation Guide

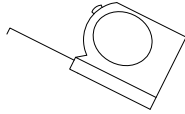
Please read and follow the installation instructions and guidelines in this section. Failure to follow the recommended instructions and installation techniques may lead to possible damage to the unit or the surrounding area. This can affect warranty claims.

**ATTENTION:** This unit requires assembly. A minimum of two people are required for assembly, as several of the sections can be large and unstable until assembled.

**You will need the following tools:**



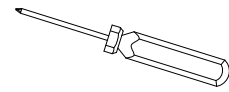
**Caulk**



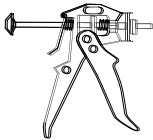
**Tape Measure**



**Pencil**



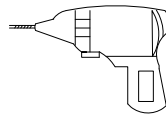
**Phillips Screwdriver**



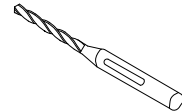
**Caulk Gun**



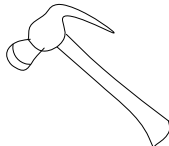
**Level**



**Electric Drill**



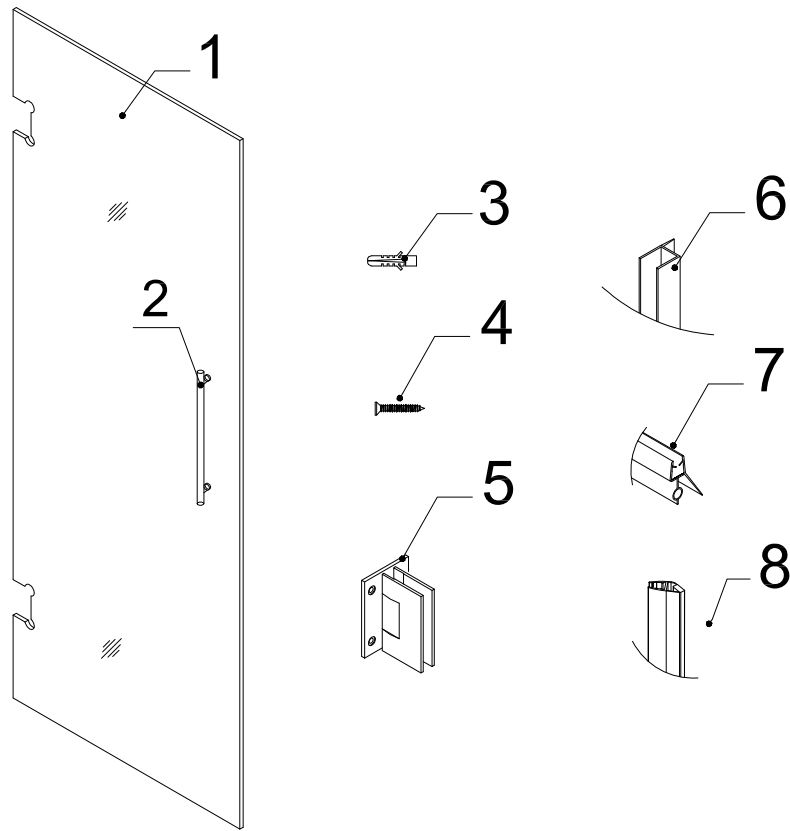
**Drill bit ( $\varnothing 5/16"$ )**



**Hammer**

Locate the accessory box and remove the individual screw and hardware packages. Lay them out in sequential order to aid in completing the rest of the installation.

# Detailed Diagrams of Shower Enclosure Components



01	Glass door	2pcs	05	Hinge	4pcs
02	Handle	2pc	06	Side strip (3 sections to cut)	2pcs
03	Wall anchor	16pcs	07	Bottom anti-water strip	2pcs
04	M5 X 60 screw	16pcs	08	Magnetic strip	2pcs

PLEASE NOTE: During unpacking carefully inspect all parts and identify all parts using detailed diagram in your manual as a reference. Before discarding the packaging check for any parts or small hardware bags that may have been overlooked.

# Shower Enclosure Assembly and Installation

**ATTENTION:** A minimum of two people are required for the next assembly steps.

This door is extremely heavy and the hinges on this door must be attached to the studs or to preinstalled 2X6 wood reinforcement behind the wall.

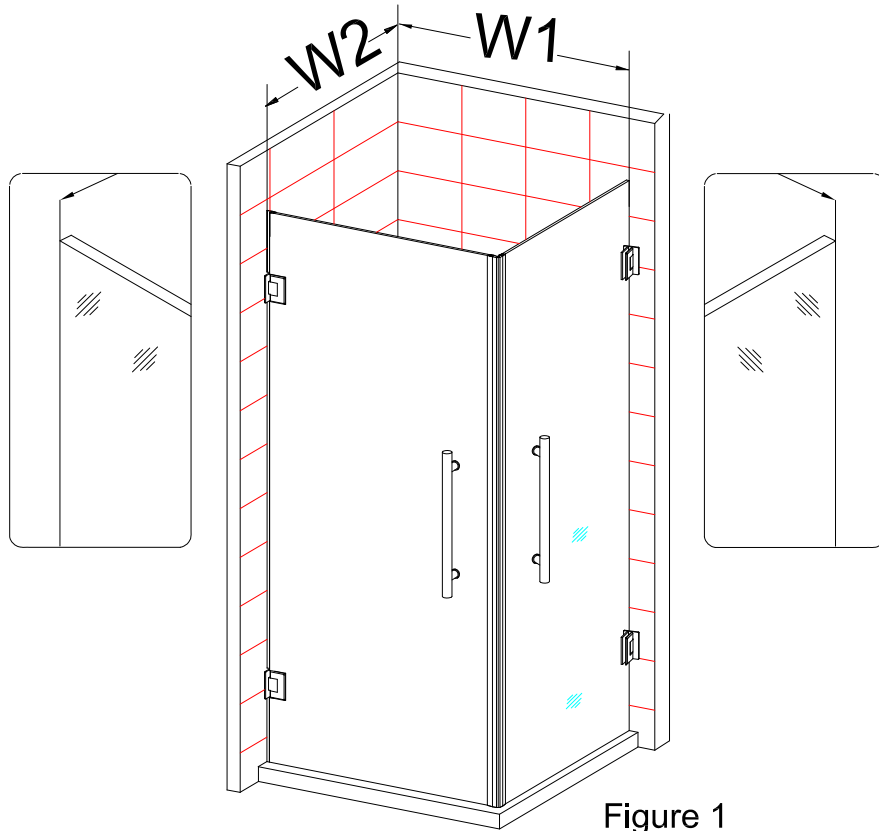


Figure 1

1. Measuring from the back corner in the shower, mark the the shower wall for Glass Door referring to the size of your model in the table below.

Model	W1 / W2
GLSD1030	30 $\frac{3}{16}$ " / 767mm
GLSD1032	32 $\frac{3}{16}$ " / 818mm
GLSD1034	34 $\frac{7}{32}$ " / 869mm
GLSD1036	36 $\frac{7}{32}$ " / 920mm
GLSD1038	38 $\frac{3}{16}$ " / 970mm

See Figure 1 for details.

Remark:

This measurement is from the back corner in shower to the outside of glass

2. Remove pre-installed screws from pre-assembled Hinges (05).

Attach the Hinges (05) to Glass door (01). The smooth flat surface of Hinge (05) should be installed on outside of glass door. See Figure 2 for details.

**NOTE:**

Never set your glass down directly onto a tile or concrete floor.

Always use a piece of wood or cardboard and leave the corner pads on the glass until it becomes necessary to remove them to protect the bottom edge and the corners of the glass from breakage.

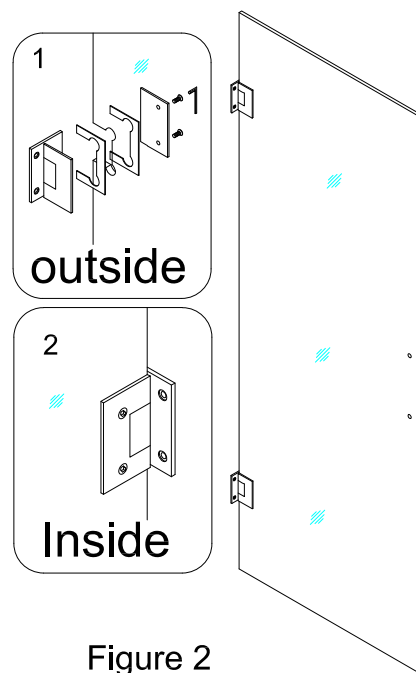


Figure 2

3. Repeat the other side.

See Figure 4 for details.

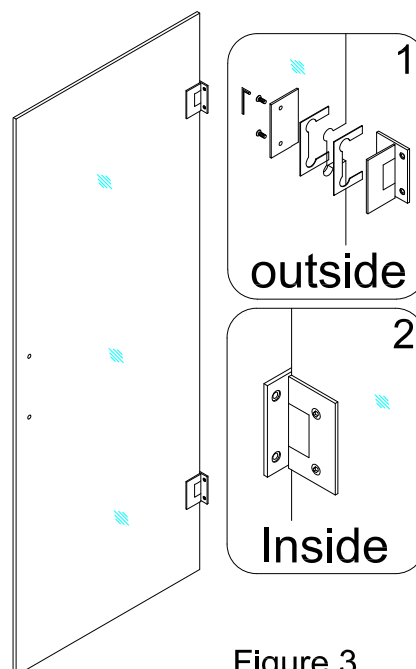


Figure 3

3. Place a piece of flat timber (1/2" thick) on the threshold or shower base. Remove the corner pads from the glass door (01). Place the Glass door (01) on the flat timber and carefully position the hinged side of shower door against shower wall aligning the outside edge of Glass door (01) with marked dimensions from earlier step. Check with level the plumb of Shower door (01) and mark the drill hole locations of shower hinges.

NOTE:  
check with level and be sure the door is plumb and level. (add to drawing the level also checking the top surface of door and edge of door)

See Figure 3 for details.

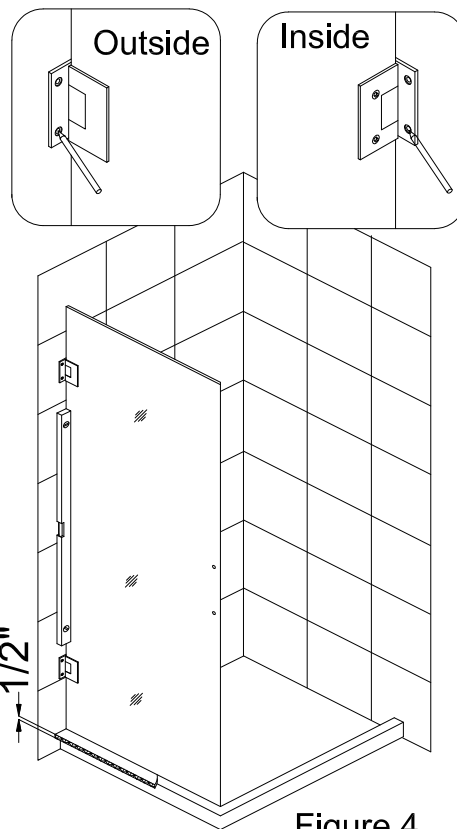


Figure 4

4. Repeat the other side.

See Figure 4 for details.

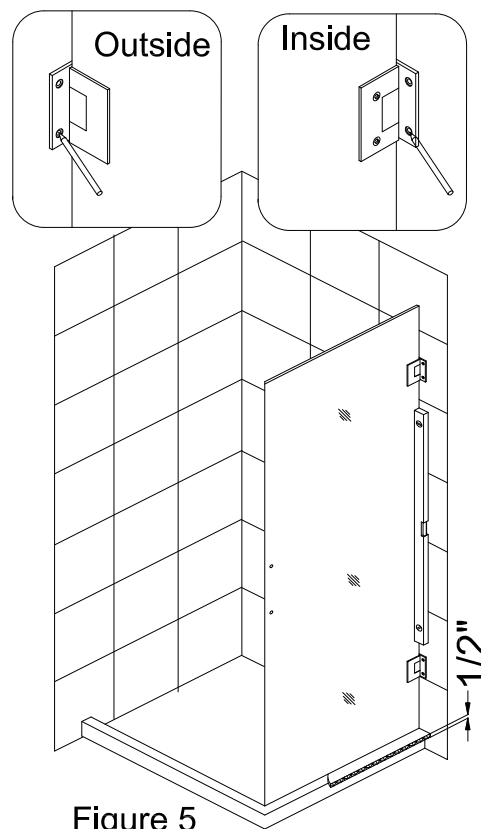


Figure 5

6. Install the Handle (02) to the Glass Door (01) using the hardware provided.

See Figure 6.

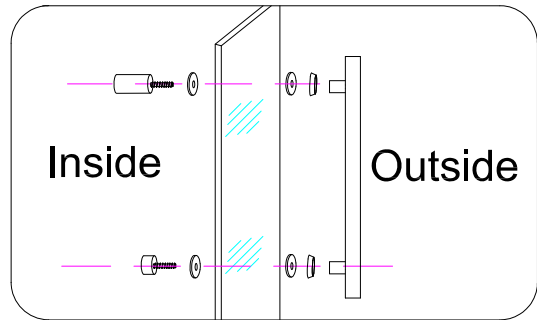


Figure 6

7. Press the Magnetic strips (08) onto the vertical edge of the Glass Door (01).

See Figure 7 for details.

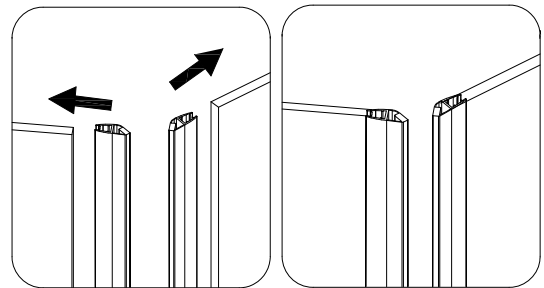


Figure 7

4. Set the doors aside and drill the holes in the wall using  $\text{Ø } \frac{5}{16}$ " drill bit.

If your surface is prone to cracking or chipping then it is recommended that you pilot drill first using a smaller drill bit, and then step up to the final size.

Install the wall anchors (03) into the drilled holes.

Position the Glass door (01) back on the flat timber and attach both hinges to the wall using M5X60 screws (04).

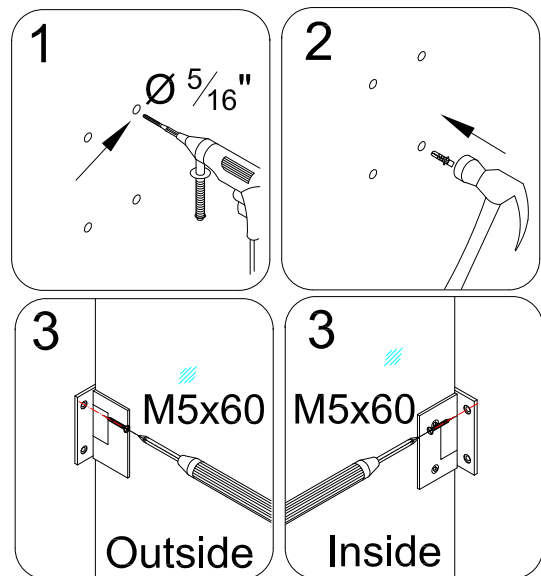


Figure 8

Note: Smooth flat surface of Hinges (05) should be installed on outside of glass door.

See Figure 8 for details.

Remark:

This door is extremely heavy and the hinges on this door must be attached to the studs or to preinstalled 2X6 wood reinforcement behind the wall.

14. Measuring with tape measure mark the side strip seal at  $8 \frac{1}{16}$ " ,  $48 \frac{3}{8}$ " and  $8 \frac{1}{2}$ ".

Carefully cut the seal at the appropriate marks, then install the individual seals on the appropriate sections of glass door:

- from the top edge of glass door to upper body of the top hinge:  $8 \frac{1}{16}$ "
- from the lower body of upper hinge to the upper body of the bottom hinge:  $48 \frac{3}{8}$ "
- from the lower body of bottom hinge to  $\frac{1}{16}$ " above the shower base:  $8 \frac{1}{2}$ "

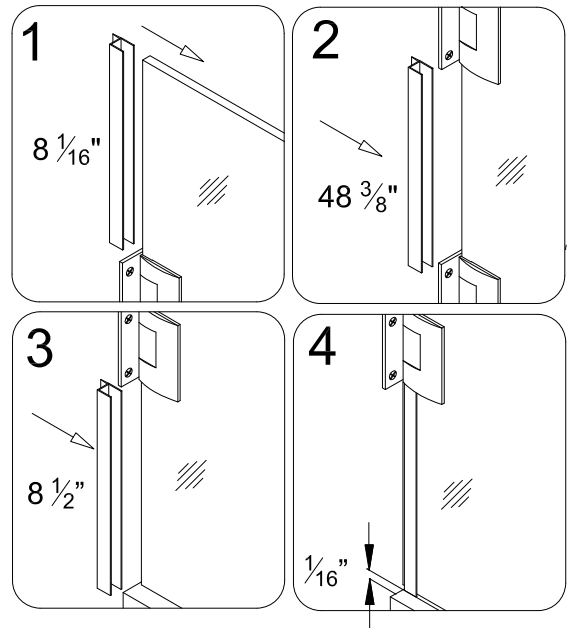


Figure 9

Remove the timber plate, fully open the glass door and press the cut strips on the vertical edge of the glass door.

See Figure 9 for details.

15. Measure the bottom of the Glass door (01) from the Side strip (06) to the vertical edge of Magnetic strip (09).

Cut the Bottom anti-water strip (07) to the size of your measurement and press onto the bottom edge of glass door.

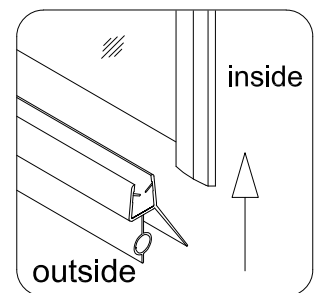


Figure 10

See Figure 10 for details.

# Care and Maintenance

As with any other luxury item, maintenance and care are critical to the long lasting quality and enjoyment of your shower door and tray. The proper care and maintenance outlined in this section are necessary to ensure the longevity of the unit. Damage caused by not following the care and maintenance guidelines in this section is not covered under the manufacturer's warranty.

The glass doors and panels can be cleaned using any commercially available glass cleaner.

We recommend that you clean the glass daily and squeegee the glass with a silicone or rubber squeegee after each use to help prevent water spots.

# Warranty

**PLEASE READ THESE WARRANTY TERMS AND CONDITIONS CAREFULLY BEFORE USING YOUR ASTON GLOBAL BATHROOM PRODUCT. BY USING THE PRODUCT, YOU ARE CONSENTING TO BE BOUND BY THE FOLLOWING WARRANTY TERMS AND CONDITIONS.**

## **SHOWER DOOR/SHOWER TRAY**

### **Aston Global Inc. Parts-Only Limited Warranty 5 years**

Aston Global, Inc. ("Aston Global") warrants to the original retail purchaser ("Owner") of any Shower Door/Tray product ("Product"), at the original installation site, for a period of Five (5) years from date of purchase (whether directly from Aston Global or an authorized reseller) that the Product manufactured by Aston Global is free from manufacturing defects in materials and workmanship, when used under normal conditions and when such Product has not been modified or changed in any manner after leaving Aston Global's warehouse or plant. If any Product manufactured by Aston Global is found to have manufacturing defects in materials or workmanship, such Product will be repaired or replaced by Aston Global. This warranty applies only against defects discovered within the warranty period and extends only to the original purchaser of the Product. Parts repaired or replaced under the terms of this Warranty will be warranted for the remainder of the original warranty period only.

Proof of purchase is required to exercise this Warranty. Aston Global may, at its option, examine and inspect the alleged defective Product, and Aston Global may request that parts be returned to Aston Global at Owner's expense for factory inspection. The determination as to whether Product shall be replaced, or in the alternative, repaired, shall be made solely by Aston Global. If a Product is determined to be covered by the above Warranty, Aston Global will ship the replacement part(s) to Customer by either ground shipping or US postal service. Increased costs for expedited delivery, if requested by Customer, are the responsibility of Customer. Parts not currently in stock may require up to a 6 week delivery time after placement of order.

**The above warranty is subject to the following conditions: (1) the Product must be installed in a single family dwelling unit where the original purchaser of the Product resides; and (2) the Product must be maintained as described in the owner's manual supplied with the Product.**

**For glass and acrylic panels, the customer must (a) open and inspect the Product upon delivery (without releasing the delivery driver until visual verification that the Product arrived in a good and acceptable condition); and (b) clearly notate damage on the delivery acknowledgment receipt. Failure to do so, and any damage discovered to glass or acrylic panel after delivery, will be repaired or replaced at the sole discretion of Aston Global.**

**THIS WARRANTY DOES NOT COVER:**

1. Product installed in buildings other than single family dwelling units.
2. Product installed outdoors or any other non-standard bathroom location.
3. Component parts not manufactured by Aston Global.
4. Workmanship of any installer of Aston Global Product. This warranty does not assume any liability of any nature for unsatisfactory performance caused by improper installation, or any damages to property resulting from improper installation or use of the Products, including but not limited to flooring, subfloor, tile, walls, sheet rock, concrete board, paint, plumbing fixtures and ceilings.
5. Labor costs incurred in the removal, disassembly, reassembly, or installation of the Product(s), including replacement Products issued under the Warranty, or costs for transportation to Aston Global, and any other materials necessary to return Product to Aston Global.
6. Any Product that has been damaged as a result of being improperly serviced or operated, including, but not limited to, the following: operated with insufficient water; allowed to freeze; subjected to flood conditions; operated with water conditions or additives which cause unusual deposits or corrosion in or on the Product, or subject to any other abuse or negligence.
7. Any Product that has been damaged as a result of natural disasters, including, but not limited to, lightning, fire, earthquake, hurricanes, tornadoes or floods.
8. Product used for any purpose other than residential bathroom usage.

**LEGAL DISCLAIMERS**

ALL IMPLIED WARRANTIES, INCLUDING WARRANTIES OF MERCHANTABILITY AND FITNESS FOR A PARTICULAR PURPOSE, ARE HEREBY DISCLAIMED IN THEIR ENTIRETY WITH RESPECT TO ALL PURCHASERS OR OWNERS. FAILURE TO RETURN THE WARRANTY CARD SHALL HAVE NO EFFECT ON THE DISCLAIMER OF THESE IMPLIED WARRANTIES. ALL EXPRESS WARRANTIES SHALL BE LIMITED TO THE DURATION OF THIS EXPRESS LIMITED WARRANTY AND EXCLUDE ANY LIABILITY FOR CONSEQUENTIAL OR INCIDENTAL DAMAGES RESULTING FROM THE BREACH OF ANY EXPRESS WARRANTY. Some states do not allow the exclusion or limitation of incidental or consequential damages, so the above limitations or exclusions may not apply. No dealer, distributor, service company or other party is authorized to change, modify or extend the terms of this warranty in any manner whatsoever.

Aston Global and its representatives shall not be liable for any injury, loss, cost or other damages, whether incidental or consequential, arising out of any defect covered by this Warranty including and without limitation, loss of use of the Product and cost for removal of defective Product, even if Aston Global has been advised of the possibility of such damage. The liability of Aston Global under this Warranty, if any, shall not exceed the original amount paid for the Product covered by the Warranty. Coverage under this Warranty shall commence as of the original date of purchase and the duration of such coverage shall not extend for any reason whatsoever beyond the stated time period. The

Customer is required to provide adequate access the Product for any repair or inspection. Aston Global shall not be liable for expenses or damage which may include but are limited to water damage, removal of any and all common building product such as tile, flooring, wood, sheet rock, plumbing fixtures, concrete board, vanities, bathtubs and toilets or any other custom items.

THIS WARRANTY GIVES YOU SPECIFIC LEGAL RIGHTS AND YOU MAY HAVE OTHER RIGHTS WHICH VARY FROM STATE TO STATE. ASTON GLOBAL'S FAILURE TO ENFORCE ANY TERMS OR CONDITIONS STATED HEREIN SHALL NOT BE CONSTRUED TO BE A WAIVER OF SUCH PROVISION.

For prompt service, notify the original installer who, in turn, will notify the Aston Global distributor who supplied the Product. If this does not result in prompt service, contact Aston Global, Inc. at the address below with details in support of the warranty claim. For any questions about coverage of this Warranty, contact Aston Global at the address below.

**Aston Global offers free phone support for the life of the Product to the original Owner.**

**The Warranty applies only to Products manufactured on or after January 1, 2012.**

**This Warranty may not be combined with any other warranty offered by Aston Global.**



**Customer Service  
877-424-9699**

**Aston Global Inc  
10480 Brockwood Rd  
Dallas, TX 75238**

**If further assistance is needed, or you  
have a question, please visit our web  
site at:  
[www.astonbath.com](http://www.astonbath.com)**