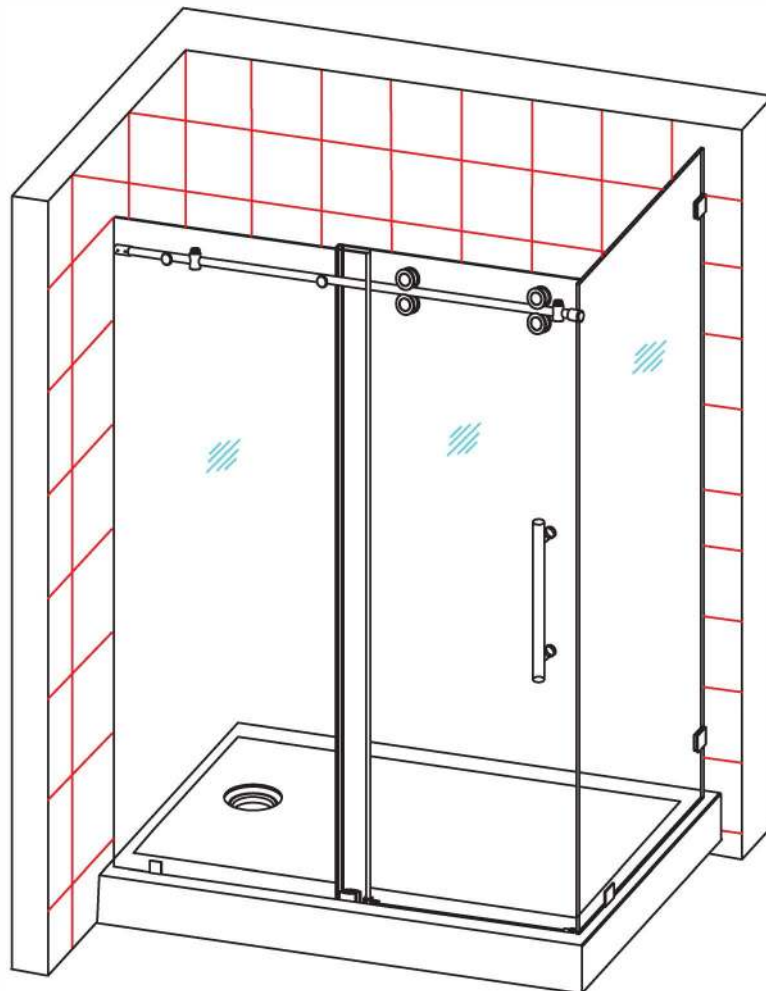




## INSTALLATION AND OWNER'S MANUAL



### **LANGHAM (SEN979)**

### **Shower Enclosure with Tray: SEN979.01-48x35-L**

Please carefully read these instructions before you begin to install the products.

05/16 Rev E

P/N: SEN979.01-48X35-L

# Before you start

Thank you for purchasing your Aston shower door. We hope that it will provide you with years of satisfying use and enjoyment.

Please read this manual carefully because it contains information and instructions about the proper installation of the unit. If you do not follow certain conditions of installation and maintenance, your warranty may be affected.

1. Inspect boxes for shipping damage. If the product has been damaged, is missing parts, or has a finishing defect, please contact our customer support department within 5 business days of delivery date.
2. NOTE: You should consult your local building codes with questions on installation compliance standards. Plumbing and building codes vary by location.
3. Before installation, inspect installation surfaces or level and have to the strength to support the heavy weight of this shower door assembly. This Shower Door should only be installed using the connection point to the studs or to pre-installed 2x6 wood reinforcements behind the wall.
4. This Shower Doors assembly is very heavy and requires professional installation.

Aston Shower door's feature:

- Tempered Safety Glass
- High quality hardware

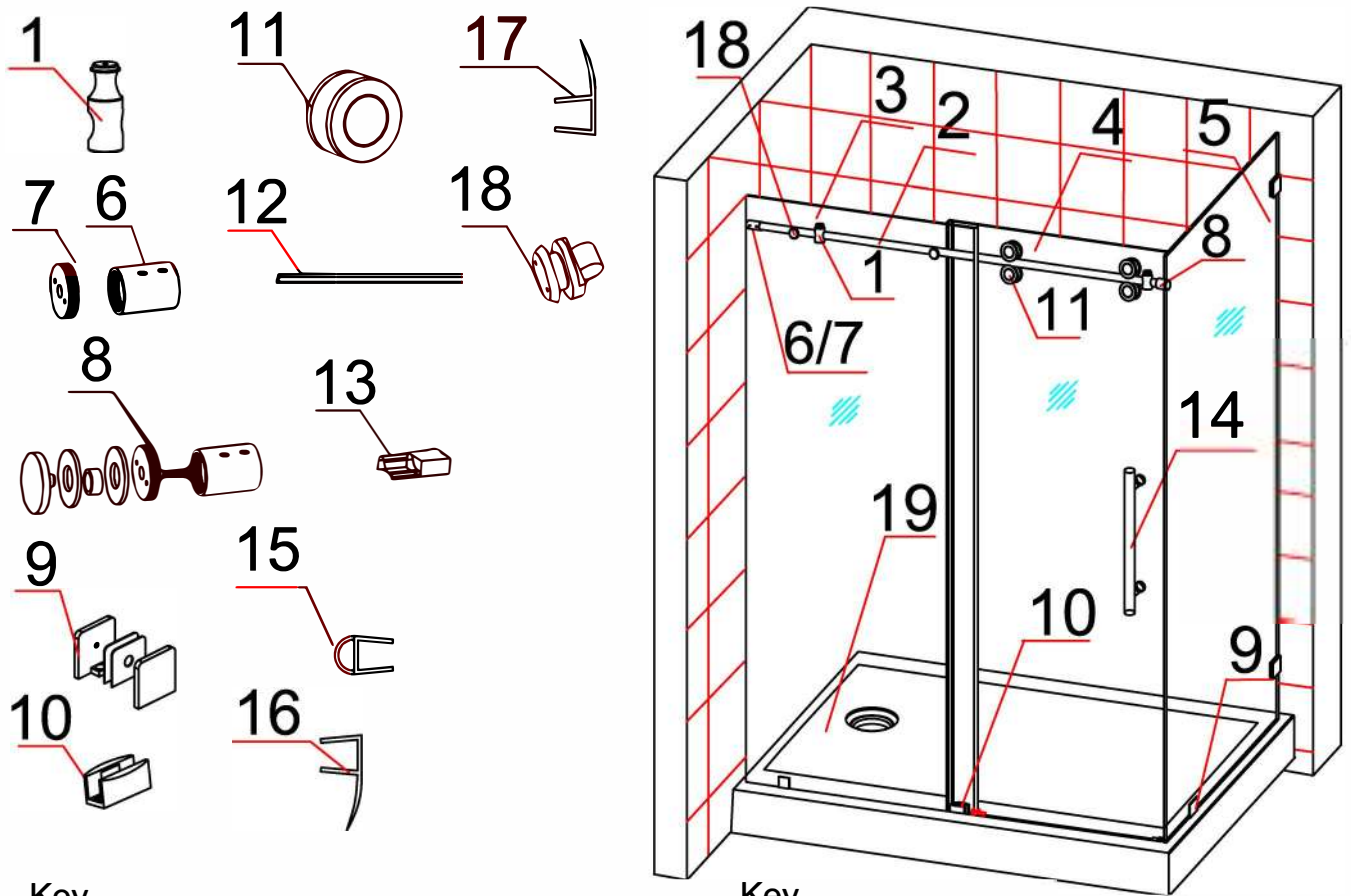
**WARNING: The Aston Shower door is designed to be used with tiled walls. If you are using a pre-made Acrylic/ABS/FRP shower stall that will be thicker than average plus tile, then you must consider the offset of the pre-made panel thickness. If applicable, the shower tray has 1/4" of tolerance for the oversized wall thickness.**

**Certifications:**

All Aston Shower doors are 3rd party tested to meet the following US, Canadian and International Standards:

- CPSC 16 CFR1201 II / ANSI Z97.1 - 2009 Class A
- CSA B45 Series - 02



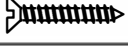

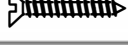




# Detailed Diagram of Shower Door Components



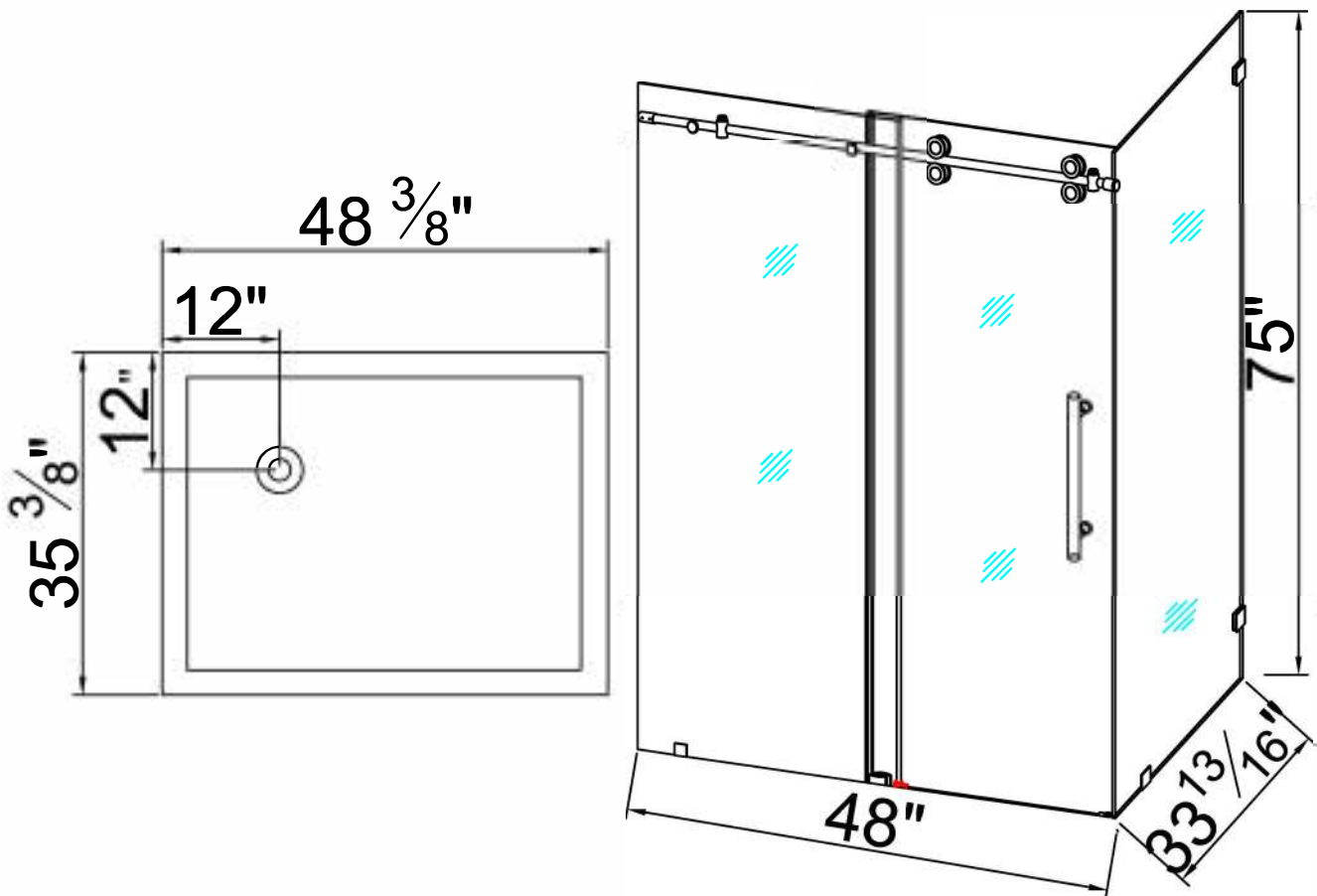
Key Number	Description	QTY	Key Number	Description	QTY
1	Door Stopper	2	13	Door Threshold End Cap	2
2	Top Rail	1	14	Door Handle	1
3	Fixed Glass	1	15	Door Seal	1
4	Sliding Door	1	16	Door Seal	1
5	Return Glass Panel	1	17	Door Seal	1
6	Rail End	1	18	Fixed Glass Bolt Assembly	2
7	Wall Mount	1	19	Shower Tray	1
8	Rail Mount Assembly	1	20	Screw Pack 1	1
9	Glass Clamp	4	21	Screw Pack 2	1
10	Sliding Door Track Divider	1	22	Screw Pack 3	1
11	Roller Assembly	4	23	Screw Pack 4	1
12	Door Threshold	1			

**PLEASE NOTE:** During unpacking carefully inspect all parts and use the exploded view drawing to identify all parts in the parts listing. Before discarding the packaging check for any parts or small hardware bags that may have been overlooked.

# SUPPLIED HARDWARE

SCREW PACK (1)	M4x40		3
	Anchor		3
SCREW PACK (2)	M4x40		1
	Anchor		2
	M5x40		1
SCREW PACK (3)	M4x40		2
	Anchor		2
SCREW PACK (4)	M4x40		2
	Anchor		2

# SUPPLIED PARTS

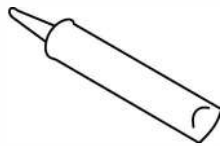


# Installation Guide

Please read and follow the installation instructions and guidelines in this section. Failure to follow the recommended instructions and installation techniques may lead to possible damage to the unit or the surrounding area. This can affect warranty claims.

**ATTENTION:** This unit requires assembly. A minimum of two people are required for assembly, as several of the sections can be large and unstable until assembled.

**You will need the following tools:**



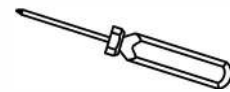
**Caulk**



**Tape Measure**



**Pencil**



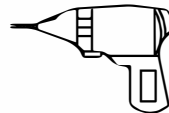
**Phillips Screwdriver**



**Caulk Gun**



**Level**



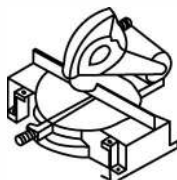
**Electric Drill**



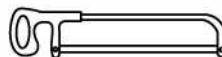
**Drill bit ( $\text{Ø}1/8''$  &  $5/16''$ )**



**Hammer**



**Miter saw or Hacksaw**

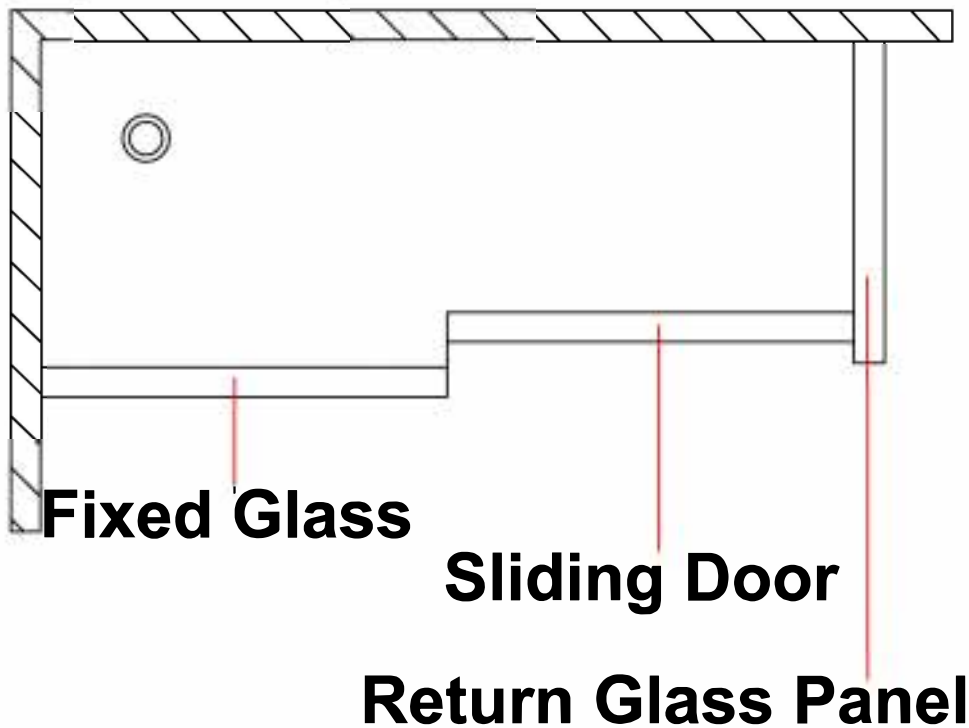


Locate the accessory box and remove the individual screw and hardware packages. Lay them out in sequential order to aid in completing the rest of the installation.

# Left-Handed Shower Tray Installation

Note: This shower door is not reversible when in use with the shower tray. The left-handed shower tray requires the door to open from right to left and cannot be reversed.

Note the location of the fixed glass panel, and sliding door for the left-handed shower tray installation.



**Fixed Glass**



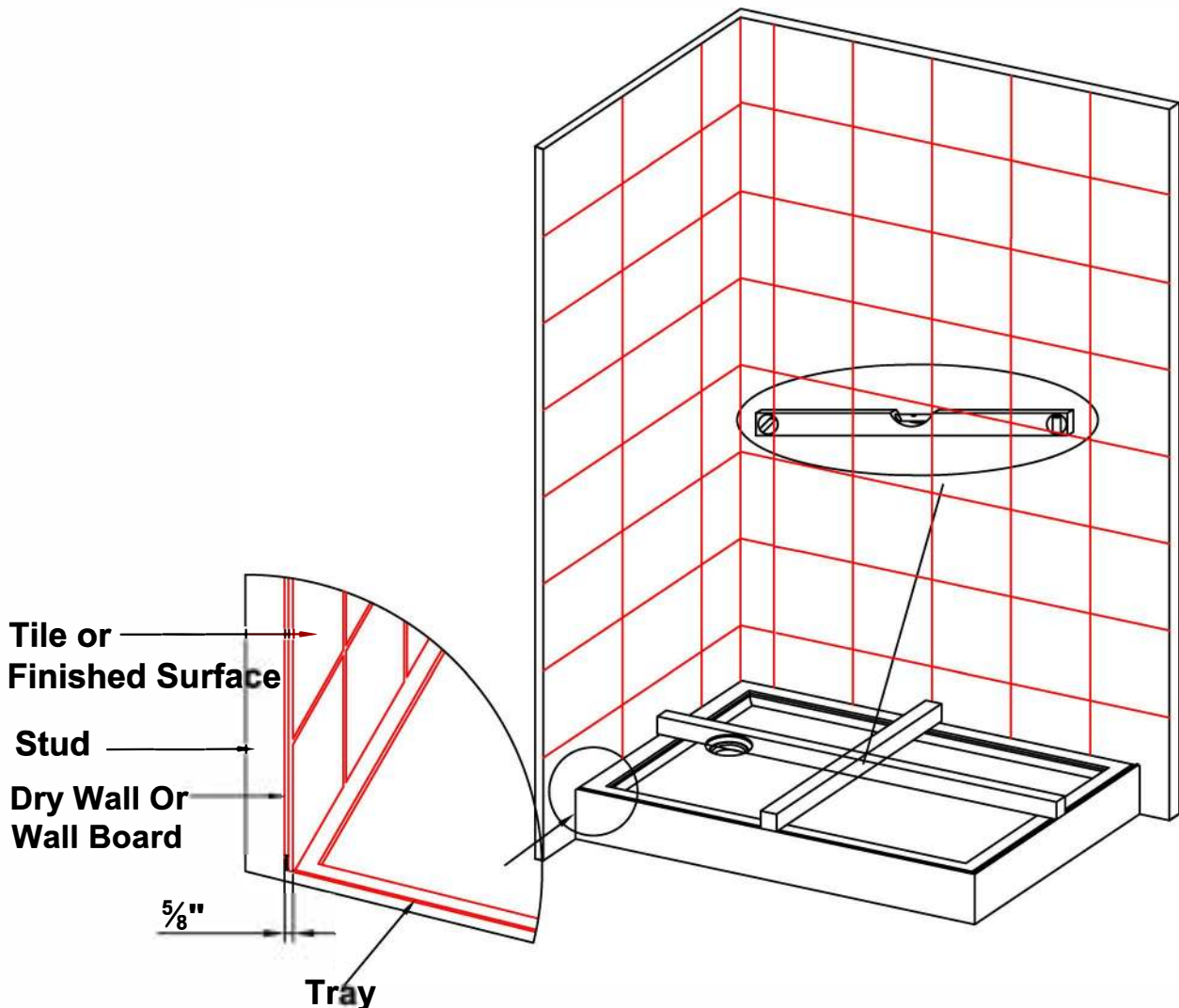
**Sliding Door**



**Return Glass Panel**

If your project requires the door to open from the opposite direction, you will need to purchase the right-handed shower tray (drain located on the right side of the tray).

# Preparation of base for installation of shower tray



**WARNING: THE Aston shower door and tray are designed to be used with tile walls. If you are using a pre-made Acrylic/ABS/FRP shower stall that will be thicker than average wall board plus tile then you must consider the offset of the pre-made panel. The shower tray has 1/4" of tolerance for over sized wall thickness.**

The shower tray needs to sit on a flat level base for proper support. Ensure that the area for the shower tray is properly prepared for installation.

Using the drawing provided, place the floor drain in the proper location so that the shower tray drain and the floor drain are in line after final installation.

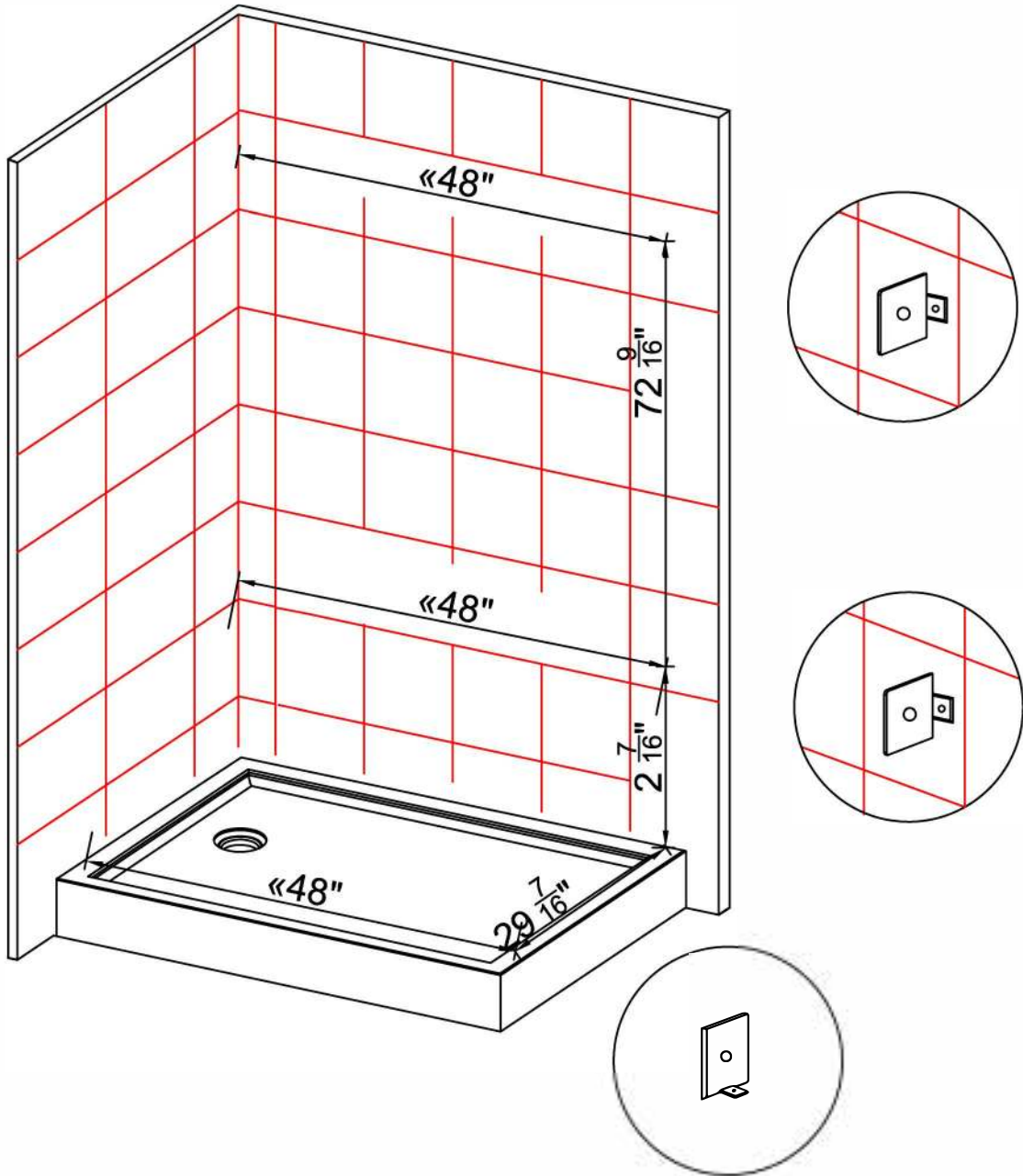
Place the shower tray in the final installation position line up the drain holes and check for level. If not level make adjustments to the floor at this time.

This can be accomplished by leveling the subfloor by use of Shims, Leveling compound or placing the shower tray into a mortar base

The shower tray must be installed so that the tile lip is against the wall studs. It is recommended that the tray is attached to the studs using screws.

**IMPORTANT: If you are using screws to secure the tray to the studs it is recommended that you pilot drill the screw location as to prevent the acrylic tray from chipping or cracking.**

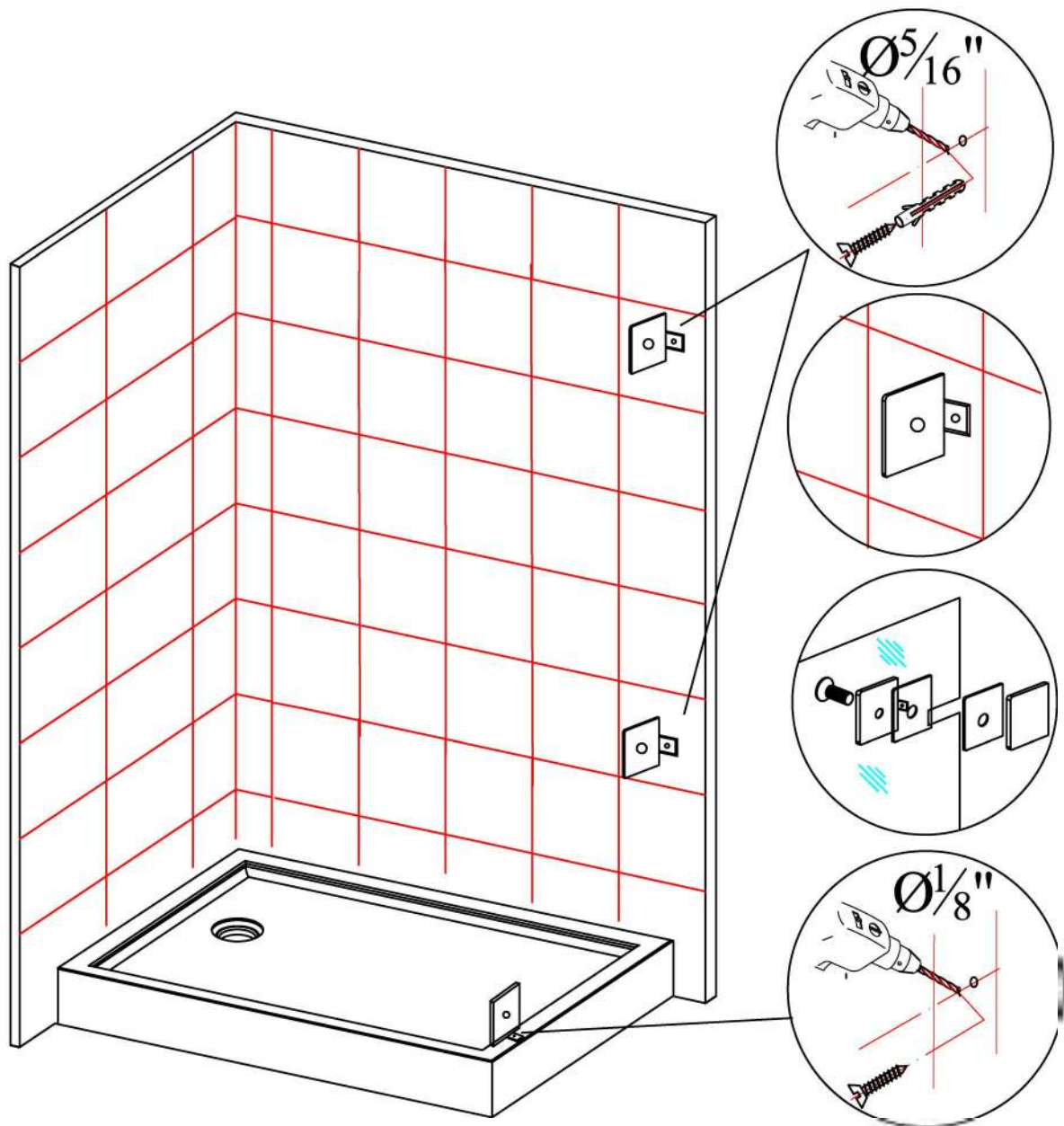
# Measure the distance



Install all of the wall material or materials you intend to use before installing the glass clamps and return glass panel, this includes all moisture resistant wall board or rock board, tile, stone or other wall covering.

Refer to the drawing above and measure and mark the shower wall and tray for drilling locations to attach glass clamps.

# Installation of return glass panel and glass clamps

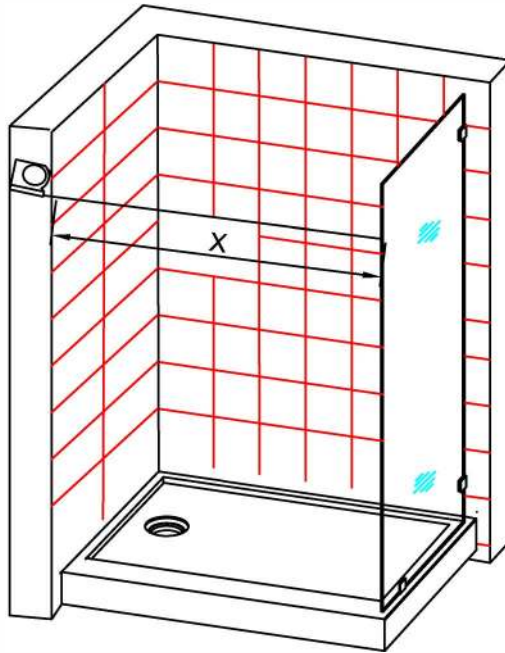


Using the appropriate drill bit for your wall surface drill each hole location with a 5/16" diameter drill bit. Install the plastic wall anchors provided into the drilled holes. Using the appropriate drill bit for your shower tray surface drill each hole location with a 1/8" diameter drill bit.

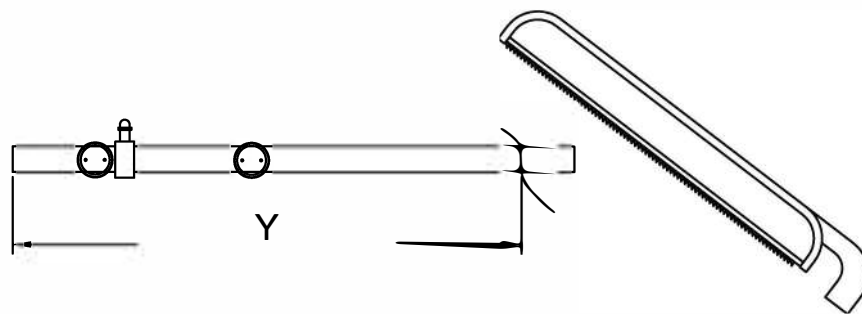
**NOTE:** If your surface is prone to cracking or chipping then it is recommended that you pilot drill first using a smaller drill bit, and then step up to the final size.

Using screw pack (1) attach the glass clamps (9) to walls and shower tray using M4x40 screws. Screw Pack 1. The glass clamps (9) should be positioned so that the single hole is facing toward the inside of shower. The glass clamps (9) should be positioned so that the single hole is facing toward the inside of shower.

# Sliding Door Installation



1. Measure the width of the shower opening at the top between the fixed glass and the wall. Note this is dimension "X".



2. The following equation is used to determine the length to be cut from the rail in order to fit the shower opening.

$$Y = X - 1/2"$$

3. Measure distance "Y" from the end of Top Rail (2) with pre-assembled hardware mark the top rail.

NOTE: Do not cut the end of top rail with pre-assembled hardware. Only cut the end of top rail opposite the pre-assembled hardware.

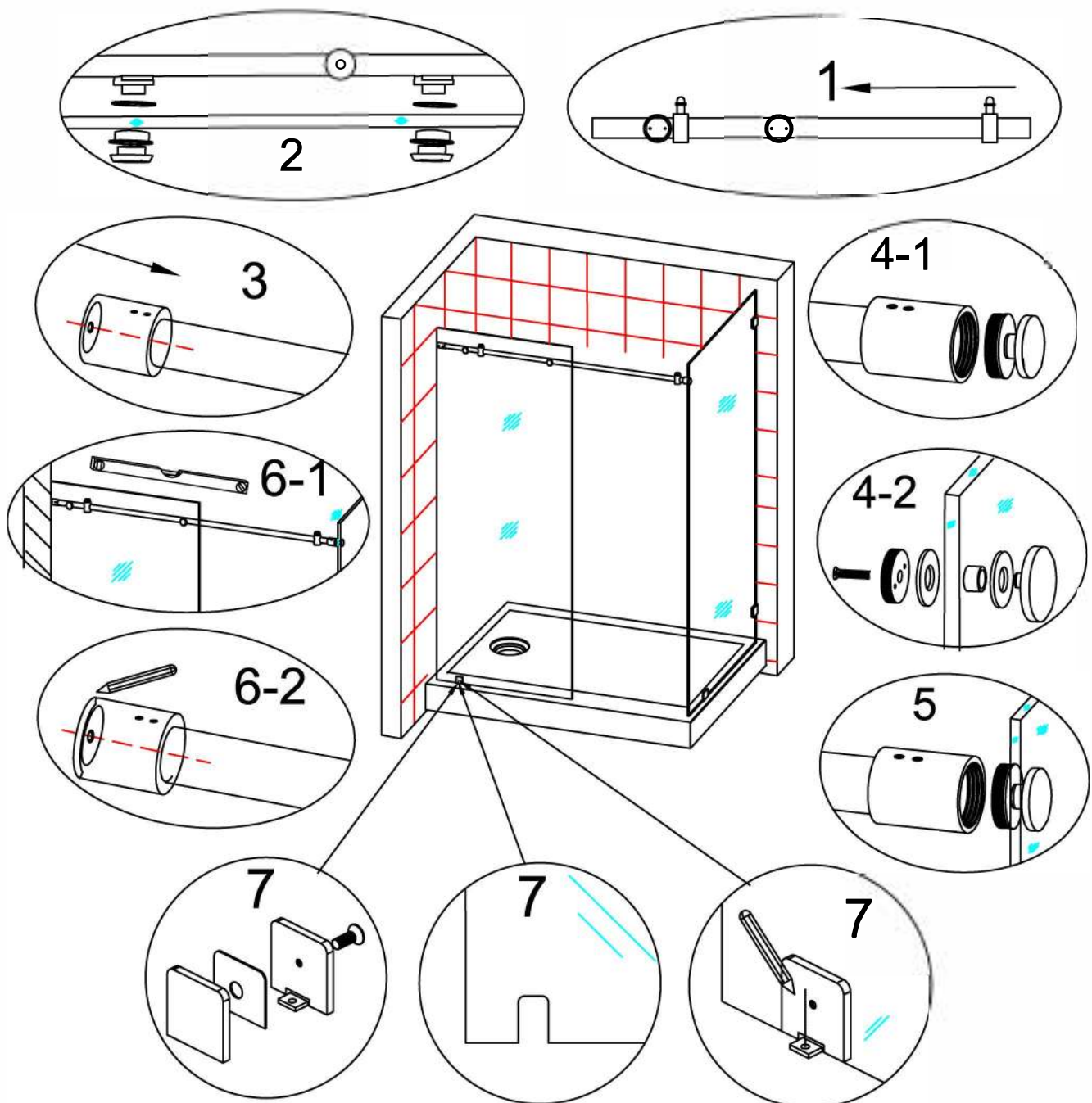
4. Using a hacksaw or jigsaw cut the Top Rail (2) at the mark. Carefully remove any burrs or sharp edges remaining on Top Rail (2) after the cutting.

# Mark the Top Rail Location

**ATTENTION:** A minimum of two people are required for the next assembly steps.

Pre-assembly the top rail (2) onto the fixed glass (3) to locate the mounting points on the wall to your desired location.

Painters tape or masking tape in the general location of the of the final installation will aid in marking the wall and floor.



1. Slide door stopper (1) onto end of top rail (2) See figure 1. The bumpers on door stopper (1) should be positioned on the top of top rail for final installation. Note: One door stopper comes pre-assembled on top rail between fixed glass bolt assembly. See figure 1.
2. Position the top rail (2) and fixed glass (3) as shown in figure 2 and connect fixed glass (3) to top rail (2) following the assembly sequence shown in figure 2. Note in figure 2, one door stopper (1) should be positioned between mounting holes in top rail (2) before connecting top rail to fixed glass.

**NOTE: TOP RAIL IS ATTACHED TO THE INSIDE OF FIXED GLASS.**

3. Slide the rail end assembly (6) onto end of top rail (2) to be connected shower wall. Loosely tighten the rail end assembly (6) into place on top rail (2) making sure the rail end assembly is fully engaged on top rail. See figure 3.
4. Locate the rail mount assembly (8) and remove the stainless steel fitting and glass connector parts from the metal sleeve. Loosen the set screws in metal sleeve and slide onto end of top rail (2) making sure the end of sleeve which is threaded is facing toward end of top rail. Loosely tighten set screws in metal sleeve to secure. See figure 4-1

Next assemble the stainless steel fitting and glass connector parts to top hole in return glass panel (5), following the assembly sequence shown in 4-2. The stainless steel fitting should be positioned to the inside of return glass panel (5) when complete.

5. Position the top rail / fixed glass assembly into place in your shower. Loosen the set screws in rail mount (8) next to glass panel (5). Next connect rail mount (8) to stainless steel fitting by threading rail mount and stainless steel fitting together and tighten into place. Tighten set screws in rail mount to secure to top rail (2). See figure 5.

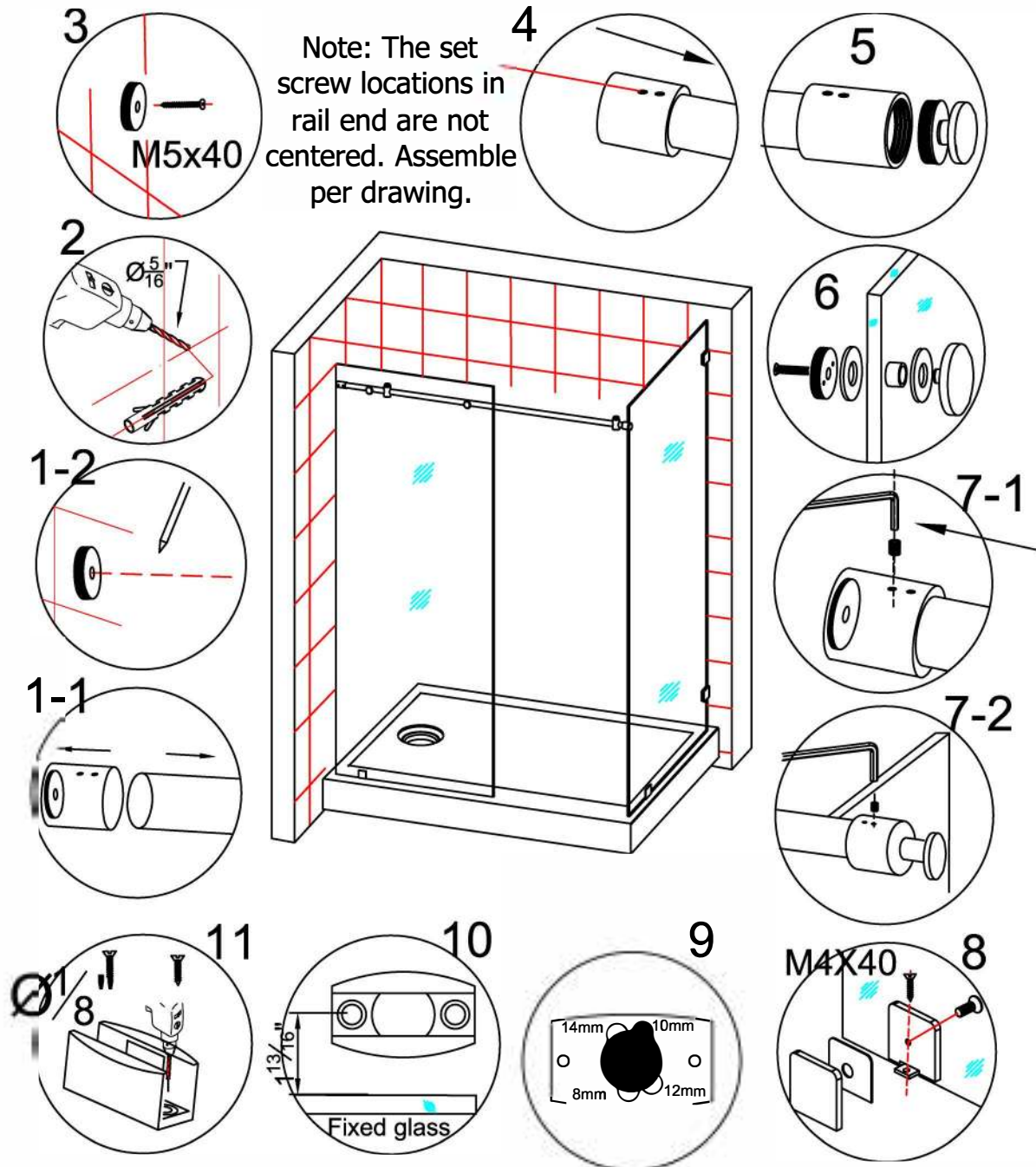
**NOTE: THE TOP RAIL ATTACHED TO FIXED GLASS SHOULD BE POSITIONED TO INSIDE OF SHOWER.**

6. Using a level, verify the top rail (2) is horizontal and the fixed glass (3) is plumb, mark the rail end (6) location on wall. See figure 6-2
7. Remove pre-installed screw from pre-assembled glass clamp (9). Position the side of the glass clamp (9) with shower base mounting hole on the shower base and align with large hole opening on bottom of fixed glass (3). Mark the mounting hole of glass clamp (9) at this position. See figure 7

**NOTE: If your surface is prone to cracking or chipping then it is recommended that you pilot drill first using a smaller drill bit, and then step up to the final size.**

8. Using the appropriate drill bit for your tray surface drill hole locations with 1/8" diameter drill bit.

# Installation Top Rail



1. Loosen set screws in rail end (6) and remove from top rail (2). See figure 1-1. Next remove wall mount (7) from rail end (6). Position wall mount (7) onto marked location on shower wall and mark pilot hole drilling location. See figure 1-2

**NOTE:** If your surface is prone to cracking or chipping then it is recommended that you pilot drill first using a smaller drill bit, and then step up to the final size.

2. Using the appropriate drill bit for your wall surface drill the hole location with a 5/16" diameter drill bit. Install the plastic anchors from screw pack 2 into the drilled hole. See figure 2.
3. Attach the wall mount (7) to shower wall using M5 x 40 screw from screw pack 2. See figure 3.
4. Position glass clamp (9) on shower tray and attach to shower tray using M4 x 40 screw from screw pack 2. The glass clamp should be positioned so the single hole is facing toward the inside of shower. See figure 8.
5. Slide rail end (6) onto top rail (2) and loosely tighten into place. Note: The set screws in rail end are not centered, and one end of rail end is threaded. The rail end (6) should be installed on top rail (2) so that threaded end of rail end (6) is facing outward. See figure 4.
6. Loosen set screws in rail mount receiver (8) and slide onto left end of top rail (2). See figure 5.

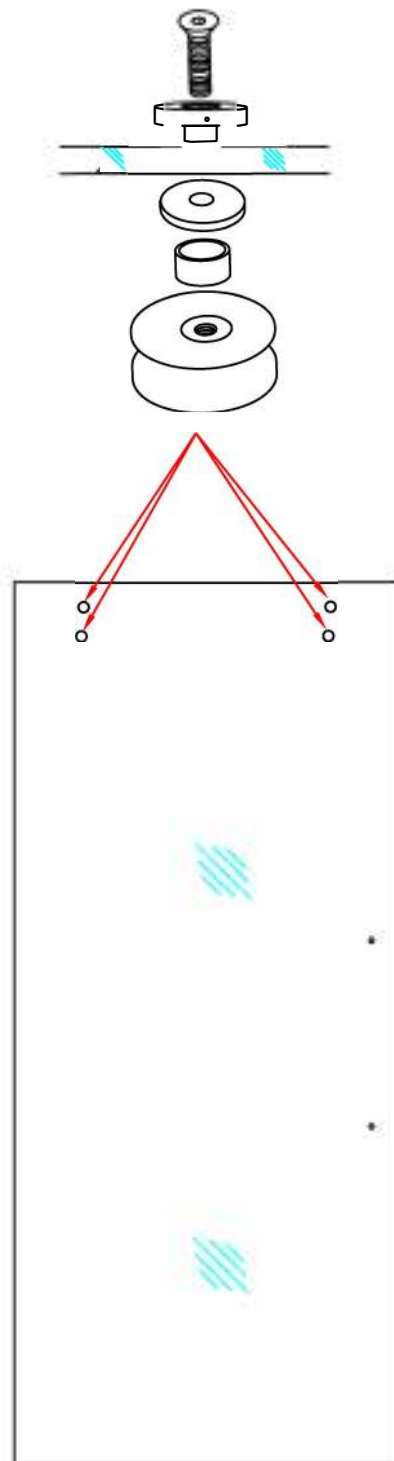
**ATTENTION:** A minimum of two people are required for the next assembly steps.

7. Position top rail / fixed glass assembly into place in your shower opening. Next align rail mount receiver (8) with brass fitting on inside of return glass panel (5), and secure by tightening the rail mount receiver to brass fitting. Tighten set screws in rail mount receiver (8) to secure to top rail (2) See figure 5 and 7-2.
8. Loosen set screws in rail end (6). Next slide rail end (6) on top rail (2) to align with wall mount (7). Thread rail end (6) onto wall mount (7) and securely tighten. Tighten set screws in rail end (6) to secure rail end to top rail (2). See figure 7-2.
9. Install glass clamp (9) to fixed glass (3). See figure 8 for details. Smooth flat surface of glass clamp (9) should be installed on outside of fixed glass (3).
10. Insure plastic sliding door glide is in place in underside of sliding door track divider (10) and positioned to proper location for 10mm glass thickness. See figure 9.
11. Position the sliding door track divider (10) into position as seen in figure 10 and mark the 2 shower base hole positions. **Note: In drawing 10 the hole locations for attaching sliding door track divider should be 1 13/16" from edge of fixed glass. See details in figure 10.**

**NOTE:** If your surface is prone to cracking or chipping then it is recommended that you pilot drill first using a smaller drill bit, and then step up to the final size.

12. Using the appropriate drill bit for your tray surface drill hole locations with 1/8" diameter drill bit. Position the sliding door track divider (10) over drilled holes on shower tray, and secure sliding door track divider (10) to shower tray using hardware in screw pack 3. See figure 11.

# Install Wheel Rollers onto the Door

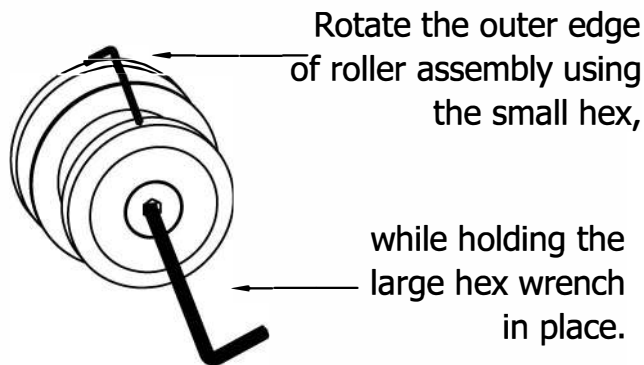


Assemble the roller assemblies (11) onto sliding door (4) as shown in figure.

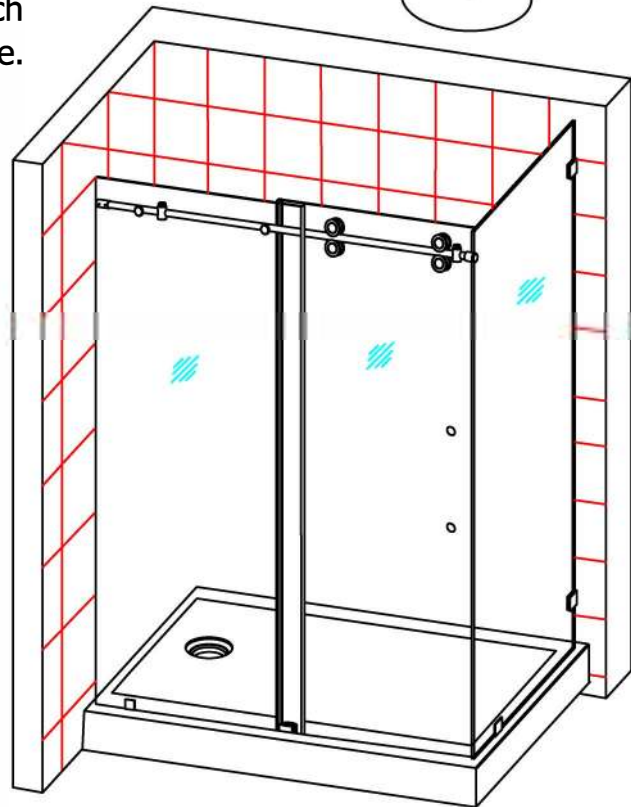
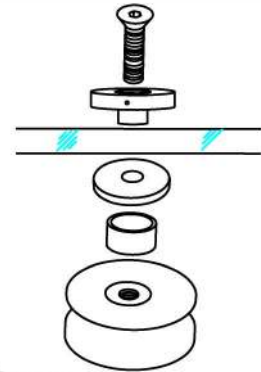
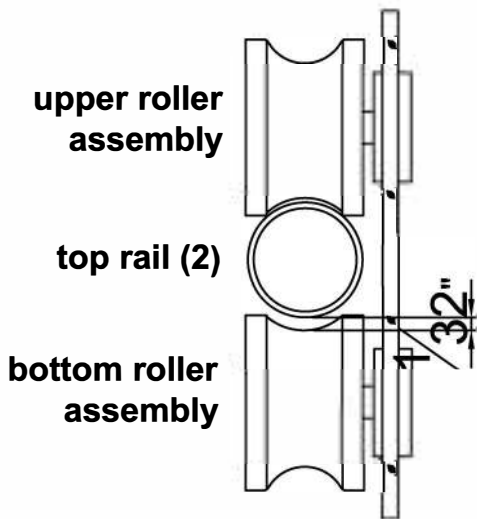
Note: The door handle mounting holes should be positioned to right. The roller assemblies (11) will be on the outside of sliding door (4). The sliding door should be to the inside of shower area.

# Hanging the Door

## ROLLER CAM ADJUSTMENT



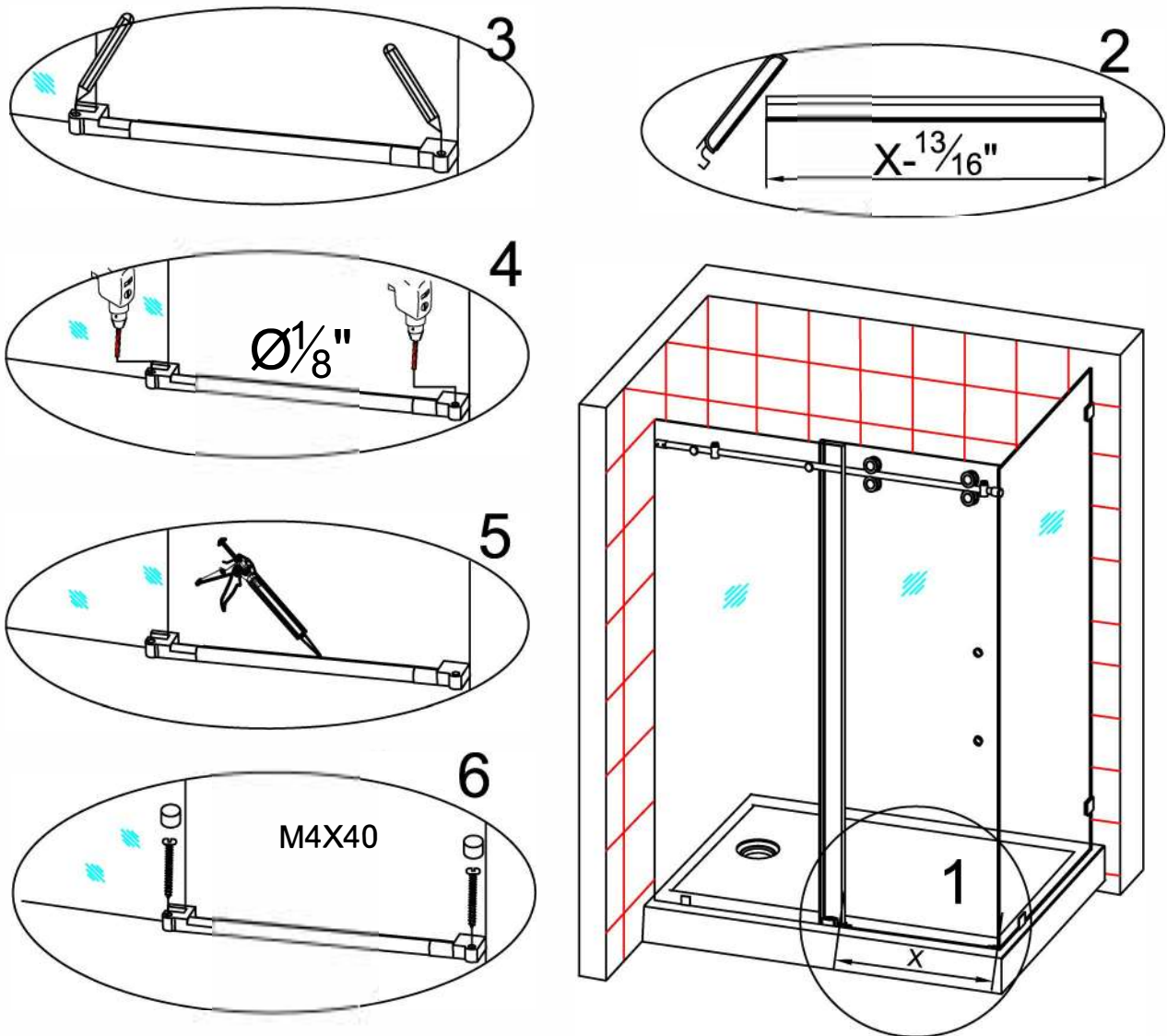
End View



Suspend the sliding door (4) on the top rail (2). Slide the bottom edge of sliding glass door (4) into the groove of the sliding door track divider (10). Adjust the upper roller assemblies (11) to insure the bottom edge of sliding glass door (4) does not touch the bottom sliding door track divider (10). See roller cam adjustment drawing for details. (The rollers for this unit have a built in cam adjustment to adjust the plumb of sliding door. Locate the small hole in outside edge of roller assembly and insert a small hex wrench into hole opening. Next using the hex wrench for roller assembly slightly loosen the roller wheel assembly. Now holding the hex wrench in place rotate the outer edge of roller assembly using the small hex wrench inserted into small hole opening in outer edge of roller assembly. This will move the roller cam to offset any minor adjustments for sliding door out of plumb. All 4 rollers on this unit can be adjusted as describe above).

Install the bottom roller assemblies (11) on the sliding door (4) to secure the sliding glass door (4) to top rail (2). Adjust the bottom roller assemblies (11) to a gap of 1/32". This gap is a starting gap, check that the sliding door rolls smoothly along the top rail. Make adjustments if needed.

# Install the Door Threshold



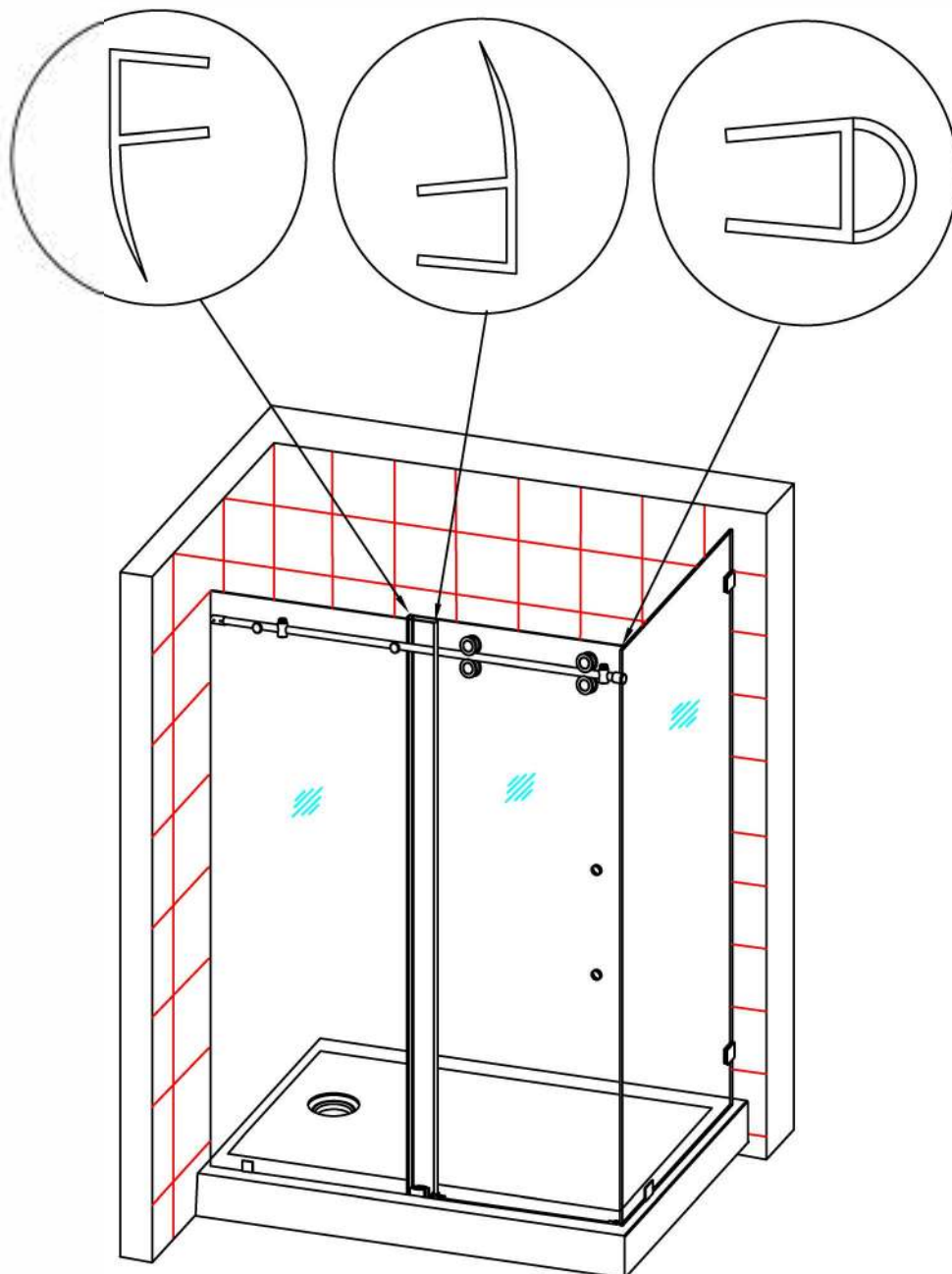
The Door Threshold is used to prevent water from seeping out while bathing. Install the threshold according to these instructions.

1. Measure the distance between the fixed glass (3) and the shower wall. See figure 1.
2. Using a hacksaw cut the threshold bar (12) to fit distance measured between the fixed glass and shower wall. Remove any sharp edges or burrs after cutting threshold bar (12). See figure 2
3. Position the threshold bar (12) to floor by aligning in door opening with fixed glass (3). Mark the threshold end cap (13) mounting hole locations. See figure 3

**NOTE: If your surface is prone to cracking or chipping then it is recommended that you pilot drill first using a smaller drill bit, and then step up to the final size.**

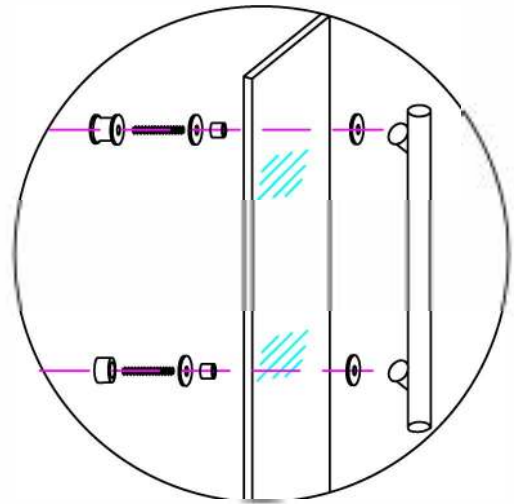
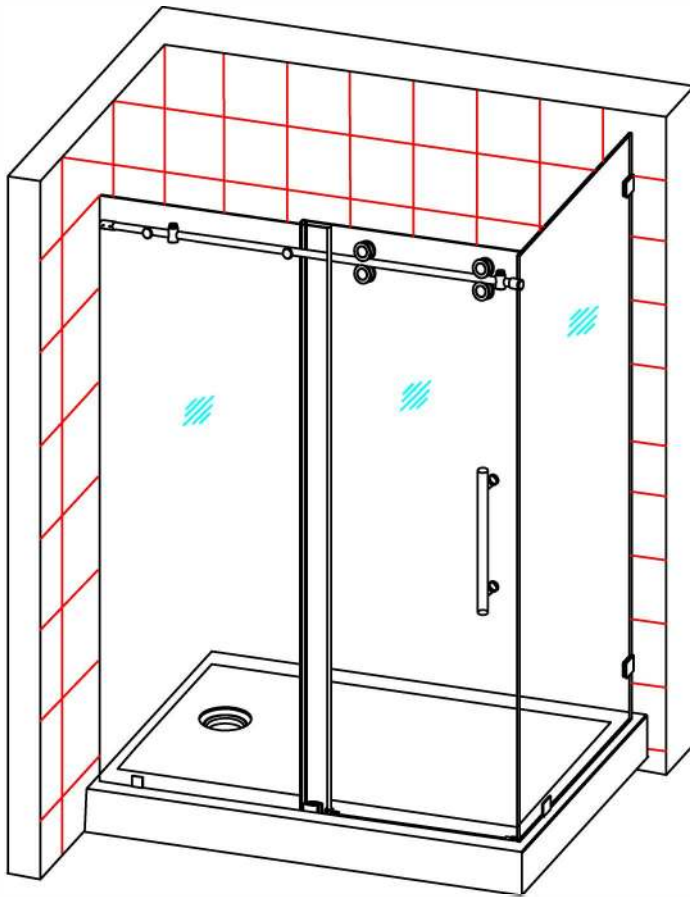
4. Using the appropriate drill bit for your floor surface drill the hole locations with a 1/8" diameter drill bit. Repeat for the other side. See figure 4
5. Add a small amount of silicone sealant to bottom of threshold bar assembly place into position. See figure 5
6. Using the hardware from screw pack 4 install the threshold bar assembly. Install the decorative screw plug covers into threshold end caps (12). See figure 6

# Installing the door seals



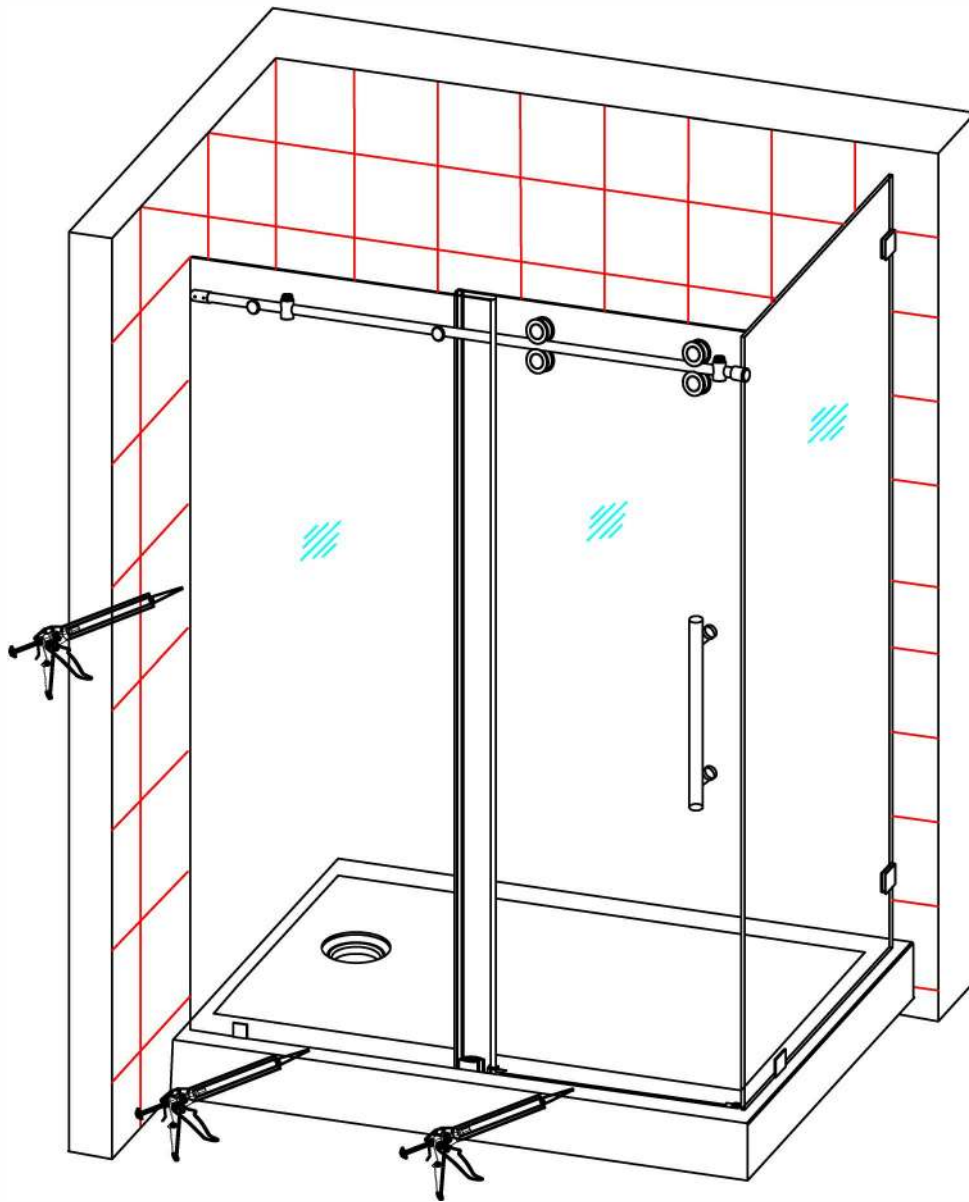
Install the door seals according to the drawing.

# Installing the door handle



Install the door handle (14) using hardware provided. Follow the assembly sequence seen in drawing.

# Final sealing



Using Bath & Kitchen silicone sealant, seal the fixed glass (3) and returned glass panel (5) along bottom edge on shower base, and side edge along shower wall. Next seal around sliding door track divider (10).

# Care and Maintenance

As with any other luxury item, maintenance and care are critical to the long lasting quality and enjoyment of your shower door and tray. The proper care and maintenance outlined in this section are necessary to ensure the longevity of the unit. Damage caused by not following the care and maintenance guidelines in this section is not covered under the manufacturer's warranty.

The glass doors and panels can be cleaned using any commercially available glass cleaner.

We recommend that you clean the glass daily and squeegee the glass with a silicone or rubber squeegee after each use to help prevent water spots.

# Warranty

**PLEASE READ THESE WARRANTY TERMS AND CONDITIONS CAREFULLY BEFORE USING YOUR ASTON GLOBAL BATHROOM PRODUCT. BY USING THE PRODUCT, YOU ARE CONSENTING TO BE BOUND BY THE FOLLOWING WARRANTY TERMS AND CONDITIONS.**

## **SHOWER DOOR/SHOWER TRAY**

**Aston Global Inc. Parts-Only Limited Warranty 5 years.**

**Warranty for any part in oil rubbed bronze finish is limited to two (2) years.**

Aston Global, Inc. ("Aston Global") warrants to the original retail purchaser ("Owner") of any Shower Door/Tray product ("Product"), at the original installation site, for a period of Five (5) years from date of purchase (whether directly from Aston Global or an authorized reseller) that the Product manufactured by Aston Global is free from manufacturing defects in materials and workmanship, when used under normal conditions and when such Product has not been modified or changed in any manner after leaving Aston Global's warehouse or plant. If any Product manufactured by Aston Global is found to have manufacturing defects in materials or workmanship, such Product will be repaired or replaced by Aston Global. This warranty applies only against defects discovered within the warranty period and extends only to the original purchaser of the Product. Parts repaired or replaced under the terms of this Warranty will be warranted for the remainder of the original warranty period only.

Proof of purchase is required to exercise this Warranty. Aston Global may, at its option, examine and inspect the alleged defective Product, and Aston Global may request that parts be returned to Aston Global at Owner's expense for factory inspection. The determination as to whether Product shall be replaced, or in the alternative, repaired, shall be made solely by Aston Global. If a Product is determined to be covered by the above Warranty, Aston Global will ship the replacement part(s) to Customer by either ground shipping or US postal service. Increased costs for expedited delivery, if requested by Customer, are the responsibility of Customer. Parts not currently in stock may require up to a 6 week delivery time after placement of order.

**The above warranty is subject to the following conditions: (1) the Product must be installed in a single family dwelling unit where the original purchaser of the Product resides; and (2) the Product must be maintained as described in the owner's manual supplied with the Product.**

**For glass and acrylic panels, the customer must (a) open and inspect the Product upon delivery (without releasing the delivery driver until visual verification that the Product arrived in a good and acceptable condition); and (b) clearly notate damage on the delivery acknowledgment receipt. Failure to do so, and any damage discovered to glass or acrylic panel after delivery, will be repaired or replaced at the sole discretion of Aston Global.**

### **THIS WARRANTY DOES NOT COVER:**

1. Product installed in buildings other than single family dwelling units.
2. Product installed outdoors or any other non-standard bathroom location.
3. Component parts not manufactured by Aston Global.
4. Workmanship of any installer of Aston Global Product. This warranty does not assume any liability of any nature for unsatisfactory performance caused by improper installation, or any damages to property resulting from improper installation or use of the Products, including but not limited to flooring, subfloor, tile, walls, sheet rock, concrete board, paint, plumbing fixtures and ceilings.
5. Labor costs incurred in the removal, disassembly, reassembly, or installation of the Product(s), including replacement Products issued under the Warranty, or costs for transportation to Aston Global, and any other materials necessary to return Product to Aston Global.
6. Any Product that has been damaged as a result of being improperly serviced or operated, including, but not limited to, the following: operated with insufficient water; allowed to freeze; subjected to flood conditions; operated with water conditions or additives which cause unusual deposits or corrosion in or on the Product, or subject to any other abuse or negligence.
7. Any Product that has been damaged as a result of natural disasters, including, but not limited to, lightning, fire, earthquake, hurricanes, tornadoes or floods.
8. Product used for any purpose other than residential bathroom usage.

### **LEGAL DISCLAIMERS**

ALL IMPLIED WARRANTIES, INCLUDING WARRANTIES OF MERCHANTABILITY AND FITNESS FOR A PARTICULAR PURPOSE, ARE HEREBY DISCLAIMED IN THEIR ENTIRETY WITH RESPECT TO ALL PURCHASERS OR OWNERS. FAILURE TO RETURN THE WARRANTY CARD SHALL HAVE NO EFFECT ON THE DISCLAIMER OF THESE IMPLIED WARRANTIES. ALL EXPRESS WARRANTIES SHALL BE LIMITED TO THE DURATION OF THIS EXPRESS LIMITED WARRANTY AND EXCLUDE ANY LIABILITY FOR CONSEQUENTIAL OR INCIDENTAL DAMAGES RESULTING FROM THE BREACH OF ANY EXPRESS WARRANTY. Some states do not allow the exclusion or limitation of incidental or consequential damages, so the above limitations or exclusions may not apply. No dealer, distributor, service company or other party is authorized to change, modify or extend the terms of this warranty in any manner whatsoever.

Aston Global and its representatives shall not be liable for any injury, loss, cost or other damages, whether incidental or consequential, arising out of any defect covered by this Warranty including and without limitation, loss of use of the Product and cost for removal of defective Product, even if Aston Global has been advised of the possibility of such damage. The liability of Aston Global under this Warranty, if any, shall not exceed the original amount paid for the Product covered by the Warranty. Coverage under this Warranty shall commence as of the original date of purchase and the duration of such coverage shall not extend for any reason whatsoever beyond the stated time period. The

Customer is required to provide adequate access the Product for any repair or inspection. Aston Global shall not be liable for expenses or damage which may include but are limited to water damage, removal of any and all common building product such as tile, flooring, wood, sheet rock, plumbing fixtures, concrete board, vanities, bathtubs and toilets or any other custom items.

**THIS WARRANTY GIVES YOU SPECIFIC LEGAL RIGHTS AND YOU MAY HAVE OTHER RIGHTS WHICH VARY FROM STATE TO STATE. ASTON GLOBAL'S FAILURE TO ENFORCE ANY TERMS OR CONDITIONS STATED HEREIN SHALL NOT BE CONSTRUED TO BE A WAIVER OF SUCH PROVISION.**

For prompt service, notify the original installer who, in turn, will notify the Aston Global distributor who supplied the Product. If this does not result in prompt service, contact Aston Global, Inc. at the address below with details in support of the warranty claim. For any questions about coverage of this Warranty, contact Aston Global at the address below.

**Aston Global offers free phone support for the life of the Product to the original Owner.**

**The Warranty applies only to Products manufactured on or after January 1, 2012.**

**This Warranty may not be combined with any other warranty offered by Aston Global.**







**Customer Service**  
**877-424-9699**

**If further assistance is required, you have a question or need additional product information, please visit our website:**

**[www.astonbath.com](http://www.astonbath.com)**