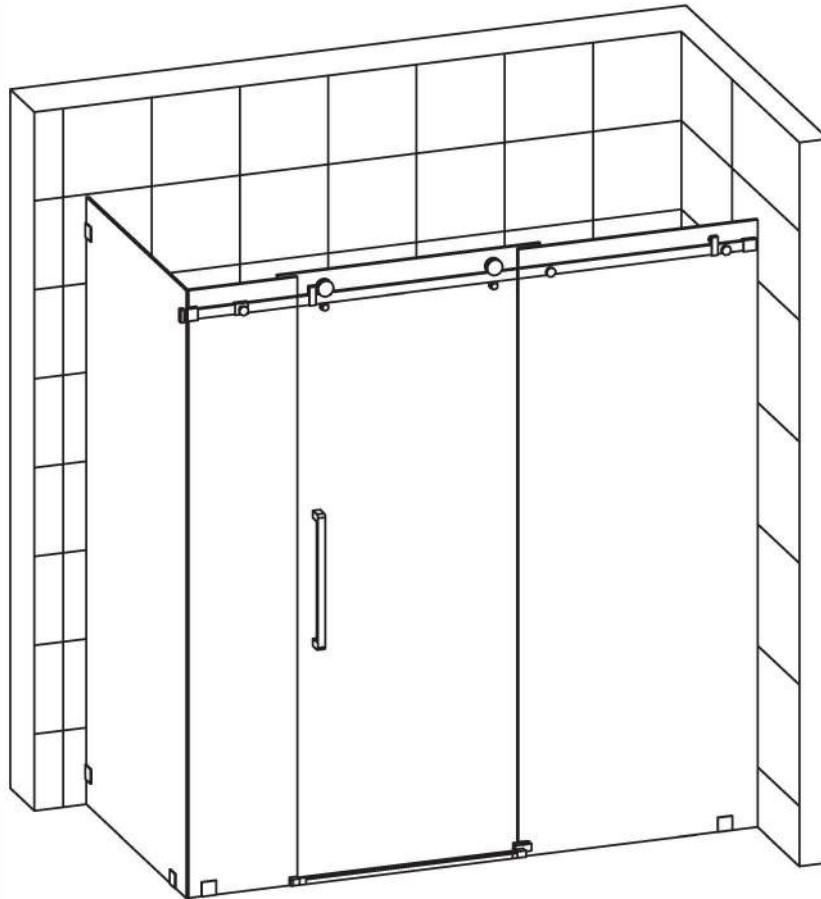




INSTALLATION AND OWNER'S MANUAL



MOSELLE (SEN976)

Shower Enclosure Model Number: SEN976.00-72"x35"x75"

Please carefully read these instructions before you begin to install the products.

06/16 Rev B

P/N:SEN976.00-72x35

Before you start

Thank you for purchasing your Aston shower door. We hope that it will provide you with years of satisfying use and enjoyment.

Please read this manual carefully because it contains information and instructions about the proper installation of the unit. If you do not follow certain conditions of installation and maintenance, your warranty may be affected.

1. Inspect boxes for shipping damage. If the product has been damaged, is missing parts, or has a finishing defect, please contact our customer support department within 5 business days of delivery date.
2. NOTE: You should consult your local building codes with questions on installation compliance standards. Plumbing and building codes vary by location.
3. Before installation, inspect installation surfaces or level and have to the strength to support the heavy weight of this shower door assembly. This Shower Door should only be installed using the connection point to the studs or to pre-installed 2x6 wood reinforcements behind the wall.
4. This Shower Doors assembly is very heavy and requires professional installation.

Aston Shower door's feature:

- Tempered Safety Glass
- High quality hardware

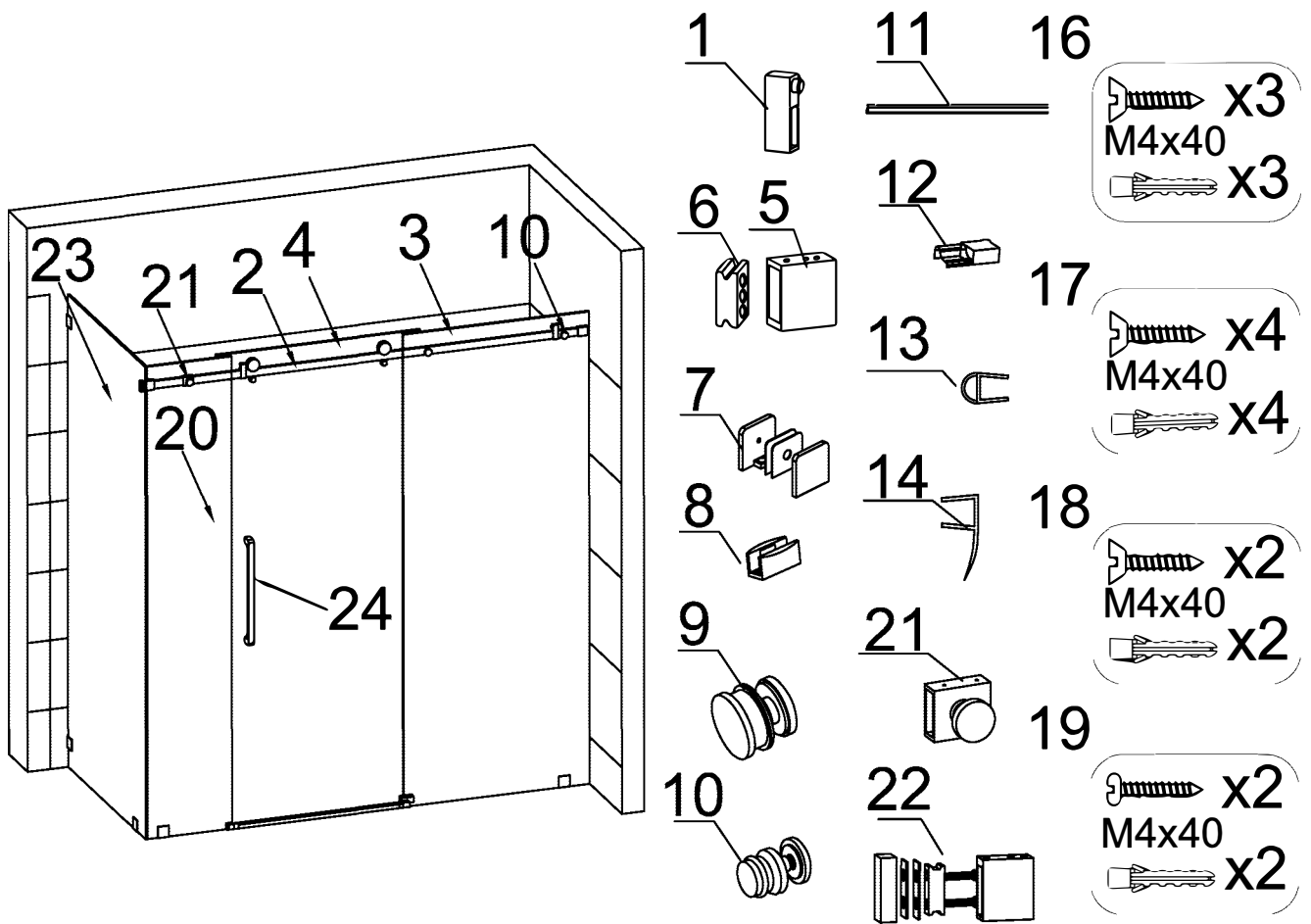
WARNING: The Aston Shower door is designed to be used with tiled walls. If you are using a pre-made Acrylic/ABS/FRP shower stall that will be thicker than average plus tile, then you must consider the offset of the pre-made panel thickness. If applicable, the shower tray has 1/4" of tolerance for the oversized wall thickness.

Certifications:

All Aston Shower doors are 3rd party tested to meet the following US, Canadian and International Standards:

- CPSC 16 CFR1201 II / ANSI Z97.1 - 2009 Class A
- CSA B45 Series - 02

Detailed Diagram of Shower Door Components



Key Number	Description	QTY	Key Number	Description	QTY
1	Door Stopper	2	13	Door Threshold End Cap	2
2	Top Rail	1	14	Bumper Strip	1
3	Large Fixed Glass	1	15	Anti-water Strip	3
4	Sliding Door	1	16	Screw Pack 1	1
5	Rail End	1	17	Screw Pack 2	1
6	Wall Mount	1	18	Screw Pack 3	1
7	Glass Clamp	5	19	Screw Pack 4	1
8	Sliding Door Track Divider	1	20	Small Fixed Glass	1
9	Upper Roller Assembly	2	21	Small Fixed Glass Bolt Assembly	1
10	Bottom Roller Guide Assembly	2	22	Rail Mount Assembly	1
11	Fixed Glass Bolt Assembly	2	23	Return Glass Panel	1
12	Door Threshold	1	24	Door Handle	1

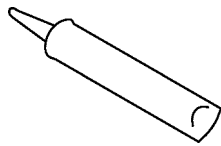
PLEASE NOTE: During unpacking carefully inspect all parts and use the exploded view drawing to identify all parts in the parts listing. Before discarding the packaging check for any parts or small hardware bags that may have been overlooked.

Installation Guide

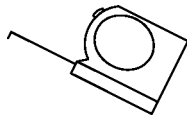
Please read and follow the installation instructions and guidelines in this section. Failure to follow the recommended instructions and installation techniques may lead to possible damage to the unit or the surrounding area. This can affect warranty claims.

ATTENTION: This unit requires assembly. A minimum of two people are required for assembly, as several of the sections can be large and unstable until assembled.

You will need the following tools:



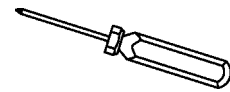
Caulk



Tape Measure



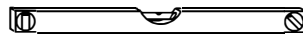
Pencil



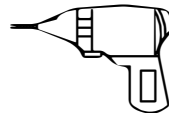
Phillips Screwdriver



Caulk Gun



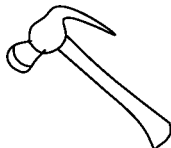
Level



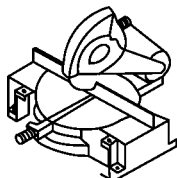
Electric Drill



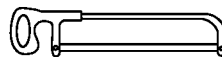
Drill bit (Ø $\frac{5}{16}$ ")



Hammer



Miter saw or Hacksaw

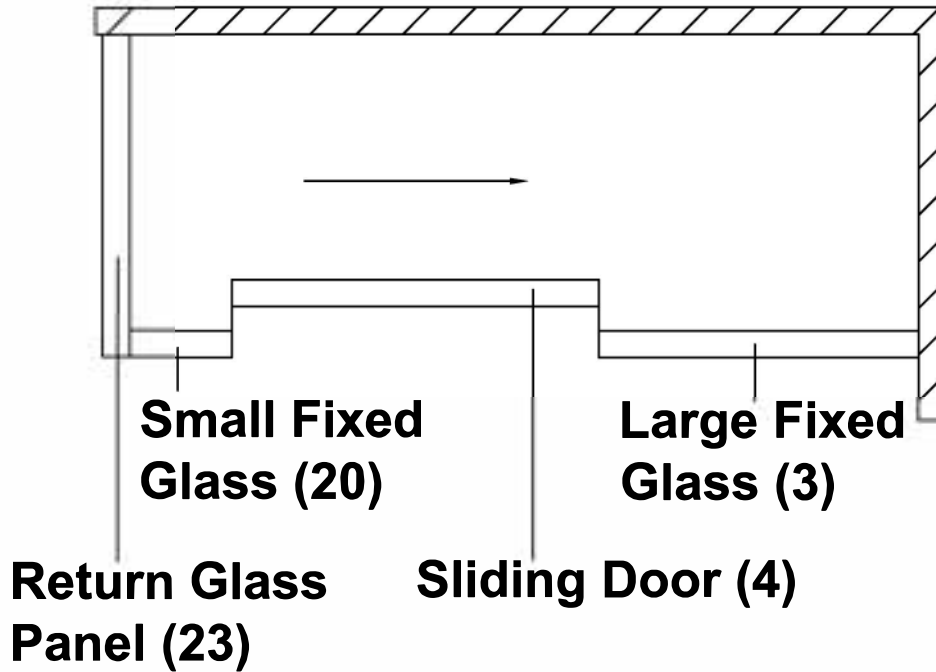


Locate the accessory box and remove the individual screw and hardware packages. Lay them out in sequential order to aid in completing the rest of the installation.

Reverse Door opening

This shower enclosure can be assembled so that the sliding door opens from Left to Right, or Right to Left. The drawings below illustrate the shower door opening from Left to Right.

Note the location of the fixed glass panel and return glass panel for the shower door opening from Left to Right.



Return Glass Panel (23)



Small Fixed Glass (20)



Sliding Door(4)



Large Fixed Glass(3)

If your project requires the door to open from the opposite direction, flip the top rail installation so that the Return Glass Panel (5) is on the right when installed.

Shower Door Installation

Install all of the wall material or materials you intend to use before installing the glass clamps and return glass panel, this includes all moisture resistant wall board or rock board, tile, stone or other wall covering.

ATTENTION: A minimum of two people are required for the next assembly steps.

1. Measure and mark the shower wall and floor for drilling locations to attach glass clamps.

See Fig.1 for details.

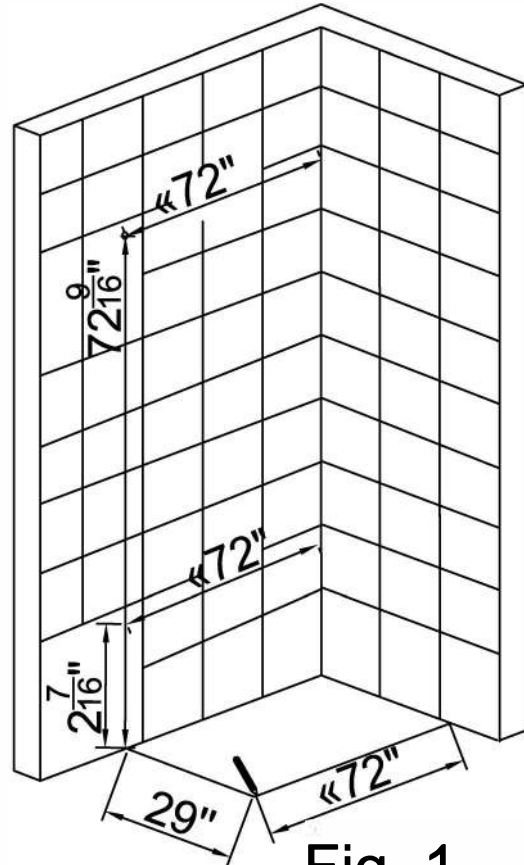


Fig. 1

2. Using the appropriate drill bit for your wall and floor surface drill each hole location with a $\frac{5}{16}$ " diameter drill bit. Install the plastic wall anchors provided into the drilled holes. See Fig.2 for details

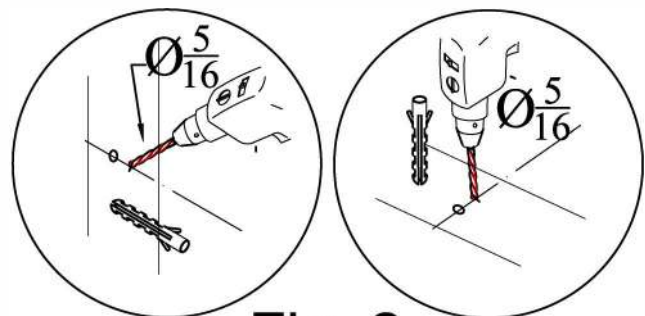


Fig. 2

NOTE: If your surface is prone to cracking or chipping then it is recommended that you pilot drill first using a smaller drill bit, and then step up to the final size.

3. Remove pre-installed screw from pre-assembled Glass Clamp (7).

Attach the Glass Clamps (7) to wall and shower floor using M4x40 screws in Screw Pack 1. The Glass Clamps (7) should be positioned so that the single hole is facing toward the inside of shower.

See Fig.3 for details.

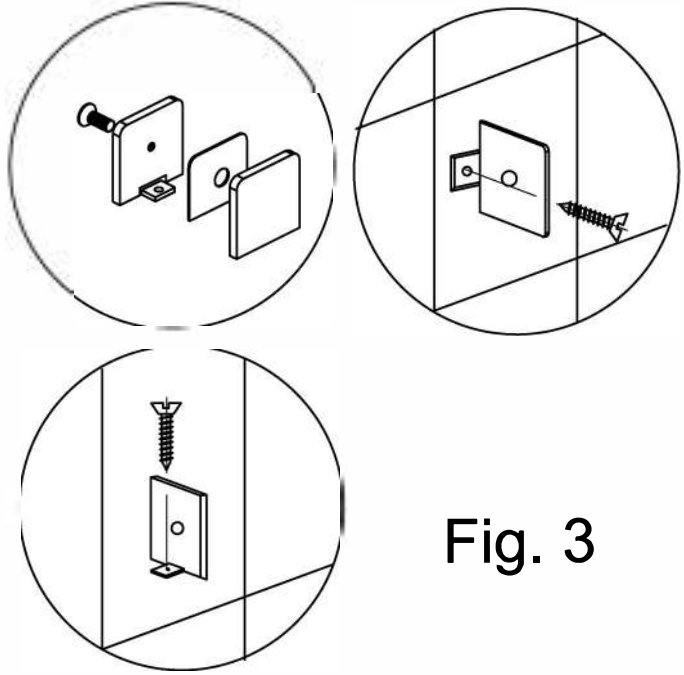


Fig. 3

4. Position the Return Glass Panel (23) into your shower.

Install the Glass Clamp (7) to Return Glass Panel (23) using hardware provided. Flat smooth surface of Glass Clamp (7) should be installed on outside of Return Glass Panel (23).

See Fig.4 for details.

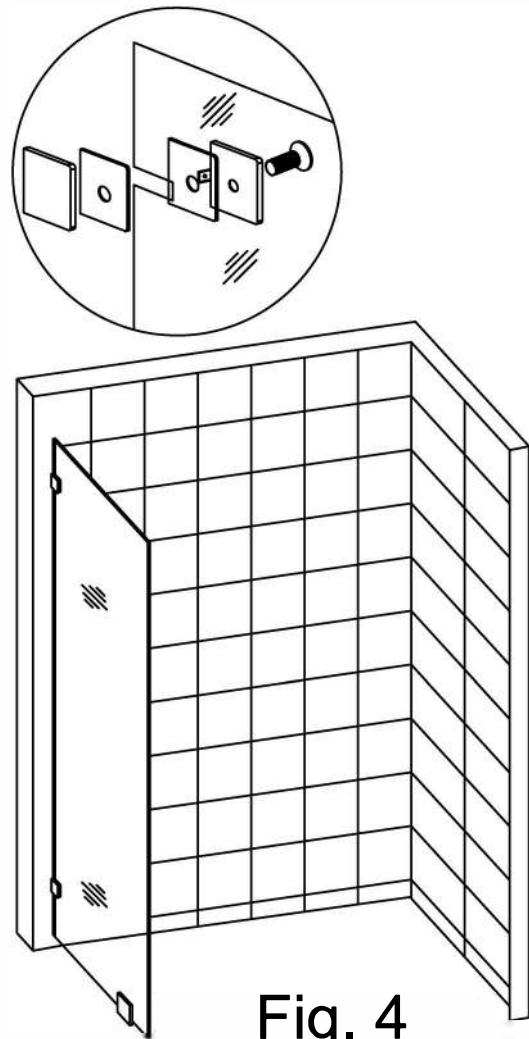


Fig. 4

5. Measure the width of the shower opening at the top between the fixed glass and the wall. Note this is dimension "X".

See Fig.5 for details.

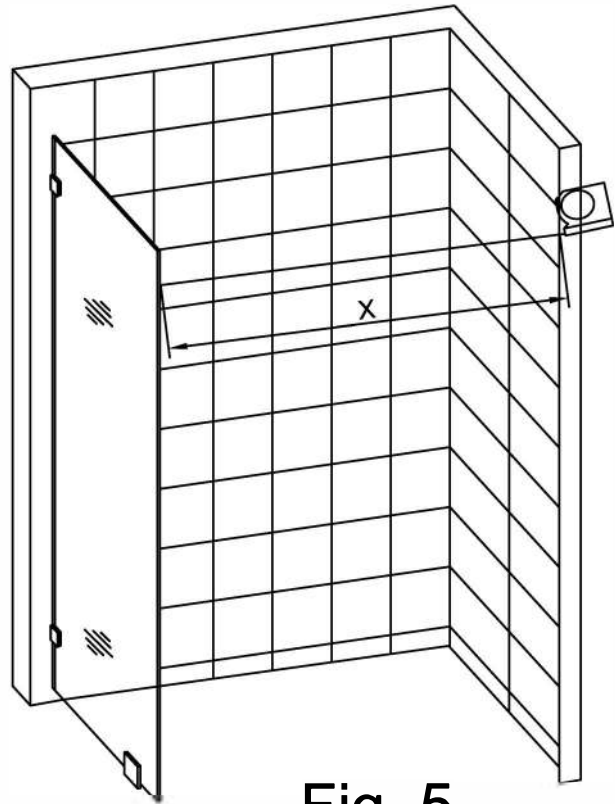


Fig. 5

6. The following equation is used to determine the length to be cut from the rail in order to fit the shower opening.

$$Y = X - 1"$$

Measure distance "Y" from the end of Top Rail (2) with pre-assembled hardware mark the top rail.

NOTE: Do not cut the end of top rail with pre-assembled hardware. Only cut the end of top rail opposite the pre-assembled hardware.

Using a hacksaw or jigsaw cut the Top Rail (2) at the mark. Carefully remove any burrs or sharp edges remaining on Top Rail (2) after the cutting.

See Fig.6 for details.

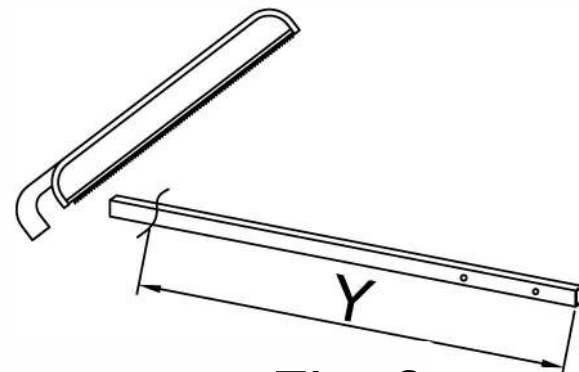


Fig. 6

- Slide Door Stopper (1) onto end of Top Rail (2). The bumpers on Door Stopper (1) should be face inward and be on top for final installation. Note: One door stopper comes pre-assembled on top rail between fixed glass bolt assembly. See Fig.7 for details.

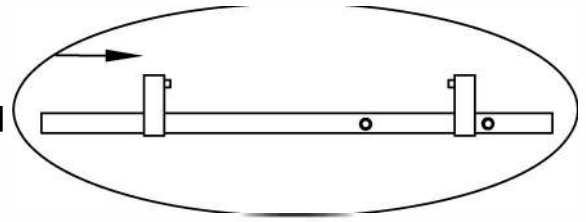


Fig. 7

- Slide the Small fixed Glass Bolt Assembly (21) onto end of Top Rail(2) opposite the Large Fixed Glass connection hardware. See Fig.8 for details.

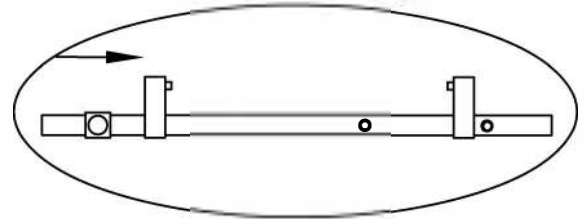


Fig. 8

- Position the Top Rail (2) and Large Fixed Glass (3) as shown in Fig.8 and connect Large Fixed Glass (3) to Top Rail (2) following the assembly sequence shown in Fig.8. Note in Fig.9, one Door Stopper (1) should be positioned between mounting holes in Top Rail (2) before connecting Top Rail to Large Fixed Glass.

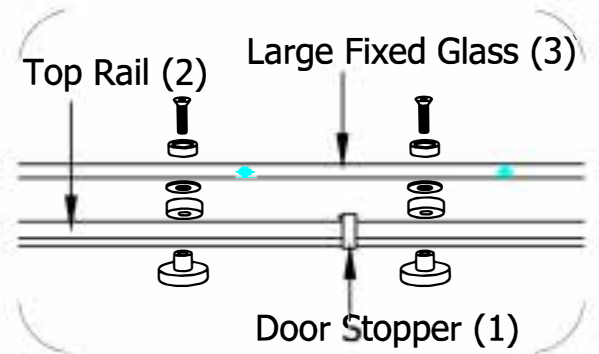


Fig. 9

NOTE: TOP RAIL IS ATTACHED TO THE INSIDE OF FIXED GLASS.

- Loosen set screws on Rail End Assembly (5) (6) and remove wall mount (6) from Rail End (5). Next slide the Rail End (5) on to end of Top Rail (2) to be connected shower wall. Loosely tighten the Rail End (5) into place on Top Rail (2). See Fig.10 for details.

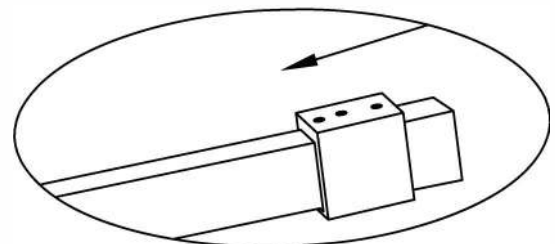


Fig. 10

- Locate the Rail Mount Assembly (22) and remove the stainless steel fitting and glass connector parts from the rail mount. Loosen the set screws in rail mount and slide onto end of Top Rail (2) making sure the end of rail mount which is with top and bottom set screws is facing toward end of Top Rail (2). Loosely tighten set screws in rail mount to secure. See Fig.11 for details

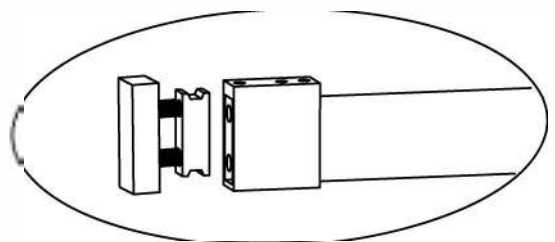


Fig. 11

12. Next assemble the stainless steel fitting and glass connector parts to top holes in Return Glass Panel (23). The stainless steel fitting should be positioned to the inside of Return Glass Panel (23) when complete. See Fig.12 for details

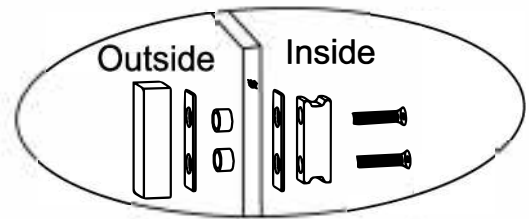


Fig. 12

13. Position the top rail / fixed glass assembly into place in your shower. Loosen the set screws in Rail Mount (22) next to Returned Glass Panel (23). Next connect Rail Mount (22) to stainless steel fitting by sliding rail mount over stainless steel fitting and tightening set screws in rail mount to secure to Top Rail (2). See Fig.13 for details.

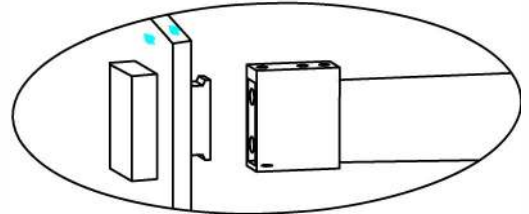


Fig. 13

NOTE: THE TOP RAIL ATTACHED TO FIXED GLASS SHOULD BE POSITIONED TO INSIDE OF SHOWER.

14. Using a level, verify the Top Rail (2) is horizontal and the Large Fixed Glass (3) is plumb, mark the Rail End (5) location on wall.

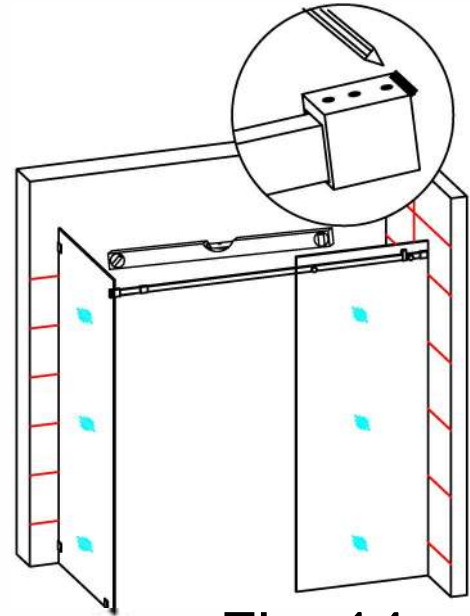


Fig. 14

15. Remove pre-installed screw from pre-assembled Glass Clamp (7).

Position the side of the Glass Clamp (7) with shower base mounting hole on the shower base and align with large hole opening on bottom of Large Fixed Glass (3).

Mark the mounting hole of Glass Clamp (7) at this position.

See Fig.15 for details.

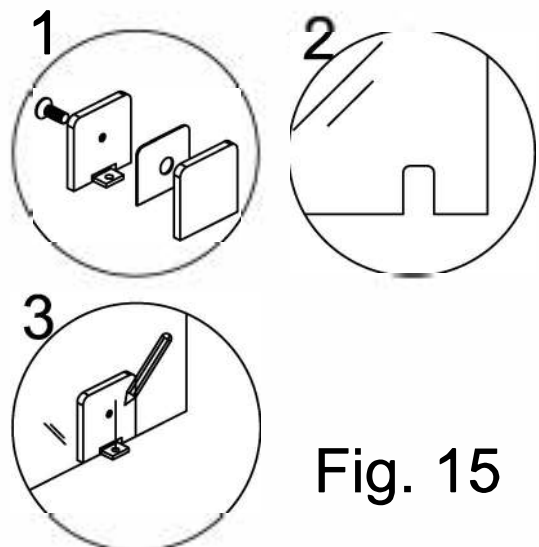


Fig. 15

16. Loosen the set screws in the rail mount (22). Disconnect Rail Mount (22) and stainless steel fitting by sliding Rail Mount (22) over Top Rail (2) and loosely tightening into place.

See Fig.16 for details.

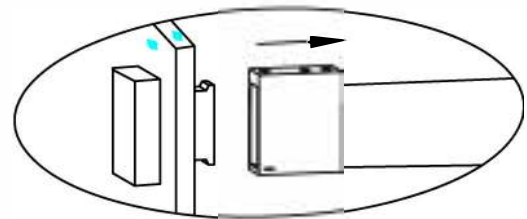


Fig. 16

17. Remove the Rail End (5) from the Top Rail (2). Install the Wall Mount (6) into the Rail End (5), using the set screw to locate the Wall Mount (6) within the Rail End (5). A hex wrench is provided for this set screw.

Place the Rail End (5) with wall mount installed onto the location you marked in earlier step and mark the mounting holes. Use only the top hole.

Using the appropriate drill bit for your wall surface drill the hole locations with a 5/16" diameter drill bit. Install the plastic anchors provided into the drilled holes.

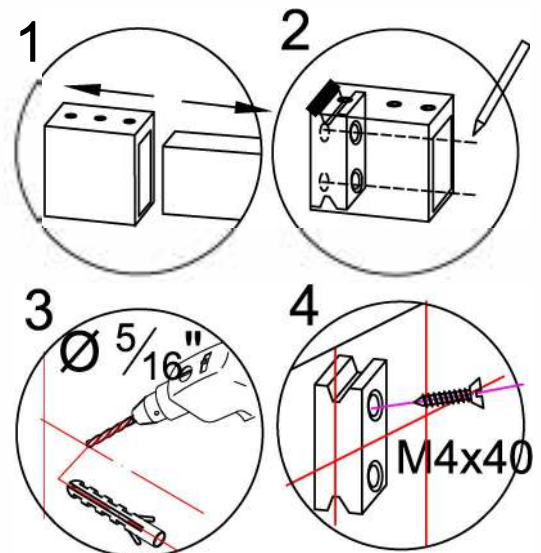


Fig. 17

Remove the Wall Mount (6) from the Rail End (5). Using the hardware from Screw Pack 2, install the Wall Mount (6) on the wall.

See Fig.17 for details.

18. Using the appropriate drill bit for your base surface drill hole locations with 5/16" diameter drill bit and install the plastic anchors provided into the drilled holes.

Position Glass Clamp (7) on shower base and attach to shower base using M4 x 40 screws from screw pack 2. The glass clamp should be positioned so the single hole is facing toward the inside of shower.

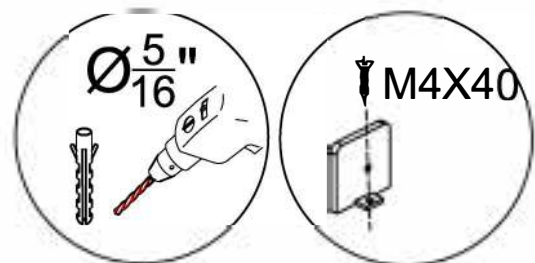


Fig.18

See Fig.18 for details.

19. Slide Rail End (5) onto Top Rail (2) and loosely tighten into place. Note: The Rail End (5) should be installed on Top Rail (2) so that the end of Rail End (5) with top and bottom set screws is facing outward. See Fig.19 for details

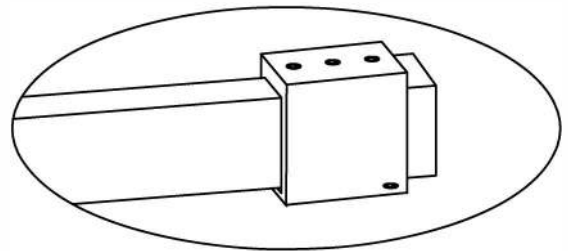


Fig. 19

20. Position the top rail / fixed glass assembly into place in your shower opening. Next connect Rail Mount (23) to stainless steel fitting by sliding rail mount over stainless steel fitting and tightening set screws in rail mount to secure to Top Rail (2). See Fig. 20 for details.

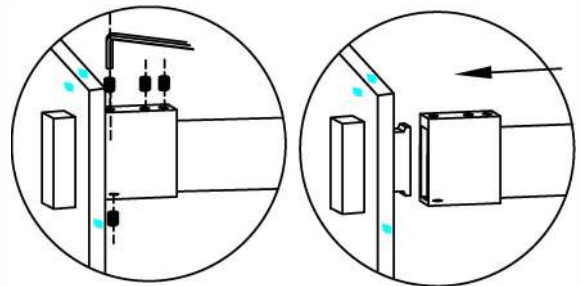


Fig. 20

21. Slide the Rail End (5) over the Wall Mount (6) and secure using the set screws. See Fig. 21 for details.

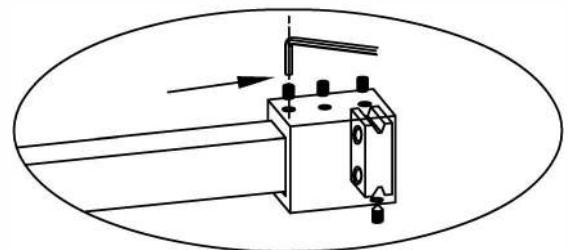


Fig. 21

22. Install the Glass Clamp (7) to Large Fixed Glass (3) using hardware provided. Flat smooth surface of Glass Clamp (7) should be installed on outside of Large Fixed Glass (3).

See Fig.22 for details.

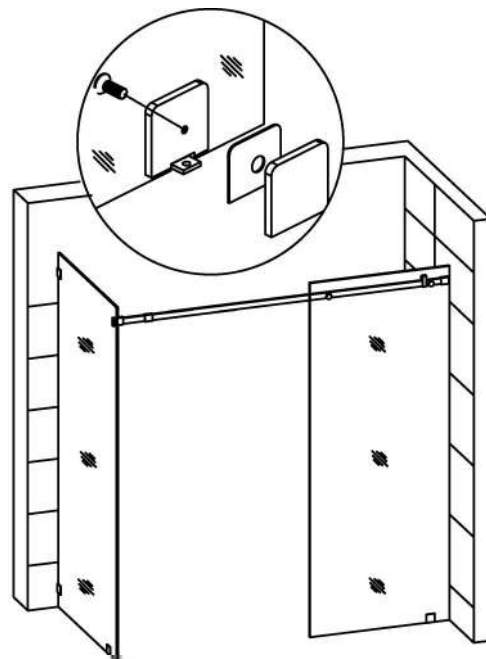


Fig. 22

23. Remove the threaded cap from Fixed Glass Bolt Assembly(21).

Position the Small Fixed Glass (20) in place against Return Glass Panel (23). Slide Small Fixed Glass Bolt Assembly (21) on Top Rail (2) to align with mounting hole in Small Fixed Glass (20).

Secure the Small Fixed Glass (20) to Small Fixed Glass Bolt Assembly (21).

Tighten the set screws at the top of Small Fixed Glass Bolt Assembly (21).

See Fig.23 for details.

24. Remove pre-installed screw from pre-assembled Glass Clamp (7).

Position the side of the Glass Clamp (7) with shower base mounting hole on the shower base and align with large hole opening on bottom of Small Fixed Glass (20).

Mark the mounting hole of Glass Clamp (7) at this position.

See Fig.24 for details.

25. Set the Small Fixed Glass (20) aside.

Using the appropriate drill bit for your base surface drill hole locations with $\frac{5}{16}$ " diameter drill bit and install the plastic anchors provided into the drilled holes.

Position Glass Clamp (7) on shower base and attach to shower base using M4x40 screws from screw pack 1. The glass clamp should be positioned so the single hole is facing toward the inside of shower.

See Fig.25 for details.

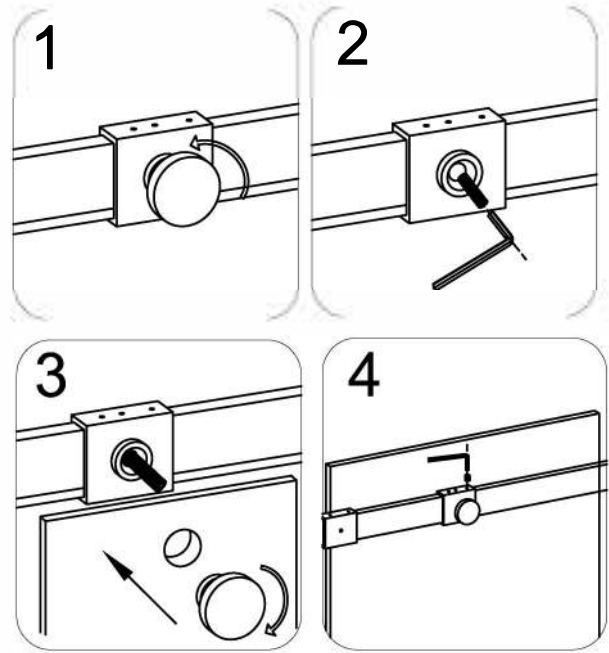


Fig.23

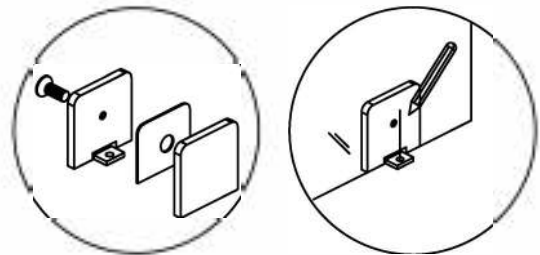


Fig.24

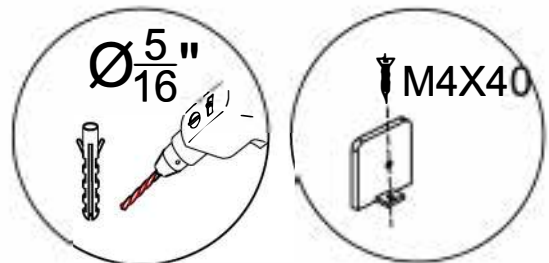


Fig.25

26. Position the Small Fixed Glass (20) in place against shower wall. Secure the Small Fixed Glass (20) to Top Rail (2).

See Fig.26 for details.

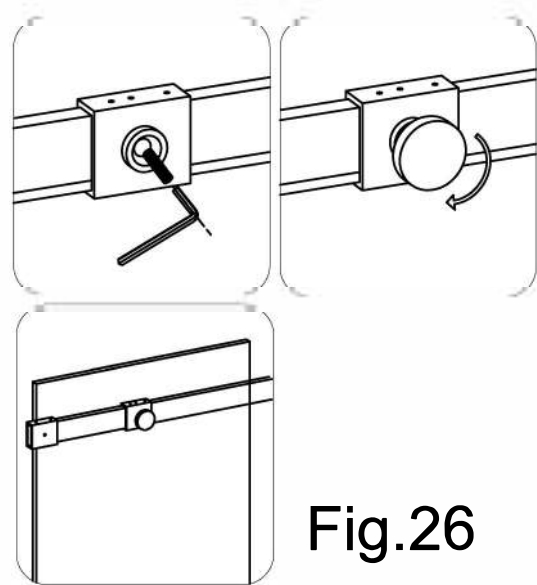


Fig.26

27. Install the Glass Clamp (7) to Small Fixed Glass (20) using hardware provided. Flat smooth surface of Glass Clamp (7) should be installed on outside of Small Fixed Glass (20).

See Fig.27 for details.

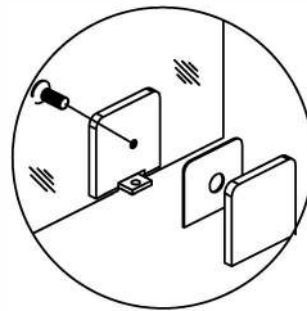
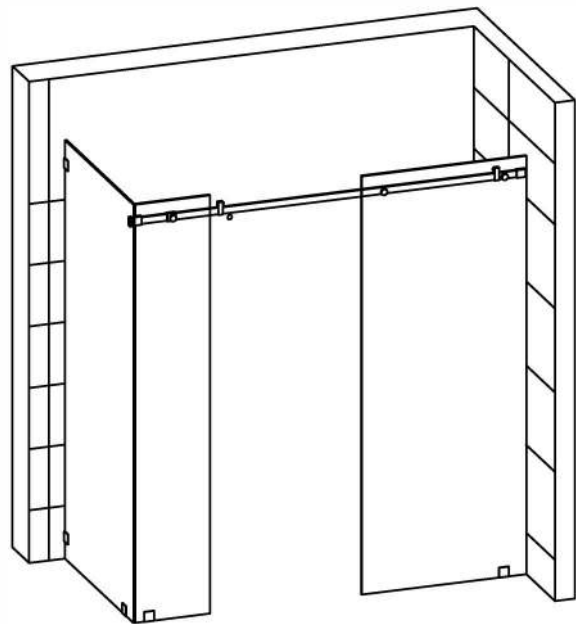


Fig.27



28. Insure plastic sliding door glide is in place in underside of Sliding Door Track Divider (8) and positioned to proper location for 10mm glass thickness.

See Fig.28 for details.

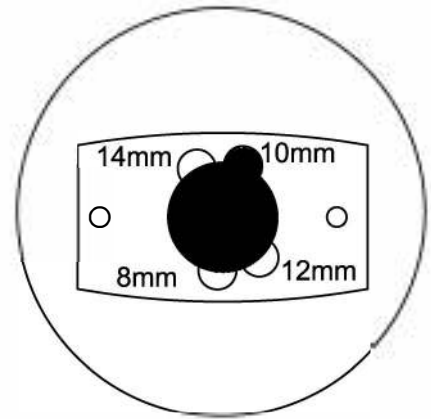


Fig. 28

29. Position the Sliding Door Track Divider (8) into position as seen in Fig.22 and mark the 2 shower base hole positions.

Note: In Fig.22 the hole locations for attaching sliding door track divider should be $1 \frac{3}{16}$ " from edge of Large Fixed Glass (3).

See Fig.29 for details.

NOTE: If your surface is prone to cracking or chipping then it is recommended that you pilot drill first using a smaller drill bit, and then step up to the final size.

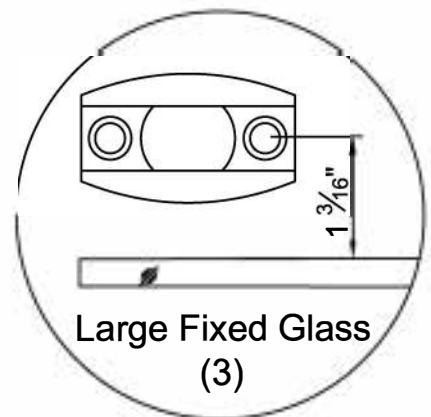


Fig. 29

30. Using the appropriate drill bit for your base surface drill hole locations with $\frac{5}{16}$ " diameter drill bit and install the plastic anchors provided into the drilled holes. Position the Sliding Door Track Divider (8) over drilled holes, and secure Sliding Door Track Divider (8) to floor using hardware in screw pack 3.

See Fig.30 for details.

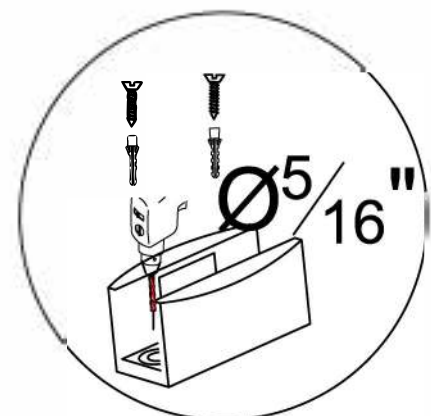


Fig. 30

31. Assemble the Upper Roller Assemblies (9) onto Sliding Door (4).

Note: The door handle mounting holes should be positioned to left. The Upper Roller Assemblies (9) will be on the outside of Sliding Door (4). The sliding door should be to the inside of shower area.

See Fig.31 for details.

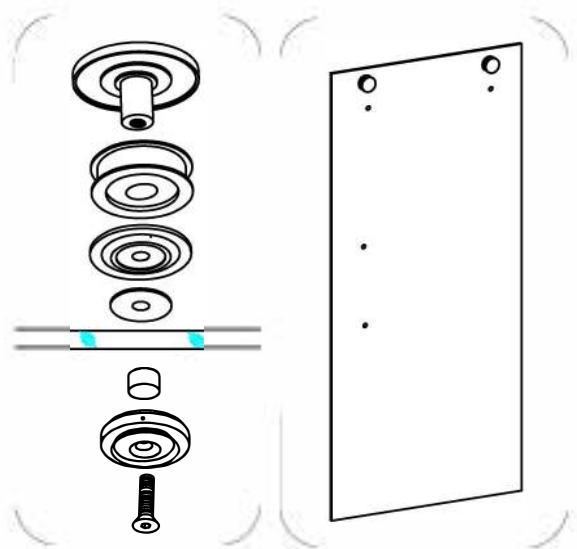


Fig. 31

32. The rollers for this unit have a built in cam adjustment to adjust the plumb of sliding door.

Locate the small hole in outside edge of roller assembly and insert a small hex wrench into hole opening.

Next using the hex wrench for roller assembly slightly loosen the roller wheel assembly.

Now holding the hex wrench in place rotate the outer edge of roller assembly using the small hex wrench inserted into small hole opening in outer edge of roller assembly. This will move the roller cam to offset any minor adjustments for sliding door out of plumb. All 2 upper rollers on this unit can be adjusted as describe above.

See Fig.32 for details.

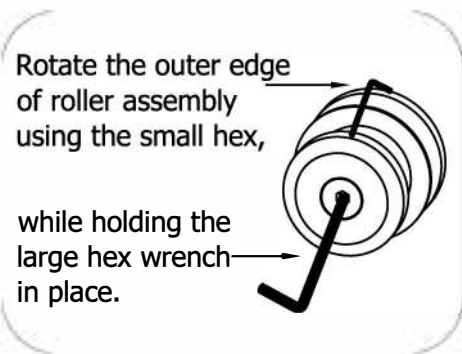


Fig. 32

33. Suspend the Sliding Door (4) on the Top Rail (2). Slide the bottom edge of Sliding Door (4) into the groove of the Sliding Door Track Divider (8). Adjust the Upper Roller Assemblies (9) to insure the bottom edge of Sliding Door (4) does not touch the bottom Sliding Door Track Divider (8).

See Fig.33 for details.

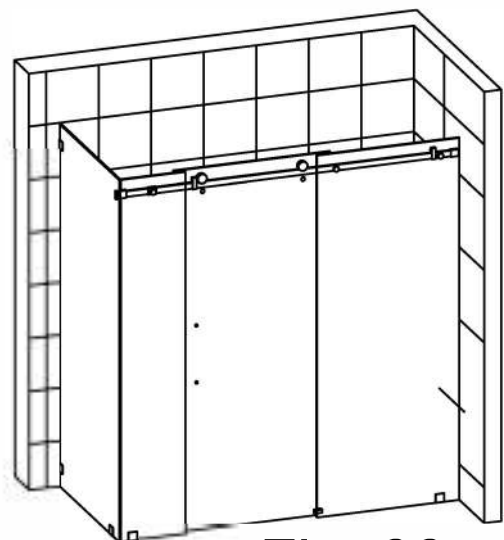


Fig. 33

34. Install the Bottom Roller Guide Assemblies (10) on the Sliding Door (4) to secure the Sliding Door (4) to Top Rail (2).

See Fig.34 for details.

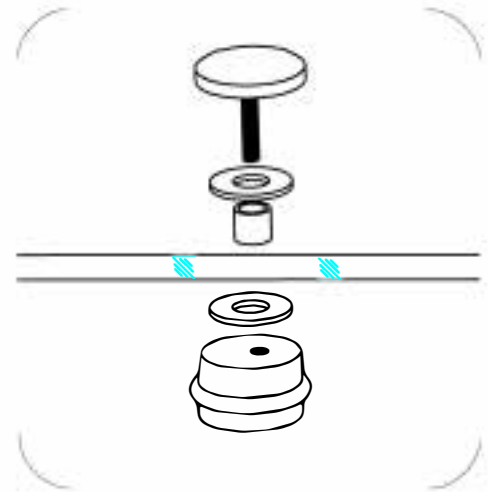


Fig. 34

35. Adjust the Bottom Roller Guide Assemblies (10) so that the distance between the bottom of Top Rail (2) and the top of Bottom Roller Guide Assemblies (10) has a gap of $1/32$ ". This gap is a starting gap, check that the sliding door rolls smoothly along the the top rail. Make adjustments if needed.

See Fig.35 for details.

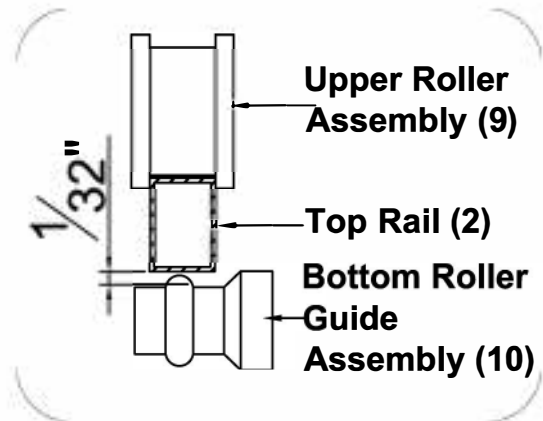
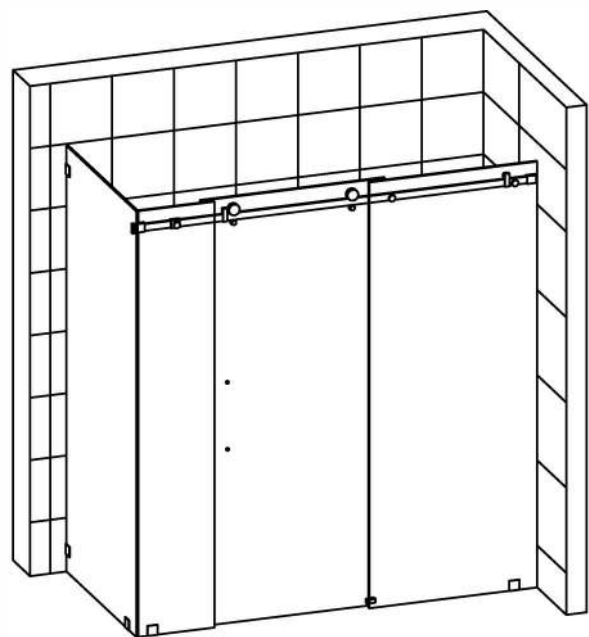


Fig. 35



36. The Door Threshold is used to prevent water from seeping out while bathing. Install the threshold according to these instructions.

Measure the distance between the Small Fixed Glass (20) and the Large Fixed Glass (3).

See Fig.36 for details.

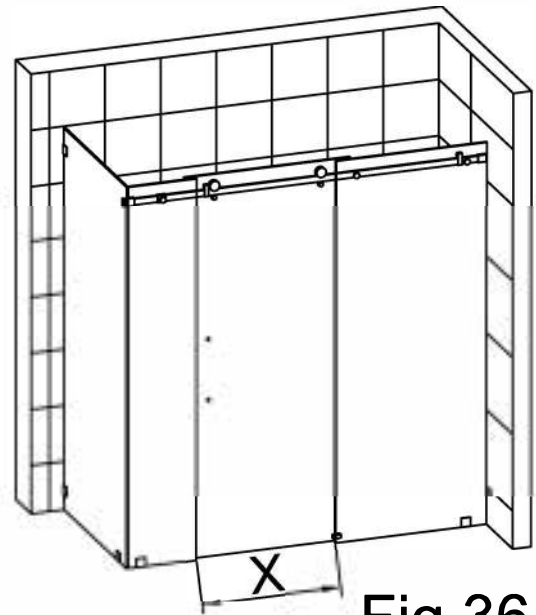


Fig.36

Using a hacksaw cut the Door Threshold bar (12) to fit distance measured between the large fixed glass and small fixed glass. Remove any sharp edges or burrs after cutting Door Threshold bar (12).

See Fig.37 for details.

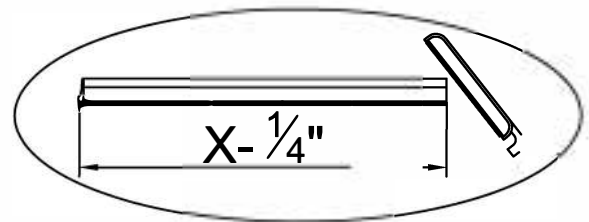


Fig.37

Position the Door Threshold bar (12) to floor by aligning in door opening with fixed glass. Mark the Threshold End Cap (13) mounting hole locations.

See Fig.38 for details.

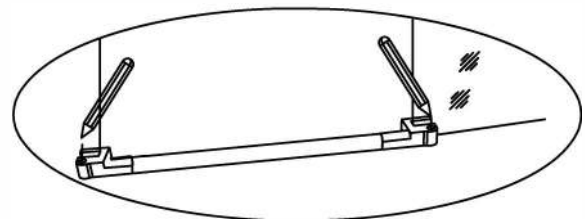


Fig.38

Using the appropriate drill bit for your floor surface drill the hole locations with a 5/16" diameter drill bit and install the plastic anchors provided into the drilled holes. Repeat for the other side.

See Fig.39 for details.

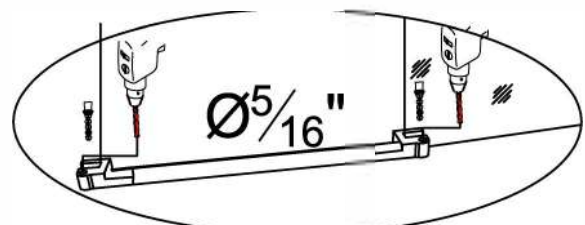


Fig.39

NOTE: If your surface is prone to cracking or chipping then it is recommended that you pilot drill first using a smaller drill bit, and then step up to the final size.

Add a small amount of silicone sealant to bottom of threshold bar assembly place into position.
See Fig.40 for details.

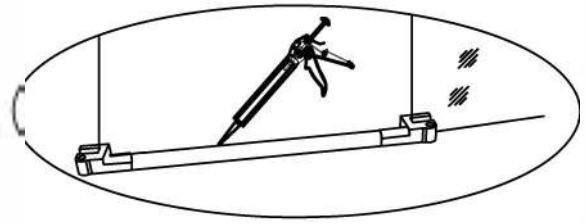


Fig.40

Using the hardware from screw pack 3 install the threshold bar assembly. Install the decorative screw plug covers into Threshold End Caps (13).
See Fig.41 for details.

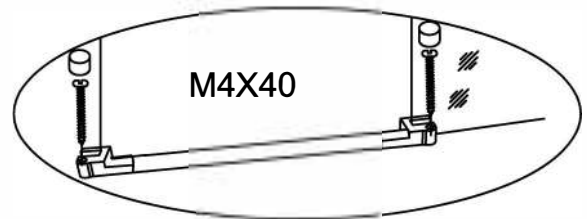


Fig.41

37. Install the Door Handle (24) using hardware provided.
See Fig.42 for details.

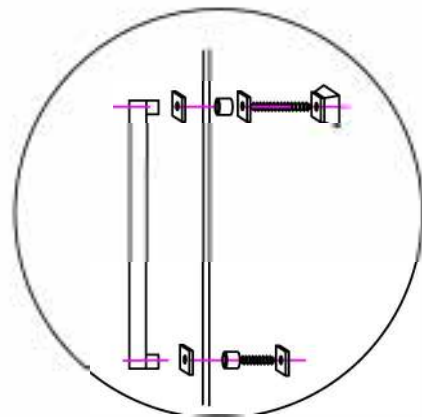


Fig.42

38. Press the Bumper Strip (14) on the vertical edge of Sliding Door (4) and press the Anti-water Strip (15) on the vertical edges of the Small Fixed Glass (20).

Press the Anti-water Strip (15) on the vertical edges of the Large Fixed Glass (3) and the Sliding Door (4).

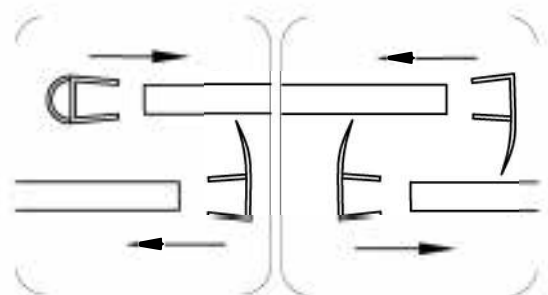


Fig. 43

See Fig.43 for details.

39. Adjust both Door Stoppers (1) to ensure that they are positioned upright and the Sliding Door (4) is in its maximum opening and closing range. Tighten the set screws to fasten them in place.

See Fig.44 for details.

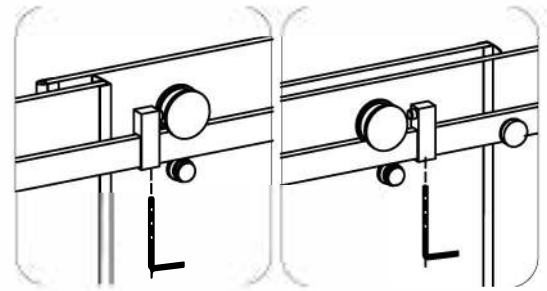


Fig. 44

40. Using Bath & Kitchen silicone sealant, seal the Large Fixed Glass (3) and Small Fixed Glass (20) along bottom edge on shower base, and side edge along shower wall. Next seal around Sliding Door Track Divider (8).

See Fig.45 for details.

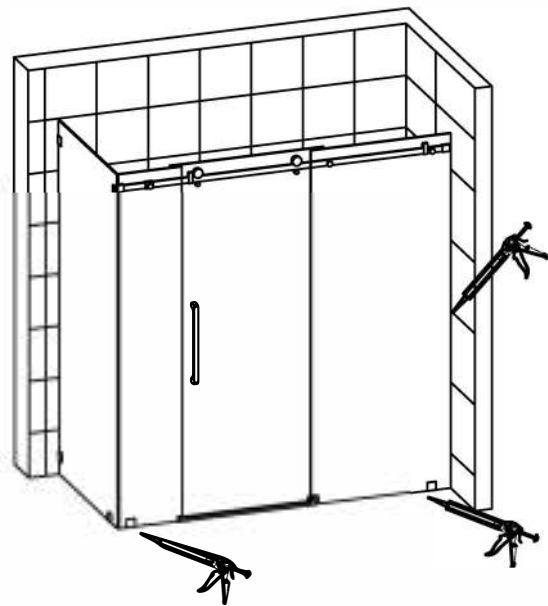


Fig. 45

Care and Maintenance

As with any other luxury item, maintenance and care are critical to the long lasting quality and enjoyment of your shower door and tray. The proper care and maintenance outlined in this section are necessary to ensure the longevity of the unit. Damage caused by not following the care and maintenance guidelines in this section is not covered under the manufacturer's warranty.

The glass doors and panels can be cleaned using any commercially available glass cleaner.

We recommend that you clean the glass daily and squeegee the glass with a silicone or rubber squeegee after each use to help prevent water spots.

Warranty

PLEASE READ THESE WARRANTY TERMS AND CONDITIONS CAREFULLY BEFORE USING YOUR ASTON GLOBAL BATHROOM PRODUCT. BY USING THE PRODUCT, YOU ARE CONSENTING TO BE BOUND BY THE FOLLOWING WARRANTY TERMS AND CONDITIONS.

SHOWER DOOR/SHOWER TRAY

Aston Global Inc. Parts-Only Limited Warranty 5 years

Warranty for any part in oil rubbed bronze finish is limited to two (2) years.

Aston Global, Inc. ("Aston Global") warrants to the original retail purchaser ("Owner") of any Shower Door/Tray product ("Product"), at the original installation site, for a period of Five (5) years from date of purchase (whether directly from Aston Global or an authorized reseller) that the Product manufactured by Aston Global is free from manufacturing defects in materials and workmanship, when used under normal conditions and when such Product has not been modified or changed in any manner after leaving Aston Global's warehouse or plant. If any Product manufactured by Aston Global is found to have manufacturing defects in materials or workmanship, such Product will be repaired or replaced by Aston Global. This warranty applies only against defects discovered within the warranty period and extends only to the original purchaser of the Product. Parts repaired or replaced under the terms of this Warranty will be warranted for the remainder of the original warranty period only.

Proof of purchase is required to exercise this Warranty. Aston Global may, at its option, examine and inspect the alleged defective Product, and Aston Global may request that parts be returned to Aston Global at Owner's expense for factory inspection. The determination as to whether Product shall be replaced, or in the alternative, repaired, shall be made solely by Aston Global. If a Product is determined to be covered by the above Warranty, Aston Global will ship the replacement part(s) to Customer by either ground shipping or US postal service. Increased costs for expedited delivery, if requested by Customer, are the responsibility of Customer. Parts not currently in stock may require up to a 6 week delivery time after placement of order.

The above warranty is subject to the following conditions: (1) the Product must be installed in a single family dwelling unit where the original purchaser of the Product resides; and (2) the Product must be maintained as described in the owner's manual supplied with the Product.

For glass and acrylic panels, the customer must (a) open and inspect the Product upon delivery (without releasing the delivery driver until visual verification that the Product arrived in a good and acceptable condition); and (b) clearly notate damage on the delivery acknowledgment receipt. Failure to do so, and any damage discovered to glass or acrylic panel after delivery, will be repaired or replaced at the sole discretion of Aston Global.

THIS WARRANTY DOES NOT COVER:

1. Product installed in buildings other than single family dwelling units.
2. Product installed outdoors or any other non-standard bathroom location.
3. Component parts not manufactured by Aston Global.
4. Workmanship of any installer of Aston Global Product. This warranty does not assume any liability of any nature for unsatisfactory performance caused by improper installation, or any damages to property resulting from improper installation or use of the Products, including but not limited to flooring, subfloor, tile, walls, sheet rock, concrete board, paint, plumbing fixtures and ceilings.
5. Labor costs incurred in the removal, disassembly, reassembly, or installation of the Product(s), including replacement Products issued under the Warranty, or costs for transportation to Aston Global, and any other materials necessary to return Product to Aston Global.
6. Any Product that has been damaged as a result of being improperly serviced or operated, including, but not limited to, the following: operated with insufficient water; allowed to freeze; subjected to flood conditions; operated with water conditions or additives which cause unusual deposits or corrosion in or on the Product, or subject to any other abuse or negligence.
7. Any Product that has been damaged as a result of natural disasters, including, but not limited to, lightning, fire, earthquake, hurricanes, tornadoes or floods.
8. Product used for any purpose other than residential bathroom usage.

LEGAL DISCLAIMERS

ALL IMPLIED WARRANTIES, INCLUDING WARRANTIES OF MERCHANTABILITY AND FITNESS FOR A PARTICULAR PURPOSE, ARE HEREBY DISCLAIMED IN THEIR ENTIRETY WITH RESPECT TO ALL PURCHASERS OR OWNERS. FAILURE TO RETURN THE WARRANTY CARD SHALL HAVE NO EFFECT ON THE DISCLAIMER OF THESE IMPLIED WARRANTIES. ALL EXPRESS WARRANTIES SHALL BE LIMITED TO THE DURATION OF THIS EXPRESS LIMITED WARRANTY AND EXCLUDE ANY LIABILITY FOR CONSEQUENTIAL OR INCIDENTAL DAMAGES RESULTING FROM THE BREACH OF ANY EXPRESS WARRANTY. Some states do not allow the exclusion or limitation of incidental or consequential damages, so the above limitations or exclusions may not apply. No dealer, distributor, service company or other party is authorized to change, modify or extend the terms of this warranty in any manner whatsoever.

Aston Global and its representatives shall not be liable for any injury, loss, cost or other damages, whether incidental or consequential, arising out of any defect covered by this Warranty including and without limitation, loss of use of the Product and cost for removal of defective Product, even if Aston Global has been advised of the possibility of such damage. The liability of Aston Global under this Warranty, if any, shall not exceed the original amount paid for the Product covered by the Warranty. Coverage under this Warranty shall commence as of the original date of purchase and the duration of such coverage shall not extend for any reason whatsoever beyond the stated time period. The

Customer is required to provide adequate access the Product for any repair or inspection. Aston Global shall not be liable for expenses or damage which may include but are limited to water damage, removal of any and all common building product such as tile, flooring, wood, sheet rock, plumbing fixtures, concrete board, vanities, bathtubs and toilets or any other custom items.

THIS WARRANTY GIVES YOU SPECIFIC LEGAL RIGHTS AND YOU MAY HAVE OTHER RIGHTS WHICH VARY FROM STATE TO STATE. ASTON GLOBAL'S FAILURE TO ENFORCE ANY TERMS OR CONDITIONS STATED HEREIN SHALL NOT BE CONSTRUED TO BE A WAIVER OF SUCH PROVISION.

For prompt service, notify the original installer who, in turn, will notify the Aston Global distributor who supplied the Product. If this does not result in prompt service, contact Aston Global, Inc. at the address below with details in support of the warranty claim. For any questions about coverage of this Warranty, contact Aston Global at the address below.

Aston Global offers free phone support for the life of the Product to the original Owner.

The Warranty applies only to Products manufactured on or after January 1, 2012.

This Warranty may not be combined with any other warranty offered by Aston Global.



**Customer Service
877-424-9699**

**If further assistance is required,
you have a question or need
additional product information,
please visit our website:**

www.astonbath.com