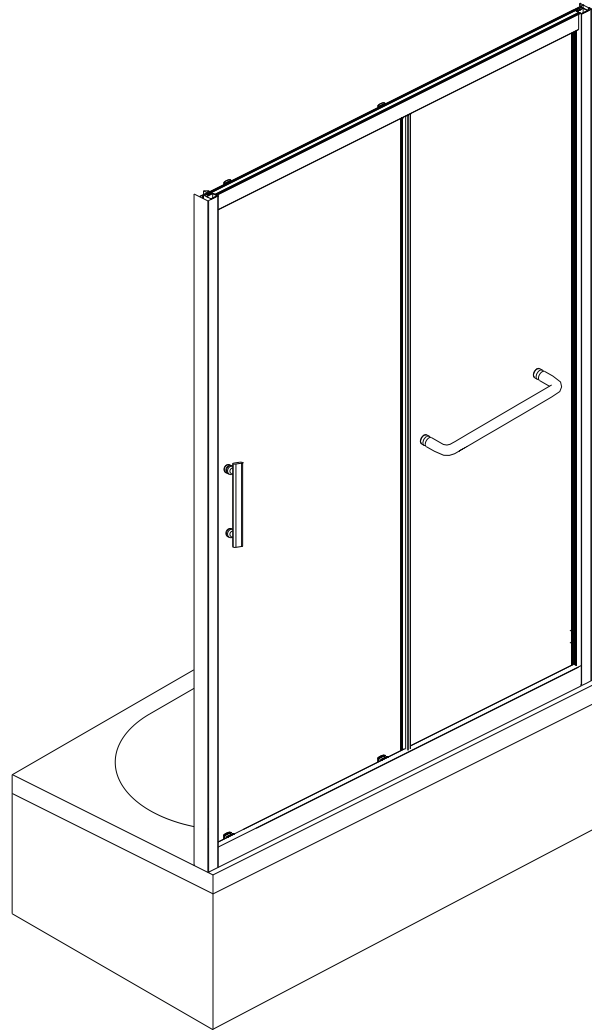


ANZZI™

SHOWER DOOR INSTALLATION



For models:
SD-AZ45

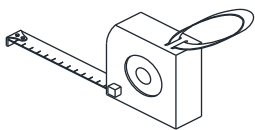


Please Note: This is a two person job. The glass doors are extremely heavy and it is highly recommended to use professional installers.

Preparation

1. After opening all boxes and packages, read this introduction carefully. Check that all of the needed parts are included in the package, by marking all the components on the "Detailed Diagram of Tub Door Components". Examine boxes and packages for shipping damage. If the unit has been damaged, has a finishing defect, or has missing parts, please contact our customer support department within 3 business days of the delivery date.
2. If this unit is going to be installed in a new construction, please, install all of the required plumbing and drainage before installing the shower. **Use a competent and licensed (if required by local code) plumber for all plumbing installation**
3. **Please note that you should consult your local building codes with questions on installation compliance standards. Building and plumbing codes may vary by location, and we will be not responsible for code compliance standards for your project.**
4. Please insure that prior to the installation the installation surface is leveled and solid and will be able to support the total weight of the unit. Also make sure the walls are at right angles. While some adjustment in leveling of the door is possible, irregular installation surface level or improper angle of side walls will result in serious problems for your installation. Please, note that some adjustments and drilling might be necessary during the installation process.

Tools Required



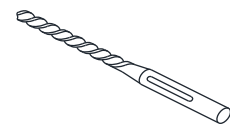
Tape Measure



Pencil



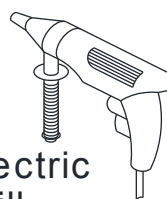
Phillips Screwdriver



Drill bit
(Ø 5/16")



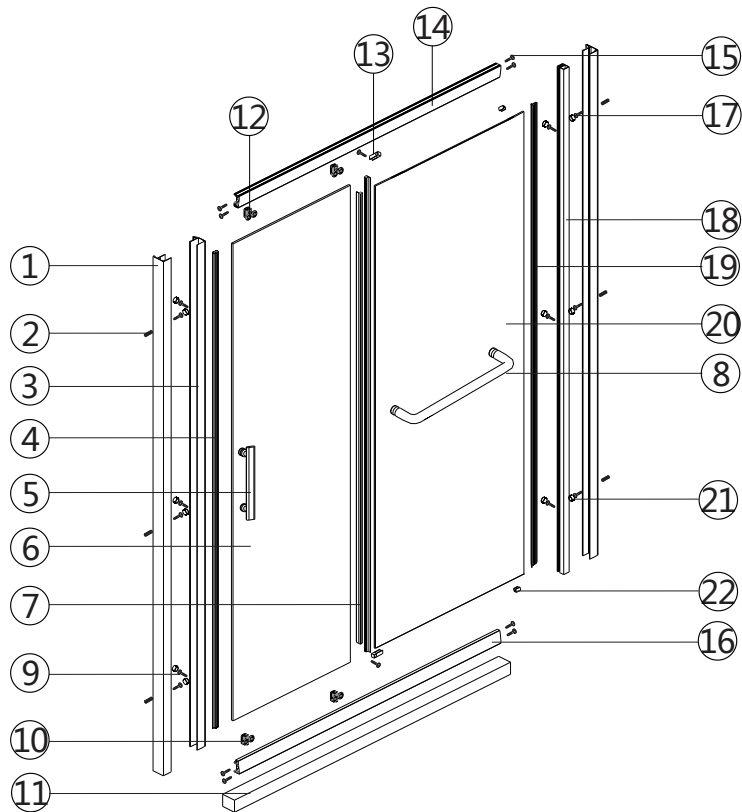
Level



Electric Drill



Hammer



No.	Description	Drawing	Qty	No.	Description	Drawing	Qty	No.	Description	Drawing	Qty
1	Wall jamb		2	9	ST4*12		8	17	ST4*25		6
2	Wall anchor		6	10	Bottom roller		2	18	Vertical jamb		1
3	Alluminium strip		1	11	Base		1	19	Rubber strip		1
4	Magnetic sea		1	12	Top roller		2	20	Fixed glass panel		1
5	Handle		1	13	Glass fixing block		2	21	Screw cap		12
6	Moving glass panel		1	14	Top guide rail		1	22	supporting block		2
7	Side water guard		2	15	ST4*40		8				
8	Handle		1	16	Bottom guide rail		1				

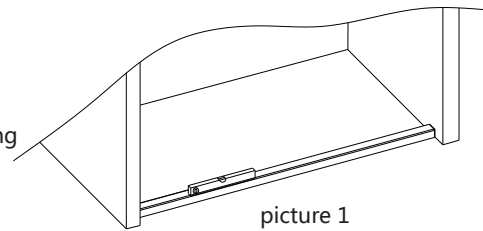
NOTE: Unpack your unit carefully and inspect it. Lay it out and identify all parts using the detailed diagram and packing list in your manual as a reference. Before discarding the carton, check for small hardware bags that tend to fall to the bottom of the box. If any parts are damaged or missing, please contact us.

1. Handle carefully with glass panel to avoid bumping, support it with wooden board, paper or foam when it is placed on floor
2. If any size deviation between base and shower enclosure :
 - ① Check if it is wrongly installed;
 - ② Check tilt level of enclosure against wall,
 - ③ Contact our customer service if any problem

Installation steps :

1. Installation of base:

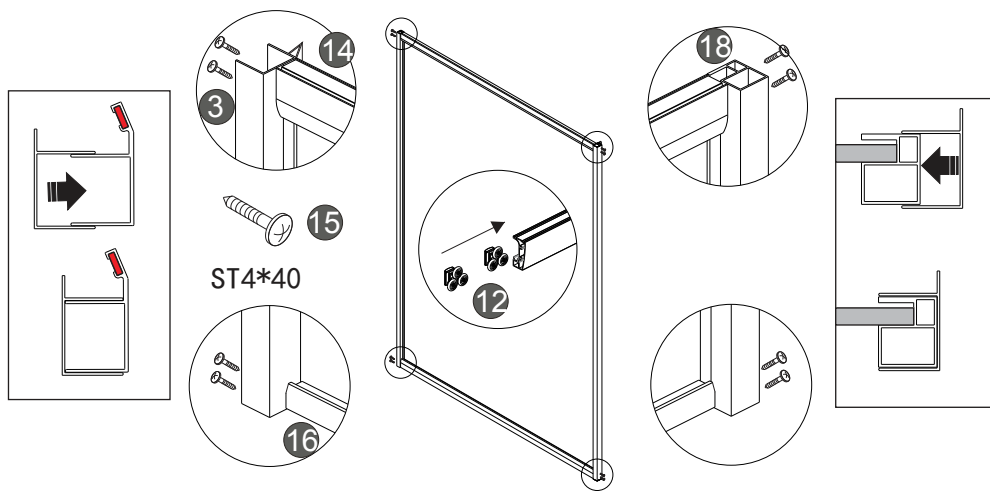
- ① Lay down base ;
- ② Check base level, keep it fully flat by padding or rubbing.



picture 1

2. Installation of frame:

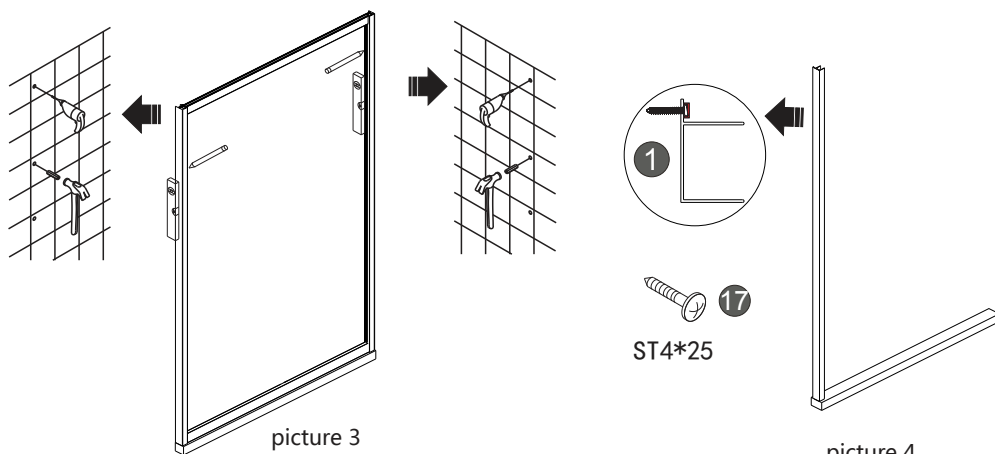
- ① As picture 2 : fix roller into top guid rail,
- ② Lock vertical jamb and guid rail with screw ST4*40
- ③ As picture 2 : insert wall jamb into frame



picture 2

3. Installation of wall jamb:

1. Put frame on the base
2. Mark drilling hole with pencil , drill hole , and insert rubber seal into the hole,
- ② As picture 4: Put wall jamb of moving glass panel into hole on the wall , lock it with screw.

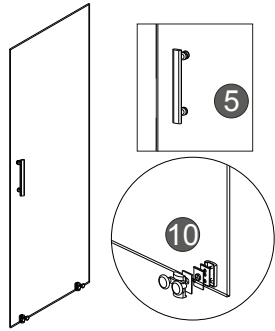


picture 3

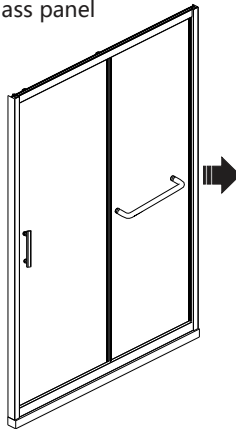
picture 4

5. Installation of moving glass panel:

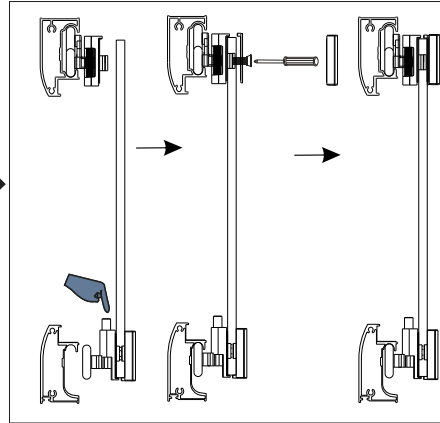
- ① As picture 7: install bottom roller, handle
- ② As picture 8: install moving glass panel



picture 7

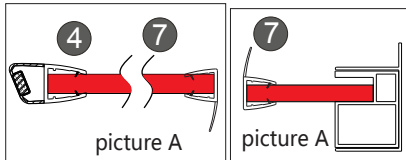


picture 8



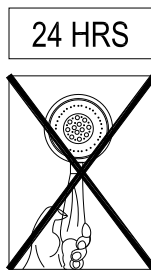
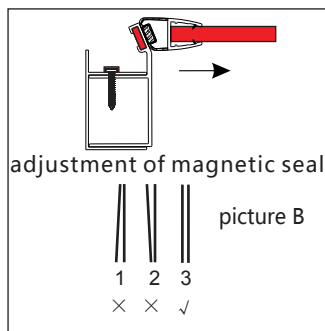
6. Installation of side water guard, magnetic seal

- ① As picture A: install side water guard, magnetic seal

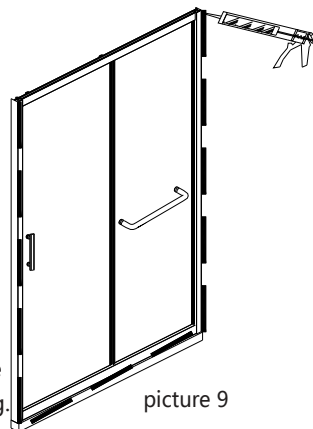


7. Adjustment

- ① As picture B, after installation, check the matching of door and magnetic seal, adjust it if any problem. after installation,
- ② As picture 9, paint glass glue between glass panel and wall for seal



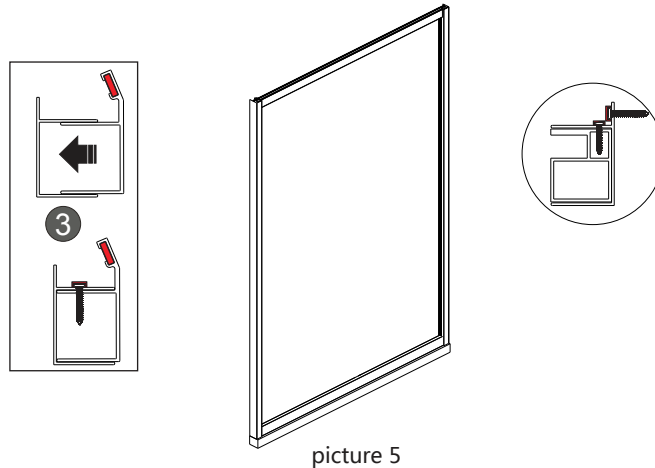
Do not use it in 24 hours after glass glue is painted, Ensure the glue is fully dried before using.



picture 9

as picture 5 :

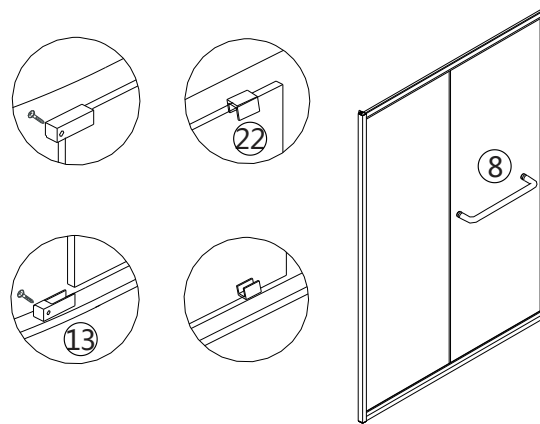
1. Fix frame into wall jamb ,
- 2 Fix main body with ST4*25 screw and screw cap,
3. Lock vertical jamb and wall jamb with ST4*12 screw and screw cap.



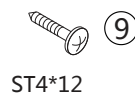
picture 5

4. Installation of fixed glass panel:

- ①. As picture 6: put fixed glass panel into per-assembled frame, then install rubber strip, glass fixing block, glass supporting block, finally lock glass fixing block on the guide rail with screw ST4*12 and install handle.



picture 6



ST4*12