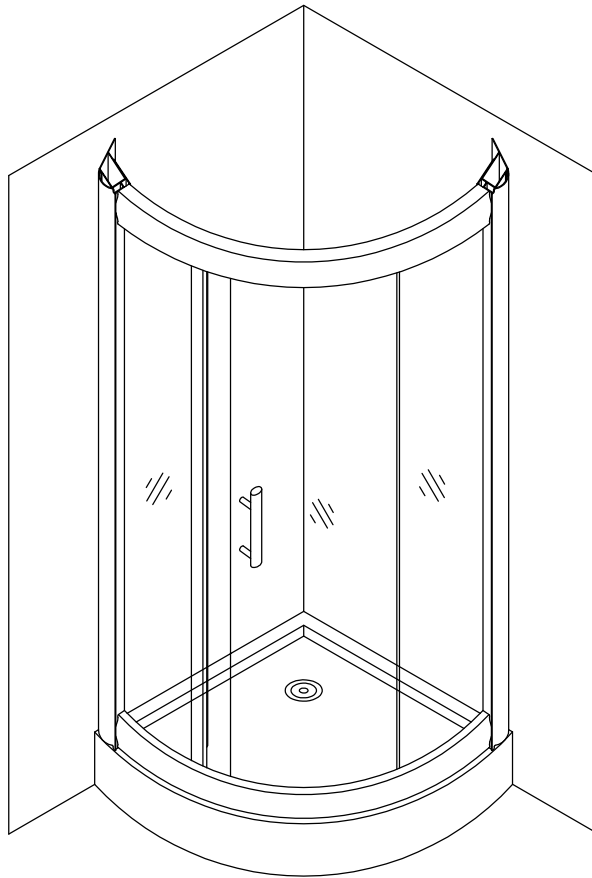


ANZZI™

SHOWER DOOR INSTALLATION & CARE GUIDE



For models:
SD-AZ01-01



Please Note: This is a two person job. The glass doors are extremely heavy and it is highly recommended to use professional installers.

For any questions or assistance simply call 1-844-44-ANZZI or visit us at www.ANZZI.com

Preparation

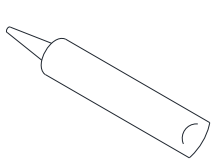
1. After opening all boxes and packages, read this introduction carefully. Check that all of the needed parts are included in the package by marking all the components on the "Detailed Diagram of Shower Door Components". Examine boxes and packages for shipping damage. If the unit has been damaged, has a finishing defect, or has missing parts, please contact our customer support department within 5 business days of the delivery date. Please note that **we will not replace any damaged products or missing parts free of charge after 5 business days or if the product has been installed.** Feel free to contact us if you have any questions.
2. **Please note that you should consult your local building codes with questions on installation compliance standards. Building and plumbing codes may vary by location, and we are not responsible for code compliance standards for your project and will not accept any returns.**
3. Please ensure that prior to the installation the installation surface is leveled and solid and will be able to support the total weight of the unit. Also make sure the walls are at right angles. Irregular installation surface level or improper angle of side walls will result in serious problems for your installation. Please, note that some adjustments and drilling might be necessary during the installation process.
4. This unit has to be installed against a finished floor and walls.

PLEASE, NOTE!

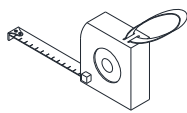
This door does have 1" out-of-plumb adjustment on each side. Make sure your walls are vertical and your shower base or threshold is leveled.

Note: If glass has silk, print or molded designs, please make sure that clear side faces inside the shower

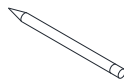
Tools Required



Caulk



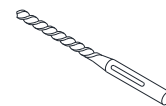
Tape Measure



Pencil



Phillips Screwdriver



Drill bit
(Ø=5/16")



Drill bit
(Ø=1/8")



Level



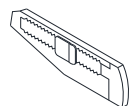
Caulk Gun



Electric Drill

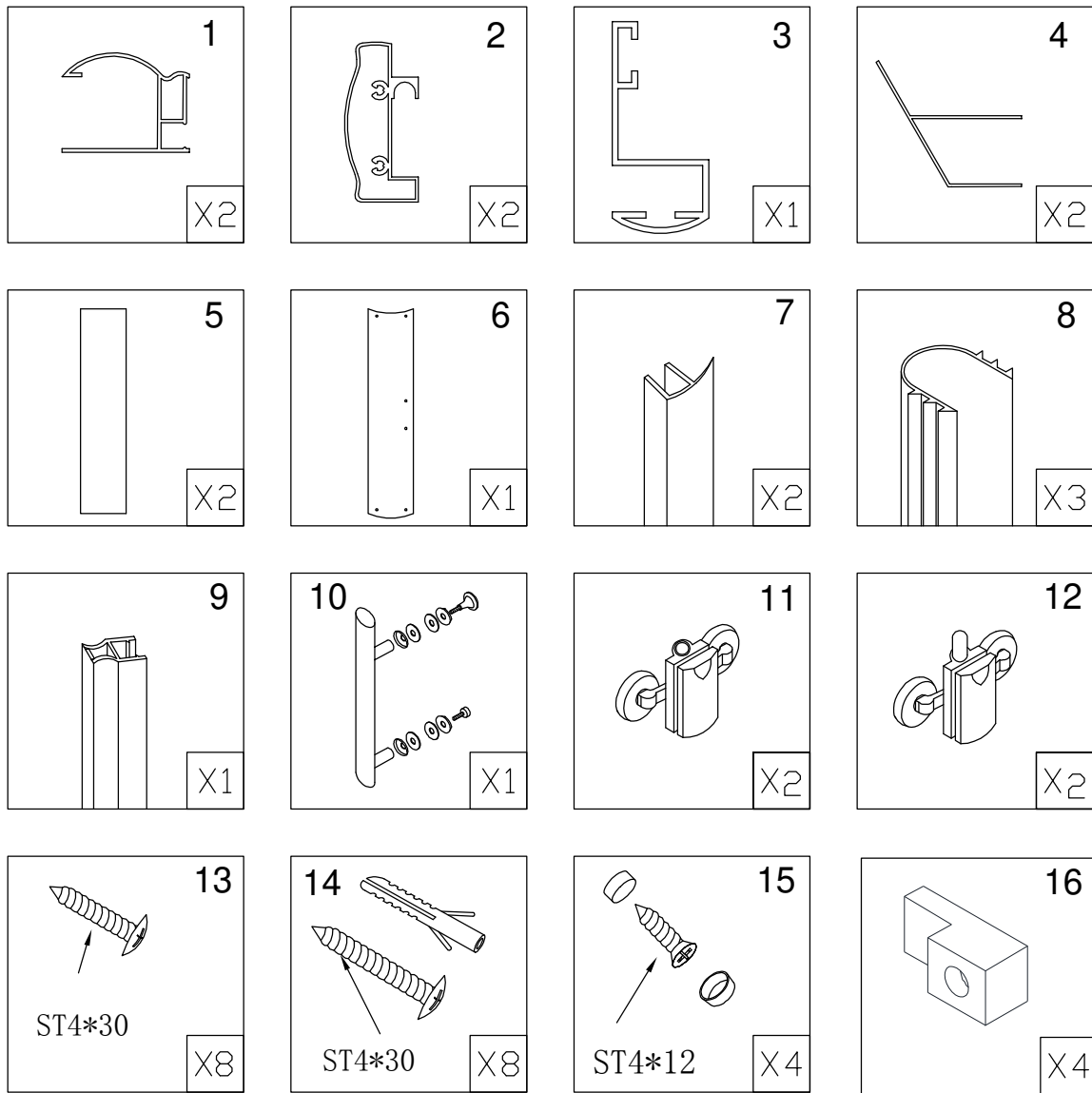


Hammer



Knife

Detailed Diagram of Shower Enclosure Components



Packing List

01	Glass profile	2pcs	10	Handle	1pair
02	Guide rail	2pcs	11	Top wheels	2pcs
03	Stationary glass profile (magnetic)	1pcs	12	Bottom wheels	2pcs
04	Wall profile	2pcs	13	Round head screw ST4*30	16pcs
05	Stationary glass	2pcs	14	Wall anchor	8pcs
06	Glass door	1pc	15	Round head screw ST4*12	4pcs
07	Anti water strip	2pcs	16	Glass holder	4pcs
08	U shape strip	3pcs			
09	Magnetic strip	1pc			

NOTE: Unpack your unit carefully and inspect it. Lay it out and identify all parts using parts diagram and part list in your manual as a reference. Before discarding the carton, check for small hardware bags that tend to fall to the bottom of the box. If any parts are damaged or missing, please contact us for replacement.

NOTE: Retain these installation instructions for future reference.

Shower Enclosure Installation

1. Fasten the bottom **Guide rail (03)** to the **Glass profiles (02)** with the **Round head screws ST4x30 (13)**.

See Fig. 1 for details.

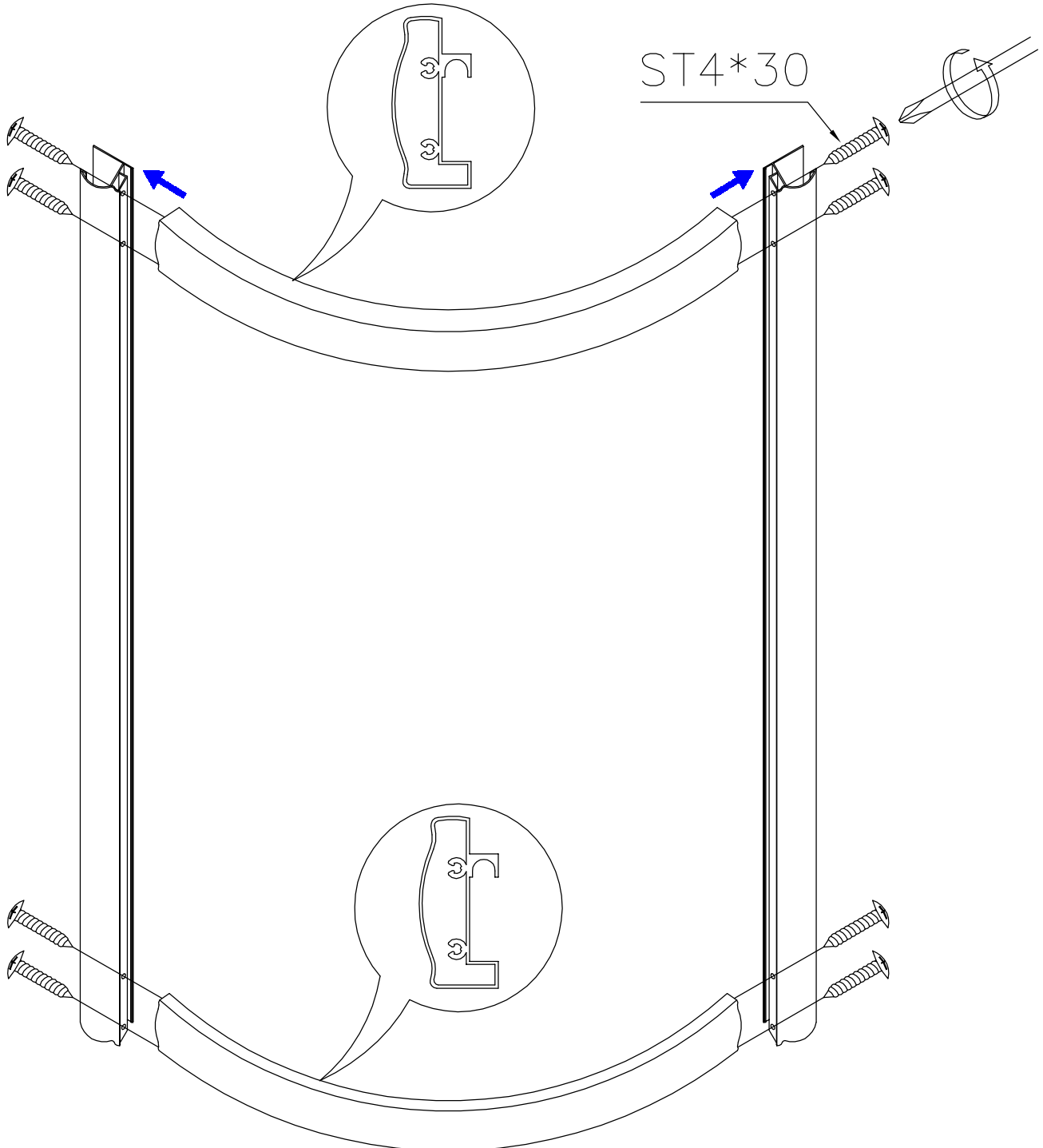


Fig. 1

2. Fit the **U shape strip (08)** onto stationary glass.

Slide the **Stationary glasses (05)** fully into the groove of the **Glass profiles (01)**, and then fasten it by the **Glass holders (16)** to the bottom **Guide rail (02)**.

Repeat this step to slide the second stationary glass into the groove of the **Glass profiles (01)**

See Fig. 2 for details.

ATTENTION:

Do not use the screwdriver or other metal objects;
you can scratch or damage the glass and aluminum.

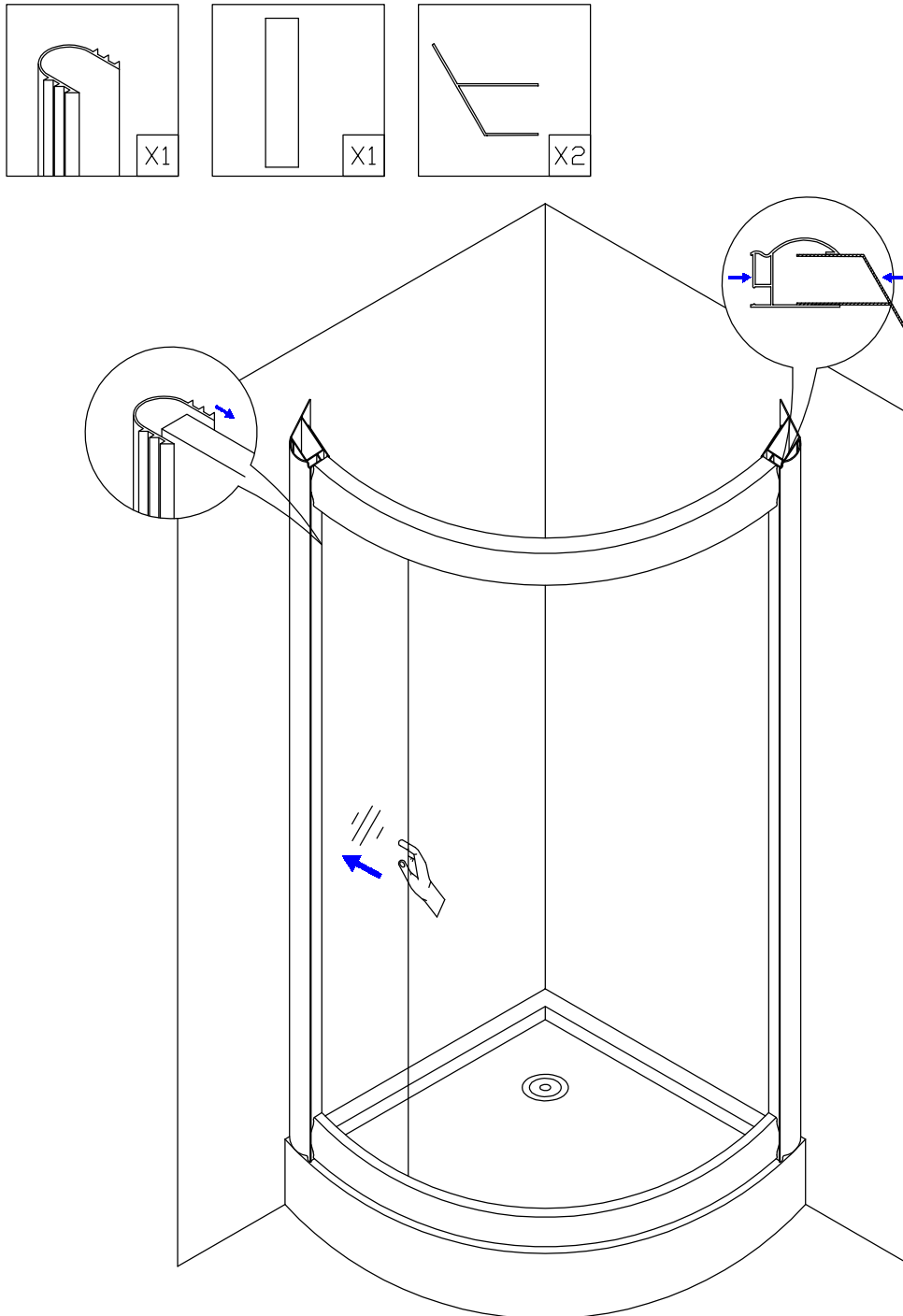


Fig. 2

Note

We have already assembled the **Stationary glasses profile (magnetic) (03)**

See Fig. 4 for details.

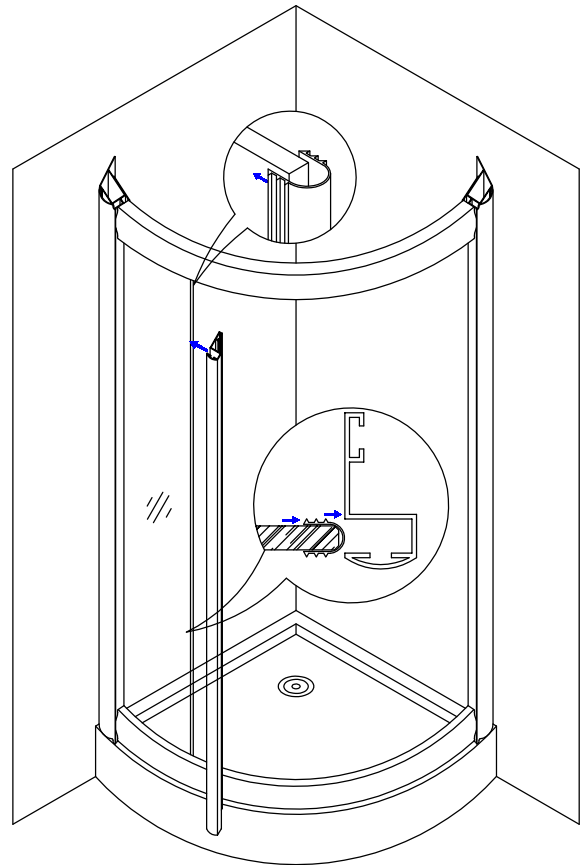
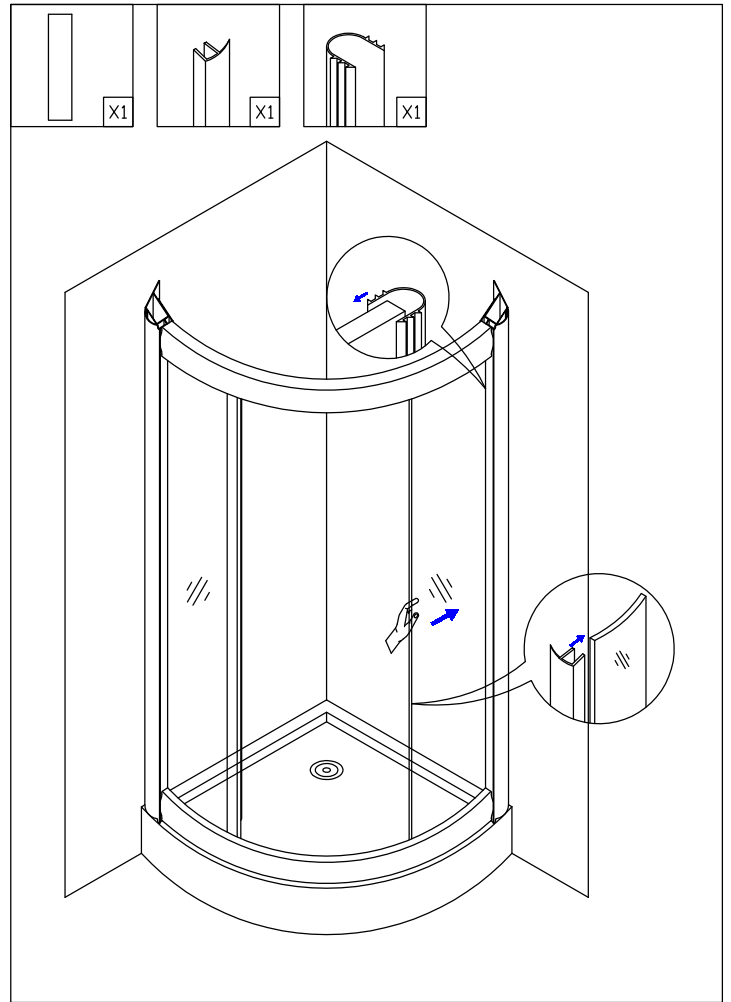


Fig. 4

Press **Anti-water strip (07)** into the **Stationary glasses(05)**

See Fig. 5 for details.

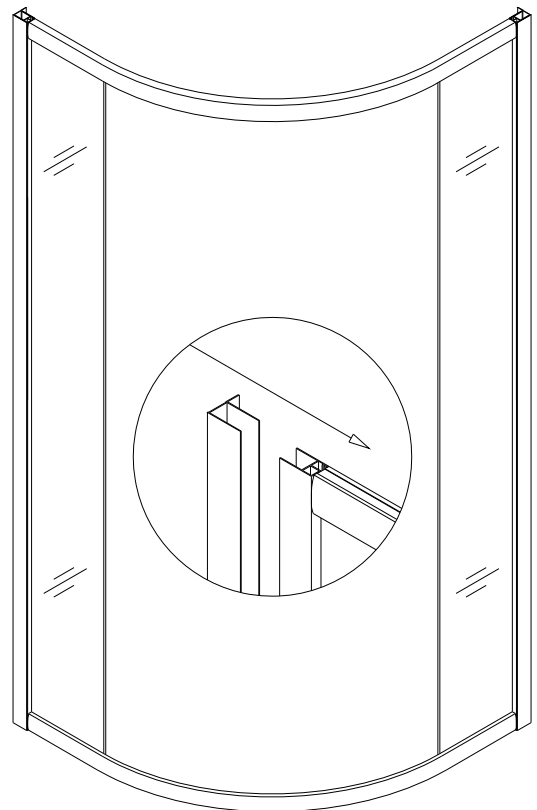
Fig. 5



5. Slide the **Wall profiles (04)** all the way onto the **Glass profiles (01)** on both sides. Make sure the flanges of the **Wall profiles** faces inside the shower.

See Fig. 6 for details.

Fig. 6



6. Move the finished frame to the designated position on the shower base, the bathtub or the threshold (depending on your installation); push it against the walls.
If your top and bottom wall opening measurements are different or if the walls are out of plumb, make adjustment by slightly pulling the **Wall profiles (04)** out of the **Glass Profiles (01)**

Use the level to adjust the frame in the vertical position.

See Fig. 7 for details.

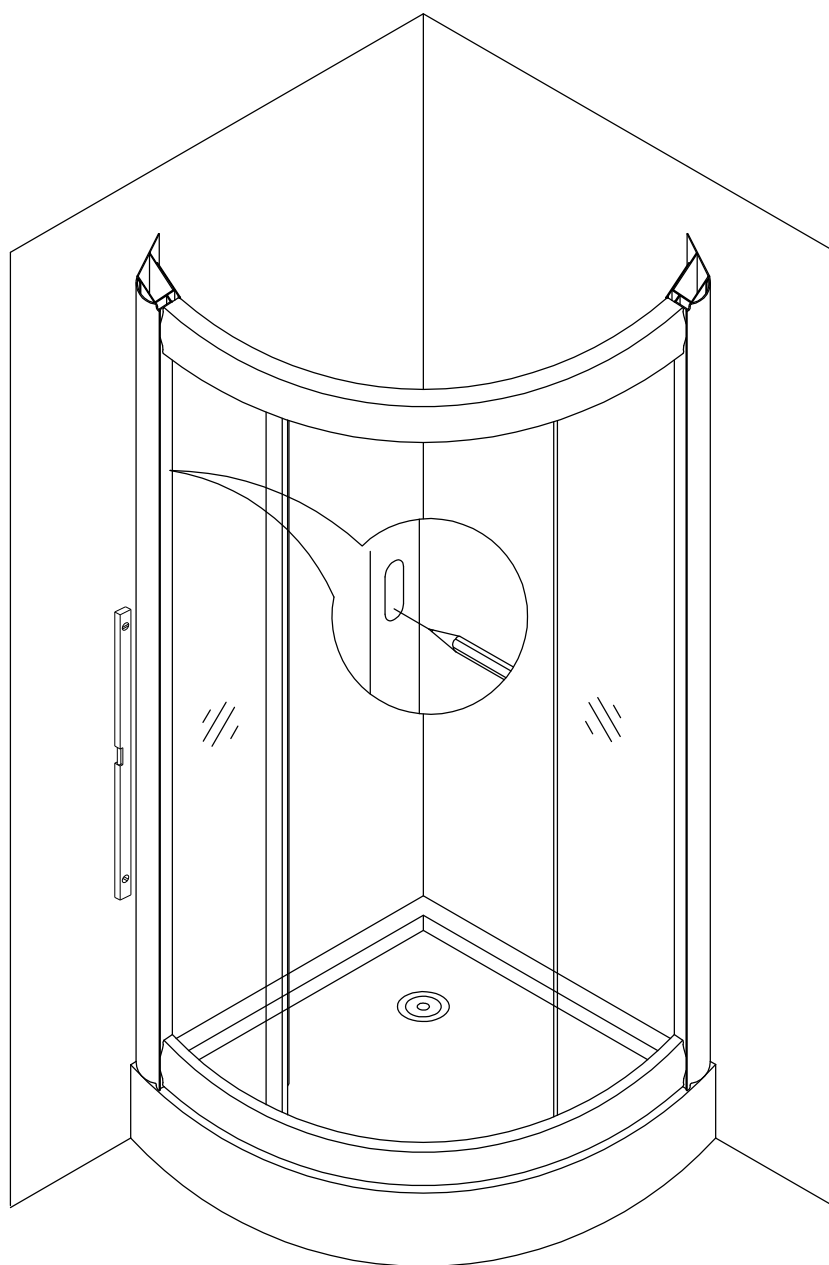
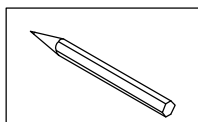


Fig. 7

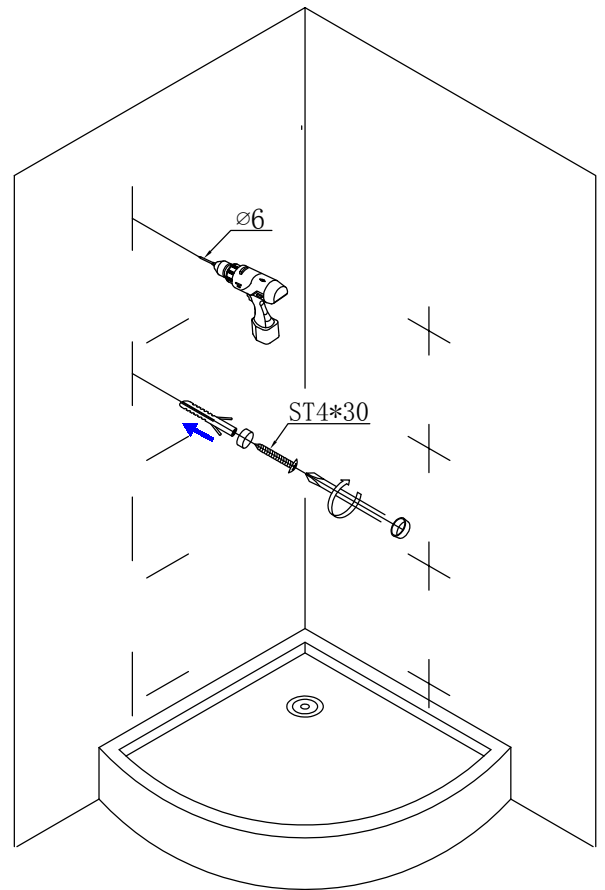
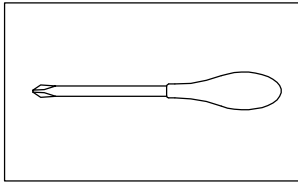
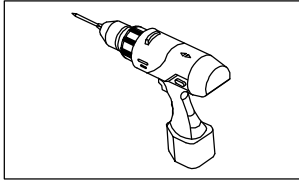
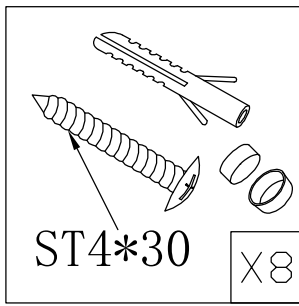


Fig.8

7. Using help to hold this assembly in the right position, mark the drill holes on the wall through the holes on the flange of the **Wall Profiles (04)**.

Gently set the assembled unit aside; drill the holes using **Ø 5/16"** drill bit and insert the **Wall anchors (14)**.

Apply silicone caulk along the **Wall profiles** and around the holes on the wall. Also apply silicone under the bottom **Guide rail (02)**. Place the whole shower assembly back into the designated position and secure it to the walls using the **Round head screws ST4×30 (14)**.

See Fig. 8 and Fig.9 for details.

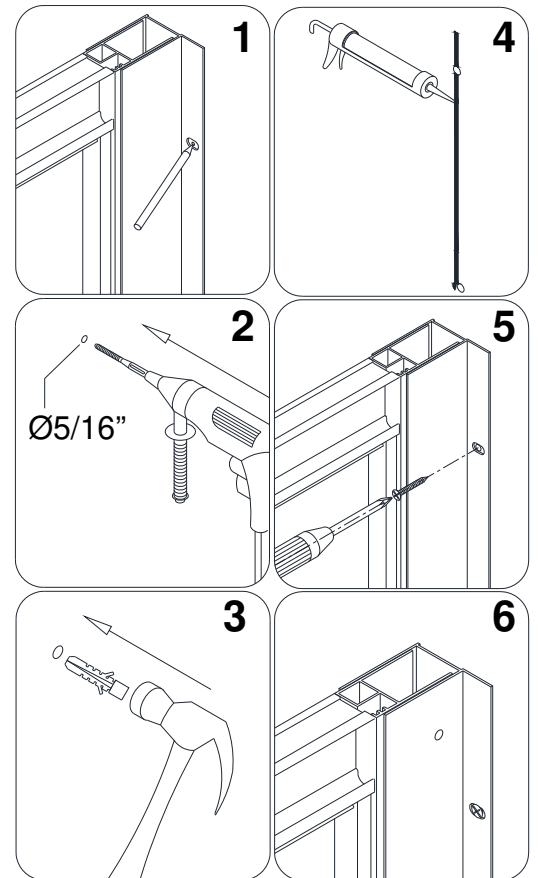


Fig. 9

8. Fasten the top and the bottom **Wheels (11) and (12)** to the **Glass door (06)** . The top wheels can adjust the door level with the adjustable bolt and lock nut. The bottom wheel has a press to fix the wheel on to the bottom **Guide rail (02)**.

Note:

The lock nut of the upper wheel and the press button of the bottom wheel should be pointing up.

See Fig. 10 for details.

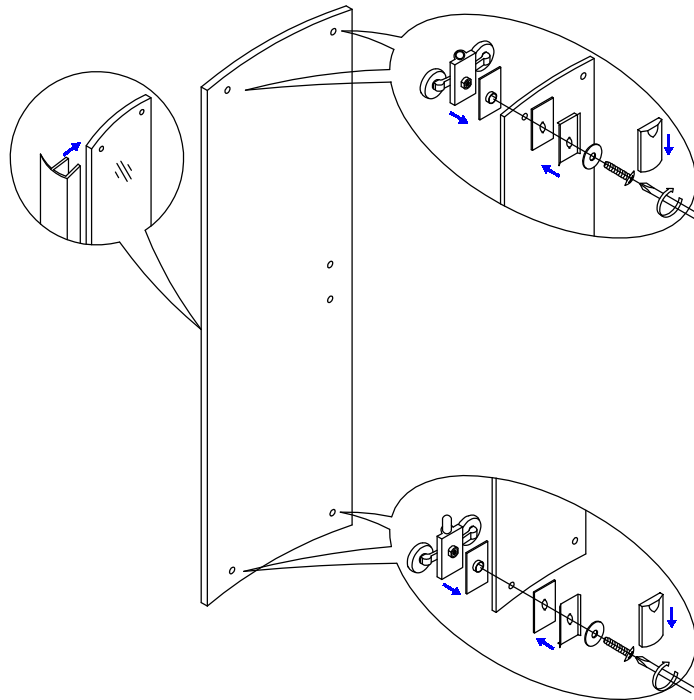


Fig. 10

9. Slide the top door wheels into the top **Guide rail (02)**. Push the bottom wheels into the bottom **Guide rail** by pressing down the button on the **Wheel assembly**.

NOTE:

Use the Phillips screwdriver (**do not use power screwdriver**) to adjust upper wheels, make sure they move smoothly and the door closes tight.

See Fig.11 for details.

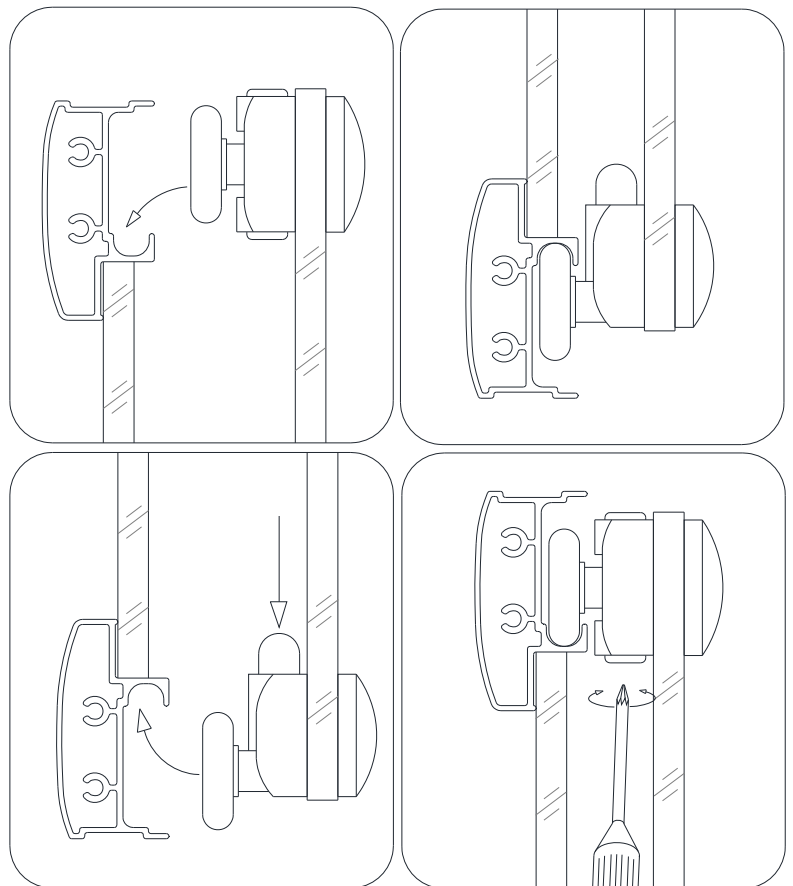


Fig. 11

10. Install the **Handles (10)** to the **Glass door (06)**.

Press the **Anti-water strips (07)** on the vertical edges of the **Stationary glasses (05)** and the vertical edge of the **Glass door** .
Press the **Magnetic strip (09)** on the vertical edges of the **Glass door** for tight closing.

See Fig. 12 for details.

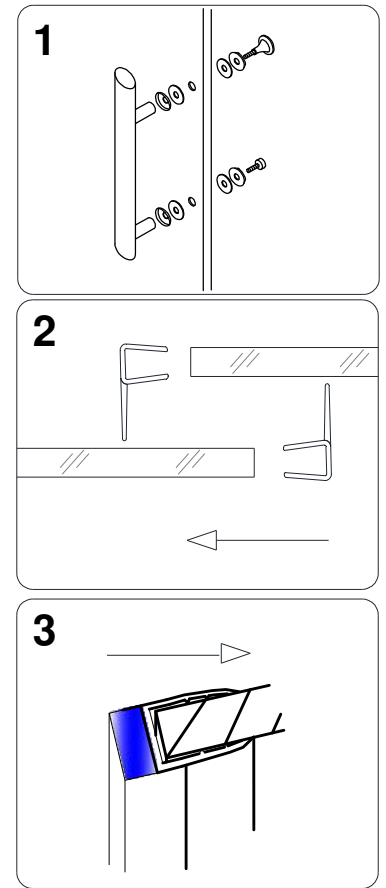


Fig. 12

11. Do the final adjustments of the assembled unit in the **Wall profiles (04)**.

Drill the holes in the **Wall Profile** and **Glass profile (01)** using **Ø 1/8"** drill bit.

ATTENTION:

Do not drill the profiles throughout, only the first layer of the wall profile and the glass profile.

Secure the **Wall profile** to the **Glass profile** using the **Round head screws ST4x12 (15)** .

Cover the exposed screw heads with the **Decorative covers (15)**.

See Fig. 13 for details.

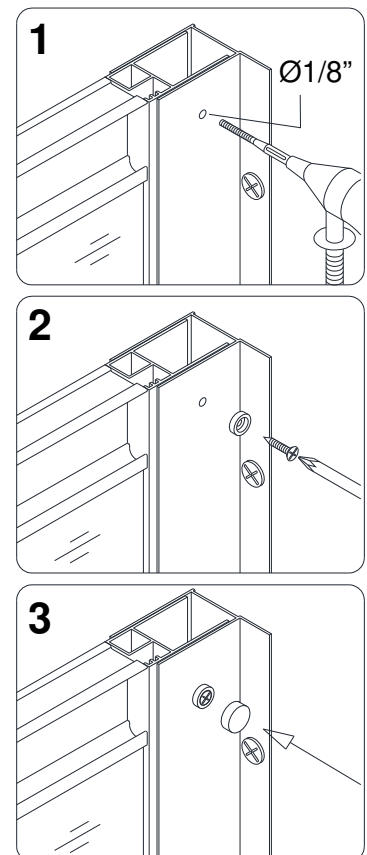
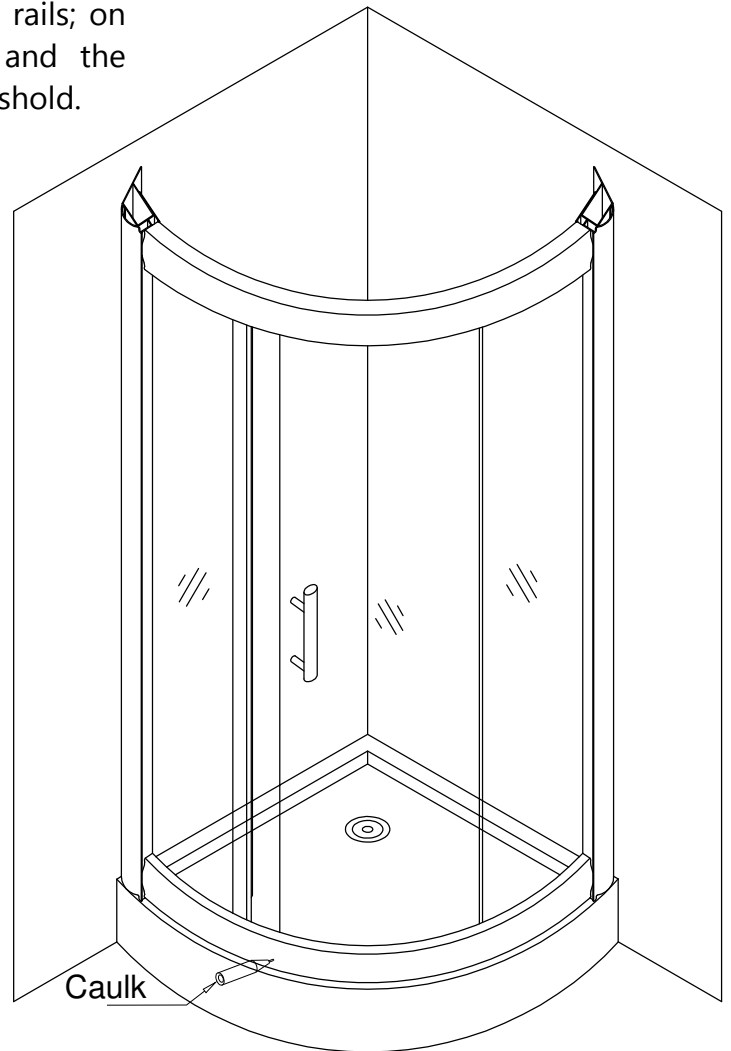


Fig. 13

12. Apply the sealant along the profiles and guide rails; on the seams between the bottom guide rail and the profiles as well as along the shower base or threshold.

See Fig. 14 for details.

Fig. 14



24 HOURS
HEURES

IMPORTANT WARNING: DO NOT USE THE SHOWER ENCLOSURE IN 24HOURS, SO THAT SILICONE GEL CAN GET TOTALLY DRY.

Product Maintenance

To insure long lasting life for your acrylic back walls, wipe them off after each use with a soft cloth. To clean the acrylic back walls use non-abrasive sprays or cream based cleaners. Never use abrasive cleansers, metal brushes or scrapers that could scratch or dull the surface.

To insure long lasting life for your glass shower products, wipe them off after each use with a soft cloth. Rinse and wipe of the glass using either soft cloth or squeegee to prevent soap buildup. Never use abrasive cleaners and cleaning products that contain scoring agent because this may scratch the surface. Never use bristle brushes or abrasive sponges.

To assure a long lasting finish wipe off the metal parts after each use with a soft cloth. Do not use abrasive cleaners or cleaning products containing ammonia, bleach or acid. If accidentally used, rinse the surface as soon as possible to prevent finish peeling or corrosion. After cleaning the shiny finishes, rinse thoroughly and wipe dry with soft cloth. Clean stainless steel surfaces at least once a week. When applying stainless steel cleaner or polish, work with (not across) the grain. Never use abrasive sponge or cloth, steel wool or wired brushes.