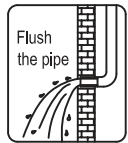
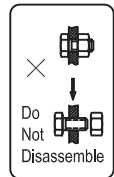
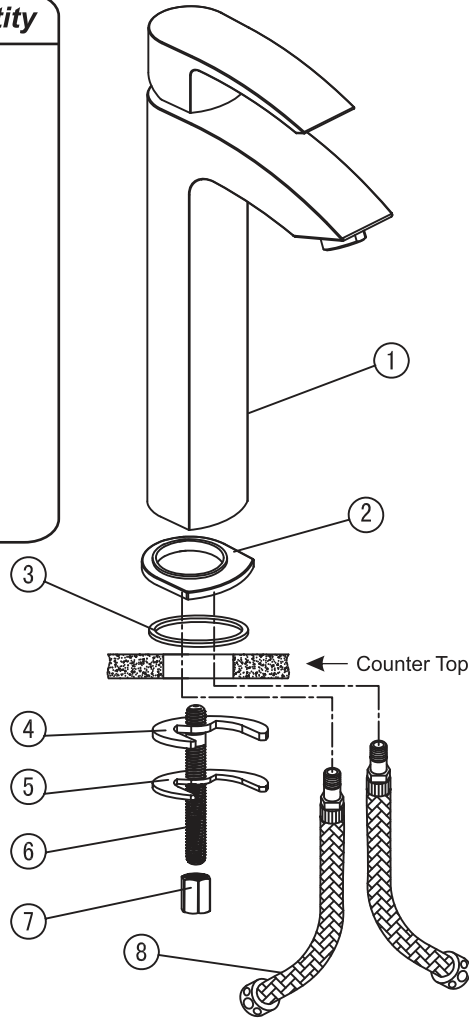
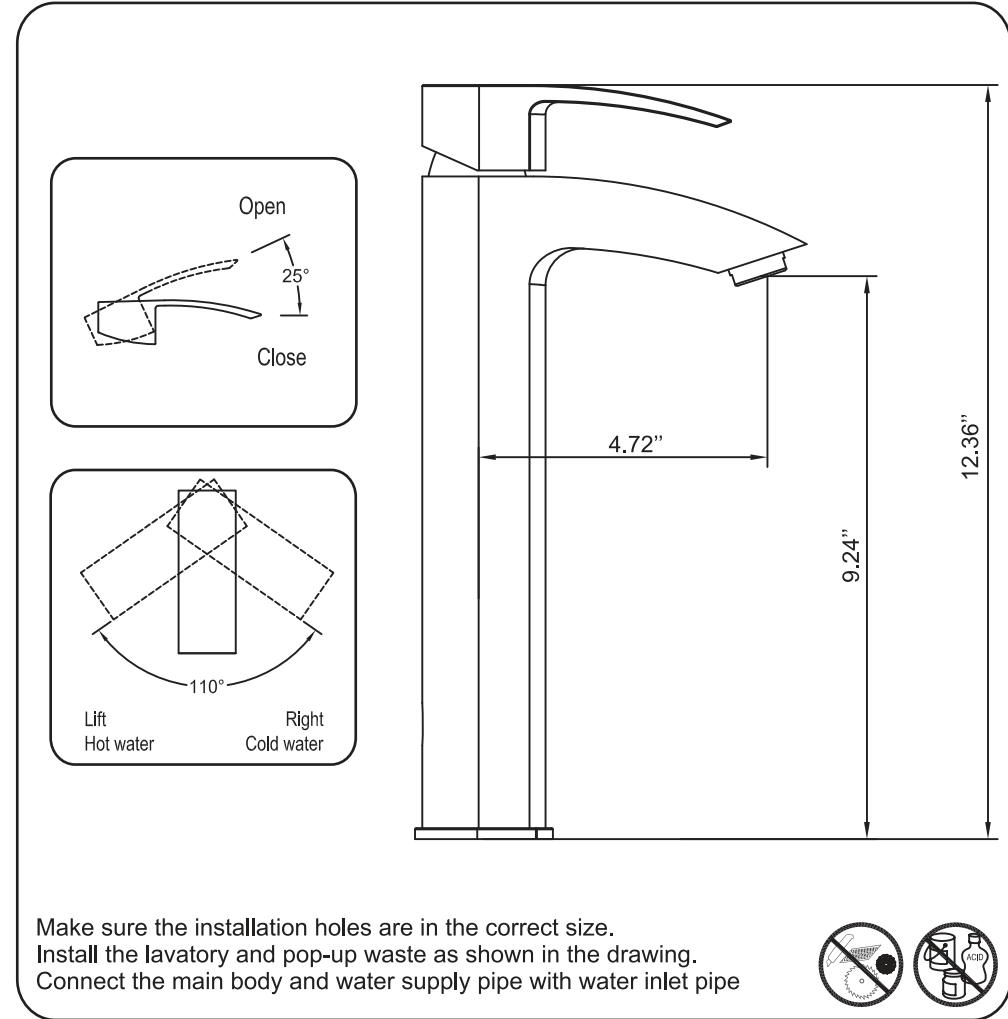


Installation

Code	Parts List	Quantity
1	Faucet Body	1
2	Base	1
3	O-Ring	1
4	Rubber Seal	1
5	Metal Seal	1
6	Fixing Bolt	1
7	Nut	1
8	Hot/Cold Water Lines	2



Dimensions



Make sure the installation holes are in the correct size.
Install the lavatory and pop-up waste as shown in the drawing.
Connect the main body and water supply pipe with water inlet pipe

Usage, Cleaning & Maintenance

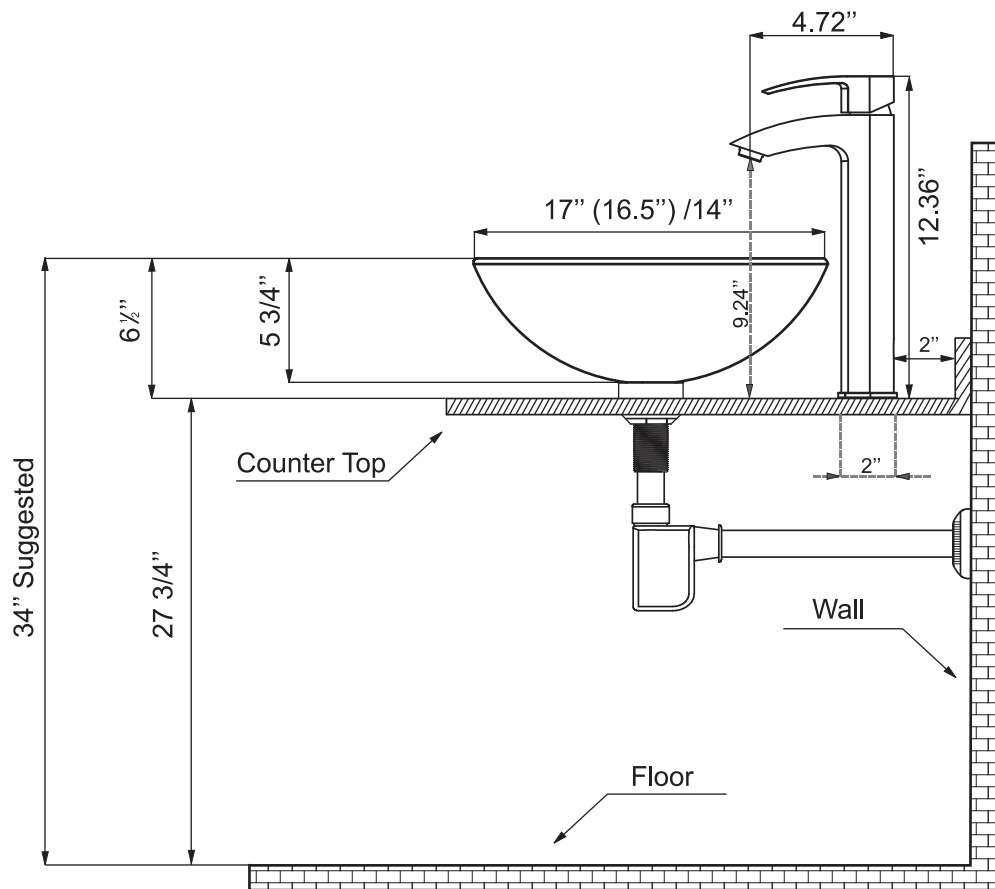
Cleaning & Maintenance

1. Rinse with warm clean water and blot dry with a clean soft cloth only.
2. Never use any detergent, polisher, scraper or an abrasive cloth.
3. Do not use acid detergent.

Usage

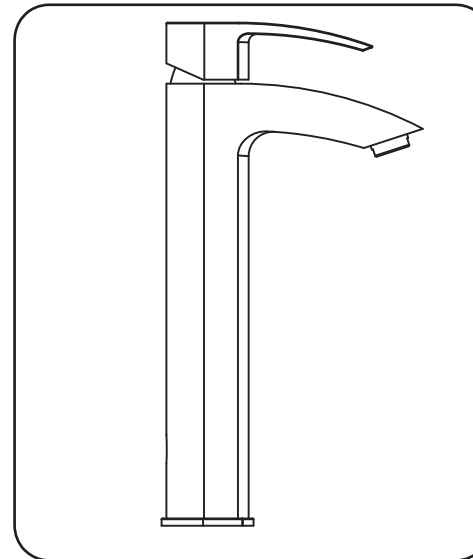
1. Grab the handle and pull outward and to the right to open the faucet.

Do not disassemble the main body, as it has been installed & commissioned correctly & precisely before leaving the factory.
To avoid the faucet from jamming, DO flush the water pipe before installation.
After installation make sure every joint is safely sealed (NO LEAKAGE).
Make sure to connect the hot/cold inlet pipe correctly from front view hot water pipe connecting to the left and cold water pipe connecting to the right .



Kraus®

Product Description and Measurements



Installation Instruction Single Lever washbasin mixer **MODEL-FVS-1810**

About Kraus

Kraus is a leading designer and manufacturer of a broad selection of unique bathroom fixtures and accessories including vessel sinks, faucets, showers, vanities, and bathroom accessories. Kraus incorporates its distinguished style with superior functionality and affordability while maintaining the highest standards of quality in its vast product line.

The Kraus brand name represents a fusion of leading-edge technology and an eye toward design. And we continuously seek new trends while maintaining superior quality at unprecedented prices. The Kraus collection has the widest selection of exquisite styles for any type of décor, from modern residences to countryside homes.

For Kraus, durability and reliability have always been vital components for achieving the highest standards. Every model we offer undergoes rigorous testing and inspection prior to distribution.

The key element of our success is our customers' satisfaction. As a result, our products are in high demand with shoppers worldwide.

Thank You

Dear Valued Customer,
Kraus would like to take this opportunity to thank you for this purchase. It is our sincere hope that you are completely satisfied with your new product. We welcome any questions or comments that you may have and look forward to assisting you with your accessory needs in the future.

Sincerely,
Kraus customer service department.

Prior To Installation Steps

1. Unpack your new product and ensure that all the parts are contained in the packaging.
2. Keep the product in its original box until you ready to install it.
3. The counter top must be flat.
4. Shut off the water supply if replacing a previously-installed vessel sink.
5. Observe all plumbing and building codes in your area.
6. It is recommended that installation of the product be done by a professional plumber.