

**AYANNA 59"
SLIPPER RESIN
FREESTANDING TUB**

Cat. No.
RTSN59



L: 59"
W: 25-1/4"
H: 23 and 27-3/4" (to top of tub)

Water depth: 13" to overflow

**The following is recommended for
RTSN59 tubs:**

- Faucets: part #7901 or 7913

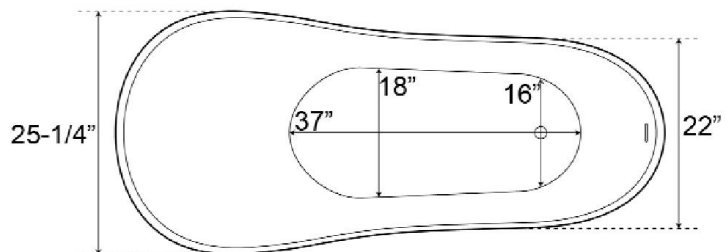
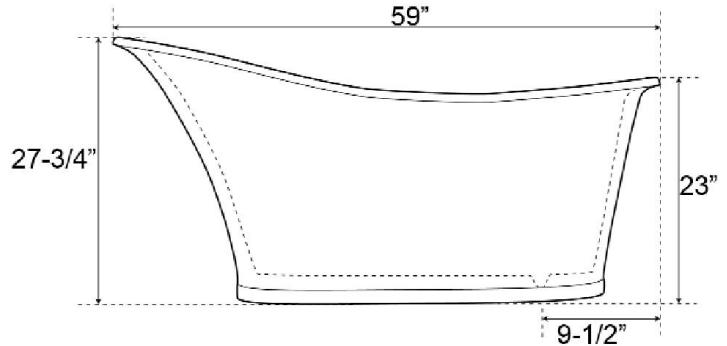
Gallon Capacity : 35
Shipping Weight: 385 lbs.
Empty Weight: 275 lbs.
Filled Weight: 568 lbs.

Features:

- ▶ Poly-resin blend is the same color throughout
- ▶ A ornamental on both side of tub
- ▶ Exterior has easy care matte finish
- ▶ No faucet holes
- ▶ Built-In Adjusters
- ▶ Overflow slot
- ▶ Includes pop-up drain
- ▶ Tub is thoroughly inspected before shipment

Tub Colors:

WH White



Dimensions of fixture are nominal and specifications subject to change without notice.