

**CARLYLE
OVAL RESIN
SOAKING TUB**

Cat. No.
RTOVN70



L: 70-1/2"
W: 33"
H: 19-1/4"

Water depth: 16-1/2" to top of tub

The following is recommended for RTOVN soaking tubs:

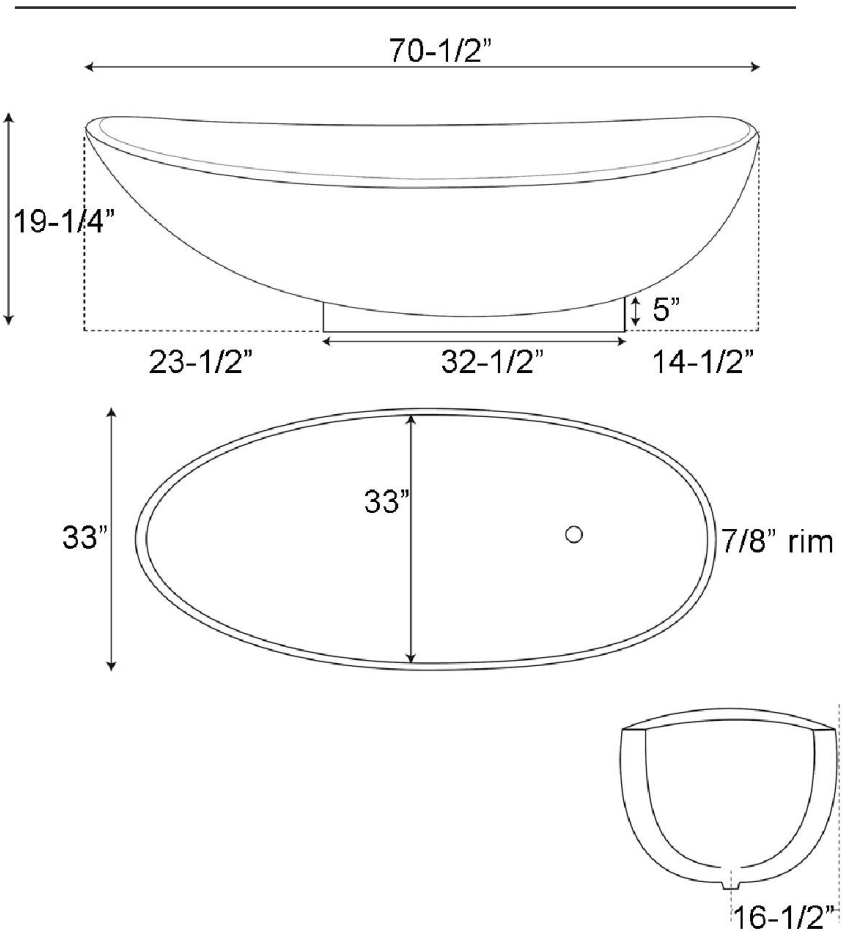
- Faucets: part #4602, #4022, or #4025
- Use with Freestanding Bath Supplies: part #4502-PL
- Freestanding tub fillers: part #7901 or #7913

Gallon Capacity: 43
Shipping Weight: 410 lbs.
Empty Weight: 300 lbs.
Filled Weight: 659 lbs.

Features:

- ▶ Made of poly-resin blend that is the same color throughout
- ▶ 7/8" thick at rim
- ▶ Exterior has easy care matte finish
- ▶ No faucet holes or overflow
- ▶ Tub is thoroughly inspected before shipment

Tub Colors:
WH White



Dimensions of fixture are nominal and specifications subject to change without notice.