

**ELECTRA  
RESIN DOUBLE  
SLIPPER TUB**

Cat. No.  
RTDSN64



L: 64"  
W: 32-1/4"  
H: 25-1/4"

Water depth: 18" to top of tub

**The following is recommended for RTDSN soaking tubs:**

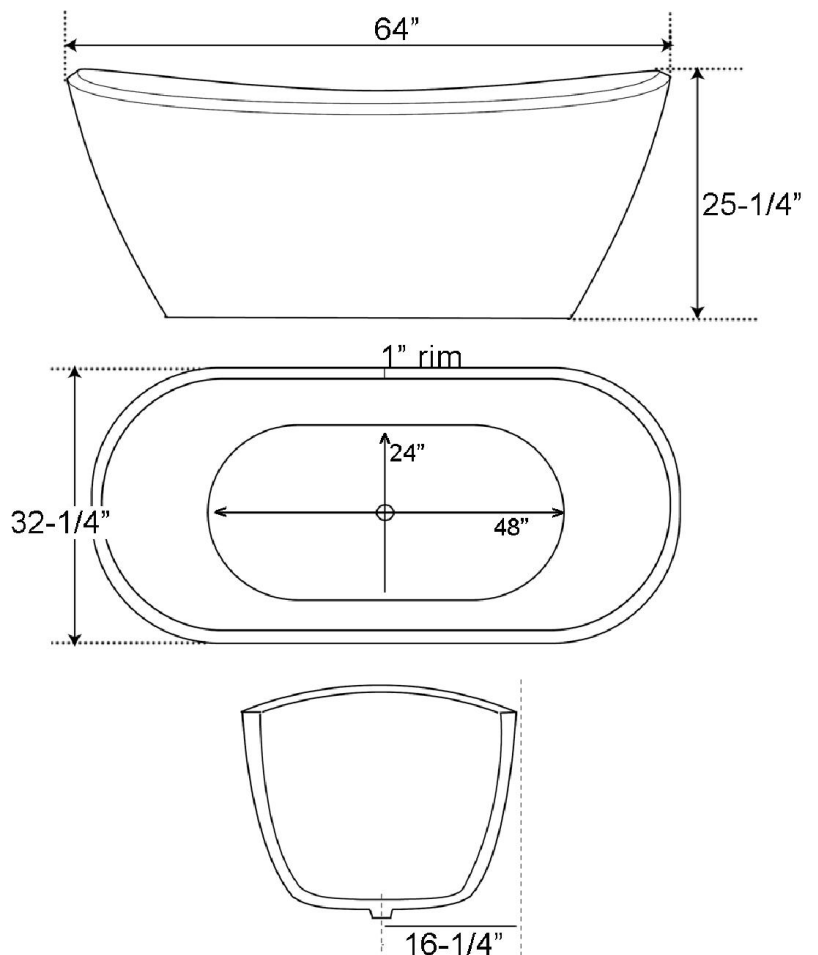
- Faucets: part #7082 or 7088
- Freestanding Bath Supplies: #4502-PL
- Freestanding tub fillers: part #7901 or #7913  
( Do Not Need Bath Supplies)

Gallon Capacity: 72  
Shipping Weight: 419 lbs.  
Empty Weight: 309 lbs.  
Filled Weight: 910 lbs.

**Features:**

- ▶ Made of poly-resin blend that is the same color throughout
- ▶ 1" thick at rim
- ▶ Exterior has easy care matte finish
- ▶ No faucet holes
- ▶ Overflow slot
- ▶ Tub is thoroughly inspected before shipment

**Tub Colors:**  
WH White



Dimensions of fixture are nominal and specifications subject to change without notice.