

**56' EDISON
RESIN DOUBLE
SLIPPER TUB**

Cat. No.
RTDSN56-OF



L: 56"
W: 32"
H: 24"

Water depth: 14-7/8" to overflow



Overflow Connection

The following is recommended for RTDSN soaking tubs:

- Faucets: part #7082 or 7088
- Freestanding Bath Supplies: #4502
- Freestanding Filler: #7901, 7922, or 7952

(Do Not Need Bath Supplies)

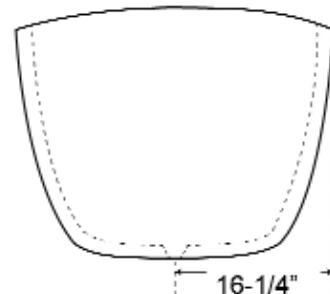
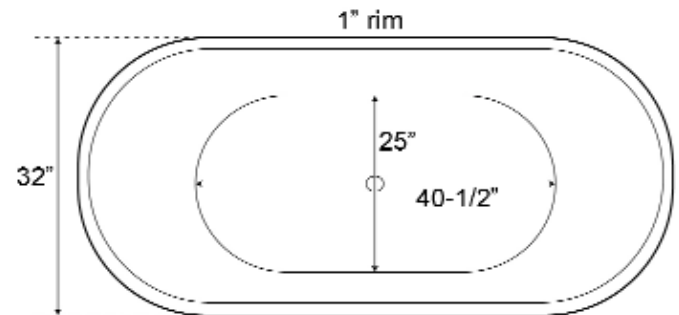
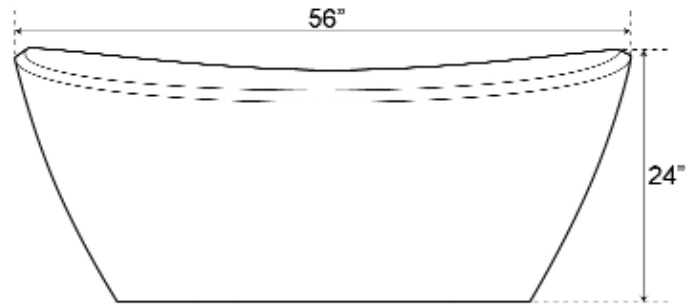
Gallon Capacity: 59
Shipping Weight: 530 lbs.
Empty Weight: 305 lbs.
Filled Weight: 530 lbs.

Features:

- ▶ Poly-resin blend is the same color throughout
- ▶ 1" thick at rim
- ▶ Exterior has easy care matte finish
- ▶ No faucet holes
- ▶ Has overflow slot with built-in drain channel
- ▶ White drain included
- ▶ Tub is thoroughly inspected before shipment

Tub Colors:

WH White



Dimensions of fixture are nominal and specifications subject to change without notice.