

# Brightwork Collection

Dualmount Hammered Bar Sink  
Stainless Steel Satin Matte Finish

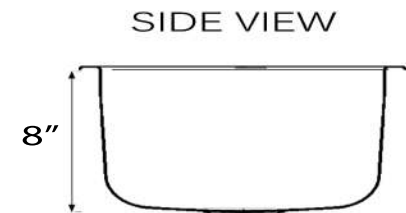
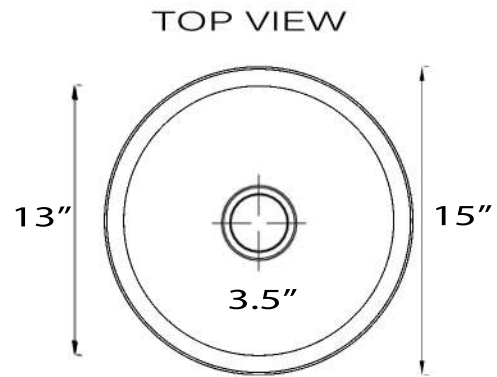
model:

**RS15-SSMF**



**Nantucket**  
S I N K S

www.NantucketSinksUSA.com  
info@nantucketsinksusa.com



| Overall Dimensions | Interior Bowl | Drain Opening | Overflow | Drain position |
|--------------------|---------------|---------------|----------|----------------|
| 15" Diameter       | 13" Diameter  | 3.5"          | No       | Center         |

## FEATURES:

- 18 Gauge Stainless Steel
- 3.5" Drain Diameter Opening (drain not included)
- Can be overmounted or undermounted
- Special Care Required
- Hand Hammered - variations will exist

**\*\*Nominal Dimensions - Actual May Vary by up to .25"**

Project Name: \_\_\_\_\_

Architect / Contractor: \_\_\_\_\_

Job Notes: \_\_\_\_\_

\_\_\_\_\_  
\_\_\_\_\_