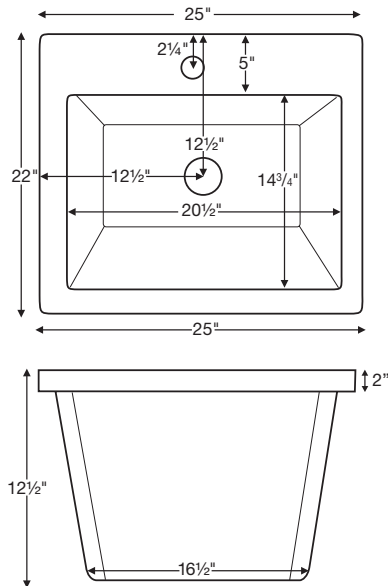


CONSTRUCTION AND STANDARD FEATURES

- Dual-bowl design; 3.5" drain openings pre-drilled.
- Can be undermounted or caulked directly to the countertop without the use of clips or channels.
- No holes drilled standard; up to 4 holes drilled at the factory at no additional charge.
- Durable Lucite® cast acrylic shell is extremely scratch- and stain-resistant yet renewable because the color goes all the way through the material.
- Non-porous surface makes cleaning and sanitizing faster and more effective.
- Multi-layered reinforced backing of thick fiberglass / resin / titanium.
- At least 30% thicker and stronger than other makes.
- 2-year Limited Residential Warranty.

25" x 22" x 12.5"



RLS120

AVAILABLE COLORS

White - Part # RLS120W

Bone, Biscuit - Part # RLS120B

Black, Sterling Silver - Part # RLS120GRP1

OPTIONS

Quick Ship / Priority. Call for availability. - Part #: RQSHIPSNK

Shipping Weight: 17 lbs

Measurements are $\pm 1/2"$ and are subject to change without notice. Data herein supersedes all previous prior to publication date indicated below.