

Brightwork Collection

Hammered Copper Rectangle Bar Sink

Model:

REHC-2.5



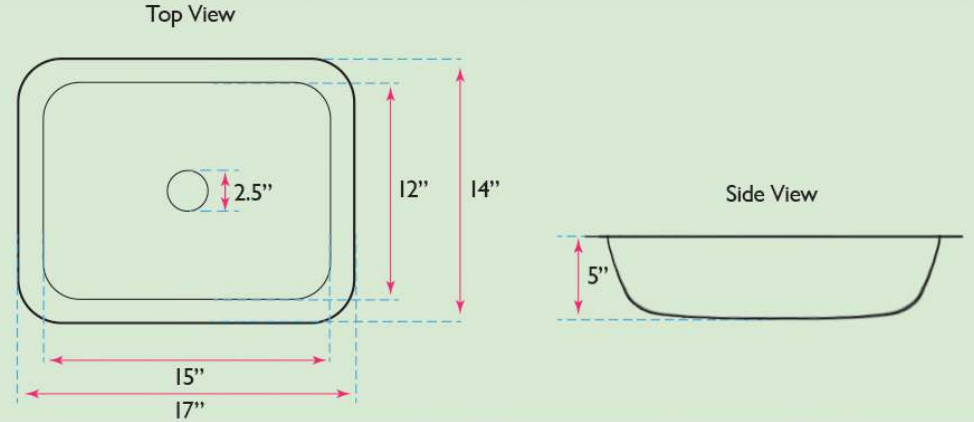
Nantucket

S I N K S

www.NantucketSinksUSA.com
info@nantucketsinksusa.com



SPECS



OVERALL DIMENSIONS	INTERIOR BOWL	EXTERIOR HEIGHT	INTERIOR BOWL DEPTH	DRAIN OPENING
17" x 14"	15" x 12"	5.125"	5"	2.5" Opening

FEATURES:

- Premium Solid Copper Construction Undermount or Overmount Bar/Prep Sink.
- Hand Hammered, Individual Variations Will Exist
- 2.5 Inch Drain Opening - Shown With NS-403VB Drain
- 16 Gauge
- Lacquered Finish To Retain Antique Copper Look. Will Not Patina Over Time. Waxing recommended.
- Limited Manufacturer's Warranty
- Special Care & Maintenance Required
- Nominal Dimensions - Actual May Vary up to .25"
- Professional Installation Recommended

Project Name: _____

Architect / Contractor: _____

Job Notes: _____
