

## Shaw's Original Fireclay Kitchen Sink

ROHL Kitchen Sinks

### RC3618

#### FEATURES

- Acid and alkali resistant glazed surfaces
- Designed to withstand heavy use
- No overflow
- Offset drain opening
- Standard 3 1/2" drain opening
- 1 1/4" drain thickness
- Due to  $\pm 2\%$  dimensions, it is recommended that the cabinet maker wait until your sink is delivered to make the cabinet
- Includes "Shaws Original" badge
- Weight 165 lbs.

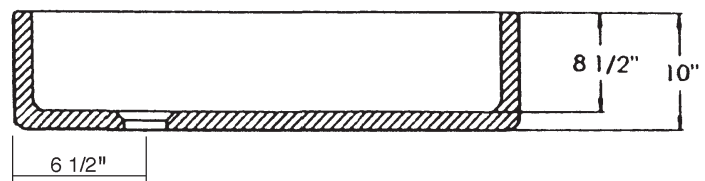
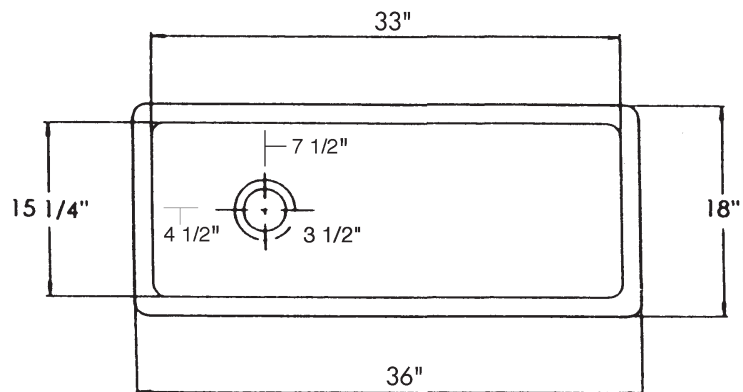
\*NOTE: Due to sink thickness, ISE-type Disposal with Extended Flange #ISE10082 or ROHL 733 Basket Strainer is recommended

#### COLORS

- White
- Biscuit

#### WARRANTY

- 1 year on manufacturing defects
- 10 years on fading/staining



## Shaw's Original Fireclay Kitchen Sink

ROHL Kitchen Sinks

There is no recommended method of fitting a Shaws Original Sink.

Because of the  $\pm 2\%$  dimension possibility of a hand-made product, we recommend that the cabinetmaker wait until the unit that will be installed be on hand before making any cabinetry or counter tops. Hence there is no standard fitting framework or support brackets. The cabinet should be reinforced to hold a 130 lb to 175 lb sink, plus the weight of water. Typically this involved a timber supporting frame with 3/4" plywood deck, or even brick plinth; suitably sized to satisfy the specific requirements. The apron is usually extended 1" to 2" from the front cabinet. We see the sink under mounted under the cabinet top material most of the time, but it can be flush mounted or even raised above the cabinet top. Historically, the fitting of fireclay sinks was dictated by the site and usage requirements, with the plumber/installer making the necessary provision to support the sink.