



Features integral armrests.

Reliance™ R6032ERR

59.25" x 31.75" x 18.5"

Installation: Drop-in

cannot be undermounted

GENERAL SPECIFICATIONS:

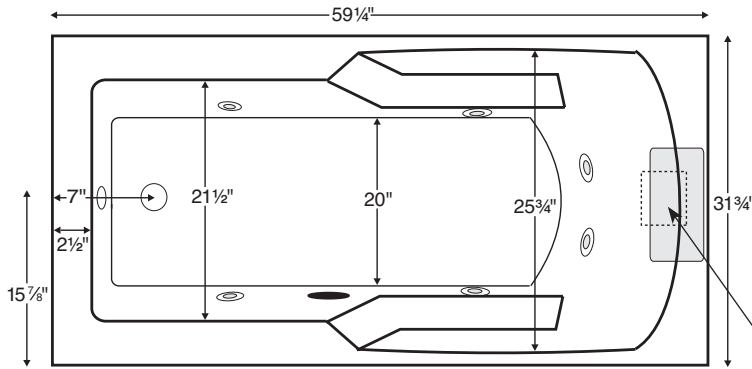
- Material** Acrylic
- Plumbed Weight** 125 lbs / 57 kg
- Soaker Weight** 100 lbs / 45 kg
- Average Fill** 30 gal to above jet level
- Maximum Fill** 52 gal to overflow

NOTE: Filling this tub to the maximum may require an above average size or dedicated water heater.

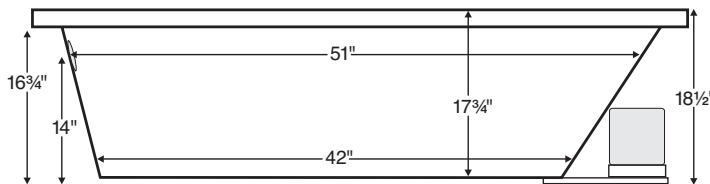
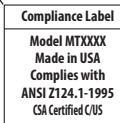
ELECTRICAL SPECIFICATIONS:

- Required Electrical Service** 110 Volt
- Air Bath or Whirlpool** 1-15 amp GFCI
- Whirlpool with Inline Heater** 1-15 amp GFCI
- Soaker with Inline Heater** 1-15 amp GFCI
- Air Bath with Inline Heater** 2-15 amp GFCI

CSA Certified C/US; ANSI Z124.1 for plastic tubs and ANSI 112.19.7 for whirlpool components.



Shown with Whirlpool Package.



PACKAGES AND OPTIONS

Hydrotherapy Package	Package Contents	Part #
Soaker	soaking bath - no jets; textured bottom	R6032ERRS
Whirlpool	6 point-massage jets, 1-bhp pump	R6032ERRW
Air Bath	12 air jets, heated air blower, pre-leveled foam base (increases overall height 2-3")	R6032ERRA

OPTIONS

Standard Colors - White

Color Upgrade - Biscuit (RCOLOR)

Quick Ship - reduces lead time - call for availability

Soaker or Whirlpool - ships within 48 hours (RQSHIP)

Air Bath - ships within 72 hours (RQSHIPPA)

Inline Heater - Whirlpool (RHTI)

Inline Heater with Pump - Soaker or Air Bath (RHTISOAK)

Lift & Turn Drain Kit -

Chrome (RWOC); Brushed Nickel (RWOBN), White (RWOW)

Tile Flange -

Field-Installed (RTFKNI)

Kit includes ABS material and adhesive for 3 sides of coverage

IMPORTANT INFORMATION

- Before ordering or installing, please consider future access to equipment.
- Add bedding compound to fully level and support bottom of tub.
- Tubs equipped with an air bath or a pre-leveled foam base are designed to rest on the floor *without* bedding compound, provided the floor is level.
- Overall tub height is increased by approx. 2-3" when tub is equipped with any air bath package or when pre-leveled foam base or framing system is ordered.
- Please measure tub **on-site** before building tub decking.
- Jet, pump & blower locations are predetermined and cannot be changed.
- Suction and control locations may vary.
- Specifications and configurations are subject to change without notice.
- Measurements are $\pm 1/2"$ and are subject to change without notice.
- Measurements herein supersede all others published prior to publication date shown below.