

Features integral armrests.

# Reliance™ R6030ERR

60" x 29.75" x 17.375"

**Installation:** Drop-in

*cannot be undermounted*

**GENERAL SPECIFICATIONS:**

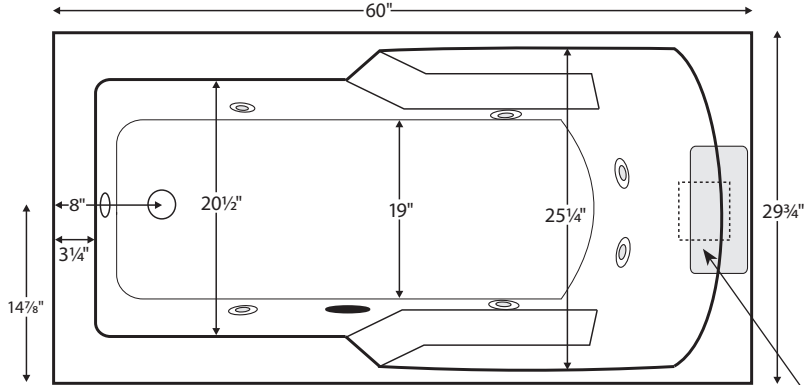
- Material** Acrylic
- Plumbed Weight** 109 lbs / 50 kg
- Soaker Weight** 85 lbs / 39 kg
- Average Fill** 28 gal to above jet level
- Maximum Fill** 46 gal to overflow

*NOTE: Filling this tub to the maximum may require an above average size or dedicated water heater.*

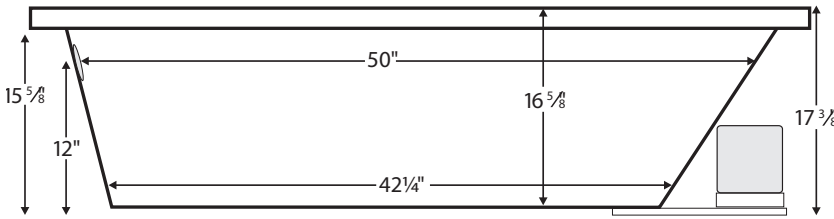
**ELECTRICAL SPECIFICATIONS:**

- Required Electrical Service** 110 Volt
- Air Bath or Whirlpool** 1-15 amp GFCI
- Whirlpool with Inline Heater** 1-15 amp GFCI
- Soaker with Inline Heater** 1-15 amp GFCI
- Air Bath with Inline Heater** 2-15 amp GFCI

CSA Certified C/US; ANSI Z124.1 for plastic tubs and ANSI 112.19.7 for whirlpool components.



Shown with Whirlpool Package.



**Compliance Label**  
Model MTXXXX  
Made in USA  
Complies with  
ANSI Z124.1-1995  
CSA Certified C/US

**PACKAGES AND OPTIONS**

Hydrotherapy Package	Package Contents	Part #
<b>Soaker</b>	soaking bath - no jets; textured bottom	<b>R6030ERRS</b>
<b>Whirlpool</b>	6 point-massage jets, 1-bhp pump	<b>R6030ERRW</b>
<b>Air Bath</b>	12 air jets, heated air blower, pre-leveled foam base (increases overall height 2-3")	<b>R6030ERRA</b>

**OPTIONS**

**Standard Colors** - White

**Color Upgrade** - Biscuit (RCOLOR)

**Quick Ship** - reduces lead time - call for availability

Soaker or Whirlpool - ships within 48 hours (RQSHIP)

Air Bath - ships within 72 hours (RQSHIPPA)

**Inline Heater** - Whirlpool (RHTI)

**Inline Heater with Pump** - Soaker or Air Bath (RHTISOAK)

**Lift & Turn Drain Kit -**

Chrome (RWOC); Brushed Nickel (RWOBN), White (RWOW)

**Tile Flange -**

Field-Installed (RTFKNI)

*Kit includes ABS material and adhesive for 3 sides of coverage*

**IMPORTANT INFORMATION**

- Before ordering or installing, please consider future access to equipment.
- Add bedding compound to fully level and support bottom of tub.
- Tubs equipped with an air bath or a pre-leveled foam base are designed to rest on the floor *without* bedding compound, provided the floor is level.
- Overall tub height is increased by approx. 2-3" when tub is equipped with any air bath package or when pre-leveled foam base or framing system is ordered.
- Please measure tub **on-site** before building tub decking.
- Jet, pump & blower locations are predetermined and cannot be changed.
- Suction and control locations may vary.
- Specifications and configurations are subject to change without notice.
- Measurements are  $\pm 1/2"$  and are subject to change without notice.
- Measurements herein supersede all others published prior to publication date shown below.