

XtremeAIR®

The Advanced Range Hoods

INSTALLATION GUIDE & USER'S MANUAL

ISLAND MOUNT RANGE HOOD

Model: Pro-X Series PX06-136 / 142 / 148
PX04-136 / 42



IMPORTANT: READ AND SAVE THESE INSTRUCTIONS

FOR RESIDENTIAL & INDOOR USE ONLY

TABLE OF CONTENTS

1	IMPORTANT SAFETY INSTRUCTIONS.....	2
2	HEIGHT & CLEARANCE	3
3	VENTING REQUIREMENT	3
4	VENTING METHODS	3
5	ELECTRICAL REQUIREMENT	3
6	TOOLS YOU WILL NEED.....	3
7	PARTS SUPPLIED.....	4
8	GENERAL INSTALLTION DIAGRAM	4
9	INSTALLATION.....	5
10	OPEN & REMOVE BAFFLE FILTERS.....	6
11	RANGE HOOD OPERATION.....	6-8
12	SPECIFICATION.....	8
13	TROUBLE SHOOTING	9
14	USE & CARE INFORMATION	9
15	MAINTENANCE	10
16	PRODUCT WARRANTY.....	11

CAUTION

1. IMPORTANT SAFETY INSTRUCTIONS

IMPORTANT NOTICE: The Important Safety Instructions and warnings in this manual are not meant to cover all possible problems and/or situations that can occur upon installation of this unit. Use extreme caution when installing, maintaining or operating this or any other appliance. Contact the XtremeAir USA, LLC, Customer Support Team at 1.714.554.9000 or email: support@XtremeAirUsa.com with any concerns or situations that you do not understand. **The manufacturer disclaims all liability for any damage or injury caused as a result of not following instructions for installation contained in this manual.**



DANGER

To avoid the possibility of an explosion or fire, **do not** store or use combustible, flammable or explosive vapors and liquids (such as gasoline) inside or in the vicinity of this or any other appliance. Keep all combustible items (such as aerosol cans) away from cook top burners, ovens and range hoods. Do not store flammable or explosive materials in adjacent cabinets or surrounding areas.

Disclaimer: *The manufacturer and/or distributor/reseller decline all responsibility in the event of failure to observe the instructions provided for installation, maintenance and suitable use of the product. The manufacturer and/or distributor/reseller shall NOT be responsible for any injury due to negligence and the warranty of the unit shall automatically be voided due to failure to observe proper safety and installation procedures. The manufacturer and/or distributor/reseller will not be held responsible for any damages to personal property or real estate or any bodily injuries whether caused directly or indirectly by the range hood.*

WARNING - TO REDUCE THE RISK OF FIRE, ELECTRIC SHOCK, OR INJURY TO PERSONS, OBSERVE THE FOLLOWING:

*Use this unit only in the manner intended by the manufacturer. If you have questions, contact the manufacturer.

PRODUCT: Do not remove permanently affixed labels, warnings or plates from the product. This may void the warranty. Do not try to alter the hood.

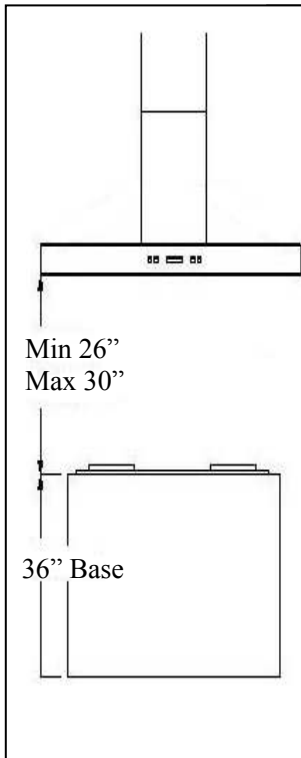
INSTALLATION: The installation in this manual is intended for qualified installers, service technicians or persons with a similar qualified background. Installation and electrical wiring must be provided by qualified professionals and in accordance with all applicable codes and standards, including fire-related construction. When cutting or drilling into the wall or ceiling; do not damage electrical wiring and other utilities. It is recommended that two or more people assist with the installation. The range hood may have very sharp edges; please wear protective gloves if it is necessary to remove any parts for installing, cleaning or servicing.

VENTING: For kitchen range or cook top ventilating use only. **DO NOT** use units to exhaust hazardous or explosive materials and vapors. Ducted fans **MUST** always be vented to the outdoors. **DO NOT** vent exhaust into spaces between walls, crawl spaces, ceiling, attics and/or garages. Use only metal ductwork. Old duct work should be cleaned or replaced if necessary to avoid the possibility grease fires. Check all joints on ductwork to insure proper connections. All joints should be properly taped.

ELECTRICAL: All electrical wiring must be properly installed, insulated and grounded. **TURN POWER OFF** and un-plug cords from outlet before servicing and/or cleaning to insure your safety.

OPERATION: Caution is suggested when using high settings on cooking range. Keep all fan, baffle, spaces, filter, grease tunnel, oil container and grease-laden surfaces clean. Grease should not be allowed to accumulate on fan, baffle, spaces, filter, grease tunnel, and oil container. Never allow the filters to become blocked or clogged. Do not allow foreign objects such as cigarettes and/or napkins, to be absorbed into the hood. Clean ventilating fans frequently. Grease should not be allowed to accumulate on the fan or filters.

2. HEIGHT & CLEARANCE



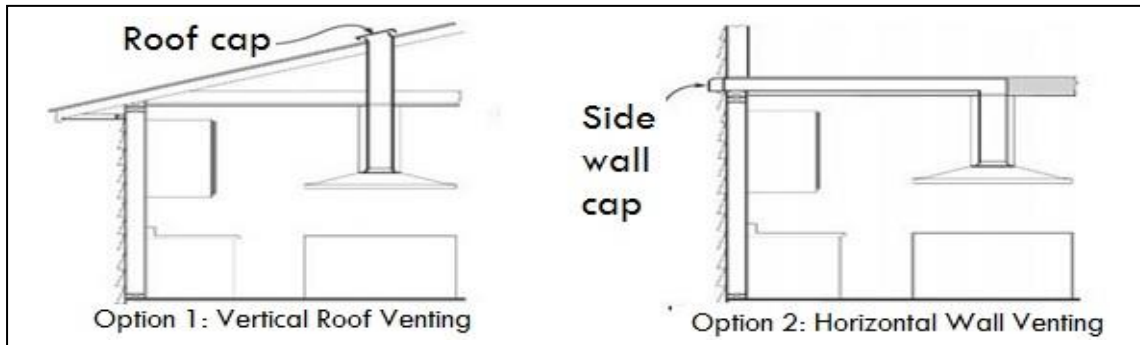
IMPORTANT:

- NEVER exhaust air or terminate ductwork into crawl spaces, between walls, ceiling, attics or garages. **All exhaust must be ducted to the outside.**
- Hood mounted too low could result in heat and/or fire hazard. Hoods mounted too high will be hard to reach and will lose its performance and efficiency.
- **Use metal ductwork only.**
- **DO NOT use plastic ventilation.**
- **DO NOT use 4" (10.2 cm) laundry-type wall caps.**
- Fasten all connections with sheet metal screws. Tape all joints with aluminum tape.
- Use caulking to seal exterior wall or roof openings around the cap.
- The ventilation system must have a damper. If the roof or wall cap has a damper, you may opt out from usage of your range hood supplied damper (for some models only).

For the most efficient & quiet operation:

- A distance of 26" to 30" is recommended between stove top and the bottom of range hood.
- It is recommended that the range hood be vented vertically through the roof with a minimum of a 6" or larger vent work.
- ALWAYS, when possible, reduce the number of transitions and turns. If a long duct run is required, increase duct size from 6" to 7" or 8". If a reducer is used, install a long reducer instead of a pancake reducer. Reducing duct size will restrict/decrease airflow.
- The size of the vent should be uniform.
- **Use no more than three 90° elbows.**
- Make sure there is a minimum of 24" (61 cm) of straight vent between the elbows if more than one elbow is used.

4. VENTING METHODS



5. ELECTRICAL REQUIREMENTS

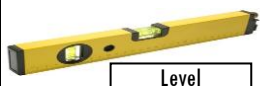
IMPORTANT: Observe all governing building codes and city ordinances.

A 120 volt, 60 Hz., AC, 15-amp outlet is needed (fused electrical circuit is required)

It is the customer's responsibility:

1. To contact a qualified electrical installer. To assure that the electrical installation is adequate and in conformance with National Electrical Code, ANSI/ NFPA 70 — latest edition*, or CSA Standards C22. 1-94, Canadian Electrical Code, Part 1 and C22. 2 No. 0-M91 - latest edition and all local codes and ordinances.

6. TOOLS YOU WILL NEED



Level



Powered Screwdriver



Aluminum Tape



Pencil or Marker



Wall/Keyhole Saw



Phillip Screwdriver



Tape Measure



Cabinet Jack

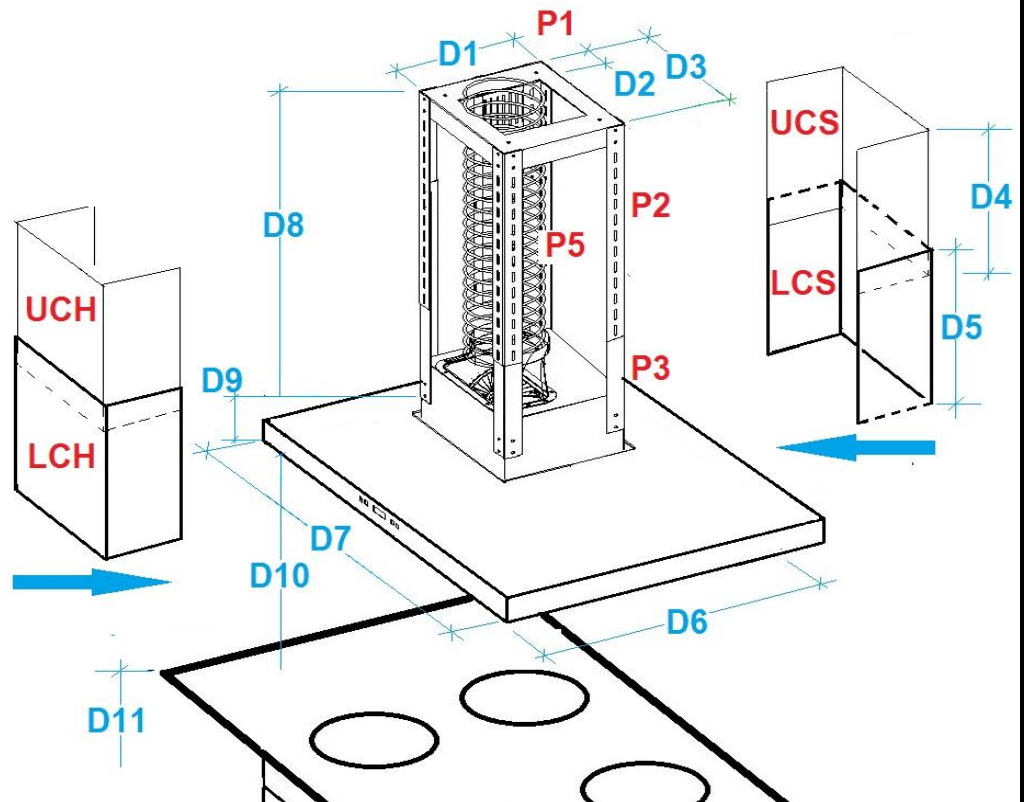


OPTIONAL
 (2) 2" x 4" x 24" stud
 (1) 24" x 36"/42" x 3/4" plywood
 Note: about 6" wider than stove is ok

7. PARTS SUPPLIED

PART SKETCH	DESCRIPTION
	P 1 CEILING MOUNT BRACKET (W/18 ATTACHED BOLTS)
	P 2 (4) MULTI-HOLE BRACKET (W/ 16 ATTACHED BOLTS)
	P 3 (4) LOWER CHIMNEY BRACKET (W/ 16 ATTACHED BOLTS)
	(4) 1 3/4" SCREWS
	P 5 6" AL. PIPE 8" AL. PIPE PX06-148 (NOT PROVIDED)
	(2) DUCT CLAMP (EXCEPT PX06-148)
	REMOTE CONTROL (NOT FOR PX04 MODELS)
	U S C UPPER "SLOT" CHIMNEY
	U H C UPPER "HOOK" CHIMNEY
	L S C LOWER "SLOT" CHIMNEY
	L H C LOWER "HOOK" CHIMNEY
	MANUAL BOOK

8. GENERAL INSTALATION DIAGRAM



DIMENSION TABLE

D1	D2	D3	D4	D5	D6	D7	D9
10.5 inch	3.8 inch	12 5/8 inch	23.0 inch	19.0 inch	23.6 inch	35.4/41.3/ 47.2 inch	5.75 inch
Ceiling mount bracket depth	Ceiling mount bracket perimeter height	Ceiling mount bracket width	Upper chimney length	Lower chimney length	Body depth	Body width (136, 142, 148)	Body height

D8: Total bracket length. See formula below

$$D8 = \text{CEILING HEIGHT FROM FLOOR} - D11 - D10 - D9$$

D10: Clearance from bottom of hood to cook top (26" to 30" as per your design)

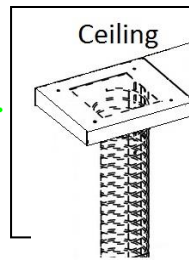
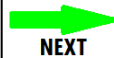
D11: Cook top height from floor (36")

IMPORTANT: DUE TO THE WEIGHT AND SIZE OF THIS UNIT, CEILING BRACKET MUST BE MOUNTED TO A WEIGHT-BEARING CEILING (SUPPORT SYSTEM OR FRAMEWORK BEING USED IS STABLE AND SECURE ON THE CEILING) ABLE TO SUPPORT AT LEAST TWICE THE WEIGHT OF THE HOOD.

9. INSTALLATION

STEP #1: MARKING "CEILING BRACKET"

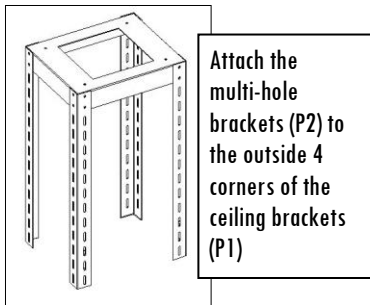
- Put a thick, protective covering over counter top, cook top or Range to protect from damage or debris.
- Find and mark the center point directly above your cook top.
- Place the ceiling bracket on the ceiling around the center point. Make sure it is square with your cook top.
- Trace the outline of the ceiling bracket onto the ceiling.
- Trace a circle where the ducting will go.
- Mark the 4 pre-holes where you will insert the screws.



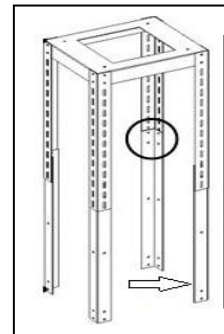
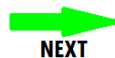
STEP #2: INSTALLING "CEILING BRACKET"

- Cut out a hole in the ceiling where the ducting will go.
- Prepare support framework for ceiling bracket.
- Place chimney bracket against ceiling & screw it into place.
- Drop the ducting and electrical work through the ceiling.

STEP #3: INSTALLING "SUPPORT BRACKET"

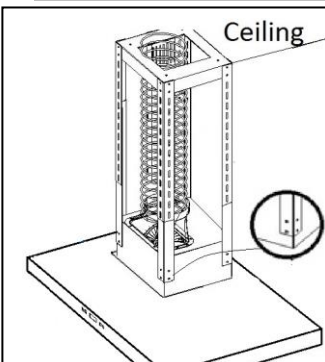


Attach the multi-hole brackets (P2) to the outside 4 corners of the ceiling brackets (P1)



Attach lower chimney bracket (P3) vertically to the inside of the 4 multi-hole brackets (P2) installed in the previous step. Make sure to adjust to its "TOTAL BRACKET LENGTH". Refer to dimension table page 4.

STEP #4: ATTACHING HOOD BODY



- Have a third person raise up the island range hood into its position. Hood should be directly under the support brackets.
- Attach the hood to the support brackets at all 4 corners with bolts.
- Connect the ductwork to the range hood. Use aluminum tape to secure the pipe joint area.
- Connect power plug.



IMPORTANT

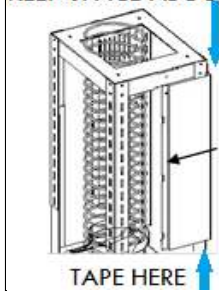
Before moving to STEP5, do the following:

- Make sure the damper is able to open **FULLY** when the hood is on.
- Test run to see if there is any air leaks / abnormal noise.

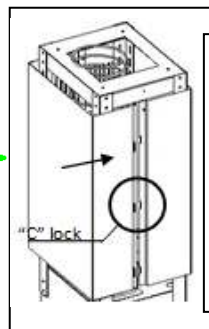
HINT: Due to the heavy weight of this range hood, use of a vertical jack to lift and support the hood in place is highly recommended.

STEP #5: INSTALLING CHIMNEYS - DO NOT REMOVE CHIMNEY PROTECTIVE FILM UNTIL FINISHED INSTALLATION

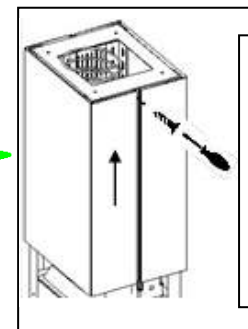
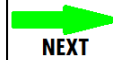
KEEP SPACE ABOUT 1"



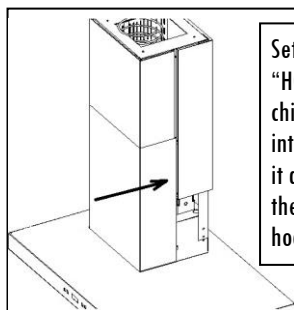
Slide upper "hook" chimney (UHC) in, leave about 1" from the ceiling. Use tape to hold it up from falling down if you don't have any helper to hold it.



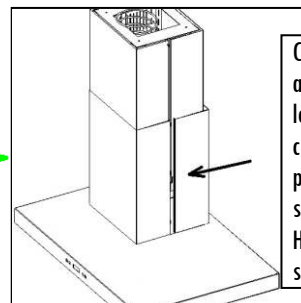
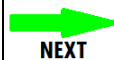
Slide upper "slot" chimney (USC) into place connecting the 6 "C" locks - 3 on each side.



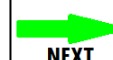
Slide the entire chimney up and secure with the ceiling bracket using the 2 provided bolts - 1 on each side.



Set the lower "HOOK" chimney piece into place so it drops into the top of the hood.

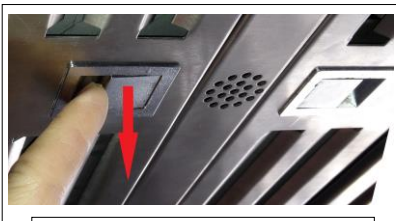


Carefully slide and drop lower "SLOT" chimney into place. Make sure SLOT and HOOK are snapped.



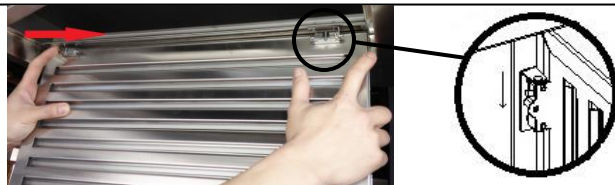
CAREFULLY REMOVE CHIMNEY PROTECTIVE FILM

10. OPEN & REMOVE BAFLE FILTERS



OPEN: While holding a baffle filter, pull baffle filter lock down.

NEXT



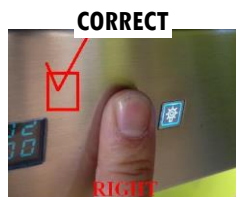
TO REMOVE: While a baffle filter is open, use both hand to hold both end of it then use your index finger (either left or right) to push baffle filter hinge pin toward middle of baffle filter to release it.

TO INSTALL: Please reverse the process.

11. RANGE HOOD OPERATION

IMPORTANT: BEFORE YOU BEGIN

1. This unit is equipped with TOUCH SENSITIVE CONTROLS so please DO NOT PRESS. A light touch and hold on the required button for a matter of a (1) one second is all that is needed.
2. TOUCH THE ENTIRE BUTTON. See the following illustration:



Entire button covered and lightly touched.

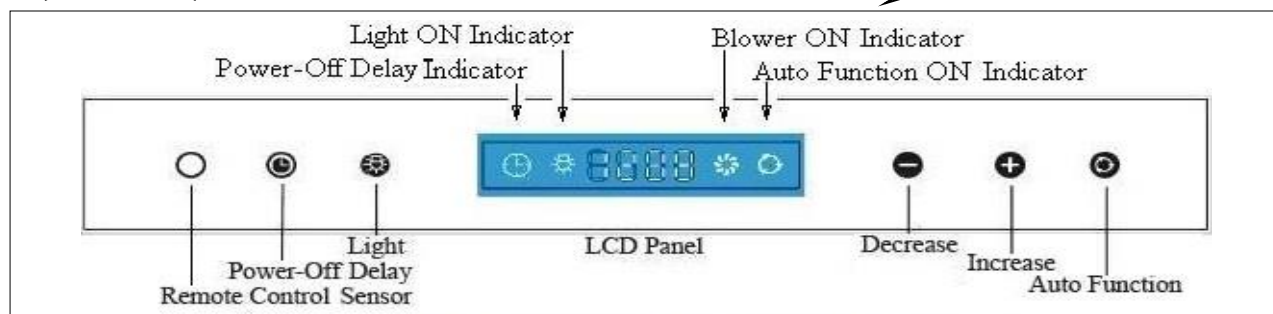
VS.



Button is NOT completely covered.

For best results, Start the range hood before cooking and allow it to operate several minutes after the cooking is completed to clear all smoke and odors from the kitchen.

TYPE 1 (PX06 Models): SCREEN TOUCH CONTROL

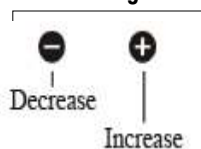


TYPE 1: TOUCH SCREEN CONTROL

Importance Notice:

1. **AUTO FUNCTION ACTIVE:** Once "Auto Function" is on or touched, all other functions will be DE-ACTIVATED and will NOT be working. Note: The auto function is no longer available on products after 2016.
2. **2 1/2 HOUR AUTOMATIC SHUT OFF:** This range hood will be shut off for every approx. 2 1/2 hours. You can re-start operation as usual after it was shut off.
3. **SCREEN TURN OFF:** This range hood is equipped with remote control and smoke sensor that will self-calibrate within 5 seconds when the range hood is first electrically activated. Self-calibration will be set when the range hood beeps. LCD panel **WILL TURN OFF** automatically after a period of inactivity and every time when plugged into electrical outlet.

A. Activating Normal Blower Function:



While the range hood is off,
Touch (+) to start from lowest speed, F1
Touch (-) to start from Highest speed, F4
Touch (+) or (-) again to change the blower speed as indicated in LCD panel

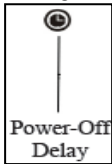
00 = blower off
F1 = quiet speed
F2 = low speed
F3 = medium speed
F4 = high speed

B. Activating Light Function:



Touch *Light* button to turn the lights on or off.

C. Activating Power-Off Delay Function:



1. While the range hood is on and the blower is running in normal mode, touch *Power-Off Delay* button to activate delay off timer.
2. Adjust to desired period of delay of timer by touching (-) or (+) button quickly (1-15 minutes). Timer begins to countdown immediately, when it reaches 0, the blower will shut off.
3. Display screen will show flashing clock if timer is working.

D. Activating Smoke Detector Function:



While the machine is off, touch *Auto Function* button to activate the smoke detector auto function mode.

NOTE: this function will only work when there's a lot of smoke. Once this button is touched, all other buttons are not active.

Note: The smoke detector/ auto function is no longer available on products after 2016.

E. Changing the clock (only available in some models)

While the blower is off:

1. Touch power sign once. The hour indicator will be flashing.
2. Use (+) or (-) to adjust to the desired hour.
3. Touch power sign again for the "minutes". Indicator will be flashing.
4. Use (+) or (-) to adjust to desired minutes.
5. Touch power sign again to clear the screen. Touch light button to validate. To check time, touch light button.

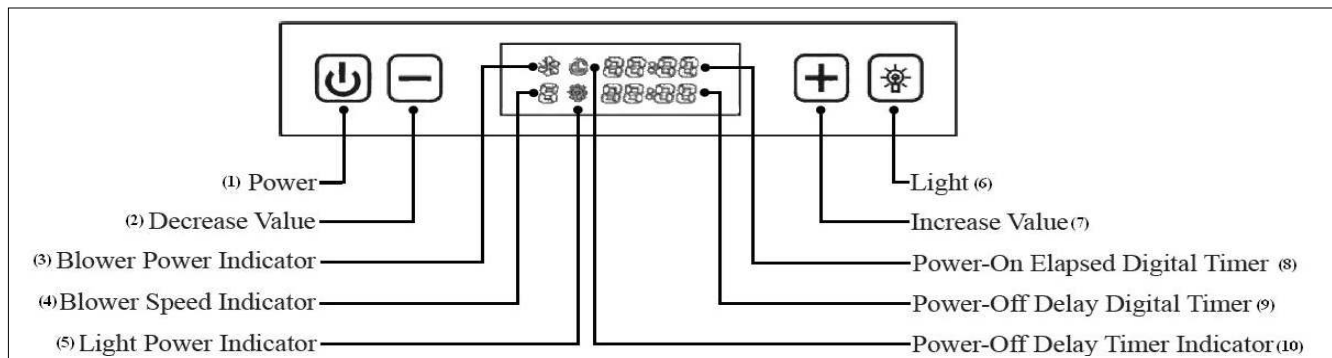
NOTE: The clock display is only available for product manufactured after October 2013.

F. Remote Control Sensor:



1. Remote control sensor receives infrared (IR) signal from the remote control. The maximum distance for IR data transmission is 10 feet and requires direct line of sight. The transmission distance may vary depending on temperature and remote control battery condition.
2. Light settings are independent from other settings (including power-off delay) and lights have to be manually turned on or off.
3. The system saves user configurations, settings such as light, timer and blower (motor) speed will remain the same the next time it is turned on.

TYPE 2 (PX04 Models): TOUCH BUTTON



Importance Notice:

4. **2 1/2 HOUR AUTOMATIC SHUT OFF:** this range hood will be shut off for every approx. 2 1/2 hour. You can re-start operation as usual after it was shut off.
5. **30 HOUR REMINDER:** after 30 hours of use, the timer (8) will be flashing. To clear it, please refer to "G-To Clear Cleaning Reminder" on page 7.

TYPE 2: TOUCH BUTTON

1. (1) To power ON/OFF, and to activate power-off delay timer.
2. (2) To decrease blower (motor) speed, decrease timer value, and enter timer mode.
3. (7) To increase blower (motor) speed, increase timer value, and cumulative timer reset.
4. (3) Blower (motor) is running light indicator.
5. (4) Shows current blower (motor) speed (1-4).
6. (5) Lights up when lights turned on.
7. (6) To turn ON/OFF lights.
8. (8) Indicates the accumulated time the system is running.

- 9. (9) Indicates the length of time left for delay off function.
- 10. (10) Lights up when auto-shutdown delay timer function is on.

A. ACTIVATING BLOWER FUNCTION:

- Option 1: Touch and hold down (+) for 1-2 seconds.
 - Option 2: Touch and hold down power sign (1) for 1-2 seconds. (The blower will be running at the same speed as last used).
- Note: The system saves user configurations, settings such as timer and blower (motor) speed will remain the same the next time it is turned on.*

B. ADJUSTING BLOWER SPEED:

- Touch and hold down (+) for increase.
- Touch and hold down (-) for decrease.

C. TURNING OFF THE BLOWER:

- Touch and hold down power sign (1) for 1-2 seconds.

D. TO TURN THE LIGHT ON/OFF:

- Touch Light button (6) once to turn on the lights, and once again to turn off the lights.

E. ADJUSTING THE TIMER FUNCTION:

- While the blower (motor) is not running, touch and hold Decrease Value button (2) over 3 seconds (until it's flashing) to enter timer mode.
- Adjust to desired period of delay off timer by touching Increase Value or Decrease Value **button (minimum 1 minute to maximum 15 minutes). This setting will be saved immediately.**

F. ACTIVATING THE TIMER FUNCTION:

- While the blower (motor) is running, touch and hold "Power" button (1) for over 3 seconds to activate delay off timer. *Power-Off Delay Timer Indicator (10) will light up and Power-Off Delay Digital Timer (9) will begin to countdown. When it reaches zero, the blower (motor) will shut down.*

G. TO CLEAR CLEANING REMINDER:

- When blower (motor) starts to rotate, cumulative running time will be shown in *Power-On Elapsed Digital Timer (8)*. This timer icon flashes when 30 hours is up and reminds user to clean the baffle filters.
- After cleaning the filters and when the motor is not in use, touch and hold (+) *Increase Value* button (7) over 3 seconds to reset the timer. Please note that turning off the system will not reset the *Power-On Elapsed Digital Timer (8)*.

12. SPECIFICATION

Body Design	Non-Magnetic 1.0 mm Stainless Steel, Satin Finish
Power Rating	120V/60Hz (USA & Canada standard)
General Input Power	158W (150W + 4x2W)
Motor Input Power	150 W each
Ampere	1.3 A
Levels Of Speed Control	4 Levels
Maximum Airflow	900CFM
Noise Level	Approximately 1.5 – 6.0 sones or 33 – 54 dB
Number Of Motors	Single Motor
Motor Type	Single Chamber Ultra Quiet
Fan Type	Squirrel Cage blower
Filtration Type	Heavy Duty Stainless Steel Baffle Filter
Illumination	4 LED lights, 2W Maximum/each
Venting Size	Top 6 inches Round
Interference Protection	Radio Frequency Interference Protected
Note	Specification subject to change without notice.

13. TROUBLESHOOTING

1. **If the range hood or lights does not operate after installation:**
 - Check if the range hood has been plugged in. Make sure that all power has been turned back ON. Check if the fuse is not blown and all electrical wiring is properly connected.
 - Swap out light assembly to working ones to determine whether it is caused by defective bulbs. See *replacing the light bulbs* on Page 13.
2. **The range hood vibrates when the blower is on:**
 - The range hood might not have been secured properly on to the ceiling or wall.
 - Check if the motor is secured in place. If not, then tighten the motor in place. Check if the blower wheel is damaged.
3. **The blower or fan seems weak:**
 - Check that the duct sized used is at least 6". Range hood WILL NOT function efficiently with insufficient duct size & loosely secured.
 - Check if duct is clogged or if damper unit (half-circular flapper) is not installed correctly or opening properly. A tight mesh on a side wall cap unit might also cause restriction to the air flow.
4. **The lights work but the blower is not spinning at all, is stuck or is rattling.**
 - The blower might be jammed or scraping the bottom due to shipping damage. Please contact us immediately.
 - The motor is defective, possibly seized - change the motor.
5. **The hood is not venting out properly:**
 - Make sure the distance between the stove top and the bottom of the hood is within 26" and 30" in distance. *Due to different ceiling height configurations, recommended height may not be applicable.*
 - Reduce the number of elbows and length of ductwork. Check if all joints are properly connected, sealed, and taped.
 - Make sure the power is on high speed for heavy cooking.
6. **The hood is noisier than normal**
 - The duct is not secure and causes vibration.
 - The smaller duct size than required is being used.
7. **Control panel is not active**
 - Check to make sure the auto function is not on.

14. USE & CARE INFORMATION

Operations:

- Read and understand all instructions and warnings in this manual before operating the appliance. Save these instructions for future reference.
- Always leave safety grills and filters in place. Without these components, operating blowers could catch on to hair, fingers and loose clothing.
- NEVER dispose cigarette ashes, ignitable substances, or any foreign objects into blowers.
- NEVER leave cooking unattended. When frying, oil in the pan can easily overheat and catch fire. The risk of self combustion is higher when the oil has been used several times.
- NEVER cook on "open" flames under the range hood. Check deep-fryers during use: Superheated oil may be flammable.

Cleaning:

- The saturation of greasy residue in the blower and filters may cause increased inflammability. Keep unit clean and free of grease and residue build-up at all times to prevent possible fires.
- **FILTERS MUST BE CLEANED PERIODICALLY AND FREE FROM ACCUMULATION OF COOKING RESIDUE.**
- DO NOT operate blowers when filters are removed. Never disassemble parts to clean without proper instructions. Disassembly is recommended to be performed by qualified personnel only. Read and understand all instructions and warnings in this manual before proceeding.

15. MAINTENANCE

SAFETY WARNING: Never put your hand into area housing the fan while the fan is operating! For optimal operation, clean range hood and all baffle/spacer /filter/grease tunnel/oil container regularly. Regular care will help preserve the appearance of the range hood.

Cleaning Exterior surfaces:

- Clean periodically with stainless steel cleaner or hot soapy water and clean cotton cloth. **Do not use corrosive or abrasive detergent (e.g. Comet Power Scrub®, EZ-Off® oven cleaner), or steel wool/scoring pads, which will scratch and damage the stainless steel surface.** For heavier soil use liquid degrease such as “Formula 409®” or “Fantastic®” brand cleaner.
- If hood looks splotchy (stainless steel hood), use a stainless steel cleaner to clean the surface of the hood. Avoid getting cleaning solution on or into the control panel. Follow directions of the stainless steel cleaner. **CAUTION:** Do not leave on too long as this may cause damage to hood finish. Use soft towel to wipe off the cleaning solution, gently rub off any stubborn spots. Use dry soft towel to dry the hood.
- After cleaning, you may use non abrasive stainless steel polish such as 3M® or ZEP®, to polish and buff out the stainless luster and grain. Always scrub lightly, with clean cotton cloth, and with the grain.
- **DO NOT** allow deposits to accumulate or remain on the hood.
- **DO NOT** use ordinary steel wool or steel brushes. Small bits of steel may adhere to the surface and cause rusting.
- **DO NOT** allow salt solutions, disinfectants, bleaches, or cleaning compounds to remain in contact with stainless steel for extended periods. Many of these compounds contain chemicals, which may be harmful. Rinse with water after exposure and wipe dry with a clean cloth.

Cleaning Grease Filter / Stainless Steel Filter less Grill:

IMPORTANT: Drain oil from oil containers before oil and residue overflow!

- The metal filters fitted by the factory are intended to filter out residue and grease from cooking. It needs not be replaced on a regular basis but are required to be kept clean.
- Filters should be cleaned after every 30 hours of use. Remove and clean by hand or dishwasher. Use proper degreasing detergent for stainless steel and leave to soak if heavily soiled. Dry filters and re-install before using hood.

16. LIMITED WARRANTY

XtremeAIR USA HOOD TEN (10) YEARS MOTOR LIMITED WARRANTY

XtremeAir USA Range Hood (hereunder called "The Company") warrants its product against defects in material or workmanship for the time periods and as set forth below.

Parts: For a period of two (2) years from the original date of purchase of product ("Parts Warranty"), The Company will supply new or equivalent replacement parts in exchange for parts determined to be defective. The motor warranty is extended for an additional eight (8) years to accumulate of ten (10) years total (motor only).

Labor: For a period of one (1) year from the original date of purchase of the product ("Labor Warranty"), if the product is determined to be defective, The Company will repair or replace the product, at its option, at no charge. After the Labor Warranty period, labor charges are applicable.

Warranty Performance: In the event of any malfunction or defect covered under the terms of this warranty, immediately contact the company. Written notice of any malfunction or defect must be given within 7 days of the time of the discovery of the malfunction and must be accompanied by the original consumer purchase receipt which shows the date of purchase unless product has been registered

Please complete the [Product Registration Card](#) and return it with the dated bill of sale or other evidence of the original proof of purchase within 30 days from purchase of the product to address shown below to protect your investment.

To obtain warranty service, the products must be delivered, freight prepaid, in either its original packaging or packaging affording an equal degree of protection to the company authorized service facility specified as below. The repaired unit will be returned at the company expense.

309 N. Harbor Blvd., Santa Ana, CA 92703, USA

For specific instructions on how to obtain warranty service for your product, Visit XtremeAir USA's Web Site:
www.XtremeAirUsa.com/Warranty/Service

Or call XtremeAir USA Customer Information Service Center: 1(714)554-9000

Repair / Replacement Warranty: This Limited Warranty shall apply to any repair, replacement part or replacement product for the remainder of the original Limited Warranty period. Any part or product replaced under this Limited Warranty will become the property of The Company.

This Limited Warranty only covers product issues caused by defects in material or workmanship during ordinary consumer use or non-transferable; it does not cover product issues caused by any other reason, including but not limited to product issues due to commercial use, acts of God, misuse, defects resulting from damages sustained during shipping, unauthorized repair, modification of or to any part of the XtremeAir product.

This Limited Warranty does not cover XtremeAir products sold AS IS or WITH ALL FAULTS, light bulbs, remote control, normal maintenance and service, costs of removal, installation. This Limited Warranty is invalid if the factory-applied serial number has been altered or removed from the product.

DISCLAIMERS

XtremeAir USA LLC shall not be responsible for loss of use or other incidental consequential costs, expenses or damages which may occur. Under no circumstances shall XtremeAir USA LLC or any of its representatives be held liable for injury to any person or damage to any property, however arising. This warranty gives you specific legal rights, and you may have other rights which vary from state to state.

All rights reserved to XtremeAir USA LLC

XtremeAIR Warranty 6.1.13