

PLATUS SERIES

Fire Clay Undermount Double Bowl with low wall

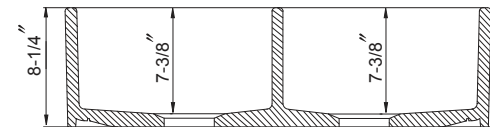
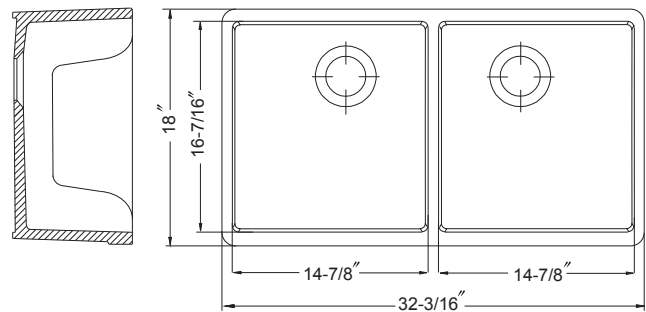
Model PTD-6400 WH - White
PTD-6400 BQ - Biscuit



FEATURES

- Non-porous glossy surface
- 7-3/8" depth
- 3-1/2" drain opening
- Chip, crack and scratch resistant
- 2 distinctive colors
- Fits 36" sink base
- Supplied with fasteners and instructions
- No cut out template is supplied as each sink dimension will vary due to the nature of fireclay manufacturing process.
- Lifetime Limited Warranty

PTD-6400



OPTIONAL COLORS



White

Biscuit

Color variations possible due to printing constraints.

OVERALL DIMENSIONS	EACH BOWL	PACKAGING*	WEIGHT*
32-3/16" x 18"	14-7/8" x 16-7/16"	1/10 pcs.	110/1140lbs.

*Standard packaging: Single boxed /Pallet of single boxed.

All dimensions are in inches. Specifications subject to change without notice.

OPTIONAL ACCESSORIES

Bottom Grid: BG-7050L (Left bowl),
BG-7050R (Right bowl)
Strainer : 190-9180

Project/Job name _____

Architect/Engineer _____

Contractor _____

Model _____ Q'ty _____

Notes _____