

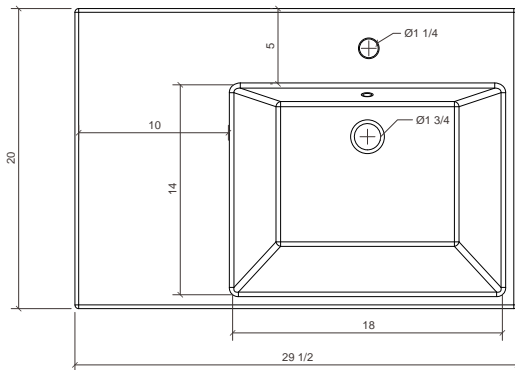
PS-506

FEATURES:

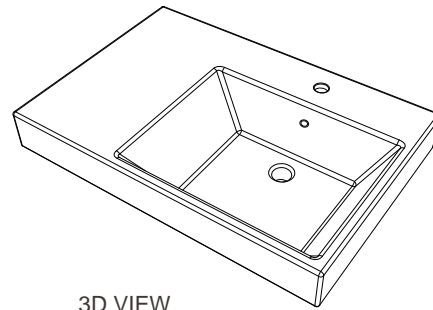
- * Sink Size: 29.5" x 20" x 7"
- * Material: Vitreous China
- * For Drop-In Sink Use
- * Recommended Drain: DS-001
- * Pre-drilled Holes For Faucets
- * For Use With Standard Pop Up Drain
- * Warranty: One Year Limited Warranty

CODES / STANDARDS APPLICABLE:

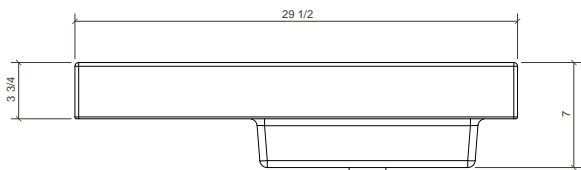
- * CSA B45
- * ASME A112.19.2



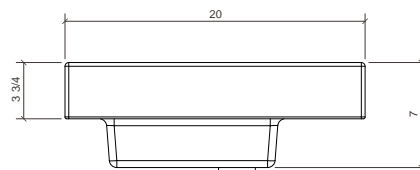
TOP VIEW



3D VIEW



FRONT VIEW



SIDE VIEW

JOB INFORMATION:

Job Name _____
 Date Specified _____
 Contractor _____

* Specifications and drawings provided on this sheet are for illustration only. Cantrio Koncepts will not be held responsible for cutouts made without the actual product or product template.