



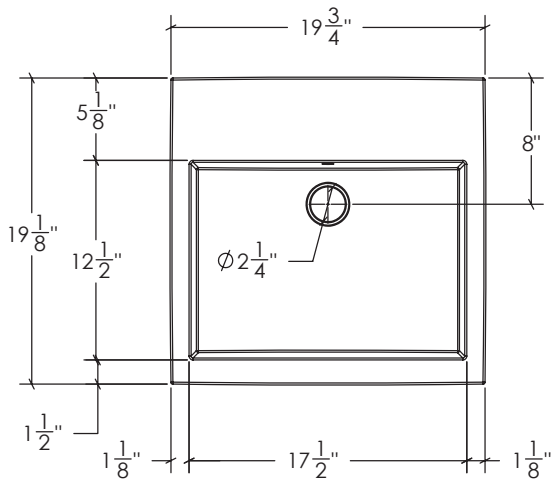
## PS-1919

### FEATURES:

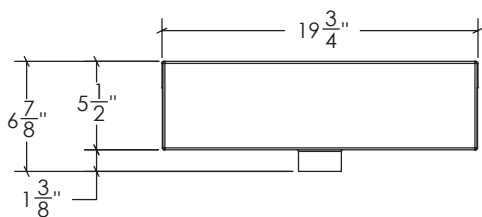
- \* Sink Size: 19 3/4" x 19 1/8" x 6 7/8"
- \* Material: Vitreous China
- \* Semi Cassa Sink with Deck Mount Hole
- \* Recommended Drain: DS-001
- \* For Faucets With Overflow
- \* For Use With Standard Pop Up Drain
- \* Warranty: One Year Limited Warranty

### CODES / STANDARDS APPLICABLE

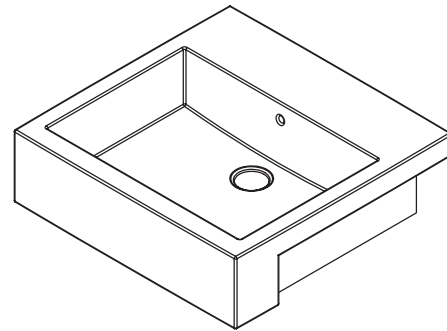
- \* CSA B45
- \* ASME A112.19.2



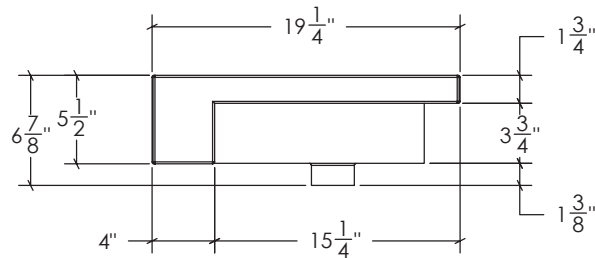
TOP VIEW



FRONT VIEW



3D VIEW



SIDE VIEW

## JOB INFORMATION:

Job Name \_\_\_\_\_

Date Specified \_\_\_\_\_

Contractor \_\_\_\_\_

\* Specifications and drawings provided on this sheet are for illustration only. Cantrio Koncepts will not be held responsible for cutouts made without the actual product or product template.