



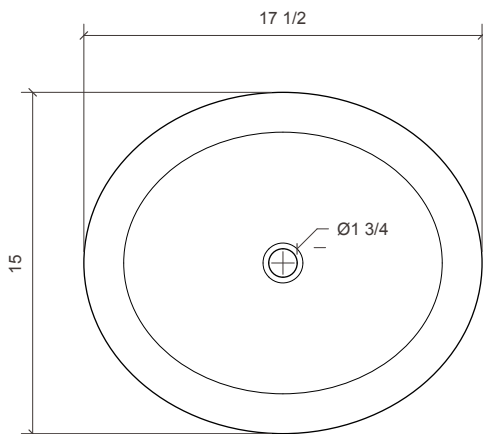
PS-186

FEATURES:

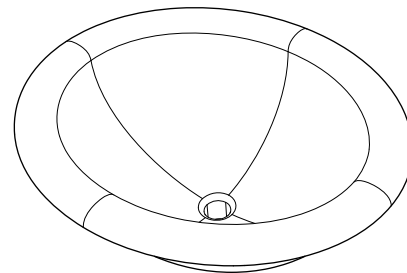
- * Sink Size: 17.5" x 15" x 7.25"
- * Material: Vitreous China
- * For Drop-In Sink Use
- * Recommended Drain: DS-003
- * For Use With Standard Pop Up Drain
- * Warranty: One Year Limited Warranty

CODES / STANDARDS APPLICABLE:

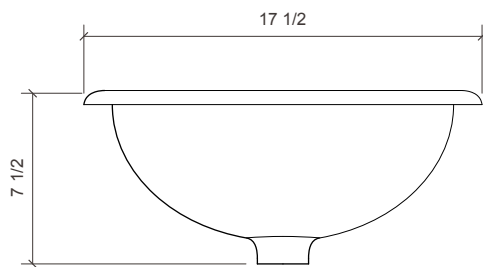
- * CSA B45
- * ASME A112.19.2



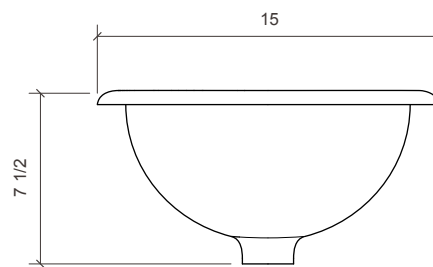
TOP VIEW



3D VIEW



FRONT VIEW



SIDE VIEW

JOB INFORMATION:

Job Name _____
 Date Specified _____
 Contractor _____

* Specifications and drawings provided on this sheet are for illustration only. Cantrio Concepts will not be held responsible for cutouts made without the actual product or product template.