



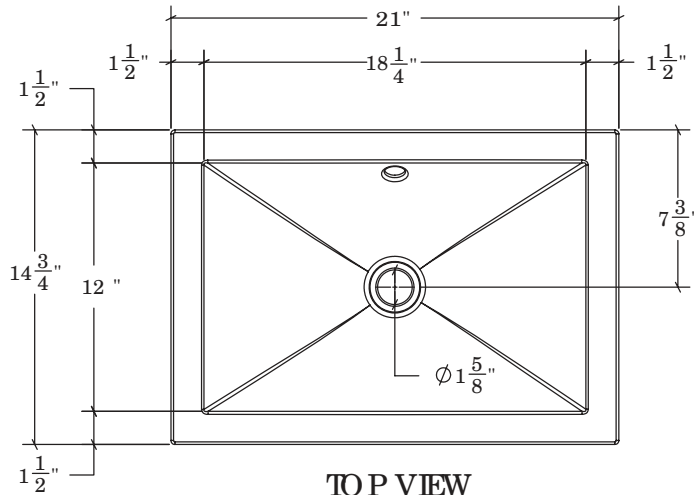
PS- 1 1 1

FEATURES:

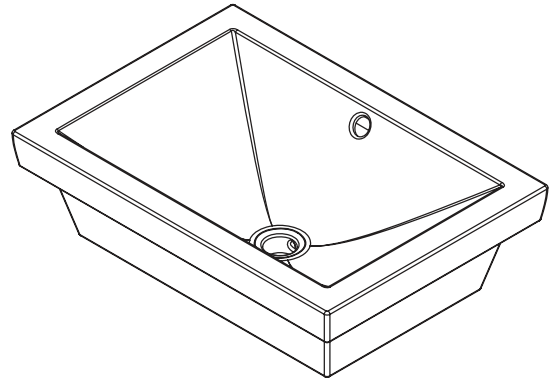
- * Sink Size : 21" x 14 3/4" x 6"
- * Material: Vitreous China
- * Counter Top Recessed Sink
- * Recommended Drain: DS-001
- * For Faucets With Overflow
- * For Use With Standard Pop Up Drain
- * Warranty: One Year Limited Warranty

CODES / STANDARDS APPLICABLE

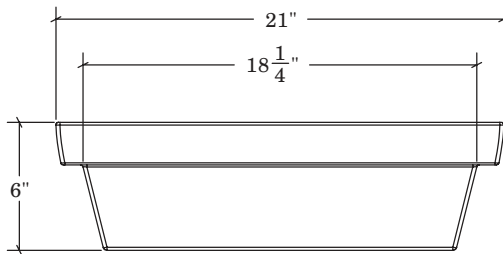
- * CSA B45
- * ASME A112.19.2



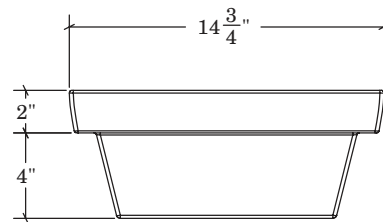
TOP VIEW



3D VIEW



FRONT VIEW



SIDE VIEW

JOB INFORMATION:

Job Name _____

Date Specified _____

Contractor _____

* Specifications and drawings provided on this sheet are for illustration only. Cantrio Koncepts will not be held responsible for cutouts made without the actual product or product template.