



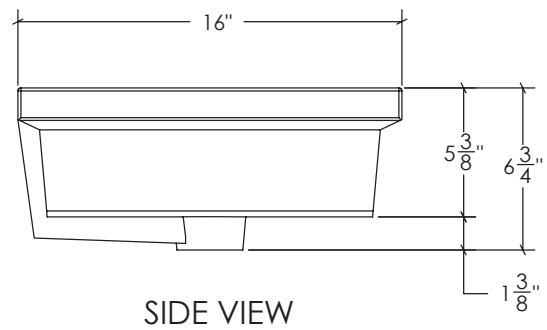
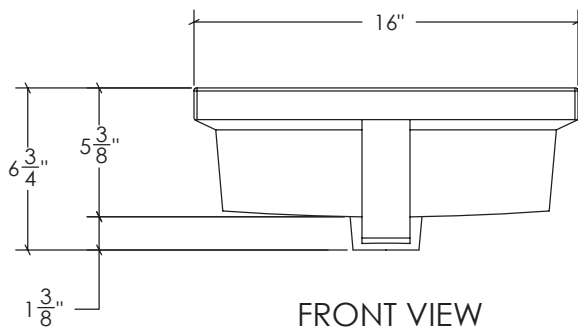
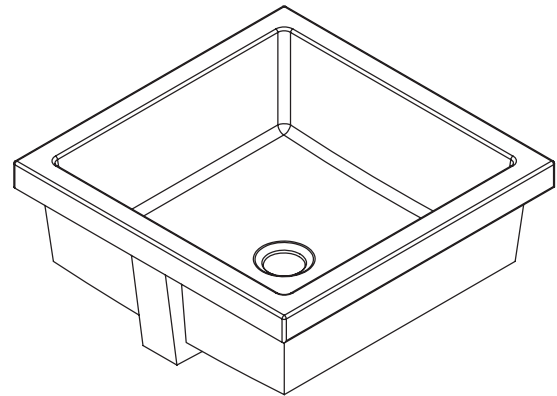
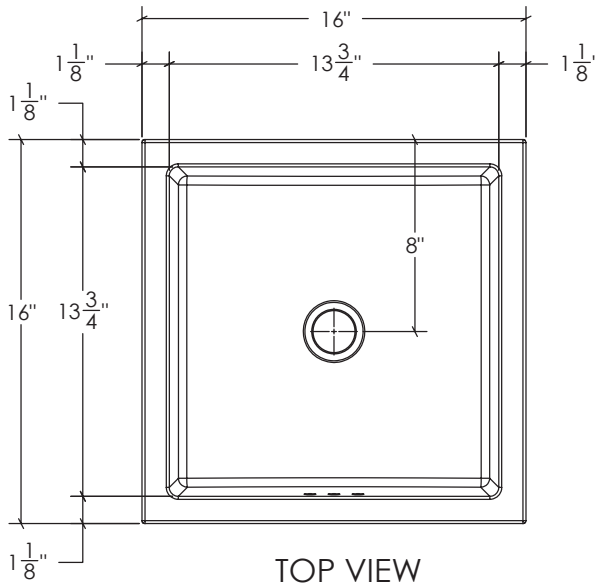
## PS-105

### FEATURES:

- \* Sink Size: 16" x 16" x 6 3/4"
- \* Material: Vitreous China
- \* For Under Counter Use
- \* Recommended Drain: DS-001
- \* For Faucets With Overflow
- \* For Use With Standard Pop Up Drain
- \* Warranty: One Year Limited Warranty
- \* Does Not Include Mounting Clips

### CODES / STANDARDS APPLICABLE

- \* CSA B45
- \* ASME A112.19.2



## JOB INFORMATION:

Job Name \_\_\_\_\_  
 Date Specified \_\_\_\_\_  
 Contractor \_\_\_\_\_

\* Specifications and drawings provided on this sheet are for illustration only. Cantrio Concepts will not be held responsible for cutouts made without the actual product or product template.