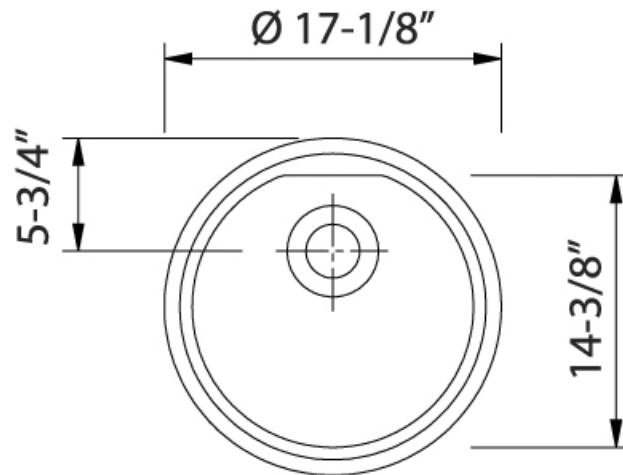


ATLANTIC 43.10

Code **PL4351**

100% ANTIBACTERIAL

LV1 - Ø 17-1/8" - Single basin round sink - DROP IN VERSION



- **Cut-out:** $\text{Ø } 16\text{-}1/8\text{"}$
- **Depth:** $7\text{-}7/8\text{"}$