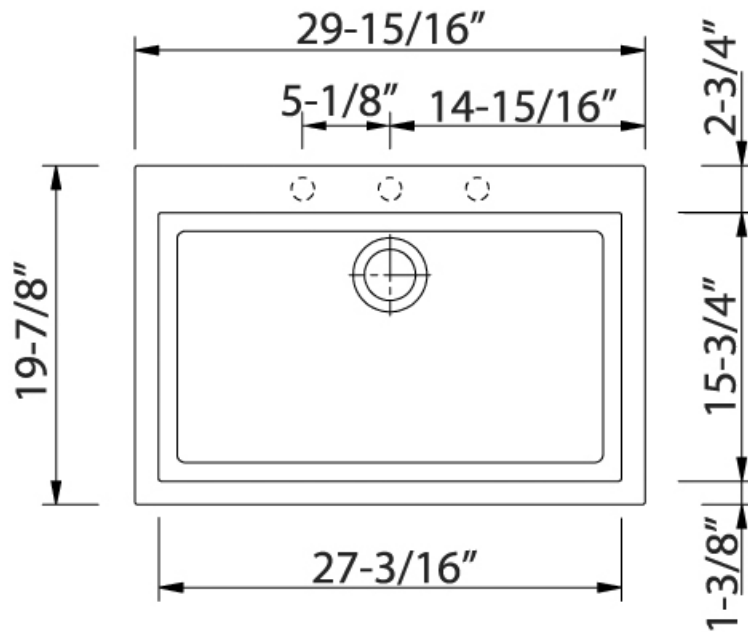


Code **ON7610**

100% ANTIBACTERIAL

LV1 - 29-15/16" x 19-7/8" - Single basin sink - **DROP IN VERSION**



- **Cut-out:** 29-1/8" x 18-7/8"
- **Depth:** 7-7/8"