

PO/JOB # \_\_\_\_\_  
 Customer name \_\_\_\_\_  
 Date \_\_\_\_\_

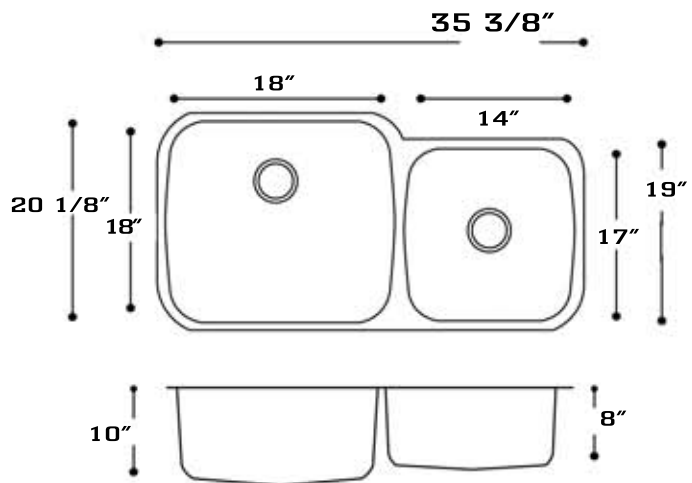


**NS3520-TB**

## Double Bowl NS3520-TB



Large Double offset bowl Kitchen sink.  
 Great contemporary design with the utility  
 of a 60/40 sink. Crafted from 304 18 gauge  
 Stainless Steel with a satin finish. Nantucket  
 Sinks are sprayed with a special insulation to  
 reduce condensation. Rubber padding is applied  
 for noise reduction.



\*Grids available for almost all sink bowls, some exceptions exist\*