



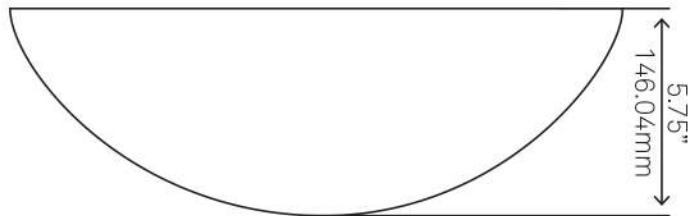
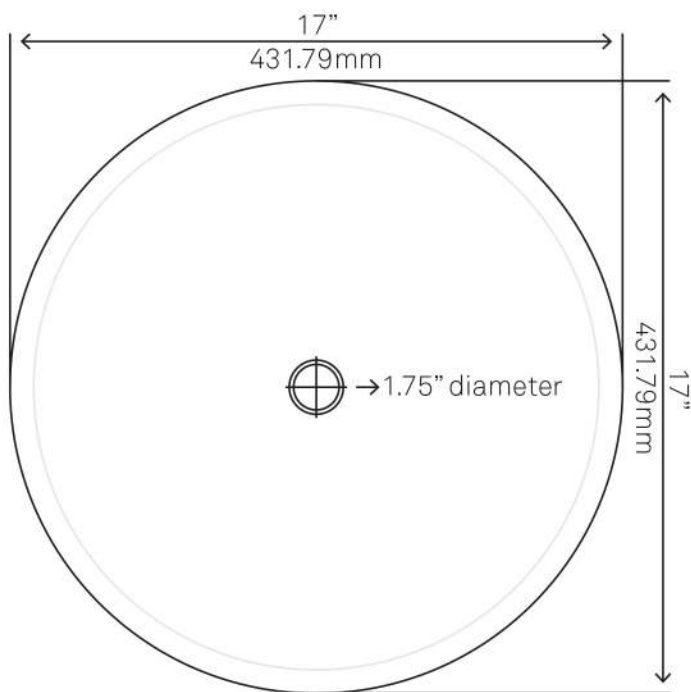
## NOSV-CM Coffee Marble Vessel Sink

Requested By:

---

Specific Features:

---



### STANDARD SPECIFICATIONS:

- Round marble vessel sink
- Natural marble stone
- Artisan hand crafted
- Above counter installation
- No mounting ring required
- Outside Dimension: 17-inches
- Inside Dimension: 15.75-inches
- Height: 5.75-inches
- Standard U.S. plumbing connections
- Item weight: 24lbs
- Consistent in color

### WARRANTY:

Limited lifetime warranty

- See [www.Novatto.com](http://www.Novatto.com) for details

### COORDINATING ACCESSORIES:

- UPD-BN/CH/ORB/MB Umbrella drain
- Glacier Ice Restoration and Sealer kit

### NOTES



Novatto reserves the right (1) to make changes in specifications and materials, and (2) to change or discontinue models, both without notice or obligation. Dimensions are for reference only, see [www.novatto.com](http://www.novatto.com) for finish options and product availability.

Novatto Inc  
TOLL FREE 844.404.4242  
[www.Novatto.com](http://www.Novatto.com)