

# LENOVA

4580 W Roosevelt Rd Hillside, IL 60162 [www.Lenovasinks.com](http://www.Lenovasinks.com) Phone: 877-733-1098

## SPECIFICATIONS

**MODEL NG-AP-S30BK(Black)  
NG-AP-S30WE(Antique White)**

### GENERAL

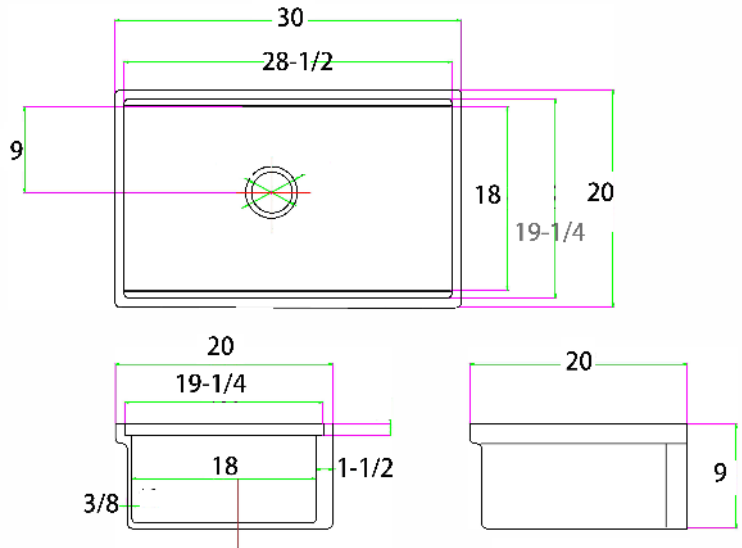
Fine quality sink formed of 85% Granite Composite and 15% Environmental Technology Resin.

### DESIGN FEATURES

Bowl depth 9" with inside bowl dimensions 28-1/2" X19-1/4", and over all 30" X 20"

**Finish Color:** Matte Black (NG-AP-S30BK) and Antique White (NG-AP-S30WE).

**Other:** Drain opening 3 1/2".



A-SS-01



A-SS-02



A-SS-11



A-SS-12

Minimum cabinet size 30"

Product shall be specified as NG-AP-S30BK (Black Color), NG-AP-S30WE (Antique White Color)

### OPTIONAL ACCESSORIES:

Sink Drain: A-SS-01, A-SS-02, A-SS-11(Match NG-AP-S30BK Color), A-SS-12(Match NG-AP-S30WE Color)

### Warranty:

Limited Life Time warranty against manufacturer defects and craftsmanship.

### Codes/Standards Applicable:

ASME A112.19.3/CSA B45.4