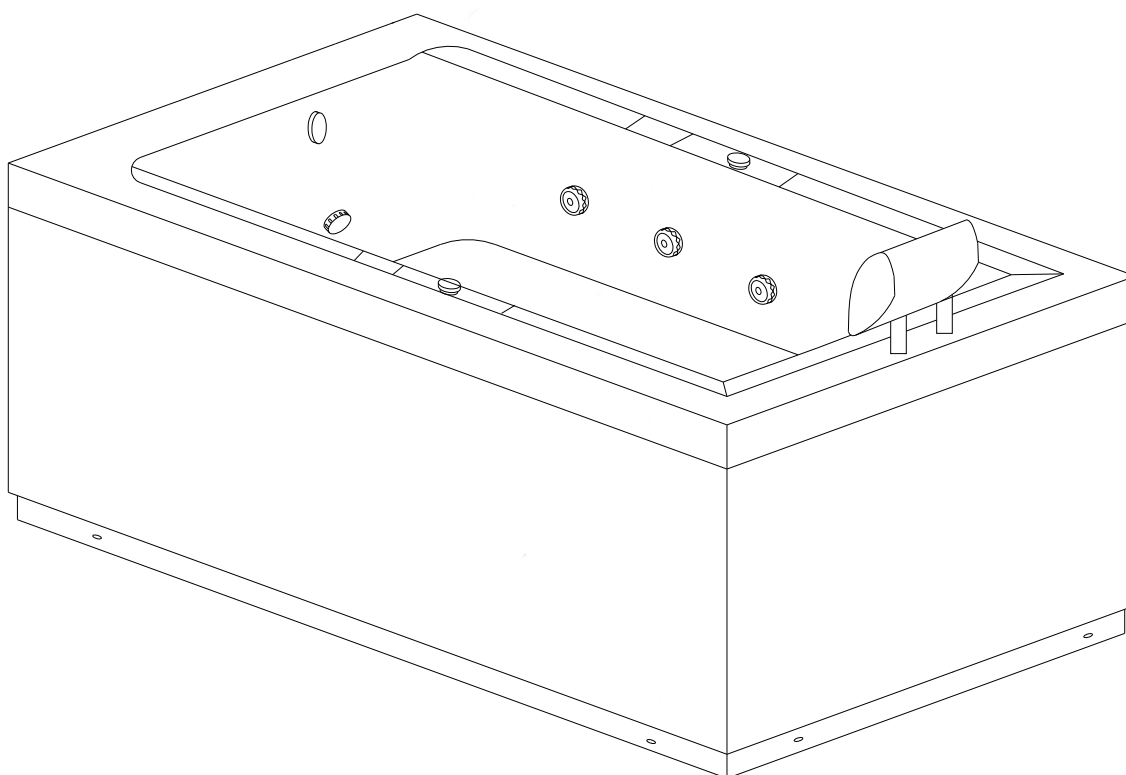




INSTALLATION AND OWNER'S MANUAL



Whirlpool Bathtub Model Number: **A620-L**

Please carefully read these instructions before you begin to install the products.

07/11 Rev A
P/N:100056-04

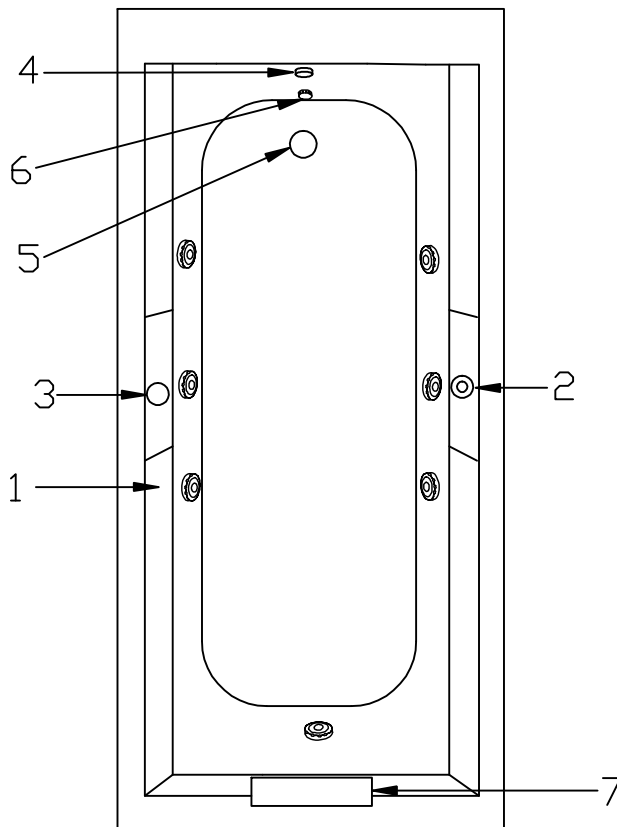
Before you start

Thank you for purchasing your Aston whirlpool bathtub. We hope that it will provide you with years of satisfying use and enjoyment.

Please read this manual carefully because it contains information and instructions about the proper installation of the unit. If you do not follow certain conditions of installation and maintenance, your warranty may be affected.

Aston whirlpool bathtubs feature:

- Air switch pump control
- Massaging whirlpool jets
- Easy maintenance durable fiberglass reinforced acrylic
- Air control knob



- 1. Whirlpool Jets
- 2. Air switch
- 3. Air control knob
- 4. Overflow

- 5. Drain
- 6. Suction cover
- 7. Pillow