

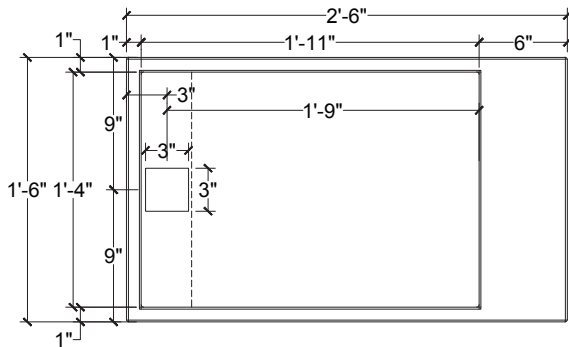
# MMA-30184

**FEATURES:**

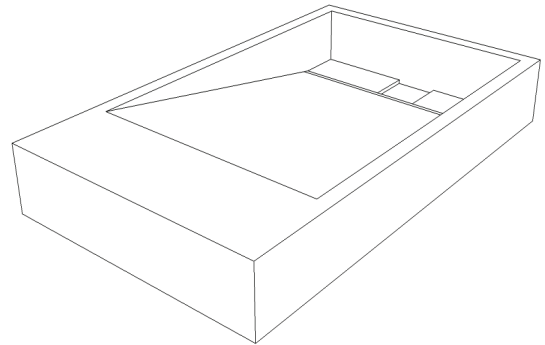
- \* Sink Size: 30" x 18" x 4"
- \* Material: SolidTech
- \* Above Counter Sink
- \* Recommended Drain: DS-003
- \* For Use With Standard Pop Up Drain
- \* Warranty: One Year Limited Warranty

**CODES / STANDARDS APPLICABLE**

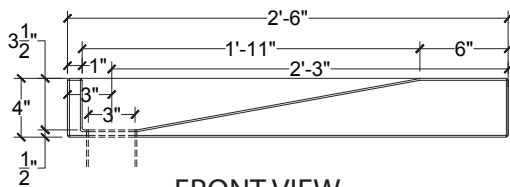
- \* CSA B45
- \* ASME A112.19.2



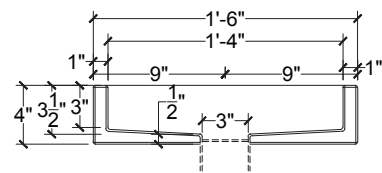
TOP VIEW



3D VIEW



FRONT VIEW



SIDE VIEW

## JOB INFORMATION:

Job Name \_\_\_\_\_  
 Date Specified \_\_\_\_\_  
 Contractor \_\_\_\_\_

\* Specifications and drawings provided on this sheet are for illustration only. Cantrio Concepts will not be held responsible for cutouts made without the actual product or product template.