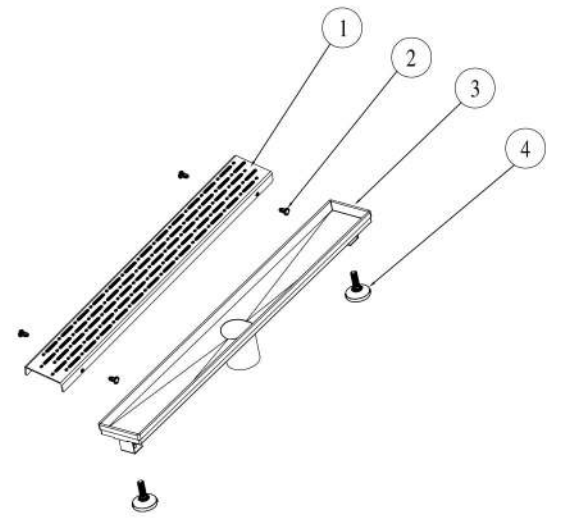
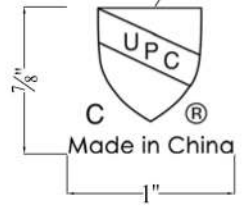


SECTION A-A



- 12": 5036mm²
- 24": 10072mm²
- 32": 13675mm²
- 36": 15108mm²
- 47": 20290mm²

** stand for the length 12",24",32",36",47"and so on

NO	DESCRIPTION	QTY	MATERIAL	SIZE
1	Linear drain cover	1	SUS304	**X2 ³ / ₄ "X3 ¹ / ₄ "(14G)
2	plastic connectors	4	PP	∅3 ³ / ₈ "X9 ⁹ / ₁₆ "
3	Linear drain stand	1	SUS304	**X3"X3 ³ / ₈ "(18G)
4	mounting brackets	2	composite material	∅1 ¹ / ₁₆ "X1 ¹ / ₁₆ "

Kaiping Dawn Plumbing Products,Inc

Type:	Shower Linear drain	Material:	SUS304
Model:	LRO**0304	Feature:	18/8 Chrome-Nickel
Size/Overall:			Polished, Stain Finish
Scale:			
Design:	Ming		
Drawn:	Yang		
Date:	2015-12-07	Logo:	<i>Dawn</i> - laser-etching
Manufacture Date:		Approved:	