

# KWU111-17

## 17 Inch Undermount Workstation Single Bowl Stainless Steel Kitchen Sink

# Kräus<sup>®</sup>

SPECIFICATION SHEET

### Sink Dimensions

Overall Dimensions: 17" x 19"

Bowl Dimensions: 15" x 16"

Sink Depth: 10"

### Features

- 16 Gauge Stainless Steel Construction
- Undermount Single Bowl Sink
- Required Minimum Cabinet Size: 21" Left to Right, 24" Front to Back
- Rear Off-Set Drain
- 3 1/2" Drain Opening
- NoiseDefend Undercoating and Sound Dampening Pads

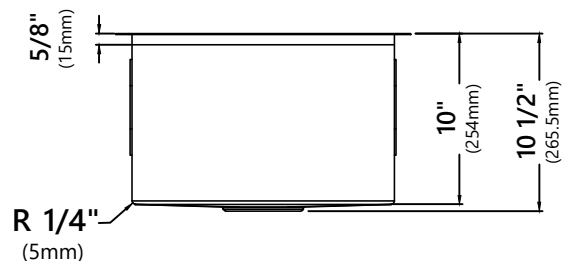
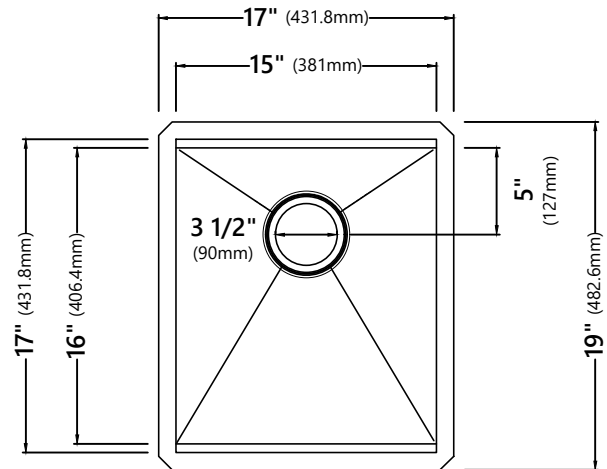
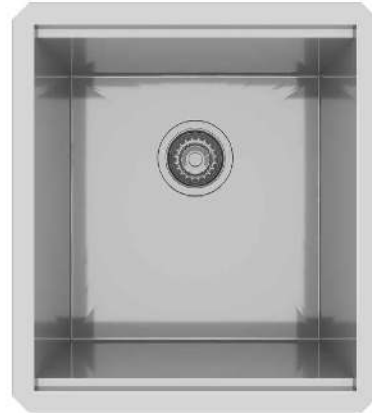
### Accessories Included

- Strainer ST-1
- Cover Cap STC-2
- Bottom Grid KBG-WSU1-17
- Cutting board KCB-WS03BB
- Cut-Out Template
- Mounting Hardware

### CODES/STANDARDS:

#### Product Certification

cUPC (ASME A112.19.3/CSA B45.4)



**NOTE:** It is not recommended to install this sink with a negative reveal. Doing so will prohibit the use of any workstation accessories as they will not fit.

### Warranty

Kraus Limited Lifetime Warranty

see website for details [www.kraususa.com](http://www.kraususa.com)

Kraus USA Customer Service

1.800.775.0703 | [customerservice@kraususa.com](mailto:customerservice@kraususa.com)

REV. January 26, 2021

## KBG-WSU1-17

### Stainless Steel Kitchen Sink Bottom Grid

#### Grid Dimensions

Overall Dimensions: 14 5/8" x 15 5/8" x 7/8"

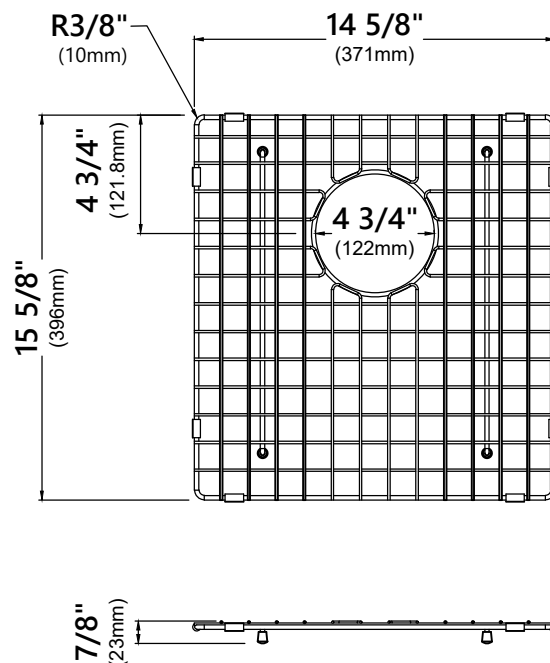
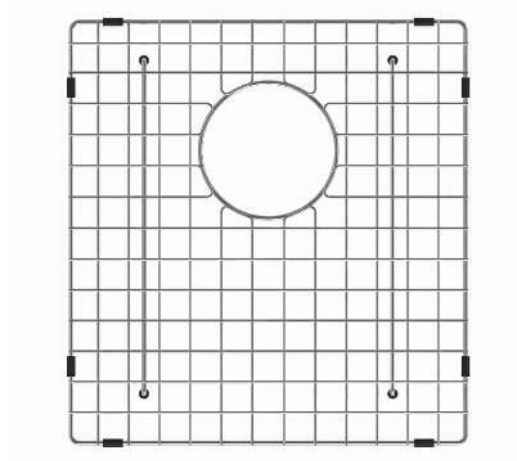
#### Features

- Commercial grade stainless steel construction
- For Use with the KWU111-17 kitchen sink
- Protects bottom of sink from daily wear and tear
- Rubber feet provide additional protection

#### Warranty

Kraus One Year Limited Warranty

see website for details [www.kraususa.com](http://www.kraususa.com)



## ST-1

### Stainless Steel Kitchen Sink Strainer

#### Strainer Dimensions

Overall Dimensions:  $\phi 4 \frac{1}{2}''$  x  $3 \frac{3}{4}''$

#### Features

- Premium Stainless Steel construction
- Fits Standard  $3 \frac{1}{2}''$  or  $4''$  Drain Opening
- Open/Close Stopper Prevents Debris from Clogging Drain Pipe

#### Available Finishes

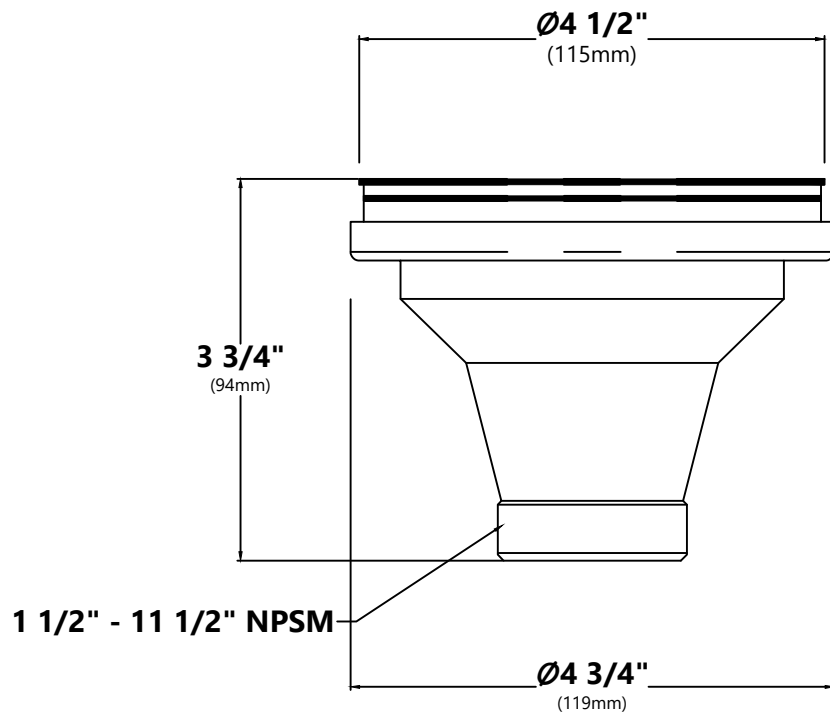
- Stainless Steel



#### Warranty

Kraus Limited Lifetime Warranty

see website for details [www.kraususa.com](http://www.kraususa.com)



## STC-2

### Removable Decorative Drain Cover

#### Drain Cap Dimensions

Overall Dimensions:  $\varnothing 4\ 1/2"$  x  $5/8"$

#### Features

- Premium Stainless Steel Construction
- Fits Standard  $3\ 1/2"$  Drain Opening
- Allows Water to Drain Easily When Installed
- Conceals Garbage Disposal and Waste Fittings for a Seamless Look
- Compatible with Standart Pro™, Pax™, Kore™, Outlast Microshield™ and Premier™ Kitchen sinks

#### Available Finishes

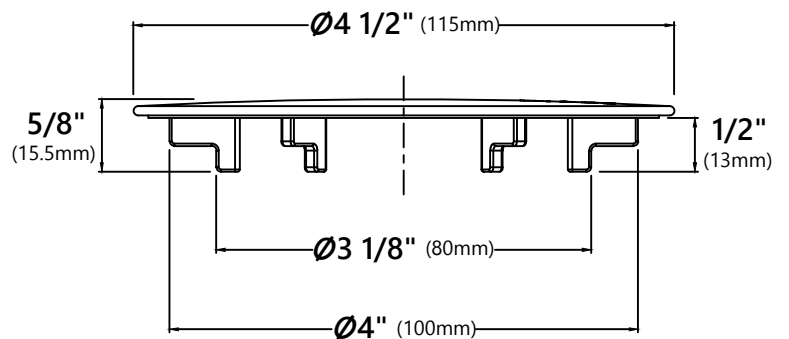
- Stainless Steel
- PVD Gunmetal



#### Warranty

Kraus Limited Lifetime Warranty

see website for details [www.kraususa.com](http://www.kraususa.com)



## KCB-WS03

### Cutting Board

#### Cutting Board Dimensions

Overall Dimensions: 14 3/4" x 16 3/4" x 3/4"

#### Features

- Designed to Use Over the Sink and On the Counter
- Designed to Use with KWU111-17 kitchen sink
- BPA-free and FDA-approved
- Outer Groove Traps Liquids to Prevent Messy Counter

**NOTE:** Each piece may feature unique color variations

#### Warranty

Kraus One Year Limited Warranty

see website for details [www.kraususa.com](http://www.kraususa.com)

