

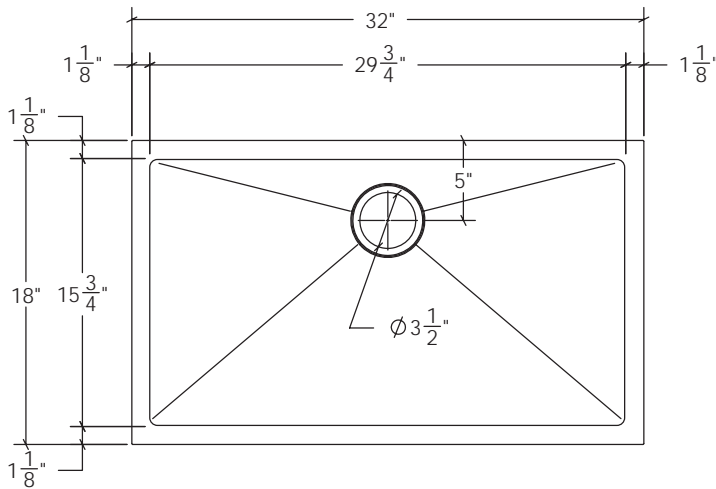
# KSS-104

**FEATURES:**

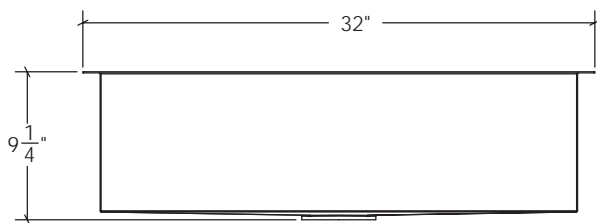
- \* Sink Size: 32" x 18" x 9"
- \* Material: 304 Stainless Steel, 18 Gauge
- \* Single Basin Undermount 10mm Radius Sink
- \* Handmade construction
- \* Strainer Drain Provided
- \* Warranty: Limited Lifetime Warranty

**CODES / STANDARDS APPLICABLE**

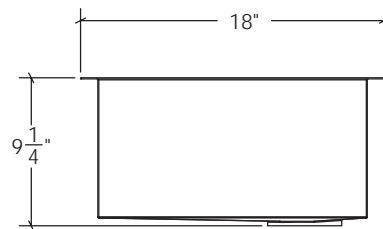
- \* CSA B45
- \* ASME A112.19.2



TOP VIEW



FRONT VIEW



SIDE VIEW

## JOB INFORMATION:

Job Name \_\_\_\_\_  
 Date Specified \_\_\_\_\_  
 Contractor \_\_\_\_\_

\* Specifications and drawings provided on this sheet are for illustration only. Cantrio Koncepts will not be held responsible for cutouts made without the actual product or product template.