



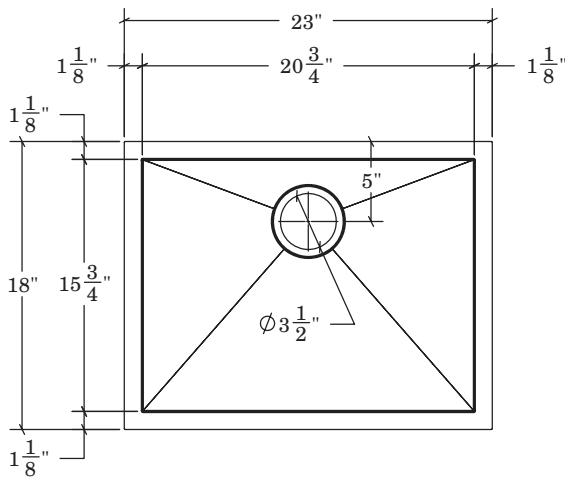
KSS-005

FEATURES:

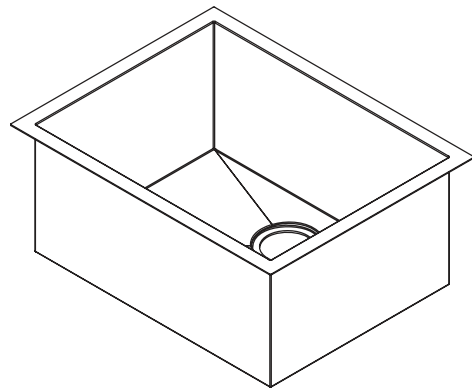
- * Sink Size : 23" x 18" x 10 1/4"
- * Material: 304 Stainless Steel, 18 Gauge
- * Chrome Nickel content 18 / 10
- * Single Basin Undermount 0 Radius Sink
- * Strainer Drain Provided
- * Warranty: Limited Lifetime Warranty

CODES / STANDARDS APPLICABLE

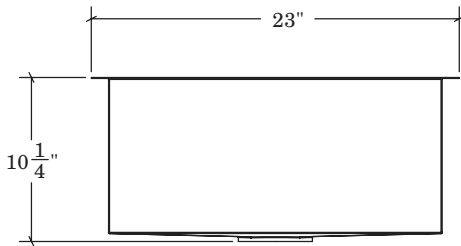
- * CSA B45
- * ASME A112.19.2



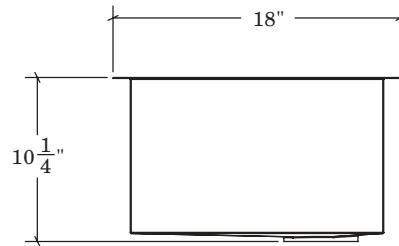
TOP VIEW



3D VIEW



FRONT VIEW



SIDE VIEW

JOB INFORMATION:

Job Name _____

Date Specified _____

Contractor _____

* Specifications and drawings provided on this sheet are for illustration only. Cantrio Koncepts will not be held responsible for cutouts made without the actual product or product template.